

ROLLER'S Axial-Press 40 Ni-Cd

Teilverzeichnis

Aktueller Stand
siehe www.albert-roller.de

Spare parts list

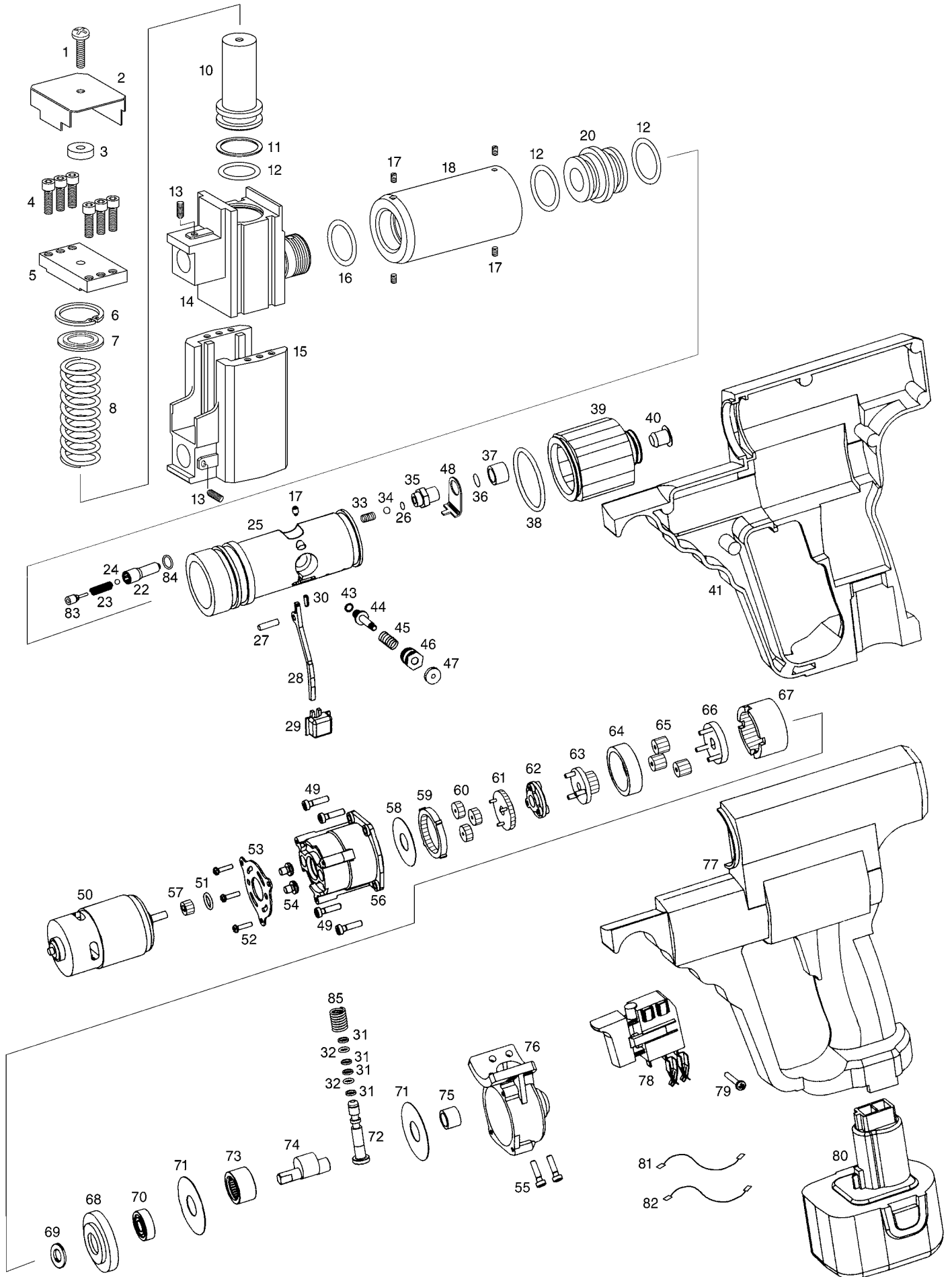
Latest version
see www.albert-roller.de

Liste des pièces

Situation actuelle
voir www.albert-roller.de

Elenco dei pezzi

Ultimo aggiornamento
vedi www.albert-roller.de



ROLLER'S Axial-Press 40 Ni-Cd

	deu	eng	fra	ita	
1	Linsenschraube	Fillister head screw	Vis tête fraisée bombée	Vite a testa svasata con perno	083179
2	Schutz	Protector	Protection	Protezione	573213R
3	Buchse	Bush	Douille	Boccola	573211R
4	Zylinderschraube	Fillister head screw	Vis à tête cylindrique	Vite a testa cilindrica	081021
5	Druckplatte	Pressure plate	Plaque d'appui	Piastra di pressione	573206R
6	Sprengring	Snap ring	Jonc	Rondella	059104
7	Scheibe	Washer	Rondelle	Ranella	573207
8	Druckfeder	Pressure spring	Ressort de compression	Molla di compressione	573212R
10	Vorschubkolben	Feed piston	Piston d'avance	Pistone d'avanzamento	573203R
11	Stützring	Back-up ring	Bague d'appui	Rondella d'appoggio	060245
12	O-Ring	Locking ring	Joint torique	Guarnizione O-Ring	060244
13	Feder-Druckstück	Spring-thrust piece	Ressort-pièce de compression	Molla-pezzo di compressione	061053
14	Führungszyylinder	Guiding cylinder	Cylindre de guidage	Cilindro di guida	573201R
15	Führungsgehäuse	Guiding housing	Carcasse de guidage	Carcassa di guida	573208R
16	O-Ring	Locking ring	Joint torique	Guarnizione O-Ring	060251
17	Gewindestift	Grub screw	Vis sans tête	Perno filettato	084072
18	Hülse	Bushing	Douille	Astuccio	573209AST
20	Dichtkolben	Sealing piston	Piston d'étanchéité	Pistone ermetico	573210R
—	Ersatz Ventil Druckseite Pos. 22–24, 83 und 84	Valve pressure side Pos. 22–24, 83 and 84	Soupape coté pression Pos. 22–24, 83 et 84	Valvola lato di pressione Pos. 22–24, 83 e 84	571278R
—	Hydraulikblock Standard kompl. Pos. 11, 12, 17, 22–26, 30, 33–40, 43–48	Hydraulic block Standard compl. Pos. 11, 12, 17, 22–26, 30, 33–40, 43–48	Bloc hydraul. Standard compl. Pos. 11, 12, 17, 22–26, 30, 33–40, 43–48	Blocco idraulico Standard compl. Pos. 11, 12, 17, 22–26, 30, 33–40, 43–48	571240
27	Zylinderstift	Straight pin	Tige cylindrique	Spina cilindrica	088189
28	Hebel	Lever	Levier	Leva	571208R
29	Betätigungsknopf	Actuating button	Bouton d'actionnement	Pulsante d'azionamento	571214R
30	Spiralspannstift	Spiral pin	Goupille spiralée	Spina elastica	088120
31	Stützring	Back-up ring	Bague d'appui	Rondella d'appoggio	060264
32	O-Ring	Locking ring	Joint torique	Guarnizione O-Ring	060258
33	Druckfeder	Pressure spring	Ressort de compression	Molla di compressione	061049
34	Stahlkugel	Steel ball	Bille d'acier	Sfera di acciaio	057046
—	Ventilschraube Saugseite Pos. 26, 33–37 und 48	Valve screw suction side Pos. 26, 33–37 and 48	Vis de soupape coté aspiration Pos. 26, 33–37 et 48	Vite a valvola lato d'aspirazione Pos. 26, 33–37 e 48	571229R
38	O-Ring	Locking ring	Joint torique	Guarnizione O-Ring	060015
39	Ausgleichsbehälter	Compensating reservoir	Reservoir de compensation	Contentitore di compensazione	571212R
40	Stopfen mit Stabmagnet	Plug with magnet	Bouchon avec magnet	Tappo con calamita	571249R
—	Gehäuseschalen Pos. 47 und 77	Housing shells Pos. 47 and 77	Coquille carcasse Pos. 47 et 77	Calotta carcassa Pos. 47 e 77	571503R
43	O-Ring	Locking ring	Joint torique	Guarnizione O-Ring	060241
—	Überdruckventil Pos. 43–47	Valve body Pos. 43–47	Corps de soupape Pos. 43–47	Corpo valvola Pos. 43–47	571228
49	Linsenschraube	Fillister head screw	Vis tête fraisée bombée	Vite a testa svasata con perno	083137
—	Motor kompl. Pos. 50, 53, 54 und 57	Motor compl. Pos. 50, 53, 54 and 57	Moteur compl. Pos. 50, 53, 54 et 57	Motore compl. Pos. 50, 53, 54 e 57	575500R12
51	O-Ring	Locking ring	Joint torique	Guarnizione O-Ring	060253
52	Linsenschraube	Fillister head screw	Vis tête fraisée bombée	Vite a testa svasata con perno	083134
55	Zylinderschraube	Fillister head screw	Vis à tête cylindrique	Vite a testa cilindrica	081123
—	Planetengetriebe Pos. 49, 51, 52, 56, 58–67	Planetary gear drive Pos. 49, 51, 52, 56, 58–67	Engrangement planétaire Pos. 49, 51, 52, 56, 58–67	Ingranaggio planetario Pos. 49, 51, 52, 56, 58–67	571235
—	Pumpe kompl. Pos. 31, 32, 55, 68–76, 85	Pump compl. Pos. 31, 32, 55, 68–76, 85	Pompe compl. Pos. 31, 32, 55, 68–76, 85	Pompa compl. Pos. 31, 32, 55, 68–76, 85	571220
—	Schalter mit Leitung Pos. 78, 81 und 82	Switch with cable Pos. 78, 81 and 82	Interrupteur avec cable Pos. 78, 81 et 82	Interruttore con cavo Pos. 78, 81 e 82	575528R
79	Blechschrabe	Sheet metal screw	Vis à tôle	Vite da lamiera	083064
80	ROLLER'S Akku 12 V, 2,0 Ah Ni-Cd	ROLLER'S Akku 12 V, 2,0 Ah Ni-Cd	ROLLER'S Akku 12 V, 2,0 Ah Ni-Cd	ROLLER'S Akku 12 V, 2,0 Ah Ni-Cd	571510A12