

ROLLER'S Multi-Press XL 45kN 22V ACC

Teileverzeichnis

Aktueller Stand
siehe www.albert-roller.de
weitere Teile auf Anfrage

Spare parts list

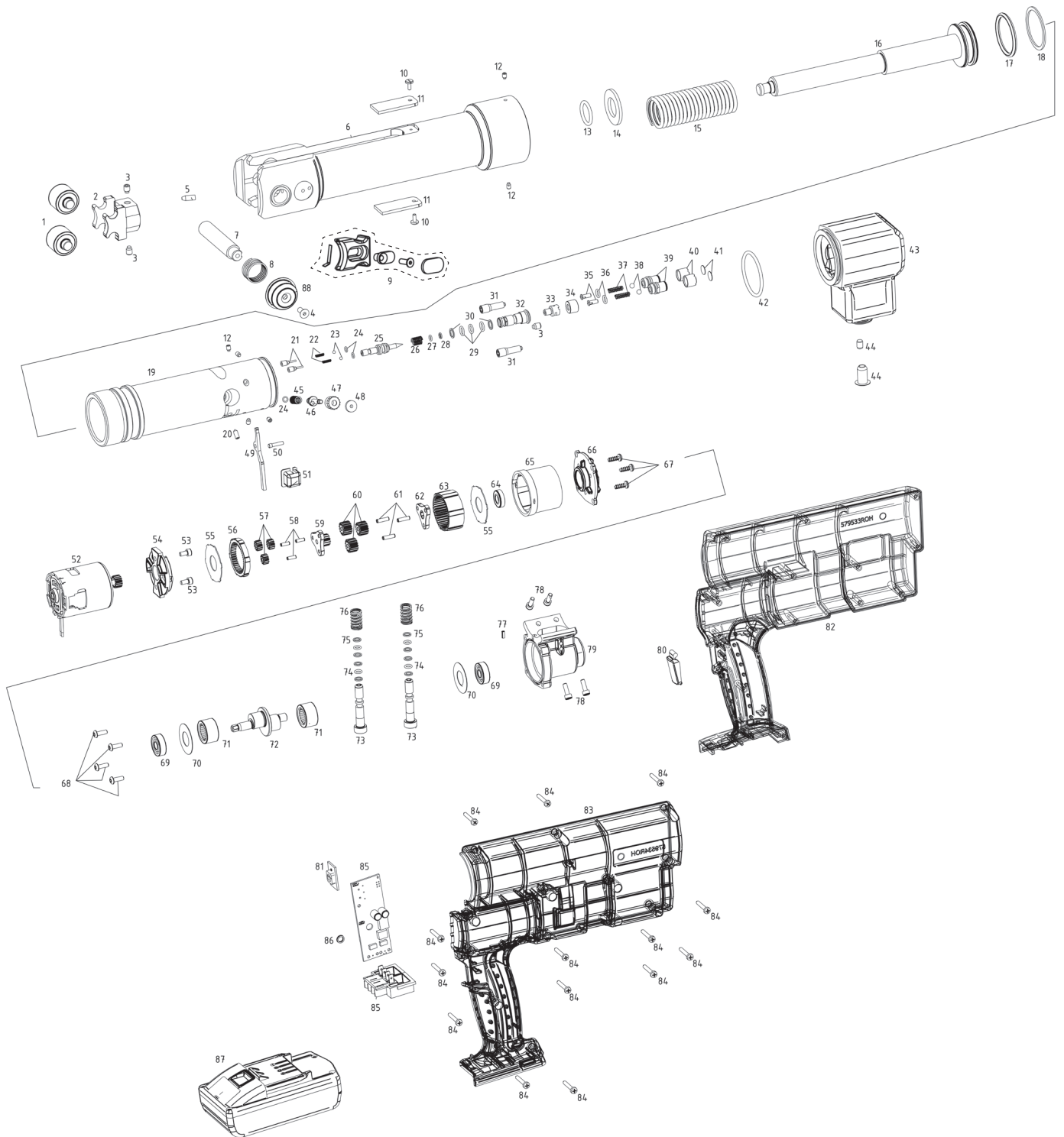
Latest version
see www.albert-roller.de
other parts on request

Liste des pièces

Situation actuelle
voir www.albert-roller.de
autres pièces sur demande

Elenco dei pezzi

Ultimo aggiornamento
vedi www.albert-roller.de
altri ricambi su richiesta



ROLLER'S Multi-Press XL 45kN 22V ACC

| | deu | eng | fra | ita | |
|----|--|--|--|--|-----------|
| — | Rollenträger kompl. XL Pos. 1–3 | Roller holder compl. XL Pos. 1–3 | Support galets compl. XL Pos. 1–3 | Portarulli compl. XL Pos. 1–3 | 579557R |
| — | Antriebsgehäuse + Verriegelung Multi-Press XL 45kN Pos. 5–13 | Drive housing + locking Multi-Press XL 45kN Pos. 5–13 | Carcasse + verrouillage Multi-Press XL 45kN Pos. 5–13 | Carcassa ingranaggio Multi-Press XL 45kN Pos. 5–13 | 579555A |
| 9 | Presszangenverriegelung mit Pos. 88 | Tongs lock with Pos. 88 | Verrouillage avec Pos. 88 | Perno fissaggio pinza con Pos. 88 | 571299R |
| — | Vorschubkolben kompl. Multi-Press XL 45kN Pos. 14–18 | Feed piston compl. Multi-Press XL 45kN Pos. 14–18 | Piston d'avance compl. Multi-Press XL 45kN Pos. 14–18 | Pistone d'avanzamento compl. Multi-Press XL 45kN Pos. 14–18 | 579556R |
| 15 | Druckfeder | Pressure spring | Ressort de compression | Molla di compressione | 579226R |
| — | Ringsatz Multi-Press XL 45kN Pos. 17, 18, 74, 75 | Ring set Multi-Press XL 45kN Pos. 17, 18, 74, 75 | Jeu de joints Multi-Press XL 45kN Pos. 17, 18, 74, 75 | Set anelli Multi-Press XL 45kN Pos. 17, 18, 74, 75 | 579539R |
| — | Hydraulikblock kompl. XL 45kN, Pos. 19–48 | Hydraulic block compl. XL 45kN, Pos. 19–48 | Bloc hydraulique compl. XL 45kN, Pos. 19–48 | Blocco idraulico compl. XL 45kN, Pos. 19–48 | 579540R |
| 42 | O-Ring | Locking ring | Joint torique | Guarnizione O-Ring | 060386 |
| 43 | Ausgleichsbehälter | Compensating reservoir | Reservoir de compensation | Contentitore di compensazione | 579542ROH |
| 44 | Stopfen mit Stabmagnet | Plug with magnet | Bouchon avec magnet | Tappo con calamita | 571249R |
| 49 | Hebel XL 45kN | Lever XL 45kN | Levier XL 45kN | Leva XL 45kN | 579251R |
| 50 | Stift | Pin | Goupille | Perno | 579254R |
| 51 | Betätigungsknopf XL 45kN | Actuating button XL 45kN | Bouton d'actionnement XL 45kN | Pulsante d'azionamento XL 45kN | 579252ROH |
| 52 | Gleichstrommotor mit Ritzel | D.C. Motor with pinion | Moteur à courant continu avec pignon | Motore monofasico con pignone | 576116R22 |
| — | Planetengetriebe kompl. Pos. 54–65 | Planetary gear drive compl. Pos. 54–65 | Engranaage planetaire compl. Pos. 54–65 | Ingranaggio planetario compl. Pos. 54–65 | 576330R |
| 53 | Zylinderschraube | Fillister head screw | Vis tête cylindrique | Vite a testa cilindrica | 081001 |
| 54 | Motorflansch | Motor flange | Flasque du moteur | Flangia motore | 576151ROH |
| — | Pumpe kompl. Multi-Press XL 45kN Pos. 68–72, 77–79 | Pump compl. Multi-Press XL 45kN Pos. 68–72, 77–79 | Pompe compl. Multi-Press XL 45kN Pos. 68–72, 77–79 | Pompa compl. Multi-Press XL 45kN Pos. 68–72, 77–79 | 579558R |
| 66 | Getriebeflansch XL 45kN | Gear flange XL 45kN | Flasque d'engrenage XL 45kN | Flangia del ingranaggio XL 45kN | 579543ROH |
| 67 | PT-Linsenschraube | PT fillister head screw | Vis tête fraisée bombée PT | PT vite a testa svasata con perno | 083048 |
| — | Pumpenkolben kompl. Multi-Press XL 45kN Pos. 73–76 | Pump piston compl. Multi-Press XL 45kN Pos. 73–76 | Piston de pompe compl. Multi-Press XL 45kN Pos. 73–76 | Pistone a pompa compl. Multi-Press XL 45kN Pos. 73–76 | 579559R |
| — | Schalter Multi-Press XL 45kN Pos. 85–86, 81 | Switch Multi-Press XL 45kN Pos. 85–86, 81 | Interrupteur Multi-Press XL 45kN Pos. 85–86, 81 | Interruttore Multi-Press XL 45kN Pos. 85–86, 81 | 579538R22 |
| 80 | Taste | Button | Bouton | Pulsante | 576148ROH |
| — | Gehäuseschalen Li-Ion, Paar Multi-Press XL 45kN Pos. 82–83 | Housing shells Li-Ion, pair Multi-Press XL 45kN Pos. 82–83 | Coquille carcasse Li-Ion, paire Multi-Press XL 45kN Pos. 82–83 | Calotta carcassa Li-Ion, paio Multi-Press XL 45kN Pos. 82–83 | 579532R |
| 84 | Blechschrabe | Sheet metal screw | Vis à tôle | Vite da lamiera | 083064 |
| 87 | Akku-Li-Ion 21,6V, 5,0Ah | Battery Li-Ion 21.6V, 5.0Ah | Accu Li-Ion 21,6V, 5,0Ah | Batteria Li-Ion 21,6V, 5,0Ah | 571581A22 |
| 88 | Knopf | Button | Bouton | Pulsante | 571254PLX |