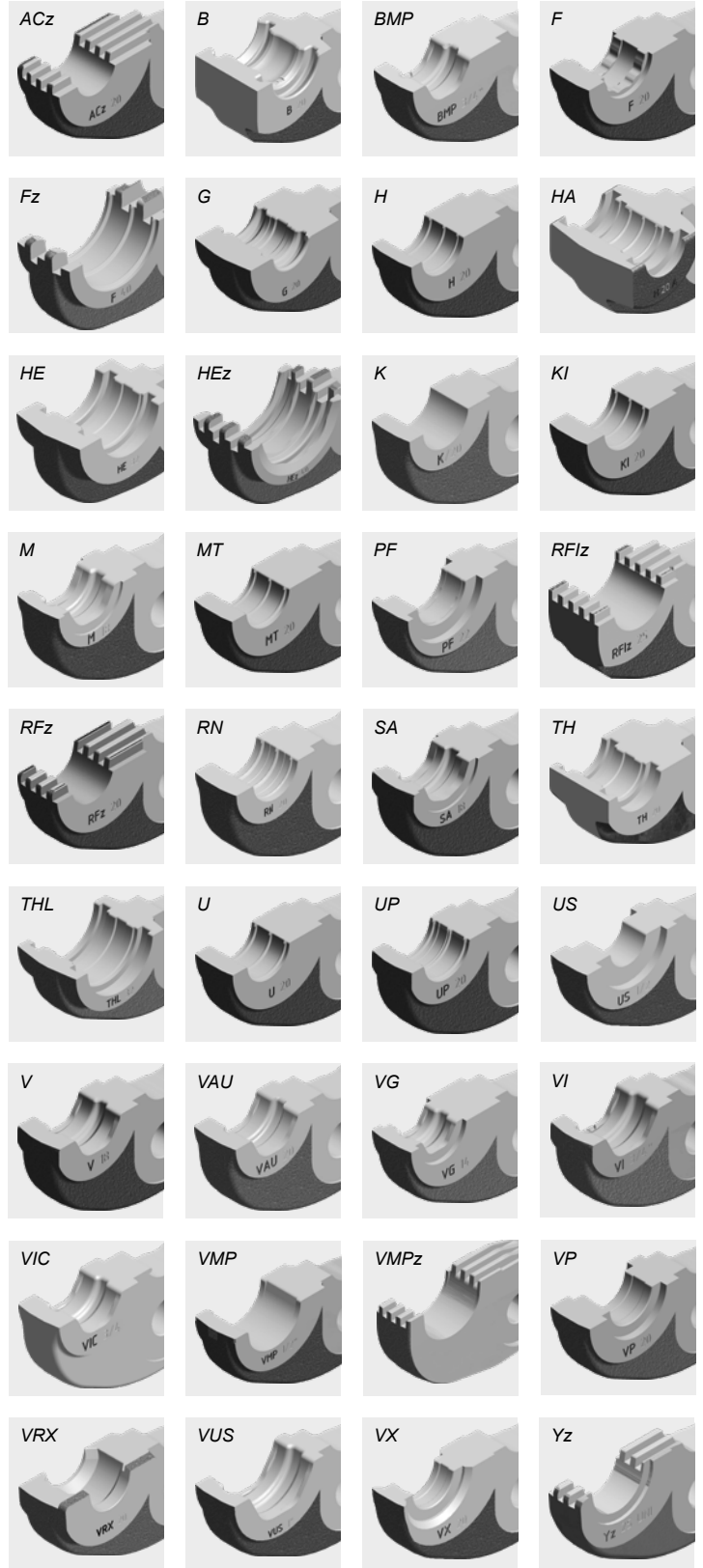


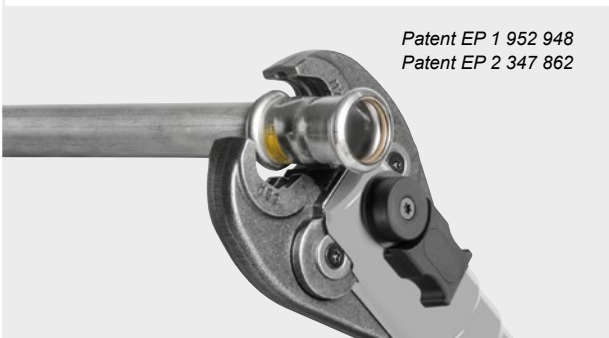
ROLLER'S *pressing tongs Mini* ROLLER'S *pressing rings*



German Top Quality



ROLLER'S Mini pressing tongs (2B)
with 2 tiltable monoblock pressing jaws.



Patent EP 1 952 948
Patent EP 2 347 862

ROLLER'S pressing tongs Mini ACz / Fz / HEz / RFz / RFlz
with teeth prevent burr formation on the pressing segments

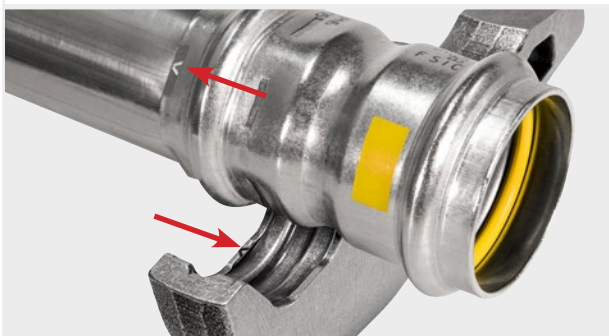


Patent EP 2 027 971

ROLLER'S pressing ring S (PR-2B), continuously swivelable for accurate positioning of the pressing jaws in places with difficult access.



Example: ROLLER'S Mini V pressing tongs: Impression "V"
on pressed fitting for traceability according to EN 1775:2007



Accessory for ROLLER'S 22 kN radial presses:

System-specific pressing tongs Mini / pressing rings for all common press fitting systems.

- Can be driven by all ROLLER'S 22 kN radial presses. Read and follow the instructions for use and assembly instructions of the system provider/ manufacturer.
- **Choose your own pressing tongs Mini / pressing rings!** Just select the desired pressfitting system and pressing tongs size / pressing ring size in the table on pages 60–89. Please note that pressfitting systems for gas installation may only be pressed with the pressing tongs Mini which are highlighted in yellow in the table.
- **ROLLER'S Mini pressing tongs (2B)**
Very compact design and low weight of the ROLLER'S Mini pressing tongs (2B) due to special arrangement of the pressing tongs connection (**Patent EP 1 952 948**).
Recesses in the pressing jaws for safe guidance of the connecting lugs for offset-free pressing (**Patent EP 2 347 862**).
ROLLER'S Mini ACz/Fz/HEz/RFz/RFlz pressing tongs with teeth prevent burr formation on the pressfitting (**Patent EP 2 027 971**).
- **ROLLER'S pressing ring S (PR-2B)**
Pressing ring S (PR-2B), with 2 pressing jaws, continuously swivelable for accurate positioning of the pressing jaws in places with difficult access. Adapter tongs required, see page 89. All pressing rings S (PR-2B) marked with ** can also be driven with the manual radial press ROLLER'S Easy-Press (page 90) using the adapter tong Z8.
- Precisely worked and exactly rounded, system-specific press contour according to the respective pressfitting system for perfectly system-conformant, reliable pressing.
- The pressing tongs / pressing rings are made from tenacious, specially hardened special steel and they are therefore highly resistant. For maximum quality demands and long life.
- Confirmations of suitability see page 52.
- SHK liability acceptance agreements see page 53.

Traceability according to EN 1775:2007.

- ROLLER'S pressing tongs Mini with press contour F, M, V, SA, B, RN and UP have worked a specific marking in the press contour which leaves a lasting impression directly on the pressed fitting after the pressing process. This enables the user to check again whether the most suitable pressing tongs Mini have been used to make the pressfit connection even after the pressing process.
- With this traceability ROLLER fulfils the recommendation of the European standard EN 1775:2007 for the installation of pressfitting systems for gas.

ROLLER'S pressing tongs Mini / pressing rings

Accessory for ROLLER'S 22kN radial presses

System	Pressing tongs Mini/pressing rings	Drive with adapter tongs	Art.-No.	€
A				
Aalberts integrated piping systems	U 14		578372	174,38
VSH MultiPress	U 16		578374	165,66
	U 20		578378	165,66
	U 25		578380	165,66
	U 32		578382	194,31
	U 40		578386	236,66
	TH 14		578348	177,08
	TH 16		578352 R	177,08
	TH 20		578358 R	177,08
	TH 25		578360	177,08
	TH 32		578364	177,08
	TH 40		578624	234,69
	TH 14 S (PR-2B)**	Mini Z8	574778 R	124,51
	TH 16 S (PR-2B)**	Mini Z8	574782 R	124,51
	TH 20 S (PR-2B)**	Mini Z8	574788 R	124,51
	TH 25 S (PR-2B)**	Mini Z8	574792 R	124,51
	TH 32 S (PR-2B)**	Mini Z8	574798 R	136,96
Aalberts integrated piping systems	U 16		578374	165,66
VSH MultiPress Gas	U 20		578378	165,66
	U 25		578380	165,66
	TH 16		578352 R	177,08
	TH 20		578358 R	177,08
	TH 16 S (PR-2B)**	Mini Z8	574782 R	124,51
	TH 20 S (PR-2B)**	Mini Z8	574788 R	124,51
Aalberts integrated piping systems	V 12		578324	146,98
VSH SudoPress Carbon	V 15		578328	146,98
	V 18		578332	146,98
	V 22		578334	146,98
	V 28		578336	146,98
	V 35		578604	178,12
	V 12 S (PR-2B)	Mini Z8	574748 R	124,51
	V 15 S (PR-2B)	Mini Z8	574752 R	124,51
	V 18 S (PR-2B)	Mini Z8	574756 R	124,51
	V 22 S (PR-2B)	Mini Z8	574758 R	124,51
	V 28 S (PR-2B)	Mini Z8	574760 R	124,51
	V 35 S (PR-2B)	Mini Z8	574762 R	136,96
Aalberts integrated piping systems	V 12		578324	146,98
VSH SudoPress Carbon	V 14		578326	146,98
	VG 14		578338	146,98
	V 15		578328	146,98
	V 16		578330	146,98
	VG 16		578340	146,98
	V 18		578332	146,98
	V 22		578334	146,98
	V 28		578336	146,98
	V 35		578604	178,12
	V 12 S (PR-2B)	Mini Z8	574748 R	124,51
	V 14 S (PR-2B)	Mini Z8	574800 R	124,51
	VG 14 S (PR-2B)	Mini Z8	574750 R	124,51
	V 15 S (PR-2B)	Mini Z8	574752 R	124,51
	V 16 S (PR-2B)	Mini Z8	574802 R	124,51
	VG 16 S (PR-2B)	Mini Z8	574754 R	124,51
	V 18 S (PR-2B)	Mini Z8	574756 R	124,51
	V 22 S (PR-2B)	Mini Z8	574758 R	124,51
	V 28 S (PR-2B)	Mini Z8	574760 R	124,51
	V 35 S (PR-2B)	Mini Z8	574762 R	136,96
Aalberts integrated piping systems	V 12		578324	146,98
VSH SudoPress Carbon	V 14		578326	146,98
Gas	VG 14		578338	146,98
	V 15		578328	146,98
	V 16		578330	146,98
	VG 16		578340	146,98
	V 18		578332	146,98
	V 22		578334	146,98
	V 28		578336	146,98
	V 35		578604	178,12
	V 12 S (PR-2B)	Mini Z8	574748 R	124,51
	V 14 S (PR-2B)	Mini Z8	574800 R	124,51
	VG 14 S (PR-2B)	Mini Z8	574750 R	124,51
	V 15 S (PR-2B)	Mini Z8	574752 R	124,51
	V 16 S (PR-2B)	Mini Z8	574802 R	124,51
	VG 16 S (PR-2B)	Mini Z8	574754 R	124,51
	V 18 S (PR-2B)	Mini Z8	574756 R	124,51
	V 22 S (PR-2B)	Mini Z8	574758 R	124,51
	V 28 S (PR-2B)	Mini Z8	574760 R	124,51
	V 35 S (PR-2B)	Mini Z8	574762 R	136,96
Aalberts integrated piping systems	V 15		578328	146,98
VSH SudoPress	V 18		578332	146,98
Stainless	V 22		578334	146,98
	V 28		578336	146,98
	V 35		578604	178,12
	V 15 S (PR-2B)	Mini Z8	574752 R	124,51
	V 18 S (PR-2B)	Mini Z8	574756 R	124,51
	V 22 S (PR-2B)	Mini Z8	574758 R	124,51
	V 28 S (PR-2B)	Mini Z8	574760 R	124,51
	V 35 S (PR-2B)	Mini Z8	574762 R	136,96
Aalberts integrated piping systems	M 12		578310	146,98
VSH XPress Carbon	M 15		578312	146,98
	M 18 ⁰		578314	146,98
	M 22		578316	146,98
	M 28 ⁰		578318	146,98
	M 35		578390	178,12
	M 12 S (PR-2B)	Mini Z8	574736 R	124,51
	M 15 S (PR-2B)	Mini Z8	574738 R	124,51
	M 18 S (PR-2B)	Mini Z8	574740 R	124,51
	M 22 S (PR-2B)	Mini Z8	574742 R	124,51
	M 28 S (PR-2B)	Mini Z8	574744 R	124,51
	M 35 S (PR-2B)	Mini Z8	574746 R	136,96

System	Pressing tongs Mini/pressing rings	Drive with adapter tongs	Art.-No.	€
Aalberts integrated piping systems	M 12		578310	146,98
VSH XPress Copper	M 15		578312	146,98
	M 18 ⁰		578314	146,98
	M 22		578316	146,98
	M 28 ⁰		578318	146,98
	M 35		578390	178,12
	M 12 S (PR-2B)	Mini Z8	574736 R	124,51
	M 15 S (PR-2B)	Mini Z8	574738 R	124,51
	M 18 S (PR-2B)	Mini Z8	574740 R	124,51
	M 22 S (PR-2B)	Mini Z8	574742 R	124,51
	M 28 S (PR-2B)	Mini Z8	574744 R	124,51
	M 35 S (PR-2B)	Mini Z8	574746 R	136,96
Aalberts integrated piping systems	M 15		578312	146,98
VSH XPress Copper	M 18 ⁰		578314	146,98
Gas	M 22		578316	146,98
	M 28 ⁰		578318	146,98
	M 35		578390	178,12
	M 15 S (PR-2B)	Mini Z8	574738 R	124,51
	M 18 S (PR-2B)	Mini Z8	574740 R	124,51
	M 22 S (PR-2B)	Mini Z8	574742 R	124,51
	M 28 S (PR-2B)	Mini Z8	574744 R	124,51
	M 35 S (PR-2B)	Mini Z8	574746 R	136,96
Aalberts integrated piping systems	M 15		578312	146,98
VSH XPress Stainless	M 18 ⁰		578314	146,98
	M 22		578316	146,98
	M 28 ⁰		578318	146,98
	M 35		578390	178,12
	M 15 S (PR-2B)	Mini Z8	574738 R	124,51
	M 18 S (PR-2B)	Mini Z8	574740 R	124,51
	M 22 S (PR-2B)	Mini Z8	574742 R	124,51
	M 28 S (PR-2B)	Mini Z8	574744 R	124,51
	M 35 S (PR-2B)	Mini Z8	574746 R	136,96
AC-FIX PRESS (Global Piping Systems)	H 12		578396	159,75
	H 16		578400	159,75
	H 20		578406	159,75
	H 25		578408	159,75
	H 32		578412	159,75
	RFz 12		578490	184,45
	RFz 16		578492	184,45
	RFz 20		578494	184,45
	RFz 25		578496	184,45
	RFz 32		578498	184,45
	U 16		578374	165,66
	U 20		578378	165,66
	U 25		578380	165,66
	U 32		578382	194,31
	VX 16		578552	204,17
	VX 20		578554	204,17
AC-FIX PRESS DUO (Global Piping Systems)	RFz 16		578492	184,45
	RFz 20		578494	184,45
	RFz 25		578496	184,45
	RFz 32		578498	184,45
	TH 16		578352 R	177,08
	TH 20		578358 R	177,08
	TH 25		578360	177,08
	TH 26		578362 R	177,08
	TH 32		578364	177,08
	TH 16 S (PR-2B)**	Mini Z8	574782 R	124,51
	TH 20 S (PR-2B)**	Mini Z8	574788 R	124,51
	TH 25 S (PR-2B)**	Mini Z8	574792 R	124,51
	TH 26 S (PR-2B)**	Mini Z8	574794 R	124,51
	TH 32 S (PR-2B)**	Mini Z8	574798 R	136,96
	U 16		578374	165,66
	U 20		578378	165,66
	U 25		578380	165,66
	U 32		578382	194,31
AC-FIX PRESS-MULTIH (Global Piping Systems)	H 16		578400	159,75
	H 18		578404	159,75
	H 20		578406	159,75
	H 25		578408	159,75
	H 32		578412	159,75
	RFz 16		578492	184,45
	RFz 20		578494	184,45
	RFz 25		578496	184,45
	RFz 32		578498	184,45
	U 16		578374	165,66
	U 18		578376	165,66
	U 20		578378	165,66
	U 25		578380	165,66
	U 32		578382	194,31
ACOME MT	ACz 12		578608	184,45
	ACz 16		578610	184,45
	ACz 20		578612	184,45
	ACz 25		578614	184,45

System	Pressing tongs Mini/pressing rings	Drive with adapter tongs	Art.-No.	€	System	Pressing tongs Mini/pressing rings	Drive with adapter tongs	Art.-No.	€
AHLSSELL	M 12		578310	146,98	ALB	TH 16		578352 R	177,08
A-press	M 15		578312	146,98	Sistema Multicapa	TH 18		578356	177,08
elförzinkad M	M 18		578314	146,98	para calefacción y sanitario	TH 20		578358 R	177,08
	M 22		578316	146,98		TH 26		578362 R	177,08
	M 28		578318	146,98		TH 32		578364	177,08
	M 35		578390	178,12		TH 40		578624	234,69
	M 12 S (PR-2B)	Mini Z8	574736 R	124,51		TH 16 S (PR-2B)**	Mini Z8	574782 R	124,51
	M 15 S (PR-2B)	Mini Z8	574738 R	124,51		TH 18 S (PR-2B)**	Mini Z8	574786 R	124,51
	M 18 S (PR-2B)	Mini Z8	574740 R	124,51		TH 20 S (PR-2B)**	Mini Z8	574788 R	124,51
	M 22 S (PR-2B)	Mini Z8	574742 R	124,51		TH 26 S (PR-2B)**	Mini Z8	574794 R	124,51
	M 28 S (PR-2B)	Mini Z8	574744 R	124,51		TH 32 S (PR-2B)	Mini Z8	574798 R	136,96
	M 35 S (PR-2B)	Mini Z8	574746 R	136,96		H 16		578400	159,75
AHLSSELL	V 12		578324	146,98		H 18		578404	159,75
A-press	V 15		578328	146,98		H 20		578406	159,75
elförzinkad V	V 18		578332	146,98		H 26		578410	159,75
	V 22		578334	146,98		H 32		578412	159,75
	V 28		578336	146,98		U 16		578374	165,66
	V 35		578604	178,12		U 18		578376	165,66
	V 12 S (PR-2B)	Mini Z8	574748 R	124,51		U 20		578378	165,66
	V 15 S (PR-2B)	Mini Z8	574752 R	124,51		U 26 ⁷⁾		578392	194,31
	V 18 S (PR-2B)	Mini Z8	574756 R	124,51		U 32		578382	194,31
	V 22 S (PR-2B)	Mini Z8	574758 R	124,51		U 40		578386	236,66
	V 28 S (PR-2B)	Mini Z8	574760 R	124,51	ALB	TH 16		578352 R	177,08
	V 35 S (PR-2B)	Mini Z8	574762 R	136,96	Sistema Multicapa	TH 20		578358 R	177,08
AHLSSELL	M 12		578310	146,98	para gas	TH 26		578362 R	177,08
A-press koppar M	M 15		578312	146,98		TH 32		578364	177,08
	M 18		578314	146,98		TH 16 S (PR-2B)**	Mini Z8	574782 R	124,51
	M 22		578316	146,98		TH 20 S (PR-2B)**	Mini Z8	574788 R	124,51
	M 28		578318	146,98		TH 26 S (PR-2B)**	Mini Z8	574794 R	124,51
	M 35		578390	178,12		TH 32 S (PR-2B)	Mini Z8	574798 R	136,96
	M 12 S (PR-2B)	Mini Z8	574736 R	124,51		H 16		578400	159,75
	M 15 S (PR-2B)	Mini Z8	574738 R	124,51		H 20		578406	159,75
	M 18 S (PR-2B)	Mini Z8	574740 R	124,51		H 26		578410	159,75
	M 22 S (PR-2B)	Mini Z8	574742 R	124,51		H 32		578412	159,75
	M 28 S (PR-2B)	Mini Z8	574744 R	124,51		U 16		578374	165,66
	M 35 S (PR-2B)	Mini Z8	574746 R	136,96		U 20		578378	165,66
AHLSSELL	V 12		578324	146,98		U 26 ⁷⁾		578392	194,31
A-press koppar V	V 15		578328	146,98		U 32		578382	194,31
	V 18		578332	146,98	ALTECH Altech	RFz 12		578490	184,45
	V 22		578334	146,98		RFz 16		578492	184,45
	V 28		578336	146,98		RFz 20		578494	184,45
	V 35		578604	178,12		RFz 25		578496	184,45
	V 12 S (PR-2B)	Mini Z8	574748 R	124,51	APE MULTYGAS	TH 16		578352 R	177,08
	V 15 S (PR-2B)	Mini Z8	574752 R	124,51	Serie AP Gas	TH 20		578358 R	177,08
	V 18 S (PR-2B)	Mini Z8	574756 R	124,51		TH 26		578362 R	177,08
	V 22 S (PR-2B)	Mini Z8	574758 R	124,51		TH 32		578364	177,08
	V 28 S (PR-2B)	Mini Z8	574760 R	124,51		TH 16 S (PR-2B)**	Mini Z8	574782 R	124,51
	V 35 S (PR-2B)	Mini Z8	574762 R	136,96		TH 20 S (PR-2B)**	Mini Z8	574788 R	124,51
AHLSSELL	M 15		578312	146,98		TH 26 S (PR-2B)**	Mini Z8	574794 R	124,51
A-press rostfritt	M 18		578314	146,98		TH 32 S (PR-2B)	Mini Z8	574798 R	136,96
	M 22		578316	146,98	APE Serie AP	B 16		578468	193,28
	M 28		578318	146,98		B 20		578472	193,28
	M 35		578390	178,12		B 26		578474	213,00
	M 15 S (PR-2B)	Mini Z8	574738 R	124,51		B 32		578476	213,00
	M 18 S (PR-2B)	Mini Z8	574740 R	124,51		H 16		578400	159,75
	M 22 S (PR-2B)	Mini Z8	574742 R	124,51		H 20		578406	159,75
	M 28 S (PR-2B)	Mini Z8	574744 R	124,51		H 26		578410	159,75
	M 35 S (PR-2B)	Mini Z8	574746 R	136,96		H 32		578412	159,75
AIRBEL	M 15		578312	146,98		TH 16		578352 R	177,08
PRESSCLIM	M 18		578314	146,98		TH 18		578356	177,08
	M 22		578316	146,98		TH 20		578358 R	177,08
	M 28		578318	146,98		TH 26		578362 R	177,08
	M 35		578390	178,12		TH 32		578364	177,08
	M 15 S (PR-2B)	Mini Z8	574738 R	124,51		TH 16 S (PR-2B)**	Mini Z8	574782 R	124,51
	M 18 S (PR-2B)	Mini Z8	574740 R	124,51		TH 18 S (PR-2B)**	Mini Z8	574786 R	124,51
	M 22 S (PR-2B)	Mini Z8	574742 R	124,51		TH 20 S (PR-2B)**	Mini Z8	574788 R	124,51
	M 28 S (PR-2B)	Mini Z8	574744 R	124,51		TH 26 S (PR-2B)**	Mini Z8	574794 R	124,51
	M 35 S (PR-2B)	Mini Z8	574746 R	136,96		TH 32 S (PR-2B)	Mini Z8	574798 R	136,96
AIRBEL	M 15		578312	146,98		U 16		578374	165,66
SERTINOX	M 18		578314	146,98		U 20		578378	165,66
	M 22		578316	146,98					
	M 28		578318	146,98					
	M 35		578390	178,12					
	M 15 S (PR-2B)	Mini Z8	574738 R	124,51					
	M 18 S (PR-2B)	Mini Z8	574740 R	124,51					
	M 22 S (PR-2B)	Mini Z8	574742 R	124,51					
	M 28 S (PR-2B)	Mini Z8	574744 R	124,51					
	M 35 S (PR-2B)	Mini Z8	574746 R	136,96					

Pressfitting systems for gas installations may only be pressed with the pressing tongs Mini which are highlighted in yellow in the table.

Observe the national regulations. Read and observe the system provider's/manufacture's instructions for use and assembly instructions.

** Can also be driven by the ROLLER'S Easy-Press manual radial press using the Z8 adapter tongs, see page 90. Observe the national regulations.

¹⁾ Only pressing tongs from designation "108" (1st quarter of 2008), "208" (2nd quarter of 2008) etc. can be used. The designation is stamped on every pressing jaw.

²⁾ For accommodating suitable pressing inserts.

³⁾ Only pressing tongs from designation "117" (1st quarter of 201), "217" (2nd quarter of 2017) etc. can be used. The designation is stamped on every pressing jaw.

⁴⁾ For pipes with the EN technical standard. Observe the system provider's/manufacture's instructions for use.

⁶⁾ Only use Mini pressing tongs identified by "VMP ½" G" on the pressing jaws for gas installations.

⁷⁾ Previous designation: Mini C 26 pressing tongs

⁵⁾ For pipes with the ASTM technical standard. Observe the system provider's/manufacture's instructions for use.

Suitability of the ROLLER'S pressing tools for pressfitting systems: Status 27.10.2023. The current status can be found on the Internet:

www.albert-roller.de → Downloads → Product Catalogues, Brochures → ROLLER Catalogue.

See page 79 for adapter tongs. Pressing tongs/pressing rings for other press fitting systems on request.

ROLLER'S pressing tongs Mini / pressing rings

Accessory for ROLLER'S 22kN radial presses

System	Pressing tongs Mini/pressing rings	Drive with adapter tongs	Art.-No.	€	
APE Serie APL	H 16		578400	159,75	
	H 18		578404	159,75	
	H 20		578406	159,75	
	H 25		578408	159,75	
	H 26		578410	159,75	
	H 32		578412	159,75	
	TH 16		578352 R	177,08	
	TH 18		578356	177,08	
	TH 20		578358 R	177,08	
	TH 25		578360	177,08	
	TH 26		578362 R	177,08	
	TH 32		578364	177,08	
	TH 16 S (PR-2B)**	Mini Z8	574782 R	124,51	
	TH 18 S (PR-2B)**	Mini Z8	574786 R	124,51	
	TH 20 S (PR-2B)**	Mini Z8	574788 R	124,51	
	TH 25 S (PR-2B)**	Mini Z8	574792 R	124,51	
	TH 26 S (PR-2B)**	Mini Z8	574794 R	124,51	
	TH 32 S (PR-2B)	Mini Z8	574798 R	136,96	
	U 16		578374	165,66	
U 18		578376	165,66		
U 20		578378	165,66		
AQUATECHNIK Press-fitting metal	H 16		578400	159,75	
	H 20		578406	159,75	
	H 26		578410	159,75	
	H 32		578412	159,75	
	TH 16		578352 R	177,08	
	TH 20		578358 R	177,08	
	TH 26		578362 R	177,08	
	TH 32		578364	177,08	
	TH 16 S (PR-2B)**	Mini Z8	574782 R	124,51	
	TH 20 S (PR-2B)**	Mini Z8	574788 R	124,51	
	TH 26 S (PR-2B)**	Mini Z8	574794 R	124,51	
	TH 32 S (PR-2B)	Mini Z8	574798 R	136,96	
	U 16		578374	165,66	
	U 20		578378	165,66	
	U 26 ⁷⁾		578392	194,31	
	U 32		578382	194,31	
	AQUATECHNIK Universal	B 16		578468	193,28
		B 20		578472	193,28
		B 26		578474	213,00
B 32			578476	213,00	
F 16			578456	168,68	
F 20			578460	168,68	
F 26			578462	182,48	
F 32			578464	182,48	
F 16 S (PR-2B)**		Mini Z8	574728 R	124,51	
F 20 S (PR-2B)**		Mini Z8	574730 R	124,51	
F 26 S (PR-2B)**		Mini Z8	574732 R	124,51	
F 32 S (PR-2B)		Mini Z8	574734 R	136,96	
H 16			578400	159,75	
H 20			578406	159,75	
H 26			578410	159,75	
H 32			578412	159,75	
TH 16			578352 R	177,08	
TH 20			578358 R	177,08	
TH 26			578362 R	177,08	
TH 32			578364	177,08	
TH 16 S (PR-2B)**		Mini Z8	574782 R	124,51	
TH 20 S (PR-2B)**		Mini Z8	574788 R	124,51	
TH 26 S (PR-2B)**		Mini Z8	574794 R	124,51	
TH 32 S (PR-2B)		Mini Z8	574798 R	136,96	
U 16			578374	165,66	
U 20			578378	165,66	
U 26 ⁷⁾			578392	194,31	
U 32			578382	194,31	
ARKA DUROsystem		H 16		578400	159,75
		H 20		578406	159,75
		H 25		578408	159,75
		H 26		578410	159,75
		H 32		578412	159,75
	TH 16		578352 R	177,08	
	TH 20		578358 R	177,08	
	TH 25		578360	177,08	
	TH 26		578362 R	177,08	
	TH 32		578364	177,08	
	TH 16 S (PR-2B)**	Mini Z8	574782 R	124,51	
	TH 20 S (PR-2B)**	Mini Z8	574788 R	124,51	
	TH 25 S (PR-2B)**	Mini Z8	574792 R	124,51	
	TH 26 S (PR-2B)**	Mini Z8	574794 R	124,51	
	TH 32 S (PR-2B)	Mini Z8	574798 R	136,96	
	U 16		578374	165,66	
	U 20		578378	165,66	
	Aschl NIR	M 15		578312	146,98
		M 18		578314	146,98
M 22			578316	146,98	
M 28			578318	146,98	
M 35			578390	178,12	
M 15 S (PR-2B)		Mini Z8	574738 R	124,51	
M 18 S (PR-2B)		Mini Z8	574740 R	124,51	
M 22 S (PR-2B)		Mini Z8	574742 R	124,51	
M 28 S (PR-2B)		Mini Z8	574744 R	124,51	
M 35 S (PR-2B)		Mini Z8	574746 R	136,96	
ASSOTHERM IPC-RAC Carbon Steel		M 15		578312	146,98
		M 18		578314	146,98
		M 22		578316	146,98
		M 28		578318	146,98
		M 35		578390	178,12
		M 15 S (PR-2B)	Mini Z8	574738 R	124,51
		M 18 S (PR-2B)	Mini Z8	574740 R	124,51
		M 22 S (PR-2B)	Mini Z8	574742 R	124,51
		M 28 S (PR-2B)	Mini Z8	574744 R	124,51
	M 35 S (PR-2B)	Mini Z8	574746 R	136,96	

System	Pressing tongs Mini/pressing rings	Drive with adapter tongs	Art.-No.	€		
ASSOTHERM IPI-RAX Inox	M 15		578312	146,98		
	M 18		578314	146,98		
	M 22		578316	146,98		
	M 28		578318	146,98		
	M 35		578390	178,12		
	M 15 S (PR-2B)	Mini Z8	574738 R	124,51		
	M 18 S (PR-2B)	Mini Z8	574740 R	124,51		
	M 22 S (PR-2B)	Mini Z8	574742 R	124,51		
	M 28 S (PR-2B)	Mini Z8	574744 R	124,51		
	M 35 S (PR-2B)	Mini Z8	574746 R	136,96		
	ASSOTHERM IPI-RAX Inox Gas	M 15		578312	146,98	
		M 18		578314	146,98	
		M 22		578316	146,98	
		M 28		578318	146,98	
		M 35		578390	178,12	
		M 15 S (PR-2B)	Mini Z8	574738 R	124,51	
		M 18 S (PR-2B)	Mini Z8	574740 R	124,51	
		M 22 S (PR-2B)	Mini Z8	574742 R	124,51	
		M 28 S (PR-2B)	Mini Z8	574744 R	124,51	
M 35 S (PR-2B)		Mini Z8	574746 R	136,96		
ASSOTHERM IPM-Multistrato		H 16		578400	159,75	
		H 20		578406	159,75	
		H 26		578410	159,75	
		H 32		578412	159,75	
		TH 16		578352 R	177,08	
		TH 20		578358 R	177,08	
		TH 26		578362 R	177,08	
		TH 32		578364	177,08	
		THL 32		578368	177,08	
	TH 40		578624	234,69		
	TH 16 S (PR-2B)**	Mini Z8	574782 R	124,51		
	TH 20 S (PR-2B)**	Mini Z8	574788 R	124,51		
	TH 26 S (PR-2B)**	Mini Z8	574794 R	124,51		
	TH 32 S (PR-2B)	Mini Z8	574798 R	136,96		
	U 16		578374	165,66		
	U 20		578378	165,66		
	U 26 ⁷⁾		578392	194,31		
	U 32		578382	194,31		
	ASSOTHERM IPR-RRR Copper	M 15		578312	146,98	
M 18			578314	146,98		
M 22			578316	146,98		
M 28			578318	146,98		
M 35			578390	178,12		
M 15 S (PR-2B)		Mini Z8	574738 R	124,51		
M 18 S (PR-2B)		Mini Z8	574740 R	124,51		
M 22 S (PR-2B)		Mini Z8	574742 R	124,51		
M 28 S (PR-2B)		Mini Z8	574744 R	124,51		
M 35 S (PR-2B)		Mini Z8	574746 R	136,96		
ASSOTHERM IPR-RRR Copper Gas		M 15		578312	146,98	
		M 18		578314	146,98	
		M 22		578316	146,98	
		M 28		578318	146,98	
		M 35		578390	178,12	
		M 15 S (PR-2B)	Mini Z8	574738 R	124,51	
		M 18 S (PR-2B)	Mini Z8	574740 R	124,51	
		M 22 S (PR-2B)	Mini Z8	574742 R	124,51	
		M 28 S (PR-2B)	Mini Z8	574744 R	124,51	
	M 35 S (PR-2B)	Mini Z8	574746 R	136,96		
	ASTM F 1807 (Fittings with Copper Crimp Ring for PEX tubing)	US 3/4"		578534	201,16	
		US 1/2"		578536	201,16	
		US 3/4"		578538	201,16	
		US 1"		578540	201,16	
		ATUSA ITALIA INSTALPRESS CARBON STEEL PRESS FITTINGS	M 15		578312	146,98
			M 18		578314	146,98
			M 22		578316	146,98
			M 28		578318	146,98
			M 35		578390	178,12
M 15 S (PR-2B)			Mini Z8	574738 R	124,51	
M 18 S (PR-2B)			Mini Z8	574740 R	124,51	
M 22 S (PR-2B)			Mini Z8	574742 R	124,51	
M 28 S (PR-2B)			Mini Z8	574744 R	124,51	
M 35 S (PR-2B)			Mini Z8	574746 R	136,96	
ATUSA ITALIA INSTALPRESS STAINLESS STEEL PRESS FITTINGS			M 15		578312	146,98
			M 18		578314	146,98
			M 22		578316	146,98
			M 28		578318	146,98
			M 35		578390	178,12
	M 15 S (PR-2B)		Mini Z8	574738 R	124,51	
	M 18 S (PR-2B)		Mini Z8	574740 R	124,51	
	M 22 S (PR-2B)		Mini Z8	574742 R	124,51	
	M 28 S (PR-2B)		Mini Z8	574744 R	124,51	
	M 35 S (PR-2B)	Mini Z8	574746 R	136,96		
	AUSTEC PEX-B, PEX-AL-PEX (AUS)	TH 16		578352 R	177,08	
		TH 20		578358 R	177,08	
		TH 25		578360	177,08	
		TH 32		578364	177,08	
		U 16		578374	165,66	
		U 20		578378	165,66	
		U 25		578380	165,66	
		U 32		578382	194,31	
		AUSTEC PEX-AL-PEX GAS (AUS)	TH 16		578352 R	177,08
TH 20				578358 R	177,08	
TH 25				578360	177,08	
TH 32				578364	177,08	
U 16				578374	165,66	
U 20				578378	165,66	
U 25				578380	165,66	
U 32				578382	194,31	

System	Pressing tongs Mini/pressing rings	Drive with adapter tongs	Art.-No.	€
AYOR	H 12		578396	159,75
FIXOCONNECT	H 16		578400	159,75
Press	H 20		578406	159,75
	H 25		578408	159,75
	RFz 12		578490	184,45
	RFz 16		578492	184,45
	RFz 20		578494	184,45
	RFz 25		578496	184,45
	U 16		578374	165,66
	U 20		578378	165,66
	U 25		578380	165,66
AYOR	H 16		578400	159,75
FIXOMULTIX	H 20		578406	159,75
	H 26		578410	159,75
	H 32		578412	159,75
	TH 16		578352 R	177,08
	TH 20		578358 R	177,08
	TH 26		578362 R	177,08
	TH 32		578364	177,08
	TH 16 S (PR-2B)**	Mini Z8	574782 R	124,51
	TH 20 S (PR-2B)**	Mini Z8	574788 R	124,51
	TH 26 S (PR-2B)**	Mini Z8	574794 R	124,51
	TH 32 S (PR-2B)	Mini Z8	574798 R	136,96
	U 16		578374	165,66
	U 20		578378	165,66
	U 32		578382	194,31
	U 40		578386	236,66
AYOR	H 16		578400	159,75
SOMATHERM	H 20		578406	159,75
FOR YOU -1	H 26		578410	159,75
	TH 16		578352 R	177,08
	TH 20		578358 R	177,08
	TH 26		578362 R	177,08
	TH 16 S (PR-2B)**	Mini Z8	574782 R	124,51
	TH 20 S (PR-2B)**	Mini Z8	574788 R	124,51
	TH 26 S (PR-2B)**	Mini Z8	574794 R	124,51
	U 16		578374	165,66
	U 20		578378	165,66
AYOR	H 12		578396	159,75
SOMATHERM	H 16		578400	159,75
FOR YOU -2	H 20		578406	159,75
	H 25		578408	159,75
	RFz 12		578490	184,45
	RFz 16		578492	184,45
	RFz 20		578494	184,45
	RFz 25		578496	184,45
	U 16		578374	165,66
	U 20		578378	165,66
	U 25		578380	165,66
B				
Bampi BALPEX	TH 16		578352 R	177,08
serie LP	TH 18		578356	177,08
	TH 20		578358 R	177,08
	TH 26		578362 R	177,08
	TH 32		578364	177,08
	TH 40		578624	234,69
	TH 16 S (PR-2B)**	Mini Z8	574782 R	124,51
	TH 18 S (PR-2B)**	Mini Z8	574786 R	124,51
	TH 20 S (PR-2B)**	Mini Z8	574788 R	124,51
	TH 26 S (PR-2B)**	Mini Z8	574794 R	124,51
	TH 32 S (PR-2B)	Mini Z8	574798 R	136,96
	U 16		578374	165,66
	U 18		578376	165,66
	U 20		578378	165,66
	U 26 ⁷⁾		578392	194,31
	U 32		578382	194,31
Bampi BALPEX	TH 16		578352 R	177,08
serie MP	TH 18		578356	177,08
	TH 20		578358 R	177,08
	TH 26		578362 R	177,08
	TH 32		578364	177,08
	TH 40		578624	234,69
	TH 16 S (PR-2B)**	Mini Z8	574782 R	124,51
	TH 18 S (PR-2B)**	Mini Z8	574786 R	124,51
	TH 20 S (PR-2B)**	Mini Z8	574788 R	124,51
	TH 26 S (PR-2B)**	Mini Z8	574794 R	124,51
	TH 32 S (PR-2B)	Mini Z8	574798 R	136,96

System	Pressing tongs Mini/pressing rings	Drive with adapter tongs	Art.-No.	€
Bampi BALPEX	TH 16		578352 R	177,08
Gas	TH 20		578358 R	177,08
	TH 26		578362 R	177,08
	TH 16 S (PR-2B)**	Mini Z8	574782 R	124,51
	TH 20 S (PR-2B)**	Mini Z8	574788 R	124,51
	TH 26 S (PR-2B)**	Mini Z8	574794 R	124,51
BARBI EASYPRESS	H 12		578396	159,75
(Industrial Blansol)	H 16		578400	159,75
	H 20		578406	159,75
	H 25		578408	159,75
	H 32		578412	159,75
	RFz 12		578490	184,45
	RFz 16		578492	184,45
	RFz 20		578494	184,45
	RFz 25		578496	184,45
	RFz 32		578498	184,45
	U 16		578374	165,66
	U 20		578378	165,66
	U 25		578380	165,66
	U 32		578382	194,31
BARBI MULTIPLEX	H 14		578398	159,75
(Industrial Blansol)	H 16		578400	159,75
	H 18		578404	159,75
	H 20		578406	159,75
	H 25		578408	159,75
	H 26		578410	159,75
	H 32		578412	159,75
	RFz 16		578492	184,45
	RFz 18		578638	184,45
	RFz 20		578494	184,45
	RFz 25		578496	184,45
	RFz 32		578498	184,45
	TH 16		578352 R	177,08
	TH 20		578358 R	177,08
	TH 26		578362 R	177,08
	TH 32		578364	177,08
	TH 16 S (PR-2B)**	Mini Z8	574782 R	124,51
	TH 20 S (PR-2B)**	Mini Z8	574788 R	124,51
	TH 26 S (PR-2B)**	Mini Z8	574794 R	124,51
	TH 32 S (PR-2B)	Mini Z8	574798 R	136,96
	U 16		578374	165,66
	U 18		578376	165,66
	U 20		578378	165,66
	U 25		578380	165,66
	U 32		578382	194,31
	U 40		578386	236,66
BEGETUBE/	B 14		578466	193,28
IVAR	B 16		578468	193,28
	B 18		578470	193,28
	B 20		578472	193,28
	B 26		578474	213,00
	B 32		578476	213,00
Béné inox	M 15		578312	146,98
Série 41	M 18		578314	146,98
	M 22		578316	146,98
	M 28		578318	146,98
	M 35		578390	178,12
	M 15 S (PR-2B)	Mini Z8	574738 R	124,51
	M 18 S (PR-2B)	Mini Z8	574740 R	124,51
	M 22 S (PR-2B)	Mini Z8	574742 R	124,51
	M 28 S (PR-2B)	Mini Z8	574744 R	124,51
	M 35 S (PR-2B)	Mini Z8	574746 R	136,96
Brass Form	H 16		578400	159,75
Master-Al-Pex	H 18		578404	159,75
	H 20		578406	159,75
	TH 16		578352 R	177,08
	TH 18		578356	177,08
	TH 20		578358 R	177,08
	TH 26		578362 R	177,08
	TH 32		578364	177,08
	TH 16 S (PR-2B)**	Mini Z8	574782 R	124,51
	TH 18 S (PR-2B)**	Mini Z8	574786 R	124,51
	TH 20 S (PR-2B)**	Mini Z8	574788 R	124,51
	TH 26 S (PR-2B)**	Mini Z8	574794 R	124,51
	TH 32 S (PR-2B)	Mini Z8	574798 R	136,96
	U 16		578374	165,66
	U 18		578376	165,66
	U 20		578378	165,66

Pressfitting systems for gas installations may only be pressed with the pressing tongs Mini which are highlighted in yellow in the table.

Observe the national regulations. Read and observe the system provider's/manufacturer's instructions for use and assembly instructions.

** Can also be driven by the ROLLER'S Easy-Press manual radial press using the Z8 adapter tongs, see page 90. Observe the national regulations.

¹⁾ Only pressing tongs from designation "108" (1st quarter of 2008), "208" (2nd quarter of 2008) etc. can be used. The designation is stamped on every pressing jaw.

²⁾ For accommodating suitable pressing inserts.

³⁾ Only pressing tongs from designation "117" (1st quarter of 201), "217" (2nd quarter of 2017) etc. can be used. The designation is stamped on every pressing jaw.

⁴⁾ For pipes with the EN technical standard. Observe the system provider's/manufacturer's instructions for use.

⁵⁾ Only use Mini pressing tongs identified by "VMP ½" G" on the pressing jaws for gas installations.

⁷⁾ Previous designation: Mini C 26 pressing tongs

⁹⁾ For pipes with the ASTM technical standard. Observe the system provider's/manufacturer's instructions for use.

Suitability of the ROLLER'S pressing tools for pressfitting systems: Status 27.10.2023. The current status can be found on the Internet:

www.albert-roller.de → Downloads → Product Catalogues, Brochures → ROLLER Catalogue.

See page 79 for adapter tongs. Pressing tongs/pressing rings for other press fitting systems on request.

System	Pressing tongs Mini/pressing rings	Drive with adapter tongs	Art.-No.	€
Brass & Fittings	RFz 16		578492	184,45
PRESSMAN	RFz 18		578638	184,45
MultiPress	ACz 20		578612	184,45
	RFz 25		578496	184,45
	RFz 32		578498	184,45
Brass & Fittings	RFz 16		578492	184,45
PRESSMAN RetiPress	RFz 18		578638	184,45
	ACz 20		578612	184,45
	RFz 25		578496	184,45
	RFz 32		578498	184,45
BRASSTECH	B 16		578468	193,28
MULTIthermoSAN	B 20		578472	193,28
Brasspress	B 26		578474	213,00
	B 32		578476	213,00
	F 16		578456	168,68
	F 20		578460	168,68
	F 26		578462	182,48
	F 16 S (PR-2B)**	Mini Z8	574728 R	124,51
	F 20 S (PR-2B)**	Mini Z8	574730 R	124,51
	F 26 S (PR-2B)**	Mini Z8	574732 R	124,51
	H 16		578400	159,75
	H 18		578404	159,75
	H 20		578406	159,75
	H 26		578410	159,75
	TH 16		578352 R	177,08
	TH 18		578356	177,08
	TH 20		578358 R	177,08
	TH 26		578362 R	177,08
	TH 32		578364	177,08
	TH 40		578624	234,69
	TH 16 S (PR-2B)**	Mini Z8	574782 R	124,51
	TH 18 S (PR-2B)**	Mini Z8	574786 R	124,51
	TH 20 S (PR-2B)**	Mini Z8	574788 R	124,51
	TH 26 S (PR-2B)**	Mini Z8	574794 R	124,51
	TH 32 S (PR-2B)	Mini Z8	574798 R	136,96
	U 16		578374	165,66
	U 18		578376	165,66
	U 20		578378	165,66
	U 26 ⁷⁾		578392	194,31
	U 32		578382	194,31

C

Cello Products	VUS ½" (OD 15,9 mm)		578566	177,50
Press	VUS ¾" (OD 22,2 mm)		578568	177,50
	VUS 1" (OD 28,6 mm)		578570	177,50
	VUS 1¼" (OD 34,9 mm)		578606	177,50
CGR	H 16		578400	159,75
DYNAFLU	H 20		578406	159,75
multicouche	H 26		578410	159,75
	H 32		578412	159,75
	TH 16		578352 R	177,08
	TH 20		578358 R	177,08
	TH 26		578362 R	177,08
	TH 32		578364	177,08
	TH 40		578624	234,69
	TH 16 S (PR-2B)**	Mini Z8	574782 R	124,51
	TH 20 S (PR-2B)**	Mini Z8	574788 R	124,51
	TH 26 S (PR-2B)**	Mini Z8	574794 R	124,51
	TH 32 S (PR-2B)	Mini Z8	574798 R	136,96
	U 16		578374	165,66
	U 20		578378	165,66
	U 26 ⁷⁾		578392	194,31
	U 32		578382	194,31
	U 40		578386	236,66
CGR	H 12		578396	159,75
DYNAFLU	H 16		578400	159,75
PER	H 20		578406	159,75
	H 25		578408	159,75
	RFz 12		578490	184,45
	RFz 16		578492	184,45
	RFz 20		578494	184,45
	RFz 25		578496	184,45
CHIALI	TH 16		578352 R	177,08
CHIALIPEX	TH 20		578358 R	177,08
	TH 26		578362 R	177,08
	TH 32		578364	177,08
	TH 40		578624	234,69
Climatrix	H 16		578400	159,75
Climatrix Rhinopex	H 20		578406	159,75
	U 16		578374	165,66
	U 20		578378	165,66
	TH 14		578348	177,08
	TH 16		578352 R	177,08
	TH 18		578356	177,08
	TH 20		578358 R	177,08
	TH 26		578362 R	177,08
	TH 32		578364	177,08
	TH 16 S (PR-2B)**	Mini Z8	574782 R	124,51
	TH 20 S (PR-2B)**	Mini Z8	574788 R	124,51
	TH 26 S (PR-2B)**	Mini Z8	574794 R	124,51
	TH 32 S (PR-2B)	Mini Z8	574798 R	136,96

System	Pressing tongs Mini/pressing rings	Drive with adapter tongs	Art.-No.	€
Climatrix	TH 11,6		578344	177,08
Variotherm	TH 16		578352 R	177,08
System TH	TH 16 S (PR-2B)**	Mini Z8	574782 R	124,51
ClouSet	TH 16		578352 R	177,08
	TH 18		578356	177,08
	TH 20		578358 R	177,08
	TH 16 S (PR-2B)**	Mini Z8	574782 R	124,51
	TH 18 S (PR-2B)**	Mini Z8	574786 R	124,51
	TH 20 S (PR-2B)**	Mini Z8	574788 R	124,51
Comap	RFz 12		578490	184,45
PEX Press	RFz 16		578492	184,45
	RFz 20		578494	184,45
	RFz 25		578496	184,45
Comap	TH 14		578348	177,08
Multiskin	TH 16		578352 R	177,08
	TH 18		578356	177,08
	TH 20		578358 R	177,08
	TH 26		578362 R	177,08
	TH 32		578364	177,08
	THL 32		578368	177,08
	TH 40		578624	234,69
	TH 16 S (PR-2B)**	Mini Z8	574782 R	124,51
	TH 20 S (PR-2B)**	Mini Z8	574788 R	124,51
	TH 26 S (PR-2B)**	Mini Z8	574794 R	124,51
	TH 32 S (PR-2B)	Mini Z8	574798 R	136,96
	U 14		578372	174,38
	U 16		578374	165,66
	U 18		578376	165,66
	U 20		578378	165,66
	U 32		578382	194,31
	H 14		578398	159,75
	H 16		578400	159,75
	H 18		578404	159,75
	H 20		578406	159,75
	H 26		578410	159,75
	H 32		578412	159,75
Comap	TH 16		578352 R	177,08
Multiskin Gas	TH 20		578358 R	177,08
	TH 26		578362 R	177,08
	TH 32		578364	177,08
	THL 32		578368	177,08
	TH 16 S (PR-2B)**	Mini Z8	574782 R	124,51
	TH 20 S (PR-2B)**	Mini Z8	574788 R	124,51
	TH 26 S (PR-2B)**	Mini Z8	574794 R	124,51
	TH 32 S (PR-2B)	Mini Z8	574798 R	136,96
	U 16		578374	165,66
	U 20		578378	165,66
	U 32		578382	194,31
	H 16		578400	159,75
	H 20		578406	159,75
	H 26		578410	159,75
	H 32		578412	159,75
COMISA	TH 14		578348	177,08
Press System	TH 16		578352 R	177,08
	TH 18		578356	177,08
	TH 20		578358 R	177,08
	TH 25		578360	177,08
	TH 26		578362 R	177,08
	TH 32		578364	177,08
	TH 40		578624	234,69
	TH 14 S (PR-2B)**	Mini Z8	574778 R	124,51
	TH 16 S (PR-2B)**	Mini Z8	574782 R	124,51
	TH 18 S (PR-2B)**	Mini Z8	574786 R	124,51
	TH 20 S (PR-2B)**	Mini Z8	574788 R	124,51
	TH 25 S (PR-2B)**	Mini Z8	574792 R	124,51
	TH 26 S (PR-2B)**	Mini Z8	574794 R	124,51
	TH 32 S (PR-2B)	Mini Z8	574798 R	136,96
	H 14		578398	159,75
	H 16		578400	159,75
	H 18		578404	159,75
	H 20		578406	159,75
	H 26		578410	159,75
	H 32		578412	159,75
	B 14		578466	193,28
	B 16		578468	193,28
	B 18		578470	193,28
	B 20		578472	193,28
	B 26		578474	213,00
	B 32		578476	213,00
COMISA	TH 16		578352 R	177,08
Press System Gas	TH 20		578358 R	177,08
	TH 26		578362 R	177,08
	TH 32		578364	177,08
	TH 16 S (PR-2B)**	Mini Z8	574782 R	124,51
	TH 20 S (PR-2B)**	Mini Z8	574788 R	124,51
	TH 26 S (PR-2B)**	Mini Z8	574794 R	124,51
	TH 32 S (PR-2B)	Mini Z8	574798 R	136,96

System	Pressing tongs Mini/pressing rings	Drive with adapter tongs	Art.-No.	€	System	Pressing tongs Mini/pressing rings	Drive with adapter tongs	Art.-No.	€
CONEL	M 15		578312	146,98	Conex Bänninger	F 16		578456	168,68
CONNECT INOX	M 18		578314	146,98	>B< Flex	F 18		578458	168,68
	M 22		578316	146,98		F 20		578460	168,68
	V 15		578328	146,98		F 32		578464	182,48
	V 18		578332	146,98		F 16 S (PR-2B)**	Mini Z8	574728 R	124,51
	V 22		578334	146,98		F 20 S (PR-2B)**	Mini Z8	574730 R	124,51
CONEL	F 16		578456	168,68		F 32 S (PR-2B)	Mini Z8	574734 R	136,96
CONNECT	F 20		578460	168,68		H 16		578400	159,75
MULTI	F 26		578462	182,48		H 18		578404	159,75
	F 32		578464	182,48		H 20		578406	159,75
	F 16 S (PR-2B)**	Mini Z8	574728 R	124,51		H 25		578408	159,75
	F 20 S (PR-2B)**	Mini Z8	574730 R	124,51		H 32		578412	159,75
	F 26 S (PR-2B)**	Mini Z8	574732 R	124,51		RFz 16		578492	184,45
	F 32 S (PR-2B)**	Mini Z8	574734 R	136,96		RFz 18		578638	184,45
	H 16		578400	159,75		RFz 20		578494	184,45
	H 20		578406	159,75		RFz 25		578496	184,45
	H 26		578410	159,75		RFz 32		578498	184,45
	H 32		578412	159,75		TH 16		578352 R	177,08
	TH 16		578352 R	177,08		TH 18		578356	177,08
	TH 20		578358 R	177,08		TH 20		578358 R	177,08
	TH 26		578362 R	177,08		TH 25		578360	177,08
	TH 32		578364	177,08		TH 32		578364	177,08
	TH 16 S (PR-2B)**	Mini Z8	574782 R	124,51		TH 16 S (PR-2B)**	Mini Z8	574782 R	124,51
	TH 20 S (PR-2B)**	Mini Z8	574788 R	124,51		TH 18 S (PR-2B)**	Mini Z8	574786 R	124,51
	TH 26 S (PR-2B)**	Mini Z8	574794 R	124,51		TH 20 S (PR-2B)**	Mini Z8	574788 R	124,51
	TH 32 S (PR-2B)**	Mini Z8	574798 R	136,96		TH 32 S (PR-2B)	Mini Z8	574798 R	136,96
	U 16		578374	165,66		U 16		578374	165,66
	U 20		578378	165,66		U 18		578376	165,66
(DN 26)	U 25		578380	165,66		U 20		578378	165,66
	U 32		578382	194,31		U 25		578380	165,66
	VP 16		578482	176,56		U 32		578382	194,31
	VP 20		578484	176,56		Conex Bänninger	F 16	578456	168,68
	VP 32		578488	195,25	>B< Flex Gas	F 18	578458	168,68	
CONEL	F 16		578456	168,68		F 20		578460	168,68
CONNECT	F 20		578460	168,68		F 32		578464	182,48
MV2	F 26		578462	182,48		F 16 S (PR-2B)**	Mini Z8	574728 R	124,51
	F 32		578464	182,48		F 20 S (PR-2B)**	Mini Z8	574730 R	124,51
	F 16 S (PR-2B)**	Mini Z8	574728 R	124,51		F 32 S (PR-2B)	Mini Z8	574734 R	136,96
	F 20 S (PR-2B)**	Mini Z8	574730 R	124,51		H 16		578400	159,75
	F 26 S (PR-2B)**	Mini Z8	574732 R	124,51		H 18		578404	159,75
	F 32 S (PR-2B)**	Mini Z8	574734 R	136,96		H 20		578406	159,75
	TH 16		578352 R	177,08		H 25		578408	159,75
	TH 20		578358 R	177,08		H 32		578412	159,75
	TH 26		578362 R	177,08		RFz 16		578492	184,45
	TH 32		578364	177,08		RFz 18		578638	184,45
	TH 16 S (PR-2B)**	Mini Z8	574782 R	124,51		RFz 20		578494	184,45
	TH 20 S (PR-2B)**	Mini Z8	574788 R	124,51		RFz 25		578496	184,45
	TH 26 S (PR-2B)**	Mini Z8	574794 R	124,51		RFz 32		578498	184,45
	TH 32 S (PR-2B)**	Mini Z8	574798 R	136,96		TH 16		578352 R	177,08
Conex Bänninger	M 15		578312	146,98		TH 18		578356	177,08
<A> Press Inox	M 18		578314	146,98		TH 20		578358 R	177,08
(304)	M 22		578316	146,98		TH 25		578360	177,08
	M 28		578318	146,98		TH 32		578364	177,08
	M 35		578390	178,12		TH 16 S (PR-2B)**	Mini Z8	574782 R	124,51
	M 15 S (PR-2B)	Mini Z8	574738 R	124,51		TH 18 S (PR-2B)**	Mini Z8	574786 R	124,51
	M 18 S (PR-2B)	Mini Z8	574740 R	124,51		TH 20 S (PR-2B)**	Mini Z8	574788 R	124,51
	M 22 S (PR-2B)	Mini Z8	574742 R	124,51		TH 32 S (PR-2B)	Mini Z8	574798 R	136,96
	M 28 S (PR-2B)	Mini Z8	574744 R	124,51		U 16		578374	165,66
	M 35 S (PR-2B)	Mini Z8	574746 R	136,96		U 18		578376	165,66
Conex Bänninger	M 15		578312	146,98		U 20		578378	165,66
<A> Press Inox	M 18		578314	146,98		U 25		578380	165,66
(316L)	M 22		578316	146,98		U 32		578382	194,31
	M 28		578318	146,98	Conex Bänninger	BMP ¼"		578700	175,53
	M 35		578390	178,12	>B< MaxiPro	BMP ⅜"		578702	175,53
	M 15 S (PR-2B)	Mini Z8	574738 R	124,51		BMP ½"		578704	175,53
	M 18 S (PR-2B)	Mini Z8	574740 R	124,51		BMP ⅝"		578706	175,53
	M 22 S (PR-2B)	Mini Z8	574742 R	124,51		BMP ¾"		578708	175,53
	M 28 S (PR-2B)	Mini Z8	574744 R	124,51		BMP 1"		578710	175,53
	M 35 S (PR-2B)	Mini Z8	574746 R	136,96		BMP 1 ¼"		578712	175,53
								578714	175,53

Pressfitting systems for gas installations may only be pressed with the pressing tongs Mini which are highlighted in yellow in the table.

Observe the national regulations. Read and observe the system provider's/manufacturer's instructions for use and assembly instructions.

** Can also be driven by the ROLLER'S Easy-Press manual radial press using the Z8 adapter tongs, see page 90. Observe the national regulations.

1) Only pressing tongs from designation "108" (1st quarter of 2008), "208" (2nd quarter of 2008) etc. can be used. The designation is stamped on every pressing jaw.

2) For accommodating suitable pressing inserts.

3) Only pressing tongs from designation "117" (1st quarter of 201), "217" (2nd quarter of 2017) etc. can be used. The designation is stamped on every pressing jaw.

4) For pipes with the EN technical standard. Observe the system provider's/manufacturer's instructions for use.

6) Only use Mini pressing tongs identified by "VMP ½" G" on the pressing jaws for gas installations.

7) Previous designation: Mini C 26 pressing tongs

9) For pipes with the ASTM technical standard. Observe the system provider's/manufacturer's instructions for use.

Suitability of the ROLLER'S pressing tools for pressfitting systems: Status 27.10.2023. The current status can be found on the Internet:

www.albert-roller.de → Downloads → Product Catalogues, Brochures → ROLLER Catalogue.

See page 79 for adapter tongs. Pressing tongs/pressing rings for other press fitting systems on request.

System	Pressing tongs Mini/pressing rings	Drive with adapter tongs	Art.-No.	€	
Conex Bänninger >B< Press	V 12		578324	146,98	
	V 14		578326	146,98	
	V 15		578328	146,98	
	V 16		578330	146,98	
	V 18		578332	146,98	
	V 22		578334	146,98	
	V 28		578336	146,98	
	V 35		578604	178,12	
	V 12 S (PR-2B)	Mini Z8	574748 R	124,51	
	V 14 S (PR-2B)	Mini Z8	574800 R	124,51	
	V 15 S (PR-2B)	Mini Z8	574752 R	124,51	
	V 16 S (PR-2B)	Mini Z8	574802 R	124,51	
	V 18 S (PR-2B)	Mini Z8	574756 R	124,51	
	V 22 S (PR-2B)	Mini Z8	574758 R	124,51	
	V 28 S (PR-2B)	Mini Z8	574760 R	124,51	
	V 35 S (PR-2B)	Mini Z8	574762 R	136,96	
	M 15		578312	146,98	
	M 22		578316	146,98	
	M 28		578318	146,98	
	Conex Bänninger >B< Press Carbon	V 15		578328	146,98
V 18			578332	146,98	
V 22			578334	146,98	
V 28			578336	146,98	
V 35			578604	178,12	
V 15 S (PR-2B)		Mini Z8	574752 R	124,51	
V 18 S (PR-2B)		Mini Z8	574756 R	124,51	
V 22 S (PR-2B)		Mini Z8	574758 R	124,51	
V 28 S (PR-2B)		Mini Z8	574760 R	124,51	
V 35 S (PR-2B)		Mini Z8	574762 R	136,96	
Conex Bänninger >B< Press Gas		V 12		578324	146,98
		V 14		578326	146,98
		V 15		578328	146,98
	V 16		578330	146,98	
	V 18		578332	146,98	
	V 22		578334	146,98	
	V 28		578336	146,98	
	V 35		578604	178,12	
	V 12 S (PR-2B)	Mini Z8	574748 R	124,51	
	V 14 S (PR-2B)	Mini Z8	574800 R	124,51	
	V 15 S (PR-2B)	Mini Z8	574752 R	124,51	
	V 16 S (PR-2B)	Mini Z8	574802 R	124,51	
	V 18 S (PR-2B)	Mini Z8	574756 R	124,51	
V 22 S (PR-2B)	Mini Z8	574758 R	124,51		
V 28 S (PR-2B)	Mini Z8	574760 R	124,51		
V 35 S (PR-2B)	Mini Z8	574762 R	136,96		
Conex Bänninger >B< Press Inox	V 15		578328	146,98	
	V 18		578332	146,98	
	V 22		578334	146,98	
	V 28		578336	146,98	
	V 35		578604	178,12	
	V 15 S (PR-2B)	Mini Z8	574752 R	124,51	
	V 18 S (PR-2B)	Mini Z8	574756 R	124,51	
	V 22 S (PR-2B)	Mini Z8	574758 R	124,51	
	V 28 S (PR-2B)	Mini Z8	574760 R	124,51	
	V 35 S (PR-2B)	Mini Z8	574762 R	136,96	
	Conex Bänninger >B< Press Solar	V 12		578324	146,98
		V 14		578326	146,98
		V 15		578328	146,98
V 16			578330	146,98	
V 18			578332	146,98	
V 22			578334	146,98	
V 28			578336	146,98	
V 35			578604	178,12	
V 12 S (PR-2B)		Mini Z8	574748 R	124,51	
V 14 S (PR-2B)		Mini Z8	574800 R	124,51	
V 15 S (PR-2B)		Mini Z8	574752 R	124,51	
V 16 S (PR-2B)		Mini Z8	574802 R	124,51	
V 18 S (PR-2B)		Mini Z8	574756 R	124,51	
V 22 S (PR-2B)	Mini Z8	574758 R	124,51		
V 28 S (PR-2B)	Mini Z8	574760 R	124,51		
V 35 S (PR-2B)	Mini Z8	574762 R	136,96		

D

Debrunner Acifer d-a Presssystem C-Stahl	M 12		578310	146,98
	M 15		578312	146,98
	M 18		578314	146,98
	M 22		578316	146,98
	M 28		578318	146,98
	M 35		578390	178,12
	M 12 S (PR-2B)	Mini Z8	574736 R	124,51
	M 15 S (PR-2B)	Mini Z8	574738 R	124,51
	M 18 S (PR-2B)	Mini Z8	574740 R	124,51
	M 22 S (PR-2B)	Mini Z8	574742 R	124,51
	M 28 S (PR-2B)	Mini Z8	574744 R	124,51
	M 35 S (PR-2B)	Mini Z8	574746 R	136,96
	DUOPIPE SYSTEMS	U 16		578374
DUOFLI MKSYSTEM	U 18		578376	165,66
	U 20		578378	165,66
DW Verbundrohr multitubo systems	U 25		578380	165,66
	U 32		578382	194,31
	U 16		578374	165,66
	U 18		578376	165,66
	U 20		578378	165,66
	U 25		578380	165,66
	U 32		578382	194,31

System	Pressing tongs Mini/pressing rings	Drive with adapter tongs	Art.-No.	€	
E					
EBRILLE Isomomflex	U 16		578374	165,66	
	U 20		578378	165,66	
	U 25		578380	165,66	
	U 32		578382	194,31	
	H 26		578410	159,75	
	TH 26		578362 R	177,08	
	TH 26 S (PR-2B)**	Mini Z8	574794 R	124,51	
EBRILLE Monflex	U 16		578374	165,66	
	U 20		578378	165,66	
	U 25		578380	165,66	
	U 32		578382	194,31	
	H 26		578410	159,75	
	TH 26		578362 R	177,08	
	TH 26 S (PR-2B)**	Mini Z8	574794 R	124,51	
EFFEBI	M 15		578312	146,98	
	M 18		578314	146,98	
	Aisi316		578316	146,98	
	System M Profile ¹⁾		578318	146,98	
	M 35		578390	178,12	
	M 15 S (PR-2B)	Mini Z8	574738 R	124,51	
	M 18 S (PR-2B)	Mini Z8	574740 R	124,51	
	M 22 S (PR-2B)	Mini Z8	574742 R	124,51	
	M 28 S (PR-2B)	Mini Z8	574744 R	124,51	
	M 35 S (PR-2B)	Mini Z8	574746 R	136,96	
	EFFEBI EFFEBI-PRESS	V 12		578324	146,98
		V 15		578328	146,98
		Aisi316		578332	146,98
System V Profile			578334	146,98	
V 28			578336	146,98	
V 35			578604	178,12	
V 12 S (PR-2B)		Mini Z8	574748 R	124,51	
V 15 S (PR-2B)		Mini Z8	574752 R	124,51	
V 18 S (PR-2B)		Mini Z8	574756 R	124,51	
V 22 S (PR-2B)		Mini Z8	574758 R	124,51	
V 28 S (PR-2B)		Mini Z8	574760 R	124,51	
V 35 S (PR-2B)		Mini Z8	574762 R	136,96	
EFFEBI EFFEBI-PRESS		M 12		578310	146,98
	M 15		578312	146,98	
	M 18		578314	146,98	
	System M Profile ¹⁾		578316	146,98	
	M 28		578318	146,98	
	M 35		578390	178,12	
	M 12 S (PR-2B)	Mini Z8	574736 R	124,51	
	M 15 S (PR-2B)	Mini Z8	574738 R	124,51	
	M 18 S (PR-2B)	Mini Z8	574740 R	124,51	
	M 22 S (PR-2B)	Mini Z8	574742 R	124,51	
	M 28 S (PR-2B)	Mini Z8	574744 R	124,51	
	M 35 S (PR-2B)	Mini Z8	574746 R	136,96	
	EFFEBI EFFEBI-PRESS	V 12		578324	146,98
V 15			578328	146,98	
Carbon-S			578332	146,98	
System V Profile			578334	146,98	
V 28			578336	146,98	
V 35			578604	178,12	
V 12 S (PR-2B)		Mini Z8	574748 R	124,51	
V 15 S (PR-2B)		Mini Z8	574752 R	124,51	
V 18 S (PR-2B)		Mini Z8	574756 R	124,51	
V 22 S (PR-2B)		Mini Z8	574758 R	124,51	
V 28 S (PR-2B)		Mini Z8	574760 R	124,51	
V 35 S (PR-2B)		Mini Z8	574762 R	136,96	
EFFEBI EFFEBI-PRESS		V 12		578324	146,98
	V 14		578326	146,98	
	V 15		578328	146,98	
	COPPER		578330	146,98	
	V 18		578332	146,98	
	V 22		578334	146,98	
	V 28		578336	146,98	
	V 35		578604	178,12	
	V 12 S (PR-2B)	Mini Z8	574748 R	124,51	
	V 14 S (PR-2B)	Mini Z8	574800 R	124,51	
	V 15 S (PR-2B)	Mini Z8	574752 R	124,51	
	V 16 S (PR-2B)	Mini Z8	574802 R	124,51	
	V 18 S (PR-2B)	Mini Z8	574756 R	124,51	
V 22 S (PR-2B)	Mini Z8	574758 R	124,51		
V 28 S (PR-2B)	Mini Z8	574760 R	124,51		
V 35 S (PR-2B)	Mini Z8	574762 R	136,96		
EFFEBI EFFEBI-PRESS	V 12		578324	146,98	
	V 15		578328	146,98	
	V 18		578332	146,98	
	V 22		578334	146,98	
	V 28		578336	146,98	
	V 35		578604	178,12	
	V 12 S (PR-2B)	Mini Z8	574748 R	124,51	
	V 15 S (PR-2B)	Mini Z8	574752 R	124,51	
	V 18 S (PR-2B)	Mini Z8	574756 R	124,51	
	V 22 S (PR-2B)	Mini Z8	574758 R	124,51	
	V 28 S (PR-2B)	Mini Z8	574760 R	124,51	
	V 35 S (PR-2B)	Mini Z8	574762 R	136,96	
	EFFEBI EFFEBI-PRESS	V 12		578324	146,98
V 15			578328	146,98	
V 18			578332	146,98	
V 22			578334	146,98	
V 28			578336	146,98	
V 35			578604	178,12	
V 12 S (PR-2B)		Mini Z8	574748 R	124,51	
V 15 S (PR-2B)		Mini Z8	574752 R	124,51	
V 18 S (PR-2B)		Mini Z8	574756 R	124,51	
V 22 S (PR-2B)		Mini Z8	574758 R	124,51	
V 28 S (PR-2B)		Mini Z8	574760 R	124,51	
V 35 S (PR-2B)		Mini Z8	574762 R	136,96	

System	Pressing tongs Mini/pressing rings	Drive with adapter tongs	Art.-No.	€	System	Pressing tongs Mini/pressing rings	Drive with adapter tongs	Art.-No.	€
EFFEBI	V 12		578324	146,98	EFFEBI	TH 16		578352 R	177,08
EFFEBI-PRESS	V 15		578328	146,98	TOF	TH 18		578356	177,08
UNICO	V 18		578332	146,98	MULTIPINZA	TH 20		578358 R	177,08
(GAS)	V 22		578334	146,98		TH 25		578360	177,08
	V 28		578336	146,98		TH 26		578362 R	177,08
	V 35		578604	178,12		TH 32		578364	177,08
	V 12 S (PR-2B)	Mini Z8	574748 R	124,51		TH 40		578624	234,69
	V 15 S (PR-2B)	Mini Z8	574752 R	124,51		TH 16 S (PR-2B)**	Mini Z8	574782 R	124,51
	V 18 S (PR-2B)	Mini Z8	574756 R	124,51		TH 18 S (PR-2B)**	Mini Z8	574786 R	124,51
	V 22 S (PR-2B)	Mini Z8	574758 R	124,51		TH 20 S (PR-2B)**	Mini Z8	574788 R	124,51
	V 28 S (PR-2B)	Mini Z8	574760 R	124,51		TH 25 S (PR-2B)**	Mini Z8	574792 R	124,51
	V 35 S (PR-2B)	Mini Z8	574762 R	136,96		TH 26 S (PR-2B)**	Mini Z8	574794 R	124,51
EFFEBI	M 15		578312	146,98		TH 32 S (PR-2B)	Mini Z8	574798 R	136,96
PRESSTIGE	M 18		578314	146,98		F 16		578456	168,68
	M 22		578316	146,98		F 18		578458	168,68
	M 28		578318	146,98		F 20		578460	168,68
	M 35		578390	178,12		F 26		578462	182,48
	M 15 S (PR-2B)	Mini Z8	574738 R	124,51		F 32		578464	182,48
	M 18 S (PR-2B)	Mini Z8	574740 R	124,51		Fz 40		578478	247,15
	M 22 S (PR-2B)	Mini Z8	574742 R	124,51		F 16 S (PR-2B)**	Mini Z8	574728 R	124,51
	M 28 S (PR-2B)	Mini Z8	574744 R	124,51		F 20 S (PR-2B)**	Mini Z8	574730 R	124,51
	M 35 S (PR-2B)	Mini Z8	574746 R	136,96		F 26 S (PR-2B)**	Mini Z8	574732 R	124,51
	V 15		578328	146,98		F 32 S (PR-2B)	Mini Z8	574734 R	136,96
	V 18		578332	146,98		H 16		578400	159,75
	V 22		578334	146,98		H 18		578404	159,75
	V 28		578336	146,98		H 20		578406	159,75
	V 35		578604	178,12		H 25		578408	159,75
	V 15 S (PR-2B)	Mini Z8	574752 R	124,51		H 26		578410	159,75
	V 18 S (PR-2B)	Mini Z8	574756 R	124,51		H 32		578412	159,75
	V 22 S (PR-2B)	Mini Z8	574758 R	124,51		U 16		578374	165,66
	V 28 S (PR-2B)	Mini Z8	574760 R	124,51		U 18		578376	165,66
	V 35 S (PR-2B)	Mini Z8	574762 R	136,96		U 20		578378	165,66
EFFEBI	M 15		578312	146,98		U 25		578380	165,66
PRESSTIGE 4E05	M 18		578314	146,98		U 26 ⁷⁾		578392	194,31
	M 22		578316	146,98		U 32		578382	194,31
	M 28		578318	146,98		U 40		578386	236,66
	M 35		578390	178,12		B 16		578468	193,28
	M 15 S (PR-2B)	Mini Z8	574738 R	124,51		B 18		578470	193,28
	M 18 S (PR-2B)	Mini Z8	574740 R	124,51		B 20		578472	193,28
	M 22 S (PR-2B)	Mini Z8	574742 R	124,51		B 26		578474	213,00
	M 28 S (PR-2B)	Mini Z8	574744 R	124,51		B 32		578476	213,00
	M 35 S (PR-2B)	Mini Z8	574746 R	136,96					
EFFEBI	M 15		578312	146,98	EFIELD	U 16		578374	165,66
PRESSTIGE-GAS	M 18		578314	146,98	MULTILAYER PRESS	U 18		578376	165,66
	M 22		578316	146,98	DINGAS	U 20		578378	165,66
	M 28		578318	146,98		U 25		578380	165,66
	M 35		578390	178,12		U 32		578382	194,31
	M 15 S (PR-2B)	Mini Z8	574738 R	124,51	EFIELD	U 16		578374	165,66
	M 18 S (PR-2B)	Mini Z8	574740 R	124,51	MULTILAYER PRESS	U 18		578376	165,66
	M 22 S (PR-2B)	Mini Z8	574742 R	124,51	WATER	U 20		578378	165,66
	M 28 S (PR-2B)	Mini Z8	574744 R	124,51		U 25		578380	165,66
	M 35 S (PR-2B)	Mini Z8	574746 R	136,96		U 32		578382	194,31
	V 15		578328	146,98	Elkhart	VUS ½" (OD 15,9 mm)		578566	177,50
	V 18		578332	146,98	APOLLOXPRESS	VUS ¾" (OD 22,2 mm)		578568	177,50
	V 22		578334	146,98	Fittings Copper	VUS 1" (OD 28,6 mm)		578570	177,50
	V 28		578336	146,98	and Low-Lead Brass	VUS 1¼" (OD 34,9 mm)		578606	177,50
	V 35		578604	178,12	EMMETI	B 16		578468	193,28
	V 15 S (PR-2B)	Mini Z8	574752 R	124,51	GERPEX-	B 20		578472	193,28
	V 18 S (PR-2B)	Mini Z8	574756 R	124,51	FIVPRESS	B 26		578474	213,00
	V 22 S (PR-2B)	Mini Z8	574758 R	124,51		B 32		578476	213,00
	V 28 S (PR-2B)	Mini Z8	574760 R	124,51		F 16		578456	168,68
	V 35 S (PR-2B)	Mini Z8	574762 R	136,96		F 20		578460	168,68
EFFEBI	TH 16		578352 R	177,08		H 16		578400	159,75
TOF-GAS	TH 20		578358 R	177,08		H 20		578406	159,75
MULTIPINZA	TH 26		578362 R	177,08		TH 16		578352 R	177,08
	TH 32		578364	177,08		TH 20		578358 R	177,08
	TH 16 S (PR-2B)**	Mini Z8	574782 R	124,51		TH 26		578362 R	177,08
	TH 20 S (PR-2B)**	Mini Z8	574788 R	124,51		TH 32		578364	177,08
	TH 26 S (PR-2B)**	Mini Z8	574794 R	124,51		TH 40		578624	234,69
	TH 32 S (PR-2B)	Mini Z8	574798 R	136,96		U 16		578374	165,66
	H 16		578400	159,75		U 20		578378	165,66
	H 20		578406	159,75	EMPUR	TH 14		578348	177,08
	H 26		578410	159,75		TH 15		578350	177,08
	H 32		578412	159,75		TH 16		578352 R	177,08
	U 16		578374	165,66		TH 17		578354	177,08
	U 20		578378	165,66		TH 20		578358 R	177,08
	U 32		578382	194,31		TH 25		578360	177,08
						TH 14 S (PR-2B)**	Mini Z8	574778 R	124,51
						TH 15 S (PR-2B)**	Mini Z8	574780 R	124,51
						TH 16 S (PR-2B)**	Mini Z8	574782 R	124,51
						TH 17 S (PR-2B)**	Mini Z8	574784 R	124,51
						TH 20 S (PR-2B)**	Mini Z8	574788 R	124,51
						TH 25 S (PR-2B)**	Mini Z8	574792 R	124,51

Pressfitting systems for gas installations may only be pressed with the pressing tongs Mini which are highlighted in yellow in the table. Observe the national regulations. Read and observe the system provider's/manufacturer's instructions for use and assembly instructions.

** Can also be driven by the ROLLER'S Easy-Press manual radial press using the Z8 adapter tongs, see page 90. Observe the national regulations.

¹⁾ Only pressing tongs from designation "108" (1st quarter of 2008), "208" (2nd quarter of 2008) etc. can be used. The designation is stamped on every pressing jaw.

²⁾ For accommodating suitable pressing inserts.

³⁾ Only pressing tongs from designation "117" (1st quarter of 201), "217" (2nd quarter of 2017) etc. can be used. The designation is stamped on every pressing jaw.

⁴⁾ For pipes with the EN technical standard. Observe the system provider's/manufacturer's instructions for use.

⁶⁾ Only use Mini pressing tongs identified by "VMP ½" G" on the pressing jaws for gas installations.

⁷⁾ Previous designation: Mini C 26 pressing tongs

⁹⁾ For pipes with the ASTM technical standard. Observe the system provider's/manufacturer's instructions for use.

Suitability of the ROLLER'S pressing tools for pressfitting systems: Status 27.10.2023. The current status can be found on the Internet: www.albert-roller.de → Downloads → Product Catalogues, Brochures → ROLLER Catalogue. See page 79 for adapter tongs. Pressing tongs/pressing rings for other press fitting systems on request.

System	Pressing tongs Mini/pressing rings	Drive with adapter tongs	Art.-No.	€	
Esta Rohr	M 15		578312	146,98	
simplesta SH M	M 18		578314	146,98	
	M 22		578316	146,98	
	M 28		578318	146,98	
	M 35		578390	178,12	
	M 15 S (PR-2B)	Mini Z8	574738 R	124,51	
	M 18 S (PR-2B)	Mini Z8	574740 R	124,51	
	M 22 S (PR-2B)	Mini Z8	574742 R	124,51	
Esta Rohr	M 28 S (PR-2B)	Mini Z8	574744 R	124,51	
	M 35 S (PR-2B)	Mini Z8	574746 R	136,96	
	M 15		578312	146,98	
	M 18		578314	146,98	
	M 22		578316	146,98	
	M 28		578318	146,98	
	M 35		578390	178,12	
simplesta ST M	M 15 S (PR-2B)	Mini Z8	574738 R	124,51	
	M 18 S (PR-2B)	Mini Z8	574740 R	124,51	
	M 22 S (PR-2B)	Mini Z8	574742 R	124,51	
	M 28 S (PR-2B)	Mini Z8	574744 R	124,51	
	M 35 S (PR-2B)	Mini Z8	574746 R	136,96	
	EUROTUBI	M 12		578310	146,98
	EUROPA	M 15		578312	146,98
C-Steel Pressfitting	M 18		578314	146,98	
System M-Profile ¹⁾	M 22		578316	146,98	
	M 28		578318	146,98	
	M 35		578390	178,12	
	M 12 S (PR-2B)	Mini Z8	574736 R	124,51	
	M 15 S (PR-2B)	Mini Z8	574738 R	124,51	
	M 18 S (PR-2B)	Mini Z8	574740 R	124,51	
	M 22 S (PR-2B)	Mini Z8	574742 R	124,51	
	M 28 S (PR-2B)	Mini Z8	574744 R	124,51	
	M 35 S (PR-2B)	Mini Z8	574746 R	136,96	
	EUROTUBI	M 15		578312	146,98
	EUROPA	M 18		578314	146,98
	Inox Pressfitting	M 22		578316	146,98
	System M-Profile ¹⁾	M 28		578318	146,98
		M 35		578390	178,12
M 15 S (PR-2B)		Mini Z8	574738 R	124,51	
M 18 S (PR-2B)		Mini Z8	574740 R	124,51	
M 22 S (PR-2B)		Mini Z8	574742 R	124,51	
M 28 S (PR-2B)		Mini Z8	574744 R	124,51	
M 35 S (PR-2B)		Mini Z8	574746 R	136,96	
Evans	VAU 15 (1/2") (OD 12,7 mm)		578630	151,86	
Components	VAU 20 (3/4") (OD 19,1 mm)		578632	151,86	
Presslok	VAU 25 (1") (OD 25,4 mm)		578634	151,86	
F					
FAR Rubinetterie	TH 14		578348	177,08	
PRESSFAR	TH 16		578352 R	177,08	
	TH 17		578354	177,08	
	TH 18		578356	177,08	
	TH 20		578358 R	177,08	
	TH 25		578360	177,08	
	TH 26		578362 R	177,08	
	TH 32		578364	177,08	
	TH 40		578624	234,69	
	TH 14 S (PR-2B)**	Mini Z8	574778 R	124,51	
	TH 16 S (PR-2B)**	Mini Z8	574782 R	124,51	
	TH 17 S (PR-2B)**	Mini Z8	574784 R	124,51	
	TH 18 S (PR-2B)**	Mini Z8	574786 R	124,51	
	TH 20 S (PR-2B)**	Mini Z8	574788 R	124,51	
	TH 25 S (PR-2B)**	Mini Z8	574792 R	124,51	
	TH 26 S (PR-2B)**	Mini Z8	574794 R	124,51	
	TH 32 S (PR-2B)	Mini Z8	574798 R	136,96	
	H 14		578398	159,75	
	H 16		578400	159,75	
	H 18		578404	159,75	
	H 20		578406	159,75	
	H 26		578410	159,75	
	H 32		578412	159,75	
	U 14		578372	174,38	
	U 16		578374	165,66	
	U 18		578376	165,66	
	U 20		578378	165,66	
	U 25		578380	165,66	
U 32		578382	194,31		
U 40		578386	236,66		
F.B.Q. BARONIO	V 12		578324	146,98	
BQ PRESS SOLAR	V 14		578326	146,98	
	V 15		578328	146,98	
	V 16		578330	146,98	
	V 18		578332	146,98	
	V 22		578334	146,98	
	V 28		578336	146,98	
	V 35		578604	178,12	
	V 12 S (PR-2B)	Mini Z8	574748 R	124,51	
	V 14 S (PR-2B)	Mini Z8	574800 R	124,51	
	V 15 S (PR-2B)	Mini Z8	574752 R	124,51	
	V 16 S (PR-2B)	Mini Z8	574802 R	124,51	
	V 18 S (PR-2B)	Mini Z8	574756 R	124,51	
	V 22 S (PR-2B)	Mini Z8	574758 R	124,51	
	V 28 S (PR-2B)	Mini Z8	574760 R	124,51	
	V 35 S (PR-2B)	Mini Z8	574762 R	136,96	

System	Pressing tongs Mini/pressing rings	Drive with adapter tongs	Art.-No.	€	
F.B.Q. BARONIO	V 12		578324	146,98	
BQ PRESS WATER	V 14		578326	146,98	
	V 15		578328	146,98	
	V 16		578330	146,98	
	V 18		578332	146,98	
	V 22		578334	146,98	
	V 28		578336	146,98	
	V 35		578604	178,12	
	V 12 S (PR-2B)	Mini Z8	574748 R	124,51	
	V 14 S (PR-2B)	Mini Z8	574800 R	124,51	
	V 15 S (PR-2B)	Mini Z8	574752 R	124,51	
	V 16 S (PR-2B)	Mini Z8	574802 R	124,51	
	V 18 S (PR-2B)	Mini Z8	574756 R	124,51	
	V 22 S (PR-2B)	Mini Z8	574758 R	124,51	
	V 28 S (PR-2B)	Mini Z8	574760 R	124,51	
	V 35 S (PR-2B)	Mini Z8	574762 R	136,96	
	F.B.Q. BARONIO	V 12		578324	146,98
	BQ PRESS GAS	V 14		578326	146,98
V 15			578328	146,98	
V 16			578330	146,98	
V 18			578332	146,98	
V 22			578334	146,98	
V 28			578336	146,98	
V 35			578604	178,12	
V 12 S (PR-2B)		Mini Z8	574748 R	124,51	
V 14 S (PR-2B)		Mini Z8	574800 R	124,51	
V 15 S (PR-2B)		Mini Z8	574752 R	124,51	
V 16 S (PR-2B)		Mini Z8	574802 R	124,51	
V 18 S (PR-2B)		Mini Z8	574756 R	124,51	
V 22 S (PR-2B)		Mini Z8	574758 R	124,51	
V 28 S (PR-2B)		Mini Z8	574760 R	124,51	
V 35 S (PR-2B)		Mini Z8	574762 R	136,96	
FERCOFLOOR		RFz 16		578492	184,45
DUO Press		RFz 20		578494	184,45
FERCO PEX	RFz 25		578496	184,45	
	RFz 32		578498	184,45	
	TH 16		578352 R	177,08	
	TH 20		578358 R	177,08	
	TH 25		578360	177,08	
	TH 32		578364	177,08	
	TH 40		578624	234,69	
	TH 16 S (PR-2B)**	Mini Z8	574782 R	124,51	
	TH 20 S (PR-2B)**	Mini Z8	574788 R	124,51	
	TH 25 S (PR-2B)**	Mini Z8	574792 R	124,51	
	TH 32 S (PR-2B)	Mini Z8	574798 R	136,96	
	FERCOFLOOR	RFz 16		578492	184,45
	DUO Press	RFz 20		578494	184,45
	MULTIFER	RFz 25		578496	184,45
		RFz 32		578498	184,45
		TH 16		578352 R	177,08
		TH 20		578358 R	177,08
TH 25			578360	177,08	
TH 32			578364	177,08	
TH 40			578624	234,69	
TH 16 S (PR-2B)**		Mini Z8	574782 R	124,51	
TH 20 S (PR-2B)**		Mini Z8	574788 R	124,51	
TH 25 S (PR-2B)**		Mini Z8	574792 R	124,51	
TH 32 S (PR-2B)		Mini Z8	574798 R	136,96	
U 16			578374	165,66	
U 18			578376	165,66	
U 20			578378	165,66	
U 25			578380	165,66	
U 32			578382	194,31	
U 40			578386	236,66	
FERRO systems	TH 16		578352 R	177,08	
BRASELI	TH 20		578358 R	177,08	
	TH 25		578360	177,08	
	TH 32		578364	177,08	
	TH 16 S (PR-2B)**	Mini Z8	574782 R	124,51	
	TH 20 S (PR-2B)**	Mini Z8	574788 R	124,51	
	TH 25 S (PR-2B)**	Mini Z8	574792 R	124,51	
	TH 32 S (PR-2B)	Mini Z8	574798 R	136,96	
FERRO systems	U 16		578374	165,66	
BRASELI	U 18		578376	165,66	
	U 20		578378	165,66	
	U 25		578380	165,66	
	U 32		578382	194,31	
MULTICAPA	U 40		578386	236,66	
	FERRO systems	U 16	578374	165,66	
	BRASELI	U 18	578376	165,66	
		U 20	578378	165,66	
U 25		578380	165,66		
GPF PPSU	U 32	578382	194,31		
	U 40	578386	236,66		
	Pressfitting PEX y	U 25	578380	165,66	
MULTICAPA	U 32	578382	194,31		
	U 40	578386	236,66		
	FERRO systems	RFz 16	578492	184,45	
BRASELI	RFz 20	578494	184,45		
	RFz 25	578496	184,45		
	RFz 32	578498	184,45		
Pressfitting PEX	RFz 32	578312	146,98		
FILINOX	M 15		578312	146,98	
	M 18		578314	146,98	
	M 22		578316	146,98	
	M 28		578318	146,98	
	M 35		578390	178,12	
Instalpress Steel	M 15 S (PR-2B)	Mini Z8	574738 R	124,51	
	M 18 S (PR-2B)	Mini Z8	574740 R	124,51	
	M 22 S (PR-2B)	Mini Z8	574742 R	124,51	
	M 28 S (PR-2B)	Mini Z8	574744 R	124,51	
	M 35 S (PR-2B)	Mini Z8	574746 R	136,96	

System	Pressing tongs Mini/pressing rings	Drive with adapter tongs	Art.-No.	€	System	Pressing tongs Mini/pressing rings	Drive with adapter tongs	Art.-No.	€
FILINOX	M 15		578312	146,98	FORZA	V 15		578328	146,98
Instalpress Inox	M 18		578314	146,98	STAINLESS V PRESS (AUS)	V 28		578334	146,98
	M 22		578316	146,98		V 35		578336	146,98
	M 28		578318	146,98		V 15 S (PR-2B)	Mini Z8	578604	178,12
	M 35		578390	178,12		V 22 S (PR-2B)	Mini Z8	574752 R	124,51
	M 15 S (PR-2B)	Mini Z8	574738 R	124,51		V 28 S (PR-2B)	Mini Z8	574758 R	124,51
	M 18 S (PR-2B)	Mini Z8	574740 R	124,51		V 35 S (PR-2B)	Mini Z8	574760 R	124,51
	M 22 S (PR-2B)	Mini Z8	574742 R	124,51				574762 R	136,96
	M 28 S (PR-2B)	Mini Z8	574744 R	124,51	FRABO	M 15		578312	146,98
	M 35 S (PR-2B)	Mini Z8	574746 R	136,96	FRABOPRESS 316 GAS M	M 18		578314	146,98
FITTINGS ESTÁNDAR	RFz 16		578492	184,45		M 22		578316	146,98
ECO-PRESS	RFz 20		578494	184,45		M 28		578318	146,98
	RFz 25		578496	184,45		M 35		578390	178,12
	RFz 32		578498	184,45		M 15 S (PR-2B)	Mini Z8	574738 R	124,51
FITTINGS ESTÁNDAR	RFz 16		578492	184,45		M 18 S (PR-2B)	Mini Z8	574740 R	124,51
MULTICAPA	RFz 18		578638	184,45		M 22 S (PR-2B)	Mini Z8	574742 R	124,51
	RFz 20		578494	184,45		M 28 S (PR-2B)	Mini Z8	574744 R	124,51
	RFz 25		578496	184,45		M 35 S (PR-2B)	Mini Z8	574746 R	136,96
	RFz 32		578498	184,45	FRABO	V 15		578328	146,98
FITTINGS ESTÁNDAR	RFz 16		578492	184,45	FRABOPRESS 316 GAS V	V 18		578332	146,98
PE-X	RFz 20		578494	184,45		V 22		578334	146,98
	RFz 25		578496	184,45		V 28		578336	146,98
	RFz 32		578498	184,45		V 35		578604	178,12
						V 15 S (PR-2B)	Mini Z8	574752 R	124,51
FORNARA	B 16		578468	193,28		V 18 S (PR-2B)	Mini Z8	574756 R	124,51
	B 20		578472	193,28		V 22 S (PR-2B)	Mini Z8	574758 R	124,51
ForPress	B 26		578474	213,00		V 28 S (PR-2B)	Mini Z8	574760 R	124,51
	B 32		578476	213,00		V 35 S (PR-2B)	Mini Z8	574762 R	136,96
	F 16		578456	168,68	FRABO	M 15		578312	146,98
	F 20		578460	168,68	FRABOPRESS 316 M	M 18		578314	146,98
	F 26		578462	182,48		M 22		578316	146,98
	F 32		578464	182,48		M 28		578318	146,98
	F 16 S (PR-2B)**	Mini Z8	574728 R	124,51		M 35		578390	178,12
	F 20 S (PR-2B)**	Mini Z8	574730 R	124,51		M 15 S (PR-2B)	Mini Z8	574738 R	124,51
	F 26 S (PR-2B)**	Mini Z8	574732 R	124,51		M 18 S (PR-2B)	Mini Z8	574740 R	124,51
	F 32 S (PR-2B)	Mini Z8	574734 R	136,96		M 22 S (PR-2B)	Mini Z8	574742 R	124,51
	H 16		578400	159,75		M 28 S (PR-2B)	Mini Z8	574744 R	124,51
	H 20		578406	159,75		M 35 S (PR-2B)	Mini Z8	574746 R	136,96
	H 26		578410	159,75	FRABO	V 12		578324	146,98
	H 32		578412	159,75	FRABOPRESS 316 V	V 15		578328	146,98
	TH 16		578352 R	177,08		V 18		578332	146,98
	TH 20		578358 R	177,08		V 22		578334	146,98
	TH 26		578362 R	177,08		V 28		578336	146,98
	TH 32		578364	177,08		V 35		578604	178,12
	TH 16 S (PR-2B)**	Mini Z8	574782 R	124,51		V 12 S (PR-2B)	Mini Z8	574748 R	124,51
	TH 20 S (PR-2B)**	Mini Z8	574788 R	124,51		V 15 S (PR-2B)	Mini Z8	574752 R	124,51
TH 26 S (PR-2B)**	Mini Z8	574794 R	124,51		V 18 S (PR-2B)	Mini Z8	574756 R	124,51	
TH 32 S (PR-2B)	Mini Z8	574798 R	136,96		V 22 S (PR-2B)	Mini Z8	574758 R	124,51	
U 16		578374	165,66		V 28 S (PR-2B)	Mini Z8	574760 R	124,51	
U 20		578378	165,66		V 35 S (PR-2B)	Mini Z8	574762 R	136,96	
U 26 ⁷⁾		578392	194,31	FRABO	V 12		578324	146,98	
U 32		578382	194,31	FRABOPRESS CHROME	V 15		578328	146,98	
FORZA	K16/P18		578592	184,45		V 18		578332	146,98
WATER CRIMP (AUS)	K/20		578594	184,45		V 22		578334	146,98
	K/25		578596	184,45		V 12 S (PR-2B)	Mini Z8	574748 R	124,51
	K/32		578598	184,45		V 15 S (PR-2B)	Mini Z8	574752 R	124,51
	K1/40		578600	184,45		V 18 S (PR-2B)	Mini Z8	574756 R	124,51
FORZA STAINLESS	K16/P18		578592	184,45		V 22 S (PR-2B)	Mini Z8	574758 R	124,51
WATER CRIMP	K/20		578594	184,45	FRABO	M 15		578312	146,98
	U 16		578374	165,66	FRABOPRESS C-STEEL M	M 18		578314	146,98
FORZA	U 20		578378	165,66		M 22		578316	146,98
STESSO PEX	U 25		578380	165,66		M 28		578318	146,98
	U 32		578382	194,31		M 35		578390	178,12
	U 40		578386	236,66		M 15 S (PR-2B)	Mini Z8	574738 R	124,51
FORZA	K16/P18		578592	184,45		M 18 S (PR-2B)	Mini Z8	574740 R	124,51
GAS CRIMP (AUS)	K/20		578594	184,45		M 22 S (PR-2B)	Mini Z8	574742 R	124,51
	K/25		578596	184,45		M 28 S (PR-2B)	Mini Z8	574744 R	124,51
	K/32		578598	184,45		M 35 S (PR-2B)	Mini Z8	574746 R	136,96
	K1/40		578600	184,45	FRABO	V 12		578324	146,98
					FRABOPRESS C-STEEL V	V 15		578328	146,98
FORZA	VAU 15 (OD 12,7 mm)		578630	151,86		V 18		578332	146,98
COPPER V PRESS (AUS)	VAU 20 (OD 19,1 mm)		578632	151,86		V 22		578334	146,98
	VAU 25 (OD 25,4 mm)		578634	151,86		V 28		578336	146,98
	VAU 32 (OD 31,8 mm)		578636	159,75		V 35		578604	178,12
	VAU 15 S (PR-2B) (OD 12,7 mm)	Mini Z8	574804 R	124,51		V 12 S (PR-2B)	Mini Z8	574748 R	124,51
	VAU 20 S (PR-2B)** (OD 19,1 mm)	Mini Z8	574806 R	124,51		V 15 S (PR-2B)	Mini Z8	574752 R	124,51
	VAU 25 S (PR-2B)** (OD 25,4 mm)	Mini Z8	574808 R	136,96		V 18 S (PR-2B)	Mini Z8	574756 R	124,51
						V 22 S (PR-2B)	Mini Z8	574758 R	124,51
					V 28 S (PR-2B)	Mini Z8	574760 R	124,51	
					V 35 S (PR-2B)	Mini Z8	574762 R	136,96	

Pressfitting systems for gas installations may only be pressed with the pressing tongs Mini which are highlighted in yellow in the table.

Observe the national regulations. Read and observe the system provider's/manufacturer's instructions for use and assembly instructions.

** Can also be driven by the ROLLER'S Easy-Press manual radial press using the Z8 adapter tongs, see page 90. Observe the national regulations.

¹⁾ Only pressing tongs from designation "108" (1st quarter of 2008), "208" (2nd quarter of 2008) etc. can be used. The designation is stamped on every pressing jaw.

²⁾ For accommodating suitable pressing inserts.

³⁾ Only pressing tongs from designation "117" (1st quarter of 201), "217" (2nd quarter of 2017) etc. can be used. The designation is stamped on every pressing jaw.

⁴⁾ For pipes with the EN technical standard. Observe the system provider's/manufacturer's instructions for use.

⁵⁾ Only use Mini pressing tongs identified by "VMP ½" G" on the pressing jaws for gas installations.

⁷⁾ Previous designation: Mini C 26 pressing tongs

⁹⁾ For pipes with the ASTM technical standard. Observe the system provider's/manufacturer's instructions for use.

Suitability of the ROLLER'S pressing tools for pressfitting systems: Status 27.10.2023. The current status can be found on the Internet:

www.albert-roller.de → Downloads → Product Catalogues, Brochures → ROLLER Catalogue.

See page 79 for adapter tongs. Pressing tongs/pressing rings for other press fitting systems on request.

ROLLER'S pressing tongs Mini / pressing rings

Accessory for ROLLER'S 22kN radial presses

System	Pressing tongs Mini/pressing rings	Drive with adapter tongs	Art.-No.	€
FRABO	M 12		578310	146,98
FRABOPRESS	M 15		578312	146,98
GAS M	M 18		578314	146,98
	M 22		578316	146,98
	M 28		578318	146,98
	M 35		578390	178,12
	M 12 S (PR-2B)	Mini Z8	574736 R	124,51
	M 15 S (PR-2B)	Mini Z8	574738 R	124,51
	M 18 S (PR-2B)	Mini Z8	574740 R	124,51
	M 22 S (PR-2B)	Mini Z8	574742 R	124,51
	M 28 S (PR-2B)	Mini Z8	574744 R	124,51
	M 35 S (PR-2B)	Mini Z8	574746 R	136,96
FRABO	V 12		578324	146,98
FRABOPRESS	V 15		578328	146,98
GAS V	V 18		578332	146,98
	V 22		578334	146,98
	V 28		578336	146,98
	V 35		578604	178,12
	V 12 S (PR-2B)	Mini Z8	574748 R	124,51
	V 15 S (PR-2B)	Mini Z8	574752 R	124,51
	V 18 S (PR-2B)	Mini Z8	574756 R	124,51
	V 22 S (PR-2B)	Mini Z8	574758 R	124,51
	V 28 S (PR-2B)	Mini Z8	574760 R	124,51
	V 35 S (PR-2B)	Mini Z8	574762 R	136,96
FRABO	V 12		578324	146,98
FRABOPRESS	V 15		578328	146,98
KOMBI	V 18		578332	146,98
	V 22		578334	146,98
	V 28		578336	146,98
	V 35		578604	178,12
	V 12 S (PR-2B)	Mini Z8	574748 R	124,51
	V 15 S (PR-2B)	Mini Z8	574752 R	124,51
	V 18 S (PR-2B)	Mini Z8	574756 R	124,51
	V 22 S (PR-2B)	Mini Z8	574758 R	124,51
	V 28 S (PR-2B)	Mini Z8	574760 R	124,51
	V 35 S (PR-2B)	Mini Z8	574762 R	136,96
FRABO	M 12		578310	146,98
FRABOPRESS M	M 15		578312	146,98
	M 18		578314	146,98
	M 22		578316	146,98
	M 28		578318	146,98
	M 35		578390	178,12
	M 12 S (PR-2B)	Mini Z8	574736 R	124,51
	M 15 S (PR-2B)	Mini Z8	574738 R	124,51
	M 18 S (PR-2B)	Mini Z8	574740 R	124,51
	M 22 S (PR-2B)	Mini Z8	574742 R	124,51
	M 28 S (PR-2B)	Mini Z8	574744 R	124,51
	M 35 S (PR-2B)	Mini Z8	574746 R	136,96
FRABO	V 15		578328	146,98
FRABOPRESS	V 18		578332	146,98
SOLAR	V 22		578334	146,98
	V 28		578336	146,98
	V 35		578604	178,12
	V 15 S (PR-2B)	Mini Z8	574752 R	124,51
	V 18 S (PR-2B)	Mini Z8	574756 R	124,51
	V 22 S (PR-2B)	Mini Z8	574758 R	124,51
	V 28 S (PR-2B)	Mini Z8	574760 R	124,51
	V 35 S (PR-2B)	Mini Z8	574762 R	136,96
FRABO	V 12		578324	146,98
FRABOPRESS V	V 15		578328	146,98
	V 18		578332	146,98
	V 22		578334	146,98
	V 28		578336	146,98
	V 35		578604	178,12
	V 12 S (PR-2B)	Mini Z8	574748 R	124,51
	V 15 S (PR-2B)	Mini Z8	574752 R	124,51
	V 18 S (PR-2B)	Mini Z8	574756 R	124,51
	V 22 S (PR-2B)	Mini Z8	574758 R	124,51
	V 28 S (PR-2B)	Mini Z8	574760 R	124,51
	V 35 S (PR-2B)	Mini Z8	574762 R	136,96
Fränkische	F 16		578456	168,68
alpex-duo XS	F 20		578460	168,68
	F 26		578462	182,48
	F 32		578464	182,48
	F 16 S (PR-2B)**	Mini Z8	574728 R	124,51
	F 20 S (PR-2B)**	Mini Z8	574730 R	124,51
	F 26 S (PR-2B)**	Mini Z8	574732 R	124,51
	F 32 S (PR-2B)**	Mini Z8	574734 R	136,96
	TH 16		578352 R	177,08
	TH 20		578358 R	177,08
	TH 26		578362 R	177,08
	TH 32		578364	177,08
	TH 16 S (PR-2B)**	Mini Z8	574782 R	124,51
	TH 20 S (PR-2B)**	Mini Z8	574788 R	124,51
	TH 26 S (PR-2B)**	Mini Z8	574794 R	124,51
	TH 32 S (PR-2B)**	Mini Z8	574798 R	136,96

System	Pressing tongs Mini/pressing rings	Drive with adapter tongs	Art.-No.	€
Fränkische	F 16		578456	168,68
alpex F50 PROFI	F 20		578460	168,68
	F 26		578462	182,48
	F 32		578464	182,48
	F 16 S (PR-2B)**	Mini Z8	574728 R	124,51
	F 20 S (PR-2B)**	Mini Z8	574730 R	124,51
	F 26 S (PR-2B)**	Mini Z8	574732 R	124,51
	F 32 S (PR-2B)**	Mini Z8	574734 R	136,96
	H 16		578400	159,75
	H 20		578406	159,75
	H 26		578410	159,75
	H 32		578412	159,75
	TH 16		578352 R	177,08
	TH 20		578358 R	177,08
	TH 26		578362 R	177,08
	TH 32		578364	177,08
	TH 16 S (PR-2B)**	Mini Z8	574782 R	124,51
	TH 20 S (PR-2B)**	Mini Z8	574788 R	124,51
	TH 26 S (PR-2B)**	Mini Z8	574794 R	124,51
	TH 32 S (PR-2B)**	Mini Z8	574798 R	136,96
	U 16		578374	165,66
	U 20		578378	165,66
(DN 26)	U 25		578380	165,66
	U 32		578382	194,31
	VP 16		578482	176,56
	VP 20		578484	176,56
	VP 32		578488	195,25
Fränkische	Fz 40		578478	247,15
alpex L				

G

gabotherm H+S	TH 10		578342	177,08
	TH 12		578346	177,08
	TH 14		578348	177,08
	TH 15		578350	177,08
	TH 16		578352 R	177,08
	TH 17		578354	177,08
	TH 18		578356	177,08
	TH 20		578358 R	177,08
	TH 25		578360	177,08
	TH 26		578362 R	177,08
	TH 32		578364	177,08
	TH 40		578624	234,69
	TH 10 S (PR-2B)**	Mini Z8	574772 R	124,51
	TH 12 S (PR-2B)**	Mini Z8	574776 R	124,51
	TH 14 S (PR-2B)**	Mini Z8	574778 R	124,51
	TH 15 S (PR-2B)**	Mini Z8	574780 R	124,51
	TH 16 S (PR-2B)**	Mini Z8	574782 R	124,51
	TH 17 S (PR-2B)**	Mini Z8	574784 R	124,51
	TH 18 S (PR-2B)**	Mini Z8	574786 R	124,51
	TH 20 S (PR-2B)**	Mini Z8	574788 R	124,51
	TH 25 S (PR-2B)**	Mini Z8	574792 R	124,51
	TH 26 S (PR-2B)**	Mini Z8	574794 R	124,51
	TH 32 S (PR-2B)**	Mini Z8	574798 R	136,96
Gallagher USA	H 12 (¾")		578396	159,75
YogaPipe ACR	U 14 (¾")		578372	174,38
	U 16 (¾")		578374	165,66
	U 18 (¾")		578376	165,66
	U 20 (¾")		578378	165,66
	U 25 (¾")		578380	165,66
	U 32 (1½")		578382	194,31
Geberit Mapress	M 12		578310	146,98
C-STAHl	M 15		578312	146,98
	M 18		578314	146,98
	M 22		578316	146,98
	M 28		578318	146,98
	M 35		578390	178,12
	M 12 S (PR-2B)	Mini Z8	574736 R	124,51
	M 15 S (PR-2B)	Mini Z8	574738 R	124,51
	M 18 S (PR-2B)	Mini Z8	574740 R	124,51
	M 22 S (PR-2B)	Mini Z8	574742 R	124,51
	M 28 S (PR-2B)	Mini Z8	574744 R	124,51
	M 35 S (PR-2B)	Mini Z8	574746 R	136,96
Geberit Mapress	M 22		578316	146,98
C-STAHl Sprinkler	M 28		578318	146,98
nass				146,98
Geberit Mapress	M 12		578310	146,98
Edelstahl	M 15		578312	146,98
	M 18		578314	146,98
	M 22		578316	146,98
	M 28		578318	146,98
	M 35		578390	178,12
	M 12 S (PR-2B)	Mini Z8	574736 R	124,51
	M 15 S (PR-2B)	Mini Z8	574738 R	124,51
	M 18 S (PR-2B)	Mini Z8	574740 R	124,51
	M 22 S (PR-2B)	Mini Z8	574742 R	124,51
	M 28 S (PR-2B)	Mini Z8	574744 R	124,51
	M 35 S (PR-2B)	Mini Z8	574746 R	136,96

System	Pressing tongs Mini/pressing rings	Drive with adapter tongs	Art.-No.	€	
Geberit Mapress Edelstahl Gas	M 15		578312	146,98	
	M 18		578314	146,98	
	M 22		578316	146,98	
	M 28		578318	146,98	
	M 35		578390	178,12	
	M 15 S (PR-2B)	Mini Z8	574738 R	124,51	
	M 18 S (PR-2B)	Mini Z8	574740 R	124,51	
	M 22 S (PR-2B)	Mini Z8	574742 R	124,51	
	M 28 S (PR-2B)	Mini Z8	574744 R	124,51	
	M 35 S (PR-2B)	Mini Z8	574746 R	136,96	
Geberit Mapress Edelstahl Sprinkler	M 22		578316	146,98	
	M 28		578318	146,98	
Geberit Mapress Kupfer	M 12		578310	146,98	
	M 15		578312	146,98	
	M 18		578314	146,98	
	M 22		578316	146,98	
	M 28		578318	146,98	
	M 35		578390	178,12	
	M 12 S (PR-2B)	Mini Z8	574736 R	124,51	
	M 15 S (PR-2B)	Mini Z8	574738 R	124,51	
	M 18 S (PR-2B)	Mini Z8	574740 R	124,51	
	M 22 S (PR-2B)	Mini Z8	574742 R	124,51	
	M 28 S (PR-2B)	Mini Z8	574744 R	124,51	
	M 35 S (PR-2B)	Mini Z8	574746 R	136,96	
	Geberit Mapress Kupfer Gas	M 15		578312	146,98
		M 18		578314	146,98
		M 22		578316	146,98
M 28			578318	146,98	
M 35			578390	178,12	
M 15 S (PR-2B)		Mini Z8	574738 R	124,51	
M 18 S (PR-2B)		Mini Z8	574740 R	124,51	
M 22 S (PR-2B)		Mini Z8	574742 R	124,51	
M 28 S (PR-2B)		Mini Z8	574744 R	124,51	
M 35 S (PR-2B)		Mini Z8	574746 R	136,96	
Geberit Mepla	G 16		578444	177,50	
	G 20		578446	177,50	
	G 26		578448	188,40	
	G 32		578450	201,16	
	G 40		578452	260,33	
Geberit Mepla Therm	G 16		578444	177,50	
	G 20		578446	177,50	
	G 26		578448	188,40	
Geberit Volex	TH 16		578352 R	177,08	
	TH 20		578358 R	177,08	
	TH 26		578362 R	177,08	
General Fittings 5T00	H 16		578400	159,75	
	H 20		578406	159,75	
	H 26		578410	159,75	
	H 32		578412	159,75	
	TH 16		578352 R	177,08	
	TH 20		578358 R	177,08	
	TH 26		578362 R	177,08	
	TH 32		578364	177,08	
	TH 40		578624	234,69	
	TH 16 S (PR-2B)**	Mini Z8	574782 R	124,51	
	TH 20 S (PR-2B)**	Mini Z8	574788 R	124,51	
	TH 26 S (PR-2B)**	Mini Z8	574794 R	124,51	
	TH 32 S (PR-2B)	Mini Z8	574798 R	136,96	
	U 16		578374	165,66	
	U 20		578378	165,66	
U 32		578382	194,31		
U 40		578386	236,66		
General Fittings Ewoprex	H 16		578400	159,75	
	H 20		578406	159,75	
	H 26		578410	159,75	
	H 32		578412	159,75	
	TH 16		578352 R	177,08	
	TH 20		578358 R	177,08	
	TH 26		578362 R	177,08	
	TH 32		578364	177,08	
	TH 40		578624	234,69	
	TH 16 S (PR-2B)**	Mini Z8	574782 R	124,51	
	TH 20 S (PR-2B)**	Mini Z8	574788 R	124,51	
	TH 26 S (PR-2B)**	Mini Z8	574794 R	124,51	
	TH 32 S (PR-2B)	Mini Z8	574798 R	136,96	
	U 16		578374	165,66	
	U 20		578378	165,66	
U 32		578382	194,31		
U 40		578386	236,66		

System	Pressing tongs Mini/pressing rings	Drive with adapter tongs	Art.-No.	€
General Fittings Serie SS00	B 16		578468	193,28
	B 18		578470	193,28
	B 20		578472	193,28
	B 26		578474	213,00
	B 32		578476	213,00
	F 16		578456	168,68
	F 20		578460	168,68
	F 26		578462	182,48
	F 32		578464	182,48
	F 16 S (PR-2B)**	Mini Z8	574728 R	124,51
	F 20 S (PR-2B)**	Mini Z8	574730 R	124,51
	F 26 S (PR-2B)**	Mini Z8	574732 R	124,51
	F 32 S (PR-2B)	Mini Z8	574734 R	136,96
	H 16		578400	159,75
	H 18		578404	159,75
	H 20		578406	159,75
	H 25		578408	159,75
	H 26		578410	159,75
	H 32		578412	159,75
	TH 16		578352 R	177,08
	TH 18		578356	177,08
	TH 20		578358 R	177,08
	TH 25		578360	177,08
	TH 26		578362 R	177,08
	TH 32		578364	177,08
	TH 40		578624	234,69
	TH 16 S (PR-2B)**	Mini Z8	574782 R	124,51
	TH 18 S (PR-2B)**	Mini Z8	574786 R	124,51
	TH 20 S (PR-2B)**	Mini Z8	574788 R	124,51
	TH 25 S (PR-2B)**	Mini Z8	574792 R	124,51
	TH 26 S (PR-2B)**	Mini Z8	574794 R	124,51
	TH 32 S (PR-2B)	Mini Z8	574798 R	136,96
	U 16		578374	165,66
	U 18		578376	165,66
	U 20		578378	165,66
U 25		578380	165,66	
U 32		578382	194,31	
U 40		578386	236,66	
General Fittings Trident	H 16		578400	159,75
	H 20		578406	159,75
	H 26		578410	159,75
	H 32		578412	159,75
	TH 16		578352 R	177,08
	TH 20		578358 R	177,08
	TH 26		578362 R	177,08
	TH 32		578364	177,08
	TH 16 S (PR-2B)**	Mini Z8	574782 R	124,51
	TH 20 S (PR-2B)**	Mini Z8	574788 R	124,51
TH 26 S (PR-2B)**	Mini Z8	574794 R	124,51	
TH 32 S (PR-2B)	Mini Z8	574798 R	136,96	
U 16		578374	165,66	
U 20		578378	165,66	
U 32		578382	194,31	
General Fittings Trident Gas	H 16		578400	159,75
	H 20		578406	159,75
	H 26		578410	159,75
	TH 16		578352 R	177,08
	TH 20		578358 R	177,08
	TH 26		578362 R	177,08
	TH 32		578364	177,08
	TH 16 S (PR-2B)**	Mini Z8	574782 R	124,51
	TH 20 S (PR-2B)**	Mini Z8	574788 R	124,51
	TH 26 S (PR-2B)**	Mini Z8	574794 R	124,51
	TH 32 S (PR-2B)	Mini Z8	574798 R	136,96
	U 16		578374	165,66
	U 20		578378	165,66
	U 32		578382	194,31
	Giacomini Raccordi RM Giacomini	H 16		578400
H 20			578406	159,75
H 26			578410	159,75
H 32			578412	159,75
TH 16			578352 R	177,08
TH 20			578358 R	177,08
TH 26			578362 R	177,08
TH 32			578364	177,08
TH 40			578624	234,69
U 16			578374	165,66
U 20		578378	165,66	
U 32		578382	194,31	
U 40		578386	236,66	

Pressfitting systems for gas installations may only be pressed with the pressing tongs Mini which are highlighted in yellow in the table.

Observe the national regulations. Read and observe the system provider's/manufacturer's instructions for use and assembly instructions.

** Can also be driven by the ROLLER'S Easy-Press manual radial press using the Z8 adapter tongs, see page 90. Observe the national regulations.

1) Only pressing tongs from designation "108" (1st quarter of 2008), "208" (2nd quarter of 2008) etc. can be used. The designation is stamped on every pressing jaw.

2) For accommodating suitable pressing inserts.

3) Only pressing tongs from designation "117" (1st quarter of 201), "217" (2nd quarter of 2017) etc. can be used. The designation is stamped on every pressing jaw.

4) For pipes with the EN technical standard. Observe the system provider's/manufacturer's instructions for use.

5) Only use Mini pressing tongs identified by "VMP 1/2" G" on the pressing jaws for gas installations.

7) Previous designation: Mini C 26 pressing tongs

9) For pipes with the ASTM technical standard. Observe the system provider's/manufacturer's instructions for use.

Suitability of the ROLLER'S pressing tools for pressfitting systems: Status 27.10.2023. The current status can be found on the Internet:

www.albert-roller.de → Downloads → Product Catalogues, Brochures → ROLLER Catalogue.

See page 79 for adapter tongs. Pressing tongs/pressing rings for other press fitting systems on request.

System	Pressing tongs Mini/pressing rings	Drive with adapter tongs	Art.-No.	€	
Giacomini RM MULTIGAS	H 16		578400	159,75	
	H 20		578406	159,75	
	H 26		578410	159,75	
	H 32		578412	159,75	
	TH 16		578352 R	177,08	
	TH 20		578358 R	177,08	
	TH 26		578362 R	177,08	
	TH 32		578364	177,08	
	U 16		578374	165,66	
	U 20		578378	165,66	
	U 32		578382	194,31	
	Giacomini Valvole Giacomini serie R850V	V 15		578328	146,98
		V 18		578332	146,98
V 22			578334	146,98	
V 28			578336	146,98	
V 35			578604	178,12	
V 15 S (PR-2B)		Mini Z8	574752 R	124,51	
V 18 S (PR-2B)		Mini Z8	574756 R	124,51	
V 22 S (PR-2B)		Mini Z8	574758 R	124,51	
V 28 S (PR-2B)		Mini Z8	574760 R	124,51	
V 35 S (PR-2B)		Mini Z8	574762 R	136,96	
SA 15			578514	176,56	
SA 18			578518	176,56	
SA 22			578520	176,56	
SA 28			578522	176,56	
M 15			578312	146,98	
M 18			578314	146,98	
M 22			578316	146,98	
M 28			578318	146,98	
M 35			578390	178,12	
M 15 S (PR-2B)		Mini Z8	574738 R	124,51	
M 18 S (PR-2B)		Mini Z8	574740 R	124,51	
M 22 S (PR-2B)		Mini Z8	574742 R	124,51	
M 28 S (PR-2B)		Mini Z8	574744 R	124,51	
M 35 S (PR-2B)	Mini Z8	574746 R	136,96		
Golan Pipe Systems (Scandinavia) Alu-Pres	U 16		578374	165,66	
	U 20		578378	165,66	
	U 25		578380	165,66	
	U 32		578382	194,31	
Grinnell G-PRESS Copper Fittings	U 40		578386	236,66	
	VUS ½" (OD 15,9 mm)		578566	177,50	
	VUS ¾" (OD 22,2 mm)		578568	177,50	
	VUS 1" (OD 28,6 mm)		578570	177,50	
GS Wärmesysteme System TH	VUS 1½" (OD 34,9 mm)		578606	177,50	
	TH 14		578348	177,08	
	TH 16		578352 R	177,08	
	TH 20		578358 R	177,08	
	TH 26		578362 R	177,08	
	TH 32		578364	177,08	
	TH 40		578624	234,69	
	TH 14 S (PR-2B)**	Mini Z8	574778 R	124,51	
	TH 16 S (PR-2B)**	Mini Z8	574782 R	124,51	
	TH 20 S (PR-2B)**	Mini Z8	574788 R	124,51	
	TH 26 S (PR-2B)**	Mini Z8	574794 R	124,51	
	TH 32 S (PR-2B)**	Mini Z8	574798 R	136,96	
	GS Wärmesysteme System V	V 15		578328	146,98
V 18			578332	146,98	
V 22			578334	146,98	
V 28			578336	146,98	
V 35			578604	178,12	
V 15 S (PR-2B)		Mini Z8	574752 R	124,51	
V 18 S (PR-2B)		Mini Z8	574756 R	124,51	
V 22 S (PR-2B)		Mini Z8	574758 R	124,51	
V 28 S (PR-2B)		Mini Z8	574760 R	124,51	
V 35 S (PR-2B)		Mini Z8	574762 R	136,96	
H					
HASTINIK Hastinik/Hitpress		M 15		578312	146,98
		M 18		578314	146,98
	M 22		578316	146,98	
	M 28		578318	146,98	
	M 35		578390	178,12	
	M 15 S (PR-2B)	Mini Z8	574738 R	124,51	
	M 18 S (PR-2B)	Mini Z8	574740 R	124,51	
	M 22 S (PR-2B)	Mini Z8	574742 R	124,51	
	M 28 S (PR-2B)	Mini Z8	574744 R	124,51	
	M 35 S (PR-2B)	Mini Z8	574746 R	136,96	
heima24	TH 16		578352 R	177,08	
	TH 20		578358 R	177,08	
	TH 26		578362 R	177,08	
	TH 32		578364	177,08	
	TH 40		578624	234,69	
	TH 16 S (PR-2B)**	Mini Z8	574782 R	124,51	
	TH 20 S (PR-2B)**	Mini Z8	574788 R	124,51	
	TH 26 S (PR-2B)**	Mini Z8	574794 R	124,51	
	TH 32 S (PR-2B)**	Mini Z8	574798 R	136,96	
	U 16		578374	165,66	
	U 20		578378	165,66	
	U 32		578382	194,31	
	HELIROMA Klimapress	U 16		578374	165,66
U 20			578378	165,66	
U 25			578380	165,66	
U 32			578382	194,31	
U 40			578386	236,66	
HELIROMA Klimapress PPSU	U 16		578374	165,66	
	U 20		578378	165,66	
	U 25		578380	165,66	
	U 32		578382	194,31	
Henco	TH 14		578348	177,08	
	TH 16		578352 R	177,08	
	TH 18		578356	177,08	
	TH 20		578358 R	177,08	
	TH 26		578362 R	177,08	
	HE 32		578370 R	212,06	

System	Pressing tongs Mini/pressing rings	Drive with adapter tongs	Art.-No.	€
Herotec tempusPRESS PLUS	H 16		578400	159,75
	H 20		578406	159,75
	H 25		578408	159,75
	H 32		578412	159,75
	RFz 16		578492	184,45
	RFz 20		578494	184,45
	RFz 25		578496	184,45
	RFz 32		578498	184,45
	TH 16		578352 R	177,08
	TH 20		578358 R	177,08
	TH 25		578360	177,08
	TH 32		578364	177,08
	TH 40		578624	234,69
	TH 16 S (PR-2B)**	Mini Z8	574782 R	124,51
	TH 20 S (PR-2B)**	Mini Z8	574788 R	124,51
	TH 25 S (PR-2B)**	Mini Z8	574792 R	124,51
	TH 32 S (PR-2B)**	Mini Z8	574798 R	136,96
	U 16		578374	165,66
	U 20		578378	165,66
	Herotec tempusPRESS PLUS PPSU	U 25		578380
U 32			578382	194,31
U 40			578386	236,66
HERZ PIPEFIX				
TH 10			578342	177,08
TH 16			578352 R	177,08
TH 20			578358 R	177,08
TH 26			578362 R	177,08
TH 32			578364	177,08
TH 40			578624	234,69
TH 10 S (PR-2B)**		Mini Z8	574772 R	124,51
TH 16 S (PR-2B)**		Mini Z8	574782 R	124,51
TH 20 S (PR-2B)**		Mini Z8	574788 R	124,51
TH 26 S (PR-2B)**	Mini Z8	574794 R	124,51	
TH 32 S (PR-2B)**	Mini Z8	574798 R	136,96	
HIDRONIX MULTIGAS	TH 16		578352 R	177,08
	TH 20		578358 R	177,08
	TH 26		578362 R	177,08
	TH 32		578364	177,08
	TH 40		578624	234,69
	TH 10 S (PR-2B)**	Mini Z8	574772 R	124,51
	TH 16 S (PR-2B)**	Mini Z8	574782 R	124,51
	TH 20 S (PR-2B)**	Mini Z8	574788 R	124,51
	TH 26 S (PR-2B)**	Mini Z8	574794 R	124,51
	TH 32 S (PR-2B)**	Mini Z8	574798 R	136,96
HIDRONIX MULTIPIPE	TH 14		578348	177,08
	TH 16		578352 R	177,08
	TH 20		578358 R	177,08
	TH 26		578362 R	177,08
	TH 32		578364	177,08
	TH 40		578624	234,69
	H 14		578398	159,75
	H 16		578400	159,75
	H 18		578404	159,75
	H 20		578406	159,75
	H 26		578410	159,75
	H 32		578412	159,75
	U 14		578372	174,38
U 16		578374	165,66	
U 18		578376	165,66	
U 20		578378	165,66	
U 26 ^o		578392	194,31	
U 32		578382	194,31	
HIDRONIX UNICO	TH 14		578348	177,08
	TH 16		578352 R	177,08
	TH 20		578358 R	177,08
	TH 26		578362 R	177,08
	TH 32		578364	177,08
	H 14		578398	159,75
	H 16		578400	159,75
	H 18		578404	159,75
	H 20		578406	159,75
	H 26		578410	159,75
	H 32		578412	159,75
	U 14		578372	174,38
	U 16		578374	165,66
U 18		578376	165,66	
U 20		578378	165,66	
U 26 ^o		578392	194,31	
U 32		578382	194,31	
HITEC Sistema Multistrato	TH 14		578348	177,08
	TH 16		578352 R	177,08
	TH 18		578356	177,08
	TH 20		578358 R	177,08
	TH 26		578362 R	177,08
	TH 32		578364	177,08
	TH 40		578624	234,69
	TH 14 S (PR-2B)**	Mini Z8	574778 R	124,51
	TH 16 S (PR-2B)**	Mini Z8	574782 R	124,51
	TH 18 S (PR-2B)**	Mini Z8	574786 R	124,51
	TH 20 S (PR-2B)**	Mini Z8	574788 R	124,51
	TH 26 S (PR-2B)**	Mini Z8	574794 R	124,51
	TH 32 S (PR-2B)**	Mini Z8	574798 R	136,96
HITHERM-ISOTUBI NUMEPRESS	M 15		578312	146,98
	M 18		578314	146,98
	M 22		578316	146,98
	M 28		578318	146,98
	M 35		578390	178,12
	M 15 S (PR-2B)	Mini Z8	574738 R	124,51
	M 18 S (PR-2B)	Mini Z8	574740 R	124,51
	M 22 S (PR-2B)	Mini Z8	574742 R	124,51
M 28 S (PR-2B)	Mini Z8	574744 R	124,51	
M 35 S (PR-2B)	Mini Z8	574746 R	136,96	

System	Pressing tongs Mini/pressing rings	Drive with adapter tongs	Art.-No.	€
HITHERM-ISOTUBI HTpress	M 15		578312	146,98
	M 18		578314	146,98
	M 22		578316	146,98
	M 28		578318	146,98
	M 35		578390	178,12
	M 15 S (PR-2B)	Mini Z8	574738 R	124,51
	M 18 S (PR-2B)	Mini Z8	574740 R	124,51
	M 22 S (PR-2B)	Mini Z8	574742 R	124,51
	M 28 S (PR-2B)	Mini Z8	574744 R	124,51
	M 35 S (PR-2B)	Mini Z8	574746 R	136,96
HITHERM-ISOTUBI HTfire	M 15		578312	146,98
	M 18		578314	146,98
	M 22		578316	146,98
	M 28		578318	146,98
	M 35		578390	178,12
	M 15 S (PR-2B)	Mini Z8	574738 R	124,51
	M 18 S (PR-2B)	Mini Z8	574740 R	124,51
	M 22 S (PR-2B)	Mini Z8	574742 R	124,51
	M 28 S (PR-2B)	Mini Z8	574744 R	124,51
	M 35 S (PR-2B)	Mini Z8	574746 R	136,96
HITHERM-ISOTUBI HTair	M 15		578312	146,98
	M 18		578314	146,98
	M 22		578316	146,98
	M 28		578318	146,98
	M 35		578390	178,12
	M 15 S (PR-2B)	Mini Z8	574738 R	124,51
	M 18 S (PR-2B)	Mini Z8	574740 R	124,51
	M 22 S (PR-2B)	Mini Z8	574742 R	124,51
	M 28 S (PR-2B)	Mini Z8	574744 R	124,51
	M 35 S (PR-2B)	Mini Z8	574746 R	136,96
Hopewell press fit system	M 15		578312	146,98
	M 18		578314	146,98
	M 22		578316	146,98
	M 28		578318	146,98
	M 35		578390	178,12
hp praski BAVARIA-press	TH 10		578342	177,08
	TH 12		578346	177,08
	TH 14		578348	177,08
	TH 16		578352 R	177,08
	TH 17		578354	177,08
	TH 20		578358 R	177,08
	TH 25		578360	177,08
	TH 26		578362 R	177,08
	TH 32		578364	177,08
	TH 40		578624	234,69
	TH 10 S (PR-2B)**	Mini Z8	574772 R	124,51
	TH 12 S (PR-2B)**	Mini Z8	574776 R	124,51
	TH 14 S (PR-2B)**	Mini Z8	574778 R	124,51
	TH 16 S (PR-2B)**	Mini Z8	574782 R	124,51
	TH 17 S (PR-2B)**	Mini Z8	574784 R	124,51
TH 20 S (PR-2B)**	Mini Z8	574788 R	124,51	
TH 25 S (PR-2B)**	Mini Z8	574792 R	124,51	
TH 26 S (PR-2B)**	Mini Z8	574794 R	124,51	
TH 32 S (PR-2B)	Mini Z8	574798 R	136,96	
I				
ICMA Sempiter	H 16		578400	159,75
	H 20		578406	159,75
	H 25		578408	159,75
	H 26		578410	159,75
	H 32		578412	159,75
	TH 16		578352 R	177,08
	TH 20		578358 R	177,08
	TH 25		578360	177,08
	TH 26		578362 R	177,08
	TH 32		578364	177,08
	TH 40		578624	234,69
	TH 16 S (PR-2B)**	Mini Z8	574782 R	124,51
	TH 20 S (PR-2B)**	Mini Z8	574788 R	124,51
	TH 26 S (PR-2B)**	Mini Z8	574794 R	124,51
	TH 32 S (PR-2B)	Mini Z8	574798 R	136,96
	U 16		578374	165,66
	U 20		578378	165,66
	U 25		578380	165,66
	U 26 ⁷⁾		578392	194,31
	U 32		578382	194,31
U 40		578386	236,66	

System	Pressing tongs Mini/pressing rings	Drive with adapter tongs	Art.-No.	€
ICMA Sempigas	TH 16		578352 R	177,08
	TH 20		578358 R	177,08
	TH 25		578360	177,08
	TH 26		578362 R	177,08
	TH 32		578364	177,08
	TH 16 S (PR-2B)**	Mini Z8	574782 R	124,51
	TH 20 S (PR-2B)**	Mini Z8	574788 R	124,51
	TH 26 S (PR-2B)**	Mini Z8	574794 R	124,51
	TH 32 S (PR-2B)	Mini Z8	574798 R	136,96
	Idrosanitaria Bonomi Homegas	TH 16		578352 R
TH 20			578358 R	177,08
TH 26			578362 R	177,08
TH 16 S (PR-2B)**		Mini Z8	574782 R	124,51
TH 20 S (PR-2B)**		Mini Z8	574788 R	124,51
Idrosanitaria Bonomi Idropress	TH 16		578352 R	177,08
	TH 18		578356	177,08
	TH 20		578358 R	177,08
	TH 26		578362 R	177,08
	TH 32		578364	177,08
	TH 40		578624	234,69
	TH 16 S (PR-2B)**	Mini Z8	574782 R	124,51
	TH 20 S (PR-2B)**	Mini Z8	574788 R	124,51
	TH 26 S (PR-2B)**	Mini Z8	574794 R	124,51
	TH 32 S (PR-2B)	Mini Z8	574798 R	136,96
IDROSISTEMI Ta-Press	TH 16		578352 R	177,08
	TH 20		578358 R	177,08
	TH 26		578362 R	177,08
	TH 32		578364	177,08
	TH 40		578624	234,69
	TH 16 S (PR-2B)**	Mini Z8	574782 R	124,51
	TH 20 S (PR-2B)**	Mini Z8	574788 R	124,51
	TH 26 S (PR-2B)**	Mini Z8	574794 R	124,51
	TH 32 S (PR-2B)	Mini Z8	574798 R	136,96
	F 16		578456	168,68
F 20		578460	168,68	
F 26		578462	182,48	
F 32		578464	182,48	
F 16 S (PR-2B)**	Mini Z8	574728 R	124,51	
F 20 S (PR-2B)**	Mini Z8	574730 R	124,51	
F 26 S (PR-2B)**	Mini Z8	574732 R	124,51	
F 32 S (PR-2B)	Mini Z8	574734 R	136,96	
Fz 40		578478	247,15	
H 16		578400	159,75	
H 20		578406	159,75	
H 26		578410	159,75	
H 32		578412	159,75	
U 16		578374	165,66	
U 20		578378	165,66	
U 26 ⁷⁾		578392	194,31	
U 32		578382	194,31	
U 40		578386	236,66	
IDROTRADE Storm Multipinza	H 16		578400	159,75
	H 20		578406	159,75
	H 26		578410	159,75
	H 32		578412	159,75
	TH 16		578352 R	177,08
	TH 20		578358 R	177,08
	TH 26		578362 R	177,08
	TH 32		578364	177,08
	THL 32		578368	177,08
	TH 40		578624	234,69
TH 16 S (PR-2B)**	Mini Z8	574782 R	124,51	
TH 20 S (PR-2B)**	Mini Z8	574788 R	124,51	
TH 26 S (PR-2B)**	Mini Z8	574794 R	124,51	
TH 32 S (PR-2B)	Mini Z8	574798 R	136,96	
U 16		578374	165,66	
U 20		578378	165,66	
IDROTRADE StormPRES ⁹⁾	M 15		578312	146,98
	M 18		578314	146,98
	M 22		578316	146,98
	M 28		578318	146,98
	M 35		578390	178,12
	M 15 S (PR-2B)	Mini Z8	574738 R	124,51
	M 18 S (PR-2B)	Mini Z8	574740 R	124,51
M 22 S (PR-2B)	Mini Z8	574742 R	124,51	
M 28 S (PR-2B)	Mini Z8	574744 R	124,51	
M 35 S (PR-2B)	Mini Z8	574746 R	136,96	

Pressfitting systems for gas installations may only be pressed with the pressing tongs Mini which are highlighted in yellow in the table.

Observe the national regulations. Read and observe the system provider's/manufacturer's instructions for use and assembly instructions.

** Can also be driven by the ROLLER'S Easy-Press manual radial press using the Z8 adapter tongs, see page 90. Observe the national regulations.

¹⁾ Only pressing tongs from designation "108" (1st quarter of 2008), "208" (2nd quarter of 2008) etc. can be used. The designation is stamped on every pressing jaw.

²⁾ For accommodating suitable pressing inserts.

³⁾ Only pressing tongs from designation "117" (1st quarter of 201), "217" (2nd quarter of 2017) etc. can be used. The designation is stamped on every pressing jaw.

⁴⁾ For pipes with the EN technical standard. Observe the system provider's/manufacturer's instructions for use.

⁶⁾ Only use Mini pressing tongs identified by "VMP 1/2" G" on the pressing jaws for gas installations.

⁷⁾ Previous designation: Mini C 26 pressing tongs

⁹⁾ For pipes with the ASTM technical standard. Observe the system provider's/manufacturer's instructions for use.

Suitability of the ROLLER'S pressing tools for pressfitting systems: Status 27.10.2023. The current status can be found on the Internet: www.albert-roller.de → Downloads → Product Catalogues, Brochures → ROLLER Catalogue. See page 79 for adapter tongs. Pressing tongs/pressing rings for other press fitting systems on request.

ROLLER'S pressing tongs Mini / pressing rings

Accessory for ROLLER'S 22kN radial presses

System	Pressing tongs Mini/pressing rings	Drive with adapter tongs	Art.-No.	€		
IDROTRADE StormSTEEL ¹	M 12		578310	146,98		
	M 15		578312	146,98		
	M 18		578314	146,98		
	M 22		578316	146,98		
	M 28		578318	146,98		
	M 35		578390	178,12		
	M 12 S (PR-2B)	Mini Z8	574736 R	124,51		
	M 15 S (PR-2B)	Mini Z8	574738 R	124,51		
	M 18 S (PR-2B)	Mini Z8	574740 R	124,51		
	M 22 S (PR-2B)	Mini Z8	574742 R	124,51		
	M 28 S (PR-2B)	Mini Z8	574744 R	124,51		
	M 35 S (PR-2B)	Mini Z8	574746 R	136,96		
	ILTA INOX/CHIBRO Pressfitting Cuni	M 15		578312	146,98	
M 18			578314	146,98		
M 22			578316	146,98		
M 28			578318	146,98		
M 35			578390	178,12		
M 15 S (PR-2B)		Mini Z8	574738 R	124,51		
M 18 S (PR-2B)		Mini Z8	574740 R	124,51		
M 22 S (PR-2B)		Mini Z8	574742 R	124,51		
M 28 S (PR-2B)		Mini Z8	574744 R	124,51		
M 35 S (PR-2B)		Mini Z8	574746 R	136,96		
ILTA INOX/CHIBRO Pressfitting inox		M 15		578312	146,98	
		M 18		578314	146,98	
		M 22		578316	146,98	
	M 28		578318	146,98		
	M 35		578390	178,12		
	M 15 S (PR-2B)	Mini Z8	574738 R	124,51		
	M 18 S (PR-2B)	Mini Z8	574740 R	124,51		
	M 22 S (PR-2B)	Mini Z8	574742 R	124,51		
	M 28 S (PR-2B)	Mini Z8	574744 R	124,51		
	M 35 S (PR-2B)	Mini Z8	574746 R	136,96		
	Instantor Press System	TH 16		578352 R	177,08	
		TH 20		578358 R	177,08	
		TH 26		578362 R	177,08	
TH 32			578364	177,08		
TH 16 S (PR-2B)**		Mini Z8	574782 R	124,51		
TH 20 S (PR-2B)**		Mini Z8	574788 R	124,51		
TH 26 S (PR-2B)**		Mini Z8	574794 R	124,51		
TH 32 S (PR-2B)		Mini Z8	574798 R	136,96		
Instantor Copper Press Imperial		VI ½" (OD 14,7 mm)		578716	175,53	
	VI ¾" (OD 21,0 mm)		578718	175,53		
	VI 1" (OD 27,4 mm)		578720	175,53		
	VI ½" S (PR-2B)	Mini Z8	574850 R	124,51		
	VI ¾" S (PR-2B)	Mini Z8	574852 R	124,51		
	VI 1" S (PR-2B)	Mini Z8	574854 R	124,51		
Instantor Copper Press Metric	M 15		578312	146,98		
	M 22		578316	146,98		
	M 28		578318	146,98		
	M 15 S (PR-2B)	Mini Z8	574738 R	124,51		
	M 22 S (PR-2B)	Mini Z8	574742 R	124,51		
	M 28 S (PR-2B)	Mini Z8	574744 R	124,51		
	IPA IPANA Press	TH 10		578342	177,08	
TH 11,6			578344	177,08		
TH 12			578346	177,08		
TH 14			578348	177,08		
TH 15			578350	177,08		
TH 16			578352 R	177,08		
TH 17			578354	177,08		
TH 18			578356	177,08		
TH 20			578358 R	177,08		
TH 22			578588	177,08		
TH 25			578360	177,08		
TH 26			578362 R	177,08		
TH 28			578590	177,08		
TH 32			578364	177,08		
TH 40			578624	234,69		
TH 10 S (PR-2B)**		Mini Z8	574772 R	124,51		
TH 11,6 S (PR-2B)**		Mini Z8	574774 R	124,51		
TH 12 S (PR-2B)**		Mini Z8	574776 R	124,51		
TH 14 S (PR-2B)**		Mini Z8	574778 R	124,51		
TH 15 S (PR-2B)**		Mini Z8	574780 R	124,51		
TH 16 S (PR-2B)**		Mini Z8	574782 R	124,51		
TH 17 S (PR-2B)**		Mini Z8	574784 R	124,51		
TH 18 S (PR-2B)**		Mini Z8	574786 R	124,51		
TH 20 S (PR-2B)**		Mini Z8	574788 R	124,51		
TH 22 S (PR-2B)**		Mini Z8	574790 R	124,51		
TH 25 S (PR-2B)**		Mini Z8	574792 R	124,51		
TH 26 S (PR-2B)**		Mini Z8	574794 R	124,51		
TH 28 S (PR-2B)**		Mini Z8	574796 R	136,96		
TH 32 S (PR-2B)**		Mini Z8	574798 R	136,96		
IPA THu IPANA Press		TH 16		578352 R	177,08	
		TH 20		578358 R	177,08	
		TH 26		578362 R	177,08	
		TH 32		578364	177,08	
		TH 40		578624	234,69	
		TH 16 S (PR-2B)**	Mini Z8	574782 R	124,51	
		TH 20 S (PR-2B)**	Mini Z8	574788 R	124,51	
		TH 26 S (PR-2B)**	Mini Z8	574794 R	124,51	
		TH 32 S (PR-2B)	Mini Z8	574798 R	136,96	
		IPALPEX (Industrie du Plastique et Accessoires)	TH 14		578348	177,08
			TH 16		578352 R	177,08
TH 18				578356	177,08	
TH 20			578358 R	177,08		
TH 26			578362 R	177,08		
THL 32			578368	177,08		
TH 40		578624	234,69			
IPLEX PIPELINES AUSTRALIA Iplex Pro-fit	K16/P18		578592	184,45		
	K20		578594	184,45		
	K25		578596	184,45		
	K32		578598	184,45		
	K1/40		578600	184,45		

System	Pressing tongs Mini/pressing rings	Drive with adapter tongs	Art.-No.	€	
IPLEX PIPELINES AUSTRALIA Iplex K2	K16/P18		578592	184,45	
	K20		578594	184,45	
	K25		578596	184,45	
	ISOTUBI NUMEPRESS	M 15		578312	146,98
		M 18		578314	146,98
		M 22		578316	146,98
		M 28		578318	146,98
		M 35		578390	178,12
		M 15 S (PR-2B)	Mini Z8	574738 R	124,51
		M 18 S (PR-2B)	Mini Z8	574740 R	124,51
M 22 S (PR-2B)	Mini Z8	574742 R	124,51		
M 28 S (PR-2B)	Mini Z8	574744 R	124,51		
M 35 S (PR-2B)	Mini Z8	574746 R	136,96		
IVAR ALPEX-GAS	B 20		578472	193,28	
	B 26		578474	213,00	
	B 32		578476	213,00	
IVAR Ivar-Press	B 14		578466	193,28	
	B 16		578468	193,28	
	B 18		578470	193,28	
	B 20		578472	193,28	
	B 26		578474	213,00	
	B 32		578476	213,00	
	Fz 40		578478	247,15	
	IVAR MULTI PRESS GAS ITALIA	TH 16		578352 R	177,08
TH 20			578358 R	177,08	
TH 26			578362 R	177,08	
H 16			578400	159,75	
H 20			578406	159,75	
H 26			578412	159,75	
U 16			578374	165,66	
U 20			578378	165,66	
IVAR Multi Press MP		TH 16		578352 R	177,08
		TH 18		578356	177,08
	TH 20		578358 R	177,08	
	TH 25		578360	177,08	
	TH 26		578362 R	177,08	
	TH 32		578364	177,08	
	TH 40		578624	234,69	
	TH 16 S (PR-2B)**	Mini Z8	574782 R	124,51	
	TH 18 S (PR-2B)**	Mini Z8	574786 R	124,51	
	TH 20 S (PR-2B)**	Mini Z8	574788 R	124,51	
	TH 25 S (PR-2B)**	Mini Z8	574792 R	124,51	
	TH 26 S (PR-2B)**	Mini Z8	574794 R	124,51	
	TH 32 S (PR-2B)	Mini Z8	574798 R	136,96	
	F 16		578456	168,68	
F 18		578458	168,68		
F 20		578460	168,68		
F 26		578462	182,48		
F 32		578464	182,48		
Fz 40		578478	247,15		
F 16 S (PR-2B)**	Mini Z8	574728 R	124,51		
F 20 S (PR-2B)**	Mini Z8	574730 R	124,51		
F 26 S (PR-2B)**	Mini Z8	574732 R	124,51		
F 32 S (PR-2B)	Mini Z8	574734 R	136,96		
H 16		578400	159,75		
H 18		578404	159,75		
H 20		578406	159,75		
H 25		578408	159,75		
H 26		578410	159,75		
H 32		578412	159,75		
U 16		578374	165,66		
U 18		578376	165,66		
U 20		578378	165,66		
U 25		578380	165,66		
U 26 ^o		578392	194,31		
U 32		578382	194,31		
U 40		578386	236,66		
B 16		578468	193,28		
B 18		578470	193,28		
B 20		578472	193,28		
B 26		578474	213,00		
B 32		578476	213,00		
IVAR Multi Press Leak (MPL)	TH 16		578352 R	177,08	
	TH 20		578358 R	177,08	
	TH 26		578362 R	177,08	
	TH 32		578364	177,08	
	TH 16 S (PR-2B)**	Mini Z8	574782 R	124,51	
	TH 20 S (PR-2B)**	Mini Z8	574788 R	124,51	
	TH 26 S (PR-2B)**	Mini Z8	574794 R	124,51	
	TH 32 S (PR-2B)	Mini Z8	574798 R	136,96	
	F 16		578456	168,68	
	F 20		578460	168,68	
	F 26		578462	182,48	
	F 32		578464	182,48	
	F 16 S (PR-2B)**	Mini Z8	574728 R	124,51	
	F 20 S (PR-2B)**	Mini Z8	574730 R	124,51	
F 26 S (PR-2B)**	Mini Z8	574732 R	124,51		
F 32 S (PR-2B)	Mini Z8	574734 R	136,96		
H 16		578400	159,75		
H 20		578406	159,75		
H 26		578412	159,75		
H 32		578416	159,75		
U 16		578374	165,66		
U 20		578378	165,66		
U 26 ^o		578392	194,31		
U 32		578382	194,31		
B 16		578468	193,28		
B 20		578472	193,28		
B 26		578474	213,00		
B 32		578476	213,00		

System	Pressing tongs Mini/pressing rings	Drive with adapter tongs	Art.-No.	€	System	Pressing tongs Mini/pressing rings	Drive with adapter tongs	Art.-No.	€	
IVAR	TH 16		578352 R	177,08	J	Jäger - Aquatec	H 14	578398	159,75	
Plastic Multi Press	TH 20		578358 R	177,08		Aquapress H	H 16	578400	159,75	
PMP	TH 25		578360	177,08			H 17	578402	159,75	
	TH 26		578362 R	177,08			H 18	578404	159,75	
	TH 32		578364	177,08			H 20	578406	159,75	
	TH 16 S (PR-2B)**	Mini Z8	574782 R	124,51			H 26	578410	159,75	
	TH 20 S (PR-2B)**	Mini Z8	574788 R	124,51			H 32	578412	159,75	
	TH 25 S (PR-2B)**	Mini Z8	574792 R	124,51			U 40	578386	236,66	
	TH 26 S (PR-2B)**	Mini Z8	574794 R	124,51		Jäger - Aquatec	M 15	578312	146,98	
	TH 32 S (PR-2B)	Mini Z8	574798 R	136,96		C-Stahl	M 18	578314	146,98	
	F 16		578456	168,68		Press Typ M	M 22	578316	146,98	
	F 20		578460	168,68			M 28	578318	146,98	
	F 26		578462	182,48			M 35	578390	178,12	
	F 32		578464	182,48			M 15 S (PR-2B)	Mini Z8	574738 R	124,51
	F 16 S (PR-2B)**	Mini Z8	574728 R	124,51			M 18 S (PR-2B)	Mini Z8	574740 R	124,51
	F 20 S (PR-2B)**	Mini Z8	574730 R	124,51			M 22 S (PR-2B)	Mini Z8	574742 R	124,51
	F 26 S (PR-2B)**	Mini Z8	574732 R	124,51			M 28 S (PR-2B)	Mini Z8	574744 R	124,51
	F 32 S (PR-2B)	Mini Z8	574734 R	136,96			M 35 S (PR-2B)	Mini Z8	574746 R	136,96
	H 16		578400	159,75		Jäger - Aquatec	M 15	578312	146,98	
	H 20		578406	159,75		Edelstahl	M 18	578314	146,98	
	H 25		578408	159,75		Press Typ M	M 22	578316	146,98	
	H 26		578410	159,75			M 28	578318	146,98	
	H 32		578412	159,75			M 35	578390	178,12	
	U 16		578374	165,66			M 15 S (PR-2B)	Mini Z8	574738 R	124,51
	U 20		578378	165,66			M 18 S (PR-2B)	Mini Z8	574740 R	124,51
	U 25		578380	165,66			M 22 S (PR-2B)	Mini Z8	574742 R	124,51
	U 26 ⁷⁾		578392	194,31			M 28 S (PR-2B)	Mini Z8	574744 R	124,51
	U 32		578382	194,31			M 35 S (PR-2B)	Mini Z8	574746 R	136,96
	B 16		578468	193,28		Jäger - Aquatec	V 15	578328	146,98	
	B 20		578472	193,28		Edelstahl	V 18	578332	146,98	
	B 26		578474	213,00		Press Typ V	V 22	578334	146,98	
	B 32		578476	213,00			V 28	578336	146,98	
IVAR	TH 16		578352 R	177,08			V 35	578604	178,12	
Plastic Multi Press	TH 20		578358 R	177,08			V 15 S (PR-2B)	Mini Z8	574752 R	124,51
Leak (PMPL)	TH 26		578362 R	177,08		V 18 S (PR-2B)	Mini Z8	574756 R	124,51	
	TH 32		578364	177,08		V 22 S (PR-2B)	Mini Z8	574758 R	124,51	
	TH 16 S (PR-2B)**	Mini Z8	574782 R	124,51		V 28 S (PR-2B)	Mini Z8	574760 R	124,51	
	TH 20 S (PR-2B)**	Mini Z8	574788 R	124,51		V 35 S (PR-2B)	Mini Z8	574762 R	136,96	
	TH 26 S (PR-2B)**	Mini Z8	574794 R	124,51	Jansen AG	TH 14	578348	177,08		
	TH 32 S (PR-2B)	Mini Z8	574798 R	136,96	JANSEN COMISA	TH 16	578352 R	177,08		
	F 16		578456	168,68		TH 20	578358 R	177,08		
	F 20		578460	168,68		TH 26	578362 R	177,08		
	F 26		578462	182,48		TH 32	578364	177,08		
	F 32		578464	182,48		TH 40	578624	234,69		
	F 16 S (PR-2B)**	Mini Z8	574728 R	124,51		TH 14 S (PR-2B)**	Mini Z8	574778 R	124,51	
	F 20 S (PR-2B)**	Mini Z8	574730 R	124,51		TH 16 S (PR-2B)**	Mini Z8	574782 R	124,51	
	F 26 S (PR-2B)**	Mini Z8	574732 R	124,51		TH 20 S (PR-2B)**	Mini Z8	574788 R	124,51	
	F 32 S (PR-2B)	Mini Z8	574734 R	136,96		TH 26 S (PR-2B)**	Mini Z8	574794 R	124,51	
	H 16		578400	159,75		TH 32 S (PR-2B)	Mini Z8	574798 R	136,96	
	H 20		578406	159,75	Jarallex-Presssystem	TH 14	578348	177,08		
	H 26		578410	159,75		TH 16	578352 R	177,08		
	H 32		578412	159,75		TH 17	578354	177,08		
	U 16		578374	165,66		TH 18	578356	177,08		
	U 20		578378	165,66		TH 20	578358 R	177,08		
	U 26 ⁷⁾		578392	194,31		TH 25	578360	177,08		
	U 32		578382	194,31		TH 26	578362 R	177,08		
	B 16		578468	193,28		TH 32	578364	177,08		
	B 20		578472	193,28		TH 40	578624	234,69		
	B 26		578474	213,00		TH 14 S (PR-2B)**	Mini Z8	574778 R	124,51	
	B 32		578476	213,00		TH 16 S (PR-2B)**	Mini Z8	574782 R	124,51	
IVT Edelstahl-Presssystem	M 15		578312	146,98		TH 17 S (PR-2B)**	Mini Z8	574784 R	124,51	
	M 18		578314	146,98		TH 18 S (PR-2B)**	Mini Z8	574786 R	124,51	
	M 22		578316	146,98		TH 20 S (PR-2B)**	Mini Z8	574788 R	124,51	
	M 28		578318	146,98		TH 25 S (PR-2B)**	Mini Z8	574792 R	124,51	
	M 35		578390	178,12		TH 26 S (PR-2B)**	Mini Z8	574794 R	124,51	
	M 15 S (PR-2B)	Mini Z8	574738 R	124,51		TH 32 S (PR-2B)	Mini Z8	574798 R	136,96	
	M 18 S (PR-2B)	Mini Z8	574740 R	124,51	JUNGWOO	VUS ½" (OD 15,9 mm)	578566	177,50		
	M 22 S (PR-2B)	Mini Z8	574742 R	124,51	JWPress	VUS ¾" (OD 22,2 mm)	578568	177,50		
	M 28 S (PR-2B)	Mini Z8	574744 R	124,51		VUS 1" (OD 28,6 mm)	578570	177,50		
	M 35 S (PR-2B)	Mini Z8	574746 R	136,96		VUS 1½" (OD 34,9 mm)	578606	177,50		
IVT PRIPRESS	TH 16		578352 R	177,08						
	TH 20		578358 R	177,08						
	TH 26		578362 R	177,08						
	TH 32		578364	177,08						
	TH 40		578624	234,69						
	TH 16 S (PR-2B)**	Mini Z8	574782 R	124,51						
	TH 20 S (PR-2B)**	Mini Z8	574788 R	124,51						
	TH 26 S (PR-2B)**	Mini Z8	574794 R	124,51						
	TH 32 S (PR-2B)	Mini Z8	574798 R	136,96						

Pressfitting systems for gas installations may only be pressed with the pressing tongs Mini which are highlighted in yellow in the table.

Observe the national regulations. Read and observe the system provider's/manufacturer's instructions for use and assembly instructions.

** Can also be driven by the ROLLER'S Easy-Press manual radial press using the Z8 adapter tongs, see page 90. Observe the national regulations.

¹⁾ Only pressing tongs from designation "108" (1st quarter of 2008), "208" (2nd quarter of 2008) etc. can be used. The designation is stamped on every pressing jaw.

²⁾ For accommodating suitable pressing inserts.

³⁾ Only pressing tongs from designation "117" (1st quarter of 201), "217" (2nd quarter of 2017) etc. can be used. The designation is stamped on every pressing jaw.

⁴⁾ For pipes with the EN technical standard. Observe the system provider's/manufacturer's instructions for use.

⁵⁾ Only use Mini pressing tongs identified by "VMP ½" G" on the pressing jaws for gas installations.

⁷⁾ Previous designation: Mini C 26 pressing tongs

⁹⁾ For pipes with the ASTM technical standard. Observe the system provider's/manufacturer's instructions for use.

Suitability of the ROLLER'S pressing tools for pressfitting systems: Status 27.10.2023. The current status can be found on the Internet:

www.albert-roller.de → Downloads → Product Catalogues, Brochures → ROLLER Catalogue.

See page 79 for adapter tongs. Pressing tongs/pressing rings for other press fitting systems on request.

System	Pressing tongs Mini/pressing rings	Drive with adapter tongs	Art.-No.	€
K				
KAN	TH 14		578348	177,08
	TH 16		578352 R	177,08
	TH 20		578358 R	177,08
	TH 25		578360	177,08
	TH 26		578362 R	177,08
	TH 32		578364	177,08
	TH 40		578624	234,69
	TH 14 S (PR-2B)**	Mini Z8	574778 R	124,51
	TH 16 S (PR-2B)**	Mini Z8	574782 R	124,51
	TH 20 S (PR-2B)**	Mini Z8	574788 R	124,51
	TH 25 S (PR-2B)**	Mini Z8	574792 R	124,51
	TH 26 S (PR-2B)**	Mini Z8	574794 R	124,51
	TH 32 S (PR-2B)	Mini Z8	574798 R	136,96
	U 14		578372	174,38
	U 16		578374	165,66
	U 20		578378	165,66
	U 25		578380	165,66
	U 26 ⁷⁾		578392	194,31
	U 32		578382	194,31
	U 40		578386	236,66
KAN-therm LBP	M 15		578312	146,98
	M 18 ¹⁾		578314	146,98
	M 22		578316	146,98
	M 28 ¹⁾		578318	146,98
	M 35		578390	178,12
	M 15 S (PR-2B)	Mini Z8	574738 R	124,51
	M 18 S (PR-2B)	Mini Z8	574740 R	124,51
	M 22 S (PR-2B)	Mini Z8	574742 R	124,51
	M 28 S (PR-2B)	Mini Z8	574744 R	124,51
	M 35 S (PR-2B)	Mini Z8	574746 R	136,96
KAN-therm Inox	M 12		578310	146,98
	M 15		578312	146,98
	M 18 ¹⁾		578314	146,98
	M 22		578316	146,98
	M 28 ¹⁾		578318	146,98
	M 35		578390	178,12
	M 12 S (PR-2B)	Mini Z8	574736 R	124,51
	M 15 S (PR-2B)	Mini Z8	574738 R	124,51
	M 18 S (PR-2B)	Mini Z8	574740 R	124,51
	M 22 S (PR-2B)	Mini Z8	574742 R	124,51
KAN-therm Steel	M 12		578310	146,98
	M 15		578312	146,98
	M 18 ¹⁾		578314	146,98
	M 22		578316	146,98
	M 28 ¹⁾		578318	146,98
	M 35		578390	178,12
	M 12 S (PR-2B)	Mini Z8	574736 R	124,51
	M 15 S (PR-2B)	Mini Z8	574738 R	124,51
	M 18 S (PR-2B)	Mini Z8	574740 R	124,51
	M 22 S (PR-2B)	Mini Z8	574742 R	124,51
KAN-therm UltraPRESS	TH 14		578348	177,08
	TH 16		578352 R	177,08
	TH 20		578358 R	177,08
	TH 25		578360	177,08
	TH 26		578362 R	177,08
	TH 32		578364	177,08
	TH 40		578624	234,69
	TH 14 S (PR-2B)**	Mini Z8	574778 R	124,51
	TH 16 S (PR-2B)**	Mini Z8	574782 R	124,51
	TH 20 S (PR-2B)**	Mini Z8	574788 R	124,51
KAN-therm Kupfer	TH 25 S (PR-2B)**	Mini Z8	574792 R	124,51
	TH 26 S (PR-2B)**	Mini Z8	574794 R	124,51
	TH 32 S (PR-2B)	Mini Z8	574798 R	136,96
	U 14		578372	174,38
	U 16		578374	165,66
	U 20		578378	165,66
	U 25		578380	165,66
	U 26 ⁷⁾		578392	194,31
	U 32		578382	194,31
	U 40		578386	236,66
KE KELIT COPPERFIX	M 15		578312	146,98
	M 18		578314	146,98
	M 22		578316	146,98
	M 28		578318	146,98
	M 35		578390	178,12
	M 15 S (PR-2B)	Mini Z8	574738 R	124,51
	M 18 S (PR-2B)	Mini Z8	574740 R	124,51
KE KELIT KELOX	M 22 S (PR-2B)	Mini Z8	574742 R	124,51
	M 28 S (PR-2B)	Mini Z8	574744 R	124,51
	M 35 S (PR-2B)	Mini Z8	574746 R	136,96
	U 16		578374	165,66
	U 18		578376	165,66
	U 20		578378	165,66
	U 25		578380	165,66
KE KELIT KELOX-PPSU-W	U 32		578382	194,31
	U 40		578386	236,66
	U 16		578374	165,66
	U 18		578376	165,66
	U 20		578378	165,66
	U 25		578380	165,66
	U 32		578382	194,31
KE KELIT KELOX-ULTRAX	U 40		578386	236,66
	U 16		578374	165,66
	U 18		578376	165,66
	U 20		578378	165,66
	U 25		578380	165,66
	U 32		578382	194,31
	U 40		578386	236,66
KE KELIT KELOX-WINDOW-U	U 16		578374	165,66
	U 18		578376	165,66
	U 20		578378	165,66
	U 25		578380	165,66
	U 32		578382	194,31
	U 40		578386	236,66
	KE KELIT KELOX-WINDOW-W	U 16		578374
U 18			578376	165,66
U 20			578378	165,66
U 25			578380	165,66
U 32			578382	194,31
U 40			578386	236,66

System	Pressing tongs Mini/pressing rings	Drive with adapter tongs	Art.-No.	€	
KE KELIT steelFIX C-Stahl	M 15		578312	146,98	
	M 18		578314	146,98	
	M 22		578316	146,98	
	M 28		578318	146,98	
	M 35		578390	178,12	
	M 15 S (PR-2B)	Mini Z8	574738 R	124,51	
	M 18 S (PR-2B)	Mini Z8	574740 R	124,51	
	M 22 S (PR-2B)	Mini Z8	574742 R	124,51	
	M 28 S (PR-2B)	Mini Z8	574744 R	124,51	
	M 35 S (PR-2B)	Mini Z8	574746 R	136,96	
KE KELIT steelFIX Edelstahl	M 15		578312	146,98	
	M 18		578314	146,98	
	M 22		578316	146,98	
	M 28		578318	146,98	
	M 35		578390	178,12	
	M 15 S (PR-2B)	Mini Z8	574738 R	124,51	
	M 18 S (PR-2B)	Mini Z8	574740 R	124,51	
	M 22 S (PR-2B)	Mini Z8	574742 R	124,51	
	M 28 S (PR-2B)	Mini Z8	574744 R	124,51	
	M 35 S (PR-2B)	Mini Z8	574746 R	136,96	
KEMBLA KemPress (AUS)	VAU 15 (OD 12,7mm)		578630	151,86	
	VAU 20 (OD 19,1mm)		578632	151,86	
	VAU 25 (OD 25,4mm)		578634	151,86	
	VAU 32 (OD 31,8mm)		578636	159,75	
	VAU 15 (OD 12,7mm)		578630	151,86	
KEMBLA KemPress Gas (AUS)	VAU 20 (OD 19,1mm)		578632	151,86	
	VAU 25 (OD 25,4mm)		578634	151,86	
	VAU 32 (OD 31,8mm)		578636	159,75	
	VAU 15 (OD 12,7mm)		578630	151,86	
	VAU 20 (OD 19,1mm)		578632	151,86	
KISAN Kisan KD	KI 16		578524	187,36	
	KI 20		578526	187,36	
	KI 25		578528	187,36	
	TH 16		578352 R	177,08	
	TH 20		578358 R	177,08	
	TH 25		578360	177,08	
	TH 16 S (PR-2B)**	Mini Z8	574782 R	124,51	
	TH 20 S (PR-2B)**	Mini Z8	574788 R	124,51	
	TH 25 S (PR-2B)**	Mini Z8	574792 R	124,51	
	KISAN Kisan WL	KI 16		578524	187,36
KI 20			578526	187,36	
KI 25			578528	187,36	
KI 32			578530	252,44	
TH 16			578352 R	177,08	
TH 20			578358 R	177,08	
TH 25			578360	177,08	
TH 32			578364	177,08	
TH 16 S (PR-2B)**		Mini Z8	574782 R	124,51	
TH 20 S (PR-2B)**		Mini Z8	574788 R	124,51	
KISAN Kisan WM	TH 25 S (PR-2B)**	Mini Z8	574792 R	124,51	
	TH 32 S (PR-2B)	Mini Z8	574798 R	136,96	
	KI 16		578524	187,36	
	KI 20		578526	187,36	
	KI 25		578528	187,36	
	KI 32		578530	252,44	
	KISAN Kisan WR	U 20		578378	165,66
		U 25		578380	165,66
		U 32		578382	194,31
		U 40		578386	236,66
TH 20			578358 R	177,08	
TH 25			578360	177,08	
TH 32			578364	177,08	
TH 40			578624	234,69	
TH 20 S (PR-2B)**		Mini Z8	574788 R	124,51	
TH 25 S (PR-2B)**		Mini Z8	574792 R	124,51	
KISAN Kistal C	TH 32 S (PR-2B)	Mini Z8	574798 R	136,96	
	M 15		578312	146,98	
	M 18		578314	146,98	
	M 22		578316	146,98	
	M 28		578318	146,98	
	M 35		578390	178,12	
	M 15 S (PR-2B)	Mini Z8	574738 R	124,51	
	M 18 S (PR-2B)	Mini Z8	574740 R	124,51	
	M 22 S (PR-2B)	Mini Z8	574742 R	124,51	
	M 28 S (PR-2B)	Mini Z8	574744 R	124,51	
KISAN Kistal Inox	M 35 S (PR-2B)	Mini Z8	574746 R	136,96	
	M 15		578312	146,98	
	M 18		578314	146,98	
	M 22		578316	146,98	
	M 28		578318	146,98	
	M 35		578390	178,12	
	M 15 S (PR-2B)	Mini Z8	574738 R	124,51	
	M 18 S (PR-2B)	Mini Z8	574740 R	124,51	
	M 22 S (PR-2B)	Mini Z8	574742 R	124,51	
	M 28 S (PR-2B)	Mini Z8	574744 R	124,51	
L					
LEGEND-PRESS press fitting system	VUS 1/8" (OD 15,9mm)		578566	177,50	
	VUS 3/8" (OD 22,2mm)		578568	177,50	
	VUS 1" (OD 28,6mm)		578570	177,50	
	VUS 1 1/4" (OD 34,9mm)		578606	177,50	
LK Systems LK >B<-Press	V 12		578324	146,98	
	V 15		578328	146,98	
	V 18		578332	146,98	
	V 22		578334	146,98	
	V 28		578336	146,98	
	V 35		578604	178,12	
	V 12 S (PR-2B)	Mini Z8	574748 R	124,51	
	V 15 S (PR-2B)	Mini Z8	574752 R	124,51	
	V 18 S (PR-2B)	Mini Z8	574756 R	124,51	
	V 22 S (PR-2B)	Mini Z8	574758 R	124,51	
V 28 S (PR-2B)	Mini Z8	574760 R	124,51		
V 35 S (PR-2B)	Mini Z8	574762 R	136,96		

System	Pressing tongs Mini/pressing rings	Drive with adapter tongs	Art.-No.	€
LK Systems	V 12		578324	146,98
LK >B<-Press	V 15		578328	146,98
Elförzinkat	V 18		578332	146,98
	V 22		578334	146,98
	V 28		578336	146,98
	V 35		578604	178,12
	V 12 S (PR-2B)	Mini Z8	574748 R	124,51
	V 15 S (PR-2B)	Mini Z8	574752 R	124,51
	V 18 S (PR-2B)	Mini Z8	574756 R	124,51
	V 22 S (PR-2B)	Mini Z8	574758 R	124,51
	V 28 S (PR-2B)	Mini Z8	574760 R	124,51
	V 35 S (PR-2B)	Mini Z8	574762 R	136,96
LK Systems	V 15		578328	146,98
LK >B<-Press	V 18		578332	146,98
Gas	V 22		578334	146,98
	V 28		578336	146,98
	V 35		578604	178,12
	V 15 S (PR-2B)	Mini Z8	574752 R	124,51
	V 18 S (PR-2B)	Mini Z8	574756 R	124,51
	V 22 S (PR-2B)	Mini Z8	574758 R	124,51
	V 28 S (PR-2B)	Mini Z8	574760 R	124,51
	V 35 S (PR-2B)	Mini Z8	574762 R	136,96
LK Systems	TH 16		578352 R	177,08
LK Universal	TH 20		578358 R	177,08
	TH 25		578360	177,08
	TH 32		578364	177,08
	TH 40		578624	234,69
M				
MAINCOR	U 16		578374	165,66
MAINPRESS	U 20		578378	165,66
	U 25		578380	165,66
	U 32		578382	194,31
	U 40		578386	236,66
MAINCOR	U 16		578374	165,66
MAINFLOR	U 20		578378	165,66
Mair Heiztechnik	H 11,5		578394	159,75
M-Press	TH 16		578352 R	177,08
	TH 20		578358 R	177,08
	TH 26		578362 R	177,08
	TH 32		578364	177,08
	TH 40		578624	234,69
	TH 16 S (PR-2B)**	Mini Z8	574782 R	124,51
	TH 20 S (PR-2B)**	Mini Z8	574788 R	124,51
	TH 26 S (PR-2B)**	Mini Z8	574794 R	124,51
	TH 32 S (PR-2B)	Mini Z8	574798 R	136,96
Ma.s.ter System	TH 14		578348	177,08
PRESSMASTER	TH 16		578352 R	177,08
	TH 18		578356	177,08
	TH 20		578358 R	177,08
	TH 25		578360	177,08
	TH 26		578362 R	177,08
	TH 32		578364	177,08
	TH 40		578624	234,69
	TH 14 S (PR-2B)**	Mini Z8	574778 R	124,51
	TH 16 S (PR-2B)**	Mini Z8	574782 R	124,51
	TH 18 S (PR-2B)**	Mini Z8	574786 R	124,51
	TH 20 S (PR-2B)**	Mini Z8	574788 R	124,51
	TH 25 S (PR-2B)**	Mini Z8	574792 R	124,51
	TH 26 S (PR-2B)**	Mini Z8	574794 R	124,51
	TH 32 S (PR-2B)	Mini Z8	574798 R	136,96
	H 14		578398	159,75
	H 16		578400	159,75
	H 18		578404	159,75
	H 20		578406	159,75
	H 26		578410	159,75
	H 32		578412	159,75
	U 14		578372	174,38
	U 16		578374	165,66
	U 18		578376	165,66
	U 20		578378	165,66
	U 25		578380	165,66
	U 32		578382	194,31
	U 40		578386	236,66

System	Pressing tongs Mini/pressing rings	Drive with adapter tongs	Art.-No.	€
Meier Tobler	H 16		578400	159,75
Metaplast - Stramax	H 20		578406	159,75
Serie MM	H 25		578408	159,75
	H 32		578412	159,75
	RFz 16		578492	184,45
	RFz 20		578494	184,45
	RFz 25		578496	184,45
	RFz 32		578498	184,45
	TH 16		578352 R	177,08
	TH 20		578358 R	177,08
	TH 25		578360	177,08
	TH 32		578364	177,08
	TH 40		578624	234,69
	TH 16 S (PR-2B)**	Mini Z8	574782 R	124,51
	TH 20 S (PR-2B)**	Mini Z8	574788 R	124,51
	TH 25 S (PR-2B)**	Mini Z8	574792 R	124,51
	TH 32 S (PR-2B)	Mini Z8	574798 R	136,96
	U 16		578374	165,66
	U 20		578378	165,66
	U 25		578380	165,66
	U 32		578382	194,31
	U 40		578386	236,66
METALGRUP	U 16		578374	165,66
Permatubo	U 18		578376	165,66
	U 20		578378	165,66
	U 25		578380	165,66
	U 32		578382	194,31
	U 40		578386	236,66
METALGRUP	RFz 16		578492	184,45
PexGrup	RFz 20		578494	184,45
	RFz 25		578496	184,45
	RFz 32		578498	184,45
METALGRUP	U 16		578374	165,66
MultiGrup	U 18		578376	165,66
	U 20		578378	165,66
	U 25		578380	165,66
	U 32		578382	194,31
Mueller Streamline	VUS ½" (OD 15,9 mm)		578566	177,50
PRS Copper Press	VUS ¾" (OD 22,2 mm)		578568	177,50
	VUS 1" (OD 28,6 mm)		578570	177,50
	VUS 1¼" (OD 34,9 mm)		578606	177,50
MULTITHERM	TH 16		578352 R	177,08
PRESSSYSTEM	TH 20		578358 R	177,08
	TH 26		578362 R	177,08
	TH 32		578364	177,08
	TH 40		578624	234,69
	TH 16 S (PR-2B)**	Mini Z8	574782 R	124,51
	TH 20 S (PR-2B)**	Mini Z8	574788 R	124,51
	TH 26 S (PR-2B)**	Mini Z8	574794 R	124,51
	TH 32 S (PR-2B)	Mini Z8	574798 R	136,96
Multicap Industrial	RFz 16		578492	184,45
AIS PEX	RFz 20		578494	184,45
	RFz 25		578496	184,45
	RFz 32		578498	184,45
	U 16		578374	165,66
	U 20		578378	165,66
	U 25		578380	165,66
	U 32		578382	194,31
Multicap Industrial	H 16		578400	159,75
AIS XPRT	H 20		578406	159,75
	H 25		578408	159,75
	H 26		578410	159,75
	H 32		578412	159,75
	RFz 16		578492	184,45
	RFz 20		578494	184,45
	RFz 25		578496	184,45
	RFz 32		578498	184,45
	TH 16		578352 R	177,08
	TH 20		578358 R	177,08
	TH 25		578360	177,08
	TH 26		578362 R	177,08
	TH 32		578364	177,08
	TH 40		578624	234,69
	TH 16 S (PR-2B)**	Mini Z8	574782 R	124,51
	TH 20 S (PR-2B)**	Mini Z8	574788 R	124,51
	TH 25 S (PR-2B)**	Mini Z8	574792 R	124,51
	TH 26 S (PR-2B)**	Mini Z8	574794 R	124,51
	TH 32 S (PR-2B)	Mini Z8	574798 R	136,96
	U 16		578374	165,66
	U 20		578378	165,66
	U 25		578380	165,66
	U 32		578382	194,31
	U 40		578386	236,66

Pressfitting systems for gas installations may only be pressed with the pressing tongs Mini which are highlighted in yellow in the table.

Observe the national regulations. Read and observe the system provider's/manufacturer's instructions for use and assembly instructions.

** Can also be driven by the ROLLER'S Easy-Press manual radial press using the Z8 adapter tongs, see page 90. Observe the national regulations.

1) Only pressing tongs from designation "108" (1st quarter of 2008), "208" (2nd quarter of 2008) etc. can be used. The designation is stamped on every pressing jaw.

2) For accommodating suitable pressing inserts.

3) Only pressing tongs from designation "117" (1st quarter of 201), "217" (2nd quarter of 2017) etc. can be used. The designation is stamped on every pressing jaw.

4) For pipes with the EN technical standard. Observe the system provider's/manufacturer's instructions for use.

6) Only use Mini pressing tongs identified by "VMP ½" G" on the pressing jaws for gas installations.

7) Previous designation: Mini C 26 pressing tongs

9) For pipes with the ASTM technical standard. Observe the system provider's/manufacturer's instructions for use.

Suitability of the ROLLER'S pressing tools for pressfitting systems: Status 27.10.2023. The current status can be found on the Internet:

www.albert-roller.de → Downloads → Product Catalogues, Brochures → ROLLER Catalogue.

See page 79 for adapter tongs. Pressing tongs/pressing rings for other press fitting systems on request.

ROLLER'S pressing tongs Mini / pressing rings

Accessory for ROLLER'S 22kN radial presses

System	Pressing tongs Mini/pressing rings	Drive with adapter tongs	Art.-No.	€	
Multicap Industrial multitubo systems MC	U 16		578374	165,66	
	U 18		578376	165,66	
	U 20		578378	165,66	
	U 25		578380	165,66	
	U 32		578382	194,31	
	U 40		578386	236,66	
Multicap Industrial multitubo systems MM	H 16		578400	159,75	
	H 20		578406	159,75	
	H 25		578408	159,75	
	H 26		578410	159,75	
	H 32		578412	159,75	
	RFz 16		578492	184,45	
	RFz 20		578494	184,45	
	RFz 25		578496	184,45	
	RFz 32		578498	184,45	
	TH 16		578352 R	177,08	
	TH 20		578358 R	177,08	
	TH 25		578360	177,08	
	TH 26		578362 R	177,08	
	TH 32		578364	177,08	
	TH 40		578624	234,69	
	TH 16 S (PR-2B)**	Mini Z8	574782 R	124,51	
	TH 20 S (PR-2B)**	Mini Z8	574788 R	124,51	
	TH 25 S (PR-2B)**	Mini Z8	574792 R	124,51	
	TH 26 S (PR-2B)**	Mini Z8	574794 R	124,51	
	TH 32 S (PR-2B)	Mini Z8	574798 R	136,96	
	U 16		578374	165,66	
	U 20		578378	165,66	
	U 25		578380	165,66	
	U 32		578382	194,31	
	U 40		578386	236,66	
	multipipe Deutschland multipipe mp	TH 16		578352 R	177,08
		TH 20		578358 R	177,08
		TH 26		578362 R	177,08
		TH 32		578364	177,08
		TH 40		578624	234,69
		TH 16 S (PR-2B)**	Mini Z8	574782 R	124,51
		TH 20 S (PR-2B)**	Mini Z8	574788 R	124,51
	TH 26 S (PR-2B)**	Mini Z8	574794 R	124,51	
TH 32 S (PR-2B)	Mini Z8	574798 R	136,96		
N					
NEUTHERM MEKUPRESS-HT	H 16		578400	159,75	
	H 20		578406	159,75	
	H 26		578410	159,75	
	H 32		578412	159,75	
NIBCO Press System Copper	VUS ½" (OD 15,9 mm)		578566	177,50	
	VUS ¾" (OD 22,2 mm)		578568	177,50	
	VUS 1" (OD 28,6 mm)		578570	177,50	
	VUS 1½" (OD 34,9 mm)		578606	177,50	
NICOLL FLUXO	TH 16		578352 R	177,08	
	TH 20		578358 R	177,08	
	TH 25		578360	177,08	
	TH 26		578362 R	177,08	
	TH 32		578364	177,08	
	TH 40		578624	234,69	
	TH 16 S (PR-2B)**	Mini Z8	574782 R	124,51	
	TH 20 S (PR-2B)**	Mini Z8	574788 R	124,51	
	TH 26 S (PR-2B)**	Mini Z8	574794 R	124,51	
	TH 32 S (PR-2B)	Mini Z8	574798 R	136,96	
	NUPI Industrie Italiane Multinupi	B 16		578468	193,28
		B 18		578470	193,28
		B 20		578472	193,28
		B 26		578474	213,00
		B 32		578476	213,00
F 16			578456	168,68	
F 18			578458	168,68	
F 20			578460	168,68	
F 26			578462	182,48	
F 32			578464	182,48	
F 16 S (PR-2B)**		Mini Z8	574728 R	124,51	
F 20 S (PR-2B)**		Mini Z8	574730 R	124,51	
F 26 S (PR-2B)**		Mini Z8	574732 R	124,51	
F 32 S (PR-2B)		Mini Z8	574734 R	136,96	
H 16			578400	159,75	
H 18			578404	159,75	
H 20			578406	159,75	
H 25			578408	159,75	
H 26			578410	159,75	
H 32			578412	159,75	
TH 16			578352 R	177,08	
TH 18			578356	177,08	
TH 20			578358 R	177,08	
TH 25			578360	177,08	
TH 26			578362 R	177,08	
TH 32		578364	177,08		
TH 16 S (PR-2B)**	Mini Z8	574782 R	124,51		
TH 18 S (PR-2B)**	Mini Z8	574786 R	124,51		
TH 20 S (PR-2B)**	Mini Z8	574788 R	124,51		
TH 25 S (PR-2B)**	Mini Z8	574792 R	124,51		
TH 26 S (PR-2B)**	Mini Z8	574794 R	124,51		
TH 32 S (PR-2B)	Mini Z8	574798 R	136,96		
U 14		578372	174,38		
U 16		578374	165,66		
U 18		578376	165,66		
U 20		578378	165,66		
U 25		578380	165,66		
U 26 ^{o)}		578392	194,31		
U 32		578382	194,31		
U 40		578386	236,66		
Nussbaum Optifit-Press	VMP ¾" (OD 17,2 mm)		578660	204,17	
	VMP ½" G (OD 21,3 mm)		578666 R	204,17	
	VMPz ¾" (OD 26,9 mm)		578664	204,17	

System	Pressing tongs Mini/pressing rings	Drive with adapter tongs	Art.-No.	€	
Nussbaum Optiflex-Flowpress	VRX 16		578640	186,42	
	VRX 20		578642	186,42	
	VRX 25		578644	204,17	
	VRX 32		578646	204,17	
Nussbaum Optipress	V 15		578328	146,98	
	V 18		578332	146,98	
Aquaplus	V 22		578334	146,98	
	V 28		578336	146,98	
	V 35		578604	178,12	
	V 15 S (PR-2B)	Mini Z8	574752 R	124,51	
	V 18 S (PR-2B)	Mini Z8	574756 R	124,51	
	V 22 S (PR-2B)	Mini Z8	574758 R	124,51	
	V 28 S (PR-2B)	Mini Z8	574760 R	124,51	
	V 35 S (PR-2B)	Mini Z8	574762 R	136,96	
	Nussbaum Optipress Gaz	V 15		578328	146,98
	V 18		578332	146,98	
V 22		578334	146,98		
V 28		578336	146,98		
V 35		578604	178,12		
V 15 S (PR-2B)	Mini Z8	574752 R	124,51		
V 18 S (PR-2B)	Mini Z8	574756 R	124,51		
V 22 S (PR-2B)	Mini Z8	574758 R	124,51		
V 28 S (PR-2B)	Mini Z8	574760 R	124,51		
V 35 S (PR-2B)	Mini Z8	574762 R	136,96		
Nussbaum Optipress-Therm	V 15		578328	146,98	
	V 18		578332	146,98	
	V 22		578334	146,98	
	V 28		578336	146,98	
	V 35		578604	178,12	
	V 15 S (PR-2B)	Mini Z8	574752 R	124,51	
	V 18 S (PR-2B)	Mini Z8	574756 R	124,51	
	V 22 S (PR-2B)	Mini Z8	574758 R	124,51	
	V 28 S (PR-2B)	Mini Z8	574760 R	124,51	
	V 35 S (PR-2B)	Mini Z8	574762 R	136,96	

O				
Oventrop Cofit P	H 16 A		578420	204,17
	H 20 A		578426	204,17
	H 26 A		578430	204,17
	H 32 A		578432	204,17
Oventrop Cofit PD	H 16 A		578420	204,17
	H 20 A		578426	204,17
	H 26 A		578430	204,17
	H 32 A		578432	204,17
Oventrop Cofit PDK	H 16 A		578420	204,17
	H 20 A		578426	204,17
	H 26 A		578430	204,17
	H 32 A		578432	204,17
Oventrop Cofit PD-HT	H 16 A		578420	204,17
	H 20 A		578426	204,17
	H 26 A		578430	204,17
	H 32 A		578432	204,17
Oventrop Cofit PDK-HT	H 16 A		578420	204,17
	H 20 A		578426	204,17

P				
PBTub SERTIPRESS	RFz 12		578490	184,45
	RFz 16		578492	184,45
	RFz 20		578494	184,45
	RFz 25		578496	184,45
PBTub SERTI-STEEL ¹⁾	M 15		578312	146,98
	M 18		578314	146,98
	M 22		578316	146,98
	M 28		578318	146,98
	M 15 S (PR-2B)	Mini Z8	574738 R	124,51
	M 18 S (PR-2B)	Mini Z8	574740 R	124,51
	M 22 S (PR-2B)	Mini Z8	574742 R	124,51
	M 28 S (PR-2B)	Mini Z8	574744 R	124,51
Pegler Yorkshire > Aalberts integrated piping systems				

PERFEXIM SYSTEM	U 16		578374	165,66	
	U 20		578378	165,66	
	U 25		578380	165,66	
	U 32		578382	194,31	
PERFEXIM SYSTEM PLUS	U 16		578374	165,66	
	U 20		578378	165,66	
	U 25		578380	165,66	
	U 32		578382	194,31	
	TH 16		578352 R	177,08	
	TH 20		578358 R	177,08	
	TH 25		578360	177,08	
	TH 32		578364	177,08	
	TH 16 S (PR-2B)**	Mini Z8	574782 R	124,51	
	TH 20 S (PR-2B)**	Mini Z8	574788 R	124,51	
TH 25 S (PR-2B)**	Mini Z8	574792 R	124,51		
TH 32 S (PR-2B)	Mini Z8	574798 R	136,96		
PERFILTUBO PERFILALUPEX	U 16		578374	165,66	
	U 18		578376	165,66	
	U 20		578378	165,66	
	U 25		578380	165,66	
	U 32		578382	194,31	
	U 40		578386	236,66	
	PERFILTUBO PERFILPRESS	M 15		578312	146,98
	M 18		578314	146,98	
	M 22		578316	146,98	
	M 28		578318	146,98	
M 35		578390	178,12		
M 15 S (PR-2B)	Mini Z8	574738 R	124,51		
M 18 S (PR-2B)	Mini Z8	574740 R	124,51		
M 22 S (PR-2B)	Mini Z8	574742 R	124,51		
M 28 S (PR-2B)	Mini Z8	574744 R	124,51		
M 35 S (PR-2B)	Mini Z8	574746 R	136,96		
PEXTUBE PexTube	RFz 16		578492	184,45	
	RFz 20		578494	184,45	
	RFz 25		578496	184,45	
	RFz 32		578498	184,45	

System	Pressing tongs Mini/pressing rings	Drive with adapter tongs	Art.-No.	€
Pipelife C-PRESS	M 15		578312	146,98
	M 18		578314	146,98
	M 22		578316	146,98
	M 28		578318	146,98
	M 35		578390	178,12
	M 15 S (PR-2B)	Mini Z8	574738 R	124,51
	M 18 S (PR-2B)	Mini Z8	574740 R	124,51
	M 22 S (PR-2B)	Mini Z8	574742 R	124,51
	M 28 S (PR-2B)	Mini Z8	574744 R	124,51
	M 35 S (PR-2B)	Mini Z8	574746 R	136,96
Pipelife RADOPRESS	TH 16		578352 R	177,08
	TH 18		578356	177,08
	TH 20		578358 R	177,08
	TH 26		578362 R	177,08
	TH 32		578364	177,08
	TH 40		578624	234,69
	TH 16 S (PR-2B)**	Mini Z8	574782 R	124,51
	TH 18 S (PR-2B)**	Mini Z8	574786 R	124,51
	TH 20 S (PR-2B)**	Mini Z8	574788 R	124,51
	TH 26 S (PR-2B)**	Mini Z8	574794 R	124,51
TH 32 S (PR-2B)	Mini Z8	574798 R	136,96	
Pipetec Connect	TH 16		578352 R	177,08
	TH 20		578358 R	177,08
	TH 26		578362 R	177,08
	TH 32		578364	177,08
	TH 40		578624	234,69
	TH 16 S (PR-2B)**	Mini Z8	574782 R	124,51
	TH 20 S (PR-2B)**	Mini Z8	574788 R	124,51
	TH 26 S (PR-2B)**	Mini Z8	574794 R	124,51
	TH 32 S (PR-2B)	Mini Z8	574798 R	136,96
	U 16		578374	165,66
U 20		578378	165,66	
U 32		578382	194,31	
PLASTICA ALFA Multiplex	TH 16		578352 R	177,08
	TH 20		578358 R	177,08
	TH 26		578362 R	177,08
	TH 32		578364	177,08
	TH 16 S (PR-2B)**	Mini Z8	574782 R	124,51
	TH 20 S (PR-2B)**	Mini Z8	574788 R	124,51
PLASTICA ALFA Multiplex Air	TH 16		578352 R	177,08
	TH 20		578358 R	177,08
	TH 26		578362 R	177,08
	TH 32		578364	177,08
	TH 16 S (PR-2B)**	Mini Z8	574782 R	124,51
	TH 20 S (PR-2B)**	Mini Z8	574788 R	124,51
PLASTICA ALFA Multiplexalfa Gas	TH 16		578352 R	177,08
	TH 20		578358 R	177,08
	TH 26		578362 R	177,08
	TH 16 S (PR-2B)**	Mini Z8	574782 R	124,51
	TH 20 S (PR-2B)**	Mini Z8	574788 R	124,51
	TH 26 S (PR-2B)**	Mini Z8	574794 R	124,51
PLASTICA ALFA Multiplexalfa Gas protek	TH 16		578352 R	177,08
	TH 20		578358 R	177,08
	TH 26		578362 R	177,08
	TH 16 S (PR-2B)**	Mini Z8	574782 R	124,51
	TH 20 S (PR-2B)**	Mini Z8	574788 R	124,51
	TH 26 S (PR-2B)**	Mini Z8	574794 R	124,51
PLASTICA ALFA Multiplex Plus	TH 16		578352 R	177,08
	TH 20		578358 R	177,08
	TH 26		578362 R	177,08
	TH 32		578364	177,08
	TH 16 S (PR-2B)**	Mini Z8	574782 R	124,51
	TH 20 S (PR-2B)**	Mini Z8	574788 R	124,51
PLASTICA ALFA Multiplex Thermo	TH 16		578352 R	177,08
	TH 20		578358 R	177,08
	TH 26		578362 R	177,08
	TH 32		578364	177,08
	TH 16 S (PR-2B)**	Mini Z8	574782 R	124,51
	TH 20 S (PR-2B)**	Mini Z8	574788 R	124,51
PLASTICA ALFA Multiplex Thermo Plus	TH 16		578352 R	177,08
	TH 20		578358 R	177,08
	TH 26		578362 R	177,08
	TH 32		578364	177,08
	TH 16 S (PR-2B)**	Mini Z8	574782 R	124,51
	TH 20 S (PR-2B)**	Mini Z8	574788 R	124,51

System	Pressing tongs Mini/pressing rings	Drive with adapter tongs	Art.-No.	€	
PLÁSTICOS FERRO	U 16		578374	165,66	
	U 20		578378	165,66	
	U 25		578380	165,66	
	U 32		578382	194,31	
	U 16		578374	165,66	
	U 20		578378	165,66	
	U 25		578380	165,66	
	U 32		578382	194,31	
	PLÁSTICOS FERRO	RFz 16		578492	184,45
		RFz 20		578494	184,45
RFz 25			578496	184,45	
RFz 32			578498	184,45	
K16/P18			578592	184,45	
K/20			578594	184,45	
K/25			578596	184,45	
K/32			578598	184,45	
K1/40			578600	184,45	
PLUMBING PLUS		K16/P18		578592	184,45
	K/20		578594	184,45	
	K/25		578596	184,45	
	K/32		578598	184,45	
	K1/40		578600	184,45	
	Yz 16 UNI		578740	184,45	
	Yz 20 UNI		578742	184,45	
	Yz 25 UNI		578744	184,45	
	Yz 32 UNI		578746	184,45	
	PLUMBING PLUS	VAU 15 (OD 12,7 mm)		578630	151,86
VAU 20 (OD 19,1 mm)			578632	151,86	
VAU 25 (OD 25,4 mm)			578634	151,86	
VAU 32 (OD 31,8 mm)			578636	159,75	
VAU 15 S (PR-2B) (OD 12,7 mm)		Mini Z8	574804 R	124,51	
VAU 20 S (PR-2B)** (OD 19,1 mm)		Mini Z8	574806 R	124,51	
VAU 25 S (PR-2B)** (OD 25,4 mm)		Mini Z8	574808 R	136,96	
VAU 15 (OD 12,7 mm)			578630	151,86	
VAU 20 (OD 19,1 mm)			578632	151,86	
VAU 25 (OD 25,4 mm)			578634	151,86	
PLUMBING PLUS	VAU 15 (OD 12,7 mm)		578630	151,86	
	VAU 20 (OD 19,1 mm)		578632	151,86	
	VAU 25 (OD 25,4 mm)		578634	151,86	
	VAU 32 (OD 31,8 mm)		578636	159,75	
	VAU 15 S (PR-2B) (OD 12,7 mm)	Mini Z8	574804 R	124,51	
	VAU 20 S (PR-2B)** (OD 19,1 mm)	Mini Z8	574806 R	124,51	
	VAU 25 S (PR-2B)** (OD 25,4 mm)	Mini Z8	574808 R	136,96	
	VAU 15 (OD 12,7 mm)		578630	151,86	
	VAU 20 (OD 19,1 mm)		578632	151,86	
	VAU 25 (OD 25,4 mm)		578634	151,86	
POLYPIPE	TH 10		578342	177,08	
	TH 15		578350	177,08	
	TH 22		578588	177,08	
	TH 28		578590	177,08	
	M 15		578312	146,98	
	M 18		578314	146,98	
	M 22		578316	146,98	
	M 28		578318	146,98	
	M 35		578390	178,12	
	M 15 S (PR-2B)	Mini Z8	574738 R	124,51	
POLYSAN	M 18		578314	146,98	
	M 22		578316	146,98	
	M 28		578318	146,98	
	M 35		578390	178,12	
	M 15 S (PR-2B)	Mini Z8	574738 R	124,51	
	M 18 S (PR-2B)	Mini Z8	574740 R	124,51	
	M 22 S (PR-2B)	Mini Z8	574742 R	124,51	
	M 28 S (PR-2B)	Mini Z8	574744 R	124,51	
	M 35 S (PR-2B)	Mini Z8	574746 R	136,96	
	M 15		578312	146,98	
POLYSAN	M 18		578314	146,98	
	M 22		578316	146,98	
	M 28		578318	146,98	
	M 35		578390	178,12	
	M 15 S (PR-2B)	Mini Z8	574738 R	124,51	
	M 18 S (PR-2B)	Mini Z8	574740 R	124,51	
	M 22 S (PR-2B)	Mini Z8	574742 R	124,51	
	M 28 S (PR-2B)	Mini Z8	574744 R	124,51	
	M 35 S (PR-2B)	Mini Z8	574746 R	136,96	
	M 15		578312	146,98	
POLYSAN	M 18		578314	146,98	
	M 22		578316	146,98	
	M 28		578318	146,98	
	M 35		578390	178,12	
	M 15 S (PR-2B)	Mini Z8	574738 R	124,51	
	M 18 S (PR-2B)	Mini Z8	574740 R	124,51	
	M 22 S (PR-2B)	Mini Z8	574742 R	124,51	
	M 28 S (PR-2B)	Mini Z8	574744 R	124,51	
	M 35 S (PR-2B)	Mini Z8	574746 R	136,96	
	M 15		578312	146,98	

Pressfitting systems for gas installations may only be pressed with the pressing tongs Mini which are highlighted in yellow in the table.

Observe the national regulations. Read and observe the system provider's/manufacturer's instructions for use and assembly instructions.

** Can also be driven by the ROLLER'S Easy-Press manual radial press using the Z8 adapter tongs, see page 90. Observe the national regulations.

1) Only pressing tongs from designation "108" (1st quarter of 2008), "208" (2nd quarter of 2008) etc. can be used. The designation is stamped on every pressing jaw.

2) For accommodating suitable pressing inserts.

3) Only pressing tongs from designation "117" (1st quarter of 201), "217" (2nd quarter of 2017) etc. can be used. The designation is stamped on every pressing jaw.

4) For pipes with the EN technical standard. Observe the system provider's/manufacturer's instructions for use.

5) Only use Mini pressing tongs identified by "VMP 1/2" G" on the pressing jaws for gas installations.

7) Previous designation: Mini C 26 pressing tongs

9) For pipes with the ASTM technical standard. Observe the system provider's/manufacturer's instructions for use.

Suitability of the ROLLER'S pressing tools for pressfitting systems: Status 27.10.2023. The current status can be found on the Internet: www.albert-roller.de → Downloads → Product Catalogues, Brochures → ROLLER Catalogue. See page 79 for adapter tongs. Pressing tongs/pressing rings for other press fitting systems on request.

System	Pressing tongs Mini/pressing rings	Drive with adapter tongs	Art.-No.	€
POLYSAN	M 15		578312	146,98
Handelsges.	M 18		578314	146,98
m.b.H. & Co KG	M 22		578316	146,98
(Krems/Österreich)	M 28		578318	146,98
	M 35		578390	178,12
POLYSAN-	M 15 S (PR-2B)	Mini Z8	574738 R	124,51
Edelstahl	M 18 S (PR-2B)	Mini Z8	574740 R	124,51
Press-System	M 22 S (PR-2B)	Mini Z8	574742 R	124,51
Wasser	M 28 S (PR-2B)	Mini Z8	574744 R	124,51
	M 35 S (PR-2B)	Mini Z8	574746 R	136,96
POLYSAN	TH 14		578348	177,08
Handelsges.	TH 16		578352 R	177,08
m.b.H. & Co KG	TH 17		578354	177,08
(Krems/Österreich)	TH 18		578356	177,08
	TH 20		578358 R	177,08
POLYSAN-	TH 26		578362 R	177,08
Press-System	TH 32		578364	177,08
	TH 40		578624	234,69
	TH 14 S (PR-2B)**	Mini Z8	574778 R	124,51
	TH 16 S (PR-2B)**	Mini Z8	574782 R	124,51
	TH 17 S (PR-2B)**	Mini Z8	574784 R	124,51
	TH 18 S (PR-2B)**	Mini Z8	574786 R	124,51
	TH 20 S (PR-2B)**	Mini Z8	574788 R	124,51
	TH 26 S (PR-2B)**	Mini Z8	574794 R	124,51
	TH 32 S (PR-2B)**	Mini Z8	574798 R	136,96
POLYSAN	TH 14		578348	177,08
Handelsges.	TH 16		578352 R	177,08
m.b.H. & Co KG	TH 17		578354	177,08
(Krems/Österreich)	TH 18		578356	177,08
	TH 20		578358 R	177,08
POLYSAN-Henco-	TH 26		578362 R	177,08
Press-System	HE 32		578370 R	212,06
	HEz 40 ³⁾		578572	307,66
	TH 14 S (PR-2B)**	Mini Z8	574778 R	124,51
	TH 16 S (PR-2B)**	Mini Z8	574782 R	124,51
	TH 17 S (PR-2B)**	Mini Z8	574784 R	124,51
	TH 18 S (PR-2B)**	Mini Z8	574786 R	124,51
	TH 20 S (PR-2B)**	Mini Z8	574788 R	124,51
	TH 26 S (PR-2B)**	Mini Z8	574794 R	124,51
POLYSAN (España)	U 16		578374	165,66
„Rainbow“	U 18		578376	165,66
	U 20		578378	165,66
	U 25		578380	165,66
	U 32		578382	194,31
	U 40		578386	236,66
Prandelli	H 14		578398	159,75
Multyrama Pf	H 16		578400	159,75
	H 18		578404	159,75
	H 20		578406	159,75
	H 26		578410	159,75
	H 32		578412	159,75
	U 40		578386	236,66
Prandelli	H 16		578400	159,75
Multyrama Pfm	H 18		578404	159,75
	H 20		578406	159,75
	H 26		578410	159,75
	H 32		578412	159,75
	TH 16		578352 R	177,08
	TH 18		578356	177,08
	TH 20		578358 R	177,08
	TH 26		578362 R	177,08
	TH 32		578364	177,08
	TH 40		578624	234,69
	TH 16 S (PR-2B)**	Mini Z8	574782 R	124,51
	TH 18 S (PR-2B)**	Mini Z8	574786 R	124,51
	TH 20 S (PR-2B)**	Mini Z8	574788 R	124,51
	TH 26 S (PR-2B)**	Mini Z8	574794 R	124,51
	TH 32 S (PR-2B)**	Mini Z8	574798 R	136,96
	U 16		578374	165,66
	U 18		578376	165,66
	U 20		578378	165,66
	U 40		578386	236,66
PURMO	F 16		578456	168,68
Cleverfit Radial	F 20		578460	168,68
	F 26		578462	182,48
	F 32		578464	182,48
	F 16 S (PR-2B)**	Mini Z8	574728 R	124,51
	F 20 S (PR-2B)**	Mini Z8	574730 R	124,51
	F 26 S (PR-2B)**	Mini Z8	574732 R	124,51
	F 32 S (PR-2B)	Mini Z8	574734 R	136,96
	H 16		578400	159,75
	H 20		578406	159,75
	H 26		578410	159,75
	H 32		578412	159,75
	TH 14		578348	177,08
	TH 16		578352 R	177,08
	TH 17		578354	177,08
	TH 20		578358 R	177,08
	TH 26		578362 R	177,08
	TH 32		578364	177,08
	TH 40		578624	234,69
	TH 14 S (PR-2B)**	Mini Z8	574778 R	124,51
	TH 16 S (PR-2B)**	Mini Z8	574782 R	124,51
	TH 17 S (PR-2B)**	Mini Z8	574784 R	124,51
	TH 20 S (PR-2B)**	Mini Z8	574788 R	124,51
	TH 26 S (PR-2B)**	Mini Z8	574794 R	124,51
	TH 32 S (PR-2B)**	Mini Z8	574798 R	136,96
	U 16		578374	165,66
	U 20		578378	165,66
	U 32		578382	194,31
	VP 16		578482	176,56
	VP 20		578484	176,56
	VP 32		578488	195,25

System	Pressing tongs Mini/pressing rings	Drive with adapter tongs	Art.-No.	€
R				
Raccorderie	M 15		578312	146,98
Metallische	M 18		578314	146,98
aesPRES ¹⁾	M 22		578316	146,98
	M 28		578318	146,98
	M 35		578390	178,12
	M 15 S (PR-2B)	Mini Z8	574738 R	124,51
	M 18 S (PR-2B)	Mini Z8	574740 R	124,51
	M 22 S (PR-2B)	Mini Z8	574742 R	124,51
	M 28 S (PR-2B)	Mini Z8	574744 R	124,51
	M 35 S (PR-2B)	Mini Z8	574746 R	136,96
Raccorderie	M 15		578312	146,98
Metallische	M 18		578314	146,98
inoxPRES ¹⁾	M 22		578316	146,98
	M 28		578318	146,98
	M 35		578390	178,12
	M 15 S (PR-2B)	Mini Z8	574738 R	124,51
	M 18 S (PR-2B)	Mini Z8	574740 R	124,51
	M 22 S (PR-2B)	Mini Z8	574742 R	124,51
	M 28 S (PR-2B)	Mini Z8	574744 R	124,51
	M 35 S (PR-2B)	Mini Z8	574746 R	136,96
Raccorderie	M 15		578312	146,98
Metallische	M 18		578314	146,98
MARINEPRES ¹⁾	M 22		578316	146,98
	M 28		578318	146,98
	M 35		578390	178,12
	M 15 S (PR-2B)	Mini Z8	574738 R	124,51
	M 18 S (PR-2B)	Mini Z8	574740 R	124,51
	M 22 S (PR-2B)	Mini Z8	574742 R	124,51
	M 28 S (PR-2B)	Mini Z8	574744 R	124,51
	M 35 S (PR-2B)	Mini Z8	574746 R	136,96
Raccorderie	M 15		578312	146,98
Metallische	M 18		578314	146,98
steelPRES ¹⁾	M 22		578316	146,98
	M 28		578318	146,98
	M 35		578390	178,12
	M 15 S (PR-2B)	Mini Z8	574738 R	124,51
	M 18 S (PR-2B)	Mini Z8	574740 R	124,51
	M 22 S (PR-2B)	Mini Z8	574742 R	124,51
	M 28 S (PR-2B)	Mini Z8	574744 R	124,51
	M 35 S (PR-2B)	Mini Z8	574746 R	136,96
RBM Tita-fix	B 14		578466	193,28
	B 16		578468	193,28
	B 18		578470	193,28
	B 20		578472	193,28
	B 26		578474	213,00
	F 16		578456	168,68
	F 18		578458	168,68
	F 20		578460	168,68
	F 16 S (PR-2B)**	Mini Z8	574728 R	124,51
	F 20 S (PR-2B)**	Mini Z8	574730 R	124,51
	H 14		578398	159,75
	H 16		578400	159,75
	H 18		578404	159,75
	H 20		578406	159,75
	H 26		578410	159,75
	H 32		578412	159,75
	TH 14		578348	177,08
	TH 16		578352 R	177,08
	TH 18		578356	177,08
	TH 20		578358 R	177,08
	TH 26		578362 R	177,08
	TH 32		578364	177,08
	TH 40		578624	234,69
	TH 16 S (PR-2B)**	Mini Z8	574782 R	124,51
	TH 20 S (PR-2B)**	Mini Z8	574788 R	124,51
	TH 26 S (PR-2B)**	Mini Z8	574794 R	124,51
	TH 32 S (PR-2B)	Mini Z8	574798 R	136,96
	U 14		578372	174,38
	U 16		578374	165,66
	U 18		578376	165,66
	U 20		578378	165,66
RBM Tita-gas	TH 16		578352 R	177,08
	TH 20		578358 R	177,08
	TH 26		578362 R	177,08
	TH 32		578364	177,08
	TH 16 S (PR-2B)**	Mini Z8	574782 R	124,51
	TH 20 S (PR-2B)**	Mini Z8	574788 R	124,51
	TH 26 S (PR-2B)**	Mini Z8	574794 R	124,51
	TH 32 S (PR-2B)	Mini Z8	574798 R	136,96
Redi Nicoll Fluxo	TH 14		578348	177,08
	TH 16		578352 R	177,08
	TH 18		578356	177,08
	TH 20		578358 R	177,08
	TH 26		578362 R	177,08
	TH 32		578364	177,08
	TH 40		578624	234,69
	TH 16 S (PR-2B)**	Mini Z8	574782 R	124,51
	TH 20 S (PR-2B)**	Mini Z8	574788 R	124,51
	TH 26 S (PR-2B)**	Mini Z8	574794 R	124,51
	TH 32 S (PR-2B)	Mini Z8	574798 R	136,96

System	Pressing tongs Mini/pressing rings	Drive with adapter tongs	Art.-No.	€
Redi Nicoll Fluxo Gas	TH 16		578352 R	177,08
	TH 20		578358 R	177,08
	TH 26		578362 R	177,08
	TH 16 S (PR-2B)**	Mini Z8	574782 R	124,51
	TH 20 S (PR-2B)**	Mini Z8	574788 R	124,51
	TH 26 S (PR-2B)**	Mini Z8	574794 R	124,51
RIFENG LD	LD 16		578652	182,69
PRESS FITTING (F8)	LD 20		578654	182,69
	LD 25		578656	182,69
	LD 30		578658	182,69
RIFENG U	U 14		578372	174,38
PRESS FITTING (F5)	U 16		578374	165,66
	U 18		578376	165,66
	U 20		578378	165,66
	U 25		578380	165,66
	U 32		578382	194,31
	U 40		578386	236,66
RIFENG TH	TH 16		578352 R	177,08
PRESS FITTING (F9)	TH 20		578358 R	177,08
	TH 25		578360	177,08
	TH 26		578362 R	177,08
	TH 32		578364	177,08
	TH 40		578624	234,69
	TH 45		578626	234,69
R/QUIER A SERTIR	RFz 12		578490	184,45
	RFz 16		578492	184,45
	RFz 20		578494	184,45
	RFz 25		578496	184,45
R/QUIER Système multicouche	TH 16		578352 R	177,08
	TH 20		578358 R	177,08
	TH 26		578362 R	177,08
	TH 32		578364	177,08
	TH 40		578624	234,69
	TH 16 S (PR-2B)**	Mini Z8	574782 R	124,51
	TH 20 S (PR-2B)**	Mini Z8	574788 R	124,51
	TH 26 S (PR-2B)**	Mini Z8	574794 R	124,51
	TH 32 S (PR-2B)	Mini Z8	574798 R	136,96
	U 16		578374	165,66
	U 20		578378	165,66
	U 32		578382	194,31
	U 40		578386	236,66
	Roth PressCheck	RN 14		578434
RN 16			578454	165,66
RN 17			578436	165,66
RN 20			578438	165,66
RN 25/26			578440	165,66
RN 32			578442	194,31
RN 40			578444	194,31
Rubinetterie	M 15		578312	146,98
Bresciane	M 18		578314	146,98
Bonomi	M 22		578316	146,98
TURBO CuNi	M 28		578318	146,98
	M 35		578390	178,12
	M 15 S (PR-2B)	Mini Z8	574738 R	124,51
	M 18 S (PR-2B)	Mini Z8	574740 R	124,51
	M 22 S (PR-2B)	Mini Z8	574742 R	124,51
	M 28 S (PR-2B)	Mini Z8	574744 R	124,51
	M 35 S (PR-2B)	Mini Z8	574746 R	136,96
Rubinetterie	M 15		578312	146,98
Bresciane	M 18		578314	146,98
Bonomi	M 22		578316	146,98
TURBO INOX	M 28		578318	146,98
	M 35		578390	178,12
	M 15 S (PR-2B)	Mini Z8	574738 R	124,51
	M 18 S (PR-2B)	Mini Z8	574740 R	124,51
	M 22 S (PR-2B)	Mini Z8	574742 R	124,51
	M 28 S (PR-2B)	Mini Z8	574744 R	124,51
	M 35 S (PR-2B)	Mini Z8	574746 R	136,96
Rubinetterie	M 15		578312	146,98
Bresciane	M 18		578314	146,98
Bonomi	M 22		578316	146,98
TURBO INOX GAS	M 28		578318	146,98
	M 35		578390	178,12
	M 15 S (PR-2B)	Mini Z8	574738 R	124,51
	M 18 S (PR-2B)	Mini Z8	574740 R	124,51
	M 22 S (PR-2B)	Mini Z8	574742 R	124,51
	M 28 S (PR-2B)	Mini Z8	574744 R	124,51
	M 35 S (PR-2B)	Mini Z8	574746 R	136,96

System	Pressing tongs Mini/pressing rings	Drive with adapter tongs	Art.-No.	€
Rubinetterie	M 15		578312	146,98
Bresciane	M 18		578314	146,98
Bonomi	M 22		578316	146,98
TURBO STEEL	M 28		578318	146,98
	M 35		578390	178,12
	M 15 S (PR-2B)	Mini Z8	574738 R	124,51
	M 18 S (PR-2B)	Mini Z8	574740 R	124,51
	M 22 S (PR-2B)	Mini Z8	574742 R	124,51
	M 28 S (PR-2B)	Mini Z8	574744 R	124,51
	M 35 S (PR-2B)	Mini Z8	574746 R	136,96
Rubinetterie	B 14		578466	193,28
Bresciane	B 16		578468	193,28
Bonomi	B 18		578470	193,28
TURBO PRESS	B 20		578472	193,28
	B 26		578474	213,00
	B 32		578476	213,00
	H 14		578398	159,75
	H 16		578400	159,75
	H 18		578404	159,75
	H 20		578406	159,75
	H 26		578410	159,75
	H 32		578412	159,75
	TH 14		578348	177,08
	TH 16		578352 R	177,08
	TH 18		578356	177,08
	TH 20		578358 R	177,08
	TH 26		578362 R	177,08
	TH 32		578364	177,08
	TH 40		578624	234,69
	TH 16 S (PR-2B)**	Mini Z8	574782 R	124,51
	TH 20 S (PR-2B)**	Mini Z8	574788 R	124,51
	TH 26 S (PR-2B)**	Mini Z8	574794 R	124,51
	TH 32 S (PR-2B)	Mini Z8	574798 R	136,96
	U 14		578372	174,38
	U 16		578374	165,66
	U 18		578376	165,66
	U 20		578378	165,66
	U 26 ¹⁾		578392	194,31
	U 32		578382	194,31
Rubinetterie	TH 16		578352 R	177,08
Bresciane	TH 20		578358 R	177,08
Bonomi	TH 26		578362 R	177,08
TURBO PRESS	TH 32		578364	177,08
GAS	TH 16 S (PR-2B)**	Mini Z8	574782 R	124,51
	TH 20 S (PR-2B)**	Mini Z8	574788 R	124,51
	TH 26 S (PR-2B)**	Mini Z8	574794 R	124,51
	TH 32 S (PR-2B)	Mini Z8	574798 R	136,96
S				
SA.MI PLASTIC	TH 14		578348	177,08
	TH 16		578352 R	177,08
	TH 18		578356	177,08
	TH 20		578358 R	177,08
	TH 26		578362 R	177,08
	TH 32		578364	177,08
	TH 40		578624	234,69
	TH 14 S (PR-2B)**	Mini Z8	574778 R	124,51
	TH 16 S (PR-2B)**	Mini Z8	574782 R	124,51
	TH 18 S (PR-2B)**	Mini Z8	574786 R	124,51
	TH 20 S (PR-2B)**	Mini Z8	574788 R	124,51
	TH 26 S (PR-2B)**	Mini Z8	574794 R	124,51
	TH 32 S (PR-2B)	Mini Z8	574798 R	136,96
SA.MI PLASTIC Multistrato Gas	TH 16		578352 R	177,08
	TH 20		578358 R	177,08
	TH 26		578362 R	177,08
	TH 32		578364	177,08
	TH 16 S (PR-2B)**	Mini Z8	574782 R	124,51
	TH 20 S (PR-2B)**	Mini Z8	574788 R	124,51
	TH 26 S (PR-2B)**	Mini Z8	574794 R	124,51
	TH 32 S (PR-2B)	Mini Z8	574798 R	136,96

Pressfitting systems for gas installations may only be pressed with the pressing tongs Mini which are highlighted in yellow in the table.

Observe the national regulations. Read and observe the system provider's/manufacturer's instructions for use and assembly instructions.

** Can also be driven by the ROLLER'S Easy-Press manual radial press using the Z8 adapter tongs, see page 90. Observe the national regulations.

¹⁾ Only pressing tongs from designation "108" (1st quarter of 2008), "208" (2nd quarter of 2008) etc. can be used. The designation is stamped on every pressing jaw.

²⁾ For accommodating suitable pressing inserts.

³⁾ Only pressing tongs from designation "117" (1st quarter of 201), "217" (2nd quarter of 2017) etc. can be used. The designation is stamped on every pressing jaw.

⁴⁾ For pipes with the EN technical standard. Observe the system provider's/manufacturer's instructions for use.

⁵⁾ Only use Mini pressing tongs identified by "VMP 1/2" G" on the pressing jaws for gas installations.

⁷⁾ Previous designation: Mini C 26 pressing tongs

⁹⁾ For pipes with the ASTM technical standard. Observe the system provider's/manufacturer's instructions for use.

Suitability of the ROLLER'S pressing tools for pressfitting systems: Status 27.10.2023. The current status can be found on the Internet:

www.albert-roller.de → Downloads → Product Catalogues, Brochures → ROLLER Catalogue.

See page 79 for adapter tongs. Pressing tongs/pressing rings for other press fitting systems on request.

ROLLER'S pressing tongs Mini / pressing rings

Accessory for ROLLER'S 22kN radial presses

System	Pressing tongs Mini/pressing rings	Drive with adapter tongs	Art.-No.	€	System	Pressing tongs Mini/pressing rings	Drive with adapter tongs	Art.-No.	€		
SANHA 3fit-Press Pb-free Serie 25000	B 16		578468	193,28	SANHA-NiroSan Industry Presssystem Serie 18000	SA 15		578514	176,56		
	B 20		578472	193,28		SA 18		578518	176,56		
	B 26		578474	213,00		SA 22		578520	176,56		
	B 32		578476	213,00		SA 28		578522	176,56		
	F 16		578456	168,68		M 15 ¹⁾		578312	146,98		
	F 20		578460	168,68		M 18 ¹⁾		578314	146,98		
	F 26		578462	182,48		M 22 ¹⁾		578316	146,98		
	F 32		578464	182,48		M 28		578318	146,98		
	Fz 40		578478	247,15		M 35		578390	178,12		
	F 16 S (PR-2B)**	Mini Z8	574728 R	124,51		M 15 S (PR-2B)	Mini Z8	574738 R	124,51		
	F 20 S (PR-2B)**	Mini Z8	574730 R	124,51		M 18 S (PR-2B)	Mini Z8	574740 R	124,51		
	F 26 S (PR-2B)**	Mini Z8	574732 R	124,51		M 22 S (PR-2B)	Mini Z8	574742 R	124,51		
	F 32 S (PR-2B)	Mini Z8	574734 R	136,96		M 28 S (PR-2B)	Mini Z8	574744 R	124,51		
	H 16		578400	159,75		M 35 S (PR-2B)	Mini Z8	574746 R	136,96		
	H 20		578406	159,75		V 15 ¹⁾		578328	146,98		
	H 26		578410	159,75		V 18 ¹⁾		578332	146,98		
	H 32		578412	159,75		V 22 ¹⁾		578334	146,98		
	TH 16		578352 R	177,08		V 28		578336	146,98		
	TH 20		578358 R	177,08		V 35		578604	178,12		
	TH 26		578362 R	177,08		V 15 S (PR-2B)	Mini Z8	574752 R	124,51		
	TH 32		578364	177,08		V 18 S (PR-2B)	Mini Z8	574756 R	124,51		
	TH 40		578624	234,69		V 22 S (PR-2B)	Mini Z8	574758 R	124,51		
	TH 16 S (PR-2B)**	Mini Z8	574782 R	124,51		V 28 S (PR-2B)	Mini Z8	574760 R	124,51		
	TH 20 S (PR-2B)**	Mini Z8	574788 R	124,51		V 35 S (PR-2B)	Mini Z8	574762 R	136,96		
	TH 26 S (PR-2B)**	Mini Z8	574794 R	124,51		SANHA-NiroSan- Presssystem Serie 9000	SA 15		578514	176,56	
	TH 32 S (PR-2B)	Mini Z8	574798 R	136,96			SA 18		578518	176,56	
	U 16		578374	165,66			SA 22		578520	176,56	
	U 20		578378	165,66			SA 28		578522	176,56	
	U 26 ¹⁾		578392	194,31			M 15 ¹⁾		578312	146,98	
	U 32		578382	194,31			M 18 ¹⁾		578314	146,98	
	U 40		578386	236,66			M 22 ¹⁾		578316	146,98	
	SANHA 3fit-Press PPSU Serie 35000	B 16		578468			193,28	M 28		578318	146,98
		B 20		578472			193,28	M 35		578390	178,12
B 26			578474	213,00	M 15 S (PR-2B)		Mini Z8	574738 R	124,51		
B 32			578476	213,00	M 18 S (PR-2B)		Mini Z8	574740 R	124,51		
F 16			578456	168,68	M 22 S (PR-2B)		Mini Z8	574742 R	124,51		
F 20			578460	168,68	M 28 S (PR-2B)		Mini Z8	574744 R	124,51		
F 26			578462	182,48	M 35 S (PR-2B)		Mini Z8	574746 R	136,96		
F 32			578464	182,48	V 15 ¹⁾			578328	146,98		
F 16 S (PR-2B)**		Mini Z8	574728 R	124,51	V 18 ¹⁾		578332	146,98			
F 20 S (PR-2B)**		Mini Z8	574730 R	124,51	V 22 ¹⁾		578334	146,98			
F 26 S (PR-2B)**		Mini Z8	574732 R	124,51	V 28		578336	146,98			
F 32 S (PR-2B)		Mini Z8	574734 R	136,96	V 35		578604	178,12			
H 16			578400	159,75	V 15 S (PR-2B)	Mini Z8	574752 R	124,51			
H 20			578406	159,75	V 18 S (PR-2B)	Mini Z8	574756 R	124,51			
H 26			578410	159,75	V 22 S (PR-2B)	Mini Z8	574758 R	124,51			
H 32			578412	159,75	V 28 S (PR-2B)	Mini Z8	574760 R	124,51			
TH 16			578352 R	177,08	V 35 S (PR-2B)	Mini Z8	574762 R	136,96			
TH 20			578358 R	177,08	SANHA-NiroSan SF Presssystem Serie 19000 (silicone free)	SA 15		578514	176,56		
TH 26			578362 R	177,08		SA 18		578518	176,56		
TH 32			578364	177,08		SA 22		578520	176,56		
TH 16 S (PR-2B)**		Mini Z8	574782 R	124,51		SA 28		578522	176,56		
TH 20 S (PR-2B)**		Mini Z8	574788 R	124,51		M 15 ¹⁾		578312	146,98		
TH 26 S (PR-2B)**		Mini Z8	574794 R	124,51		M 18 ¹⁾		578314	146,98		
TH 32 S (PR-2B)		Mini Z8	574798 R	136,96		M 22 ¹⁾		578316	146,98		
U 16			578374	165,66		M 28		578318	146,98		
U 20			578378	165,66		M 35		578390	178,12		
U 26 ¹⁾			578392	194,31		M 15 S (PR-2B)	Mini Z8	574738 R	124,51		
U 32			578382	194,31		M 18 S (PR-2B)	Mini Z8	574740 R	124,51		
SANHA Heavy Steel Press		VMP ½" G (OD 21,3 mm)		578666 R		204,17	M 22 S (PR-2B)	Mini Z8	574742 R	124,51	
		VMPz ¾" (OD 26,9 mm)		578664		204,17	M 28 S (PR-2B)	Mini Z8	574744 R	124,51	
		SANHA Heavy Steel Press Gas	VMP ½" G (OD 21,3 mm) ¹⁾			578666 R	204,17	M 35 S (PR-2B)	Mini Z8	574746 R	136,96
			VMPz ¾" (OD 26,9 mm)			578664	204,17	V 15 ¹⁾		578328	146,98
		SANHA-NiroSan Gas Presssystem Serie 17000	SA 15		578514	176,56	V 18 ¹⁾		578332	146,98	
	SA 18			578518	176,56	V 22 ¹⁾		578334	146,98		
	SA 22			578520	176,56	V 28		578336	146,98		
	SA 28			578522	176,56	V 35		578604	178,12		
	M 15 ¹⁾			578312	146,98	V 15 S (PR-2B)	Mini Z8	574752 R	124,51		
	M 18 ¹⁾			578314	146,98	V 18 S (PR-2B)	Mini Z8	574756 R	124,51		
	M 22 ¹⁾			578316	146,98	V 22 S (PR-2B)	Mini Z8	574758 R	124,51		
	M 28			578318	146,98	V 28 S (PR-2B)	Mini Z8	574760 R	124,51		
	M 35			578390	178,12	V 35 S (PR-2B)	Mini Z8	574762 R	136,96		
	M 15 S (PR-2B)		Mini Z8	574738 R	124,51	SANHA NiroTherm Serie 91000	SA 15		578514	176,56	
	M 18 S (PR-2B)		Mini Z8	574740 R	124,51		SA 18		578518	176,56	
	M 22 S (PR-2B)		Mini Z8	574742 R	124,51		SA 22		578520	176,56	
	M 28 S (PR-2B)		Mini Z8	574744 R	124,51		SA 28		578522	176,56	
	M 35 S (PR-2B)		Mini Z8	574746 R	136,96		M 15 ¹⁾		578312	146,98	
	V 15 ¹⁾			578328	146,98		M 18 ¹⁾		578314	146,98	
	V 18 ¹⁾			578332	146,98		M 22 ¹⁾		578316	146,98	
	V 22 ¹⁾			578334	146,98		M 28		578318	146,98	
	V 28			578336	146,98		M 35		578390	178,12	
	V 35			578604	178,12		M 15 S (PR-2B)	Mini Z8	574738 R	124,51	
	V 15 S (PR-2B)		Mini Z8	574752 R	124,51		M 18 S (PR-2B)	Mini Z8	574740 R	124,51	
V 18 S (PR-2B)	Mini Z8		574756 R	124,51	M 22 S (PR-2B)		Mini Z8	574742 R	124,51		
V 22 S (PR-2B)	Mini Z8		574758 R	124,51	M 28 S (PR-2B)		Mini Z8	574744 R	124,51		
V 28 S (PR-2B)	Mini Z8		574760 R	124,51	M 35 S (PR-2B)		Mini Z8	574746 R	136,96		
V 35 S (PR-2B)	Mini Z8		574762 R	136,96	V 15 ¹⁾			578328	146,98		
				V 18 ¹⁾		578332	146,98				
				V 22 ¹⁾		578334	146,98				
				V 28		578336	146,98				
				V 35		578604	178,12				
				V 15 S (PR-2B)	Mini Z8	574752 R	124,51				
				V 18 S (PR-2B)	Mini Z8	574756 R	124,51				
				V 22 S (PR-2B)	Mini Z8	574758 R	124,51				
				V 28 S (PR-2B)	Mini Z8	574760 R	124,51				
				V 35 S (PR-2B)	Mini Z8	574762 R	136,96				

System	Pressing tongs Mini/pressing rings	Drive with adapter tongs	Art.-No.	€	System	Pressing tongs Mini/pressing rings	Drive with adapter tongs	Art.-No.	€
SANHA NiroTherm Industry Serie 98000	SA 15		578514	176,56	SANHA-Press Pressfittings Serie 6000	SA 12		578510	256,39
	SA 18		578518	176,56		SA 14		578512	256,39
	SA 22		578520	176,56		SA 15		578514	176,56
	SA 28		578522	176,56		SA 16		578516	176,56
	M 15 ¹⁾		578312	146,98		SA 18		578518	176,56
	M 18 ¹⁾		578314	146,98		SA 22		578520	176,56
	M 22 ¹⁾		578316	146,98		SA 28		578522	176,56
	M 28		578318	146,98		M 12		578310	146,98
	M 35		578390	178,12		M 15 ¹⁾		578312	146,98
	M 15 S (PR-2B)	Mini Z8	574738 R	124,51		M 18 ¹⁾		578314	146,98
	M 18 S (PR-2B)	Mini Z8	574740 R	124,51		M 22 ¹⁾		578316	146,98
	M 22 S (PR-2B)	Mini Z8	574742 R	124,51		M 28		578318	146,98
	M 28 S (PR-2B)	Mini Z8	574744 R	124,51		M 35		578390	178,12
	M 35 S (PR-2B)	Mini Z8	574746 R	136,96		M 12 S (PR-2B)	Mini Z8	574736 R	124,51
	V 15 ¹⁾		578328	146,98		M 15 S (PR-2B)	Mini Z8	574738 R	124,51
	V 18 ¹⁾		578332	146,98		M 18 S (PR-2B)	Mini Z8	574740 R	124,51
	V 22 ¹⁾		578334	146,98		M 22 S (PR-2B)	Mini Z8	574742 R	124,51
	V 28		578336	146,98		M 28 S (PR-2B)	Mini Z8	574744 R	124,51
	V 35		578604	178,12		M 35 S (PR-2B)	Mini Z8	574746 R	136,96
	V 15 S (PR-2B)	Mini Z8	574752 R	124,51		V 12		578324	146,98
	V 18 S (PR-2B)	Mini Z8	574756 R	124,51		V 14		578326	146,98
	V 22 S (PR-2B)	Mini Z8	574758 R	124,51		V 15 ¹⁾		578328	146,98
	V 28 S (PR-2B)	Mini Z8	574760 R	124,51		V 16		578330	146,98
	V 35 S (PR-2B)	Mini Z8	574762 R	136,96		V 18 ¹⁾		578332	146,98
				V 22 ¹⁾		578334	146,98		
				V 28		578336	146,98		
				V 35		578604	178,12		
				V 12 S (PR-2B)	Mini Z8	574748 R	124,51		
				V 14 S (PR-2B)	Mini Z8	574750 R	124,51		
				V 15 S (PR-2B)	Mini Z8	574752 R	124,51		
				V 16 S (PR-2B)	Mini Z8	574754 R	124,51		
				V 18 S (PR-2B)	Mini Z8	574756 R	124,51		
				V 22 S (PR-2B)	Mini Z8	574758 R	124,51		
				V 28 S (PR-2B)	Mini Z8	574760 R	124,51		
				V 35 S (PR-2B)	Mini Z8	574762 R	136,96		
SANHA-Press Chrom Serie 16000	SA 12		578510	256,39					
	SA 15		578514	176,56					
	SA 18		578518	176,56					
	SA 22		578520	176,56					
	SA 28		578522	176,56					
	M 12		578310	146,98					
	M 15 ¹⁾		578312	146,98					
	M 18 ¹⁾		578314	146,98					
	M 22 ¹⁾		578316	146,98					
	M 28		578318	146,98					
	M 12 S (PR-2B)	Mini Z8	574736 R	124,51					
	M 15 S (PR-2B)	Mini Z8	574738 R	124,51					
	M 18 S (PR-2B)	Mini Z8	574740 R	124,51					
	M 22 S (PR-2B)	Mini Z8	574742 R	124,51					
	M 28 S (PR-2B)	Mini Z8	574744 R	124,51					
	V 12		578324	146,98					
	V 15 ¹⁾		578328	146,98					
	V 18 ¹⁾		578332	146,98					
	V 22 ¹⁾		578334	146,98					
	V 28		578336	146,98					
	V 12 S (PR-2B)	Mini Z8	574748 R	124,51					
	V 15 S (PR-2B)	Mini Z8	574752 R	124,51					
	V 18 S (PR-2B)	Mini Z8	574756 R	124,51					
	V 22 S (PR-2B)	Mini Z8	574758 R	124,51					
	V 28 S (PR-2B)	Mini Z8	574760 R	124,51					
	V 35 S (PR-2B)	Mini Z8	574762 R	124,51					
SANHA-Press GAS Pressfittings Serie 10000/ Serie 11000	SA 12		578510	256,39	SANHA-Press	SA 12		578510	256,39
	SA 14		578512	256,39	SOLAR	SA 15		578514	176,56
	SA 15		578514	176,56	Pressfittings	SA 18		578518	176,56
	SA 16		578516	176,56	Serie 12000/	SA 22		578520	176,56
	SA 18		578518	176,56	Serie 13000	SA 28		578522	176,56
	SA 22		578520	176,56		M 12		578310	146,98
	SA 28		578522	176,56		M 15 ¹⁾		578312	146,98
	M 12		578310	146,98		M 18 ¹⁾		578314	146,98
	M 15 ¹⁾		578312	146,98		M 22 ¹⁾		578316	146,98
	M 18 ¹⁾		578314	146,98		M 28		578318	146,98
	M 22 ¹⁾		578316	146,98		M 35		578390	178,12
	M 28		578318	146,98		M 12 S (PR-2B)	Mini Z8	574736 R	124,51
	M 35		578390	178,12		M 15 S (PR-2B)	Mini Z8	574738 R	124,51
	M 12 S (PR-2B)	Mini Z8	574736 R	124,51		M 18 S (PR-2B)	Mini Z8	574740 R	124,51
	M 15 S (PR-2B)	Mini Z8	574738 R	124,51		M 22 S (PR-2B)	Mini Z8	574742 R	124,51
	M 18 S (PR-2B)	Mini Z8	574740 R	124,51		M 28 S (PR-2B)	Mini Z8	574744 R	124,51
	M 22 S (PR-2B)	Mini Z8	574742 R	124,51		M 35 S (PR-2B)	Mini Z8	574746 R	136,96
	M 28 S (PR-2B)	Mini Z8	574744 R	124,51		V 12		578324	146,98
	M 35 S (PR-2B)	Mini Z8	574746 R	136,96		V 14		578326	146,98
	V 12		578324	146,98		VG 14		578338	146,98
	V 14		578326	146,98		V 15 ¹⁾		578328	146,98
	VG 14		578338	146,98		V 16		578330	146,98
	V 15 ¹⁾		578328	146,98		VG 16		578340	146,98
	V 16		578330	146,98		V 18 ¹⁾		578332	146,98
	VG 16		578340	146,98		V 22 ¹⁾		578334	146,98
	V 18 ¹⁾		578332	146,98		V 28		578336	146,98
	V 22 ¹⁾		578334	146,98		V 35		578604	178,12
	V 28		578336	146,98		V 12 S (PR-2B)	Mini Z8	574748 R	124,51
	V 35		578604	178,12		V 15 S (PR-2B)	Mini Z8	574752 R	124,51
	V 12 S (PR-2B)	Mini Z8	574748 R	124,51		V 18 S (PR-2B)	Mini Z8	574756 R	124,51
	VG 14 S (PR-2B)	Mini Z8	574750 R	124,51		V 22 S (PR-2B)	Mini Z8	574758 R	124,51
	V 15 S (PR-2B)	Mini Z8	574752 R	124,51		V 28 S (PR-2B)	Mini Z8	574760 R	124,51
	VG 16 S (PR-2B)	Mini Z8	574754 R	124,51		V 35 S (PR-2B)	Mini Z8	574762 R	136,96
	V 18 S (PR-2B)	Mini Z8	574756 R	124,51					
	V 22 S (PR-2B)	Mini Z8	574758 R	124,51					
	V 28 S (PR-2B)	Mini Z8	574760 R	124,51					
	V 35 S (PR-2B)	Mini Z8	574762 R	136,96					

Pressfitting systems for gas installations may only be pressed with the pressing tongs Mini which are highlighted in yellow in the table.

Observe the national regulations. Read and observe the system provider's/manufacturer's instructions for use and assembly instructions.

** Can also be driven by the ROLLER'S Easy-Press manual radial press using the Z8 adapter tongs, see page 90. Observe the national regulations.

¹⁾ Only pressing tongs from designation "108" (1st quarter of 2008), "208" (2nd quarter of 2008) etc. can be used. The designation is stamped on every pressing jaw.

²⁾ For accommodating suitable pressing inserts.

³⁾ Only pressing tongs from designation "117" (1st quarter of 201), "217" (2nd quarter of 2017) etc. can be used. The designation is stamped on every pressing jaw.

⁴⁾ For pipes with the EN technical standard. Observe the system provider's/manufacturer's instructions for use.

⁵⁾ Only use Mini pressing tongs identified by "VMP ½" G" on the pressing jaws for gas installations.

⁷⁾ Previous designation: Mini C 26 pressing tongs

⁹⁾ For pipes with the ASTM technical standard. Observe the system provider's/manufacturer's instructions for use.

Suitability of the ROLLER'S pressing tools for pressfitting systems: Status 27.10.2023. The current status can be found on the Internet:

www.albert-roller.de → Downloads → Product Catalogues, Brochures → ROLLER Catalogue.

See page 79 for adapter tongs. Pressing tongs/pressing rings for other press fitting systems on request.

System	Pressing tongs Mini/pressing rings	Drive with adapter tongs	Art.-No.	€	System	Pressing tongs Mini/pressing rings	Drive with adapter tongs	Art.-No.	€		
SANHA PURAPRESS Serie 8000	SA 12		578510	256,39	SANITOP	M 15		578312	146,98		
	SA 14		578512	256,39		PERMATUBO INOX	M 18		578314	146,98	
	SA 15		578514	176,56	M 22			578316	146,98		
	SA 16		578516	176,56	M 28			578318	146,98		
	SA 18		578518	176,56	M 35			578390	178,12		
	SA 22		578520	176,56	M 15 S (PR-2B)		Mini Z8	574738 R	124,51		
	SA 28		578522	176,56	M 18 S (PR-2B)		Mini Z8	574740 R	124,51		
	M 12 ¹⁾		578310	146,98	M 22 S (PR-2B)		Mini Z8	574742 R	124,51		
	M 15 ¹⁾		578312	146,98	M 28 S (PR-2B)		Mini Z8	574744 R	124,51		
	M 18 ¹⁾		578314	146,98	M 35 S (PR-2B)		Mini Z8	574746 R	136,96		
	M 22 ¹⁾		578316	146,98	SANPRO		TH 16		578352 R	177,08	
	M 28 ¹⁾		578318	146,98		THPRESS	TH 20		578358 R	177,08	
	M 35 ¹⁾		578390	178,12			TH 26		578362 R	177,08	
	M 12 S (PR-2B)	Mini Z8	574736 R	124,51			TH 32		578364	177,08	
	M 15 S (PR-2B)	Mini Z8	574738 R	124,51			TH 16 S (PR-2B)**	Mini Z8	574782 R	124,51	
	M 18 S (PR-2B)	Mini Z8	574740 R	124,51			TH 20 S (PR-2B)**	Mini Z8	574788 R	124,51	
	M 22 S (PR-2B)	Mini Z8	574742 R	124,51			TH 26 S (PR-2B)**	Mini Z8	574794 R	124,51	
	M 28 S (PR-2B)	Mini Z8	574744 R	124,51			TH 32 S (PR-2B)	Mini Z8	574798 R	136,96	
	M 35 S (PR-2B)	Mini Z8	574746 R	136,96			SATEC SK ViTerm	TH 16		578352 R	177,08
	V 12		578324	146,98				TH 18		578356	177,08
	V 14		578326	146,98	TH 20				578358 R	177,08	
	VG 14		578338	146,98	TH 26			578362 R	177,08		
	V 15 ¹⁾		578328	146,98	TH 32			578364	177,08		
	V 16		578330	146,98	SAVEUR REFLEX PEX Water	TH 16			578352 R	177,08	
	VG 16		578340	146,98		TH 20			578358 R	177,08	
	V 18 ¹⁾		578332	146,98		TH 25			578360	177,08	
	V 22 ¹⁾		578334	146,98		TH 32			578364	177,08	
	V 28		578336	146,98		SAVEUR REFLEX PEX-AL-PEX Gas		TH 16		578352 R	177,08
	V 35		578604	178,12			TH 20		578358 R	177,08	
	V 12 S (PR-2B)	Mini Z8	574748 R	124,51			TH 25		578360	177,08	
	VG 14 S (PR-2B)	Mini Z8	574750 R	124,51			TH 32		578364	177,08	
	V 15 S (PR-2B)	Mini Z8	574752 R	124,51			Schütz duo-flex tri-o-flex	TH 14		578348	177,08
	VG 16 S (PR-2B)	Mini Z8	574754 R	124,51				TH 16		578352 R	177,08
	V 18 S (PR-2B)	Mini Z8	574756 R	124,51	TH 17				578354	177,08	
	V 22 S (PR-2B)	Mini Z8	574758 R	124,51	TH 20				578358 R	177,08	
	V 28 S (PR-2B)	Mini Z8	574760 R	124,51	TH 25				578360	177,08	
	V 35 S (PR-2B)	Mini Z8	574762 R	136,96	TH 16 S (PR-2B)**			Mini Z8	574782 R	124,51	
	SANHA-Therm Serie 24000	SA 12		578510	256,39	TH 20 S (PR-2B)**		Mini Z8	574788 R	124,51	
		SA 15		578514	176,56	Schwer Fittings AQUApress		M 12		578310	146,98
		SA 18		578518	176,56			M 15		578312	146,98
		SA 22		578520	176,56			M 18		578314	146,98
SA 28			578522	176,56	M 22			578316	146,98		
M 12			578310	146,98	M 28			578318	146,98		
M 15 ¹⁾			578312	146,98	M 35			578390	178,12		
M 18 ¹⁾			578314	146,98	M 12 S (PR-2B)		Mini Z8	574736 R	124,51		
M 22 ¹⁾			578316	146,98	M 15 S (PR-2B)		Mini Z8	574738 R	124,51		
M 28			578318	146,98	M 18 S (PR-2B)		Mini Z8	574740 R	124,51		
M 35			578390	178,12	M 22 S (PR-2B)		Mini Z8	574742 R	124,51		
M 12 S (PR-2B)		Mini Z8	574736 R	124,51	M 28 S (PR-2B)	Mini Z8	574744 R	124,51			
M 15 S (PR-2B)		Mini Z8	574738 R	124,51	M 35 S (PR-2B)	Mini Z8	574746 R	136,96			
M 18 S (PR-2B)		Mini Z8	574740 R	124,51	Seppelfricke > Aalberts integrated piping systems	TH 14		578348	177,08		
M 22 S (PR-2B)		Mini Z8	574742 R	124,51		SESTA	TH 16		578352 R	177,08	
M 28 S (PR-2B)		Mini Z8	574744 R	124,51		SESTA GAS	TH 20		578358 R	177,08	
M 35 S (PR-2B)		Mini Z8	574746 R	136,96		TH 26		578362 R	177,08		
V 12			578324	146,98		TH 32		578364	177,08		
V 15 ¹⁾			578328	146,98		SESTA sistema multistrato	H 16		578400	159,75	
V 18 ¹⁾			578332	146,98			H 20		578406	159,75	
V 22 ¹⁾			578334	146,98			TH 14		578348	177,08	
V 28			578336	146,98			TH 16		578352 R	177,08	
V 35			578604	178,12			TH 18		578356	177,08	
V 12 S (PR-2B)		Mini Z8	574748 R	124,51	TH 20			578358 R	177,08		
V 15 S (PR-2B)		Mini Z8	574750 R	124,51	TH 26			578362 R	177,08		
V 18 S (PR-2B)		Mini Z8	574752 R	124,51	TH 32			578364	177,08		
V 22 S (PR-2B)		Mini Z8	574754 R	124,51	TH 40			578624	234,69		
V 28 S (PR-2B)		Mini Z8	574758 R	124,51	U 16			578374	165,66		
V 35 S (PR-2B)		Mini Z8	574762 R	136,96	U 20		578378	165,66			
SANHA-Therm Industry Serie 28000		SA 12		578510	256,39	SIGMA LI Premium	TH 16		578352 R	177,08	
		SA 15		578514	176,56		TH 20		578358 R	177,08	
		SA 18		578518	176,56		TH 25		578360	177,08	
		SA 22		578520	176,56		TH 32		578364	177,08	
		SA 28		578522	176,56		TH 16 S (PR-2B)**	Mini Z8	574782 R	124,51	
		M 12		578310	146,98		TH 20 S (PR-2B)**	Mini Z8	574788 R	124,51	
		M 15 ¹⁾		578312	146,98		TH 25 S (PR-2B)**	Mini Z8	574792 R	124,51	
		M 18 ¹⁾		578314	146,98		TH 32 S (PR-2B)	Mini Z8	574798 R	136,96	
		M 22 ¹⁾		578316	146,98		U 16		578374	165,66	
		M 28		578318	146,98		U 20		578378	165,66	
		M 35		578390	178,12	SLOVARM PEX-THERM	U 32		578382	194,31	
		M 12 S (PR-2B)	Mini Z8	574736 R	124,51		U 16		578374	165,66	
	M 15 S (PR-2B)	Mini Z8	574738 R	124,51	U 20			578378	165,66		
	M 18 S (PR-2B)	Mini Z8	574740 R	124,51	H 26			578410	159,75		
	M 22 S (PR-2B)	Mini Z8	574742 R	124,51	U 32			578382	194,31		
	M 28 S (PR-2B)	Mini Z8	574744 R	124,51	H 16			578400	159,75		
	M 35 S (PR-2B)	Mini Z8	574746 R	136,96	H 20			578406	159,75		
	V 12		578324	146,98	H 26			578410	159,75		
	V 15 ¹⁾		578328	146,98	H 32			578412	159,75		
	V 18 ¹⁾		578332	146,98							
	V 22 ¹⁾		578334	146,98							
	V 28		578336	146,98							
	V 35		578604	178,12							
	V 12 S (PR-2B)	Mini Z8	574748 R	124,51							
	V 15 S (PR-2B)	Mini Z8	574750 R	124,51							
	V 18 S (PR-2B)	Mini Z8	574752 R	124,51							
	V 22 S (PR-2B)	Mini Z8	574754 R	124,51							
	V 28 S (PR-2B)	Mini Z8	574758 R	124,51							
	V 35 S (PR-2B)	Mini Z8	574762 R	136,96							

System	Pressing tongs Mini/pressing rings	Drive with adapter tongs	Art.-No.	€	
STANDARD HIDRAULICA MultiStandard	H 16		578400	159,75	
	H 20		578406	159,75	
	H 25		578408	159,75	
	H 32		578412	159,75	
	RFz 16		578492	184,45	
	RFz 20		578494	184,45	
	RFz 25		578496	184,45	
	RFz 32		578498	184,45	
	TH 16		578352 R	177,08	
	TH 20		578358 R	177,08	
	TH 25		578360	177,08	
	TH 32		578364	177,08	
	TH 16 S (PR-2B)**	Mini Z8	574782 R	124,51	
	TH 20 S (PR-2B)**	Mini Z8	574788 R	124,51	
	TH 25 S (PR-2B)**	Mini Z8	574792 R	124,51	
	TH 32 S (PR-2B)**	Mini Z8	574798 R	136,96	
	U 16		578374	165,66	
	U 18		578376	165,66	
	U 20		578378	165,66	
	U 25		578380	165,66	
	U 32		578382	194,31	
	U 40		578386	236,66	
	steeltrade Presssystem Edelstahl Kontur M	M 15		578312	146,98
M 18 ¹⁾			578314	146,98	
M 22			578316	146,98	
M 28 ¹⁾			578318	146,98	
M 35			578390	178,12	
M 15 S (PR-2B)		Mini Z8	574738 R	124,51	
M 18 S (PR-2B)		Mini Z8	574740 R	124,51	
M 22 S (PR-2B)		Mini Z8	574742 R	124,51	
M 28 S (PR-2B)		Mini Z8	574744 R	124,51	
M 35 S (PR-2B)		Mini Z8	574746 R	136,96	
STELBI Polikraft	H 16		578400	159,75	
	H 20		578406	159,75	
	H 26		578410	159,75	
	TH 16		578352 R	177,08	
	TH 20		578358 R	177,08	
	TH 26		578362 R	177,08	
	TH 32		578364	177,08	
	TH 40		578624	234,69	
	TH 16 S (PR-2B)**	Mini Z8	574782 R	124,51	
	TH 20 S (PR-2B)**	Mini Z8	574788 R	124,51	
	TH 26 S (PR-2B)**	Mini Z8	574794 R	124,51	
	TH 32 S (PR-2B)	Mini Z8	574798 R	136,96	
	U 16		578374	165,66	
	U 20		578378	165,66	
	U 26 ⁷⁾		578392	194,31	
	STELBI Stelgas	TH 16		578352 R	177,08
		TH 20		578358 R	177,08
TH 26			578362 R	177,08	
TH 16 S (PR-2B)**		Mini Z8	574782 R	124,51	
TH 20 S (PR-2B)**		Mini Z8	574788 R	124,51	
TH 26 S (PR-2B)**	Mini Z8	574794 R	124,51		
STH Westco COPPER PRESS	M 15		578312	146,98	
	M 22		578316	146,98	
	M 28		578318	146,98	
	M 35		578390	178,12	
	M 15 S (PR-2B)	Mini Z8	574738 R	124,51	
	M 22 S (PR-2B)	Mini Z8	574742 R	124,51	
	M 28 S (PR-2B)	Mini Z8	574744 R	124,51	
M 35 S (PR-2B)	Mini Z8	574746 R	136,96		
T					
TDM BRASS Serie 1600	H 16		578400	159,75	
	H 18		578404	159,75	
	H 20		578406	159,75	
	H 25		578408	159,75	
	H 26		578410	159,75	
	H 32		578412	159,75	
	TH 16		578352 R	177,08	
	TH 18		578356	177,08	
	TH 20		578358 R	177,08	
	TH 25		578360	177,08	
	TH 26		578362 R	177,08	
	THL 32		578368	177,08	
	TH 40		578624	234,69	
	TH 16 S (PR-2B)**	Mini Z8	574782 R	124,51	
	TH 18 S (PR-2B)**	Mini Z8	574786 R	124,51	
	TH 20 S (PR-2B)**	Mini Z8	574788 R	124,51	
	TH 25 S (PR-2B)**	Mini Z8	574792 R	124,51	
	TH 26 S (PR-2B)**	Mini Z8	574794 R	124,51	
	U 16		578374	165,66	
	U 18		578376	165,66	
	U 20		578378	165,66	
	U 25		578380	165,66	
	U 26 ⁷⁾		578392	194,31	
U 32		578382	194,31		

System	Pressing tongs Mini/pressing rings	Drive with adapter tongs	Art.-No.	€	
TDM BRASS Serie 2600	H 16		578400	159,75	
	H 18		578404	159,75	
	H 20		578406	159,75	
	H 25		578408	159,75	
	H 26		578410	159,75	
	H 32		578412	159,75	
	TH 16		578352 R	177,08	
	TH 18		578356	177,08	
	TH 20		578358 R	177,08	
	TH 25		578360	177,08	
	TH 26		578362 R	177,08	
	THL 32		578368	177,08	
	TH 16 S (PR-2B)**	Mini Z8	574782 R	124,51	
	TH 18 S (PR-2B)**	Mini Z8	574786 R	124,51	
	TH 20 S (PR-2B)**	Mini Z8	574788 R	124,51	
	TH 25 S (PR-2B)**	Mini Z8	574792 R	124,51	
	TH 26 S (PR-2B)**	Mini Z8	574794 R	124,51	
	U 16		578374	165,66	
	U 18		578376	165,66	
	U 20		578378	165,66	
	U 25		578380	165,66	
	U 26 ⁷⁾		578392	194,31	
	U 32		578382	194,31	
TDM BRASS Serie 1700 gas	TH 16		578352 R	177,08	
	TH 20		578358 R	177,08	
	TH 26		578362 R	177,08	
	THL 32		578368	177,08	
	TH 16 S (PR-2B)**	Mini Z8	574782 R	124,51	
	TH 20 S (PR-2B)**	Mini Z8	574788 R	124,51	
	TH 26 S (PR-2B)**	Mini Z8	574794 R	124,51	
	TermoConcept TC-PRESS	Basic E01 ²⁾		578618	305,17
	THERMOLUTZ	H 14		578398	159,75
		H 16		578400	159,75
TH 20			578358 R	177,08	
TH 20 S (PR-2B)**		Mini Z8	574788 R	124,51	
TE-SA TE-SA press serie 800	TH 14		578348	177,08	
	TH 16		578352 R	177,08	
	TH 18		578356	177,08	
	TH 20		578358 R	177,08	
	TH 26		578362 R	177,08	
	TH 32		578364	177,08	
	TH 40		578624	234,69	
	TH 14 S (PR-2B)**	Mini Z8	574778 R	124,51	
	TH 16 S (PR-2B)**	Mini Z8	574782 R	124,51	
	TH 18 S (PR-2B)**	Mini Z8	574786 R	124,51	
TH 20 S (PR-2B)**	Mini Z8	574788 R	124,51		
TH 26 S (PR-2B)**	Mini Z8	574794 R	124,51		
TH 32 S (PR-2B)	Mini Z8	574798 R	136,96		
THERMACOME ACOPEXALU	H 16		578400	159,75	
	H 20		578406	159,75	
	H 26		578410	159,75	
	H 32		578412	159,75	
	TH 16		578352 R	177,08	
	TH 20		578358 R	177,08	
	TH 26		578362 R	177,08	
	TH 32		578364	177,08	
	U 16		578374	165,66	
	U 20		578378	165,66	
U 32		578382	194,31		
TIEMME 1650 AL-COBRAPEX	TH 14		578348	177,08	
	TH 16		578352 R	177,08	
	TH 18		578356	177,08	
	TH 20		578358 R	177,08	
	TH 25		578360	177,08	
	TH 26		578362 R	177,08	
	THL 32		578368	177,08	
	TH 40		578624	234,69	
	TH 14 S (PR-2B)**	Mini Z8	574778 R	124,51	
	TH 16 S (PR-2B)**	Mini Z8	574782 R	124,51	
TH 18 S (PR-2B)**	Mini Z8	574786 R	124,51		
TH 20 S (PR-2B)**	Mini Z8	574788 R	124,51		
TH 25 S (PR-2B)**	Mini Z8	574792 R	124,51		
TH 26 S (PR-2B)**	Mini Z8	574794 R	124,51		
TIEMME 1700 COBRAPEX	RFz 12		578490	184,45	
	RFz 16		578492	184,45	
	RFz 20		578494	184,45	
	RFz 25		578496	184,45	
	RFz 32		578498	184,45	
	TH 40		578624	234,69	

Pressfitting systems for gas installations may only be pressed with the pressing tongs Mini which are highlighted in yellow in the table.

Observe the national regulations. Read and observe the system provider's/manufacturer's instructions for use and assembly instructions.

** Can also be driven by the ROLLER'S Easy-Press manual radial press using the Z8 adapter tongs, see page 90. Observe the national regulations.

¹⁾ Only pressing tongs from designation "108" (1st quarter of 2008), "208" (2nd quarter of 2008) etc. can be used. The designation is stamped on every pressing jaw.

²⁾ For accommodating suitable pressing inserts.

³⁾ Only pressing tongs from designation "117" (1st quarter of 201), "217" (2nd quarter of 2017) etc. can be used. The designation is stamped on every pressing jaw.

⁴⁾ For pipes with the EN technical standard. Observe the system provider's/manufacturer's instructions for use.

⁵⁾ Only use Mini pressing tongs identified by "VMP 1/2" G" on the pressing jaws for gas installations.

⁷⁾ Previous designation: Mini C 26 pressing tongs

⁹⁾ For pipes with the ASTM technical standard. Observe the system provider's/manufacturer's instructions for use.

Suitability of the ROLLER'S pressing tools for pressfitting systems: Status 27.10.2023. The current status can be found on the Internet:

www.albert-roller.de → Downloads → Product Catalogues, Brochures → ROLLER Catalogue.

See page 79 for adapter tongs. Pressing tongs/pressing rings for other press fitting systems on request.

System	Pressing tongs Mini/pressing rings	Drive with adapter tongs	Art.-No.	€
TIEMME	TH 16		578352 R	177,08
1650 AL-COBRAPEX	TH 20		578358 R	177,08
GAS	TH 26		578362 R	177,08
	THL 32		578368	177,08
	TH 16 S (PR-2B)**	Mini Z8	574782 R	124,51
	TH 20 S (PR-2B)**	Mini Z8	574788 R	124,51
	TH 26 S (PR-2B)**	Mini Z8	574794 R	124,51
TIGRE	TH 16		578352 R	177,08
ALPEX GÁS	TH 20		578358 R	177,08
	TH 26		578362 R	177,08
	TH 32		578364	177,08
TKM	TH 14		578348	177,08
Systemtechnik	TH 16		578352 R	177,08
	TH 20		578358 R	177,08
	TH 26		578362 R	177,08
	TH 32		578364	177,08
	TH 40		578624	234,69
TRA Multi TRA+	H 16		578400	159,75
	H 20		578406	159,75
	H 25		578408	159,75
	H 26		578410	159,75
	H 32		578412	159,75
	TH 16		578352 R	177,08
	TH 20		578358 R	177,08
	TH 25		578360	177,08
	TH 26		578362 R	177,08
	TH 32		578364	177,08
	TH 40		578624	234,69
	TH 16 S (PR-2B)**	Mini Z8	574782 R	124,51
	TH 20 S (PR-2B)**	Mini Z8	574788 R	124,51
	TH 25 S (PR-2B)**	Mini Z8	574792 R	124,51
	TH 26 S (PR-2B)**	Mini Z8	574794 R	124,51
	TH 32 S (PR-2B)	Mini Z8	574798 R	136,96
	U 16		578374	165,66
	U 20		578378	165,66
	U 25		578380	165,66
	U 26 ⁷⁾		578392	194,31
	U 32		578382	194,31
	U 40		578386	236,66
TRAMULTITRAPRESS	U 16		578374	165,66
	U 18		578376	165,66
	U 20		578378	165,66
	U 25		578380	165,66
	U 32		578382	194,31
	U 40		578386	236,66
TRA TRAPRESS	H 12		578396	159,75
	H 16		578400	159,75
	H 20		578406	159,75
	H 25		578408	159,75
	H 32		578412	159,75
	RFz 12		578490	184,45
	RFz 16		578492	184,45
	RFz 20		578494	184,45
	RFz 25		578496	184,45
	RFz 32		578498	184,45
Tradelink	K16/P18		578592	184,45
TradePex Crimp	K20		578594	184,45
Water	K25		578596	184,45
	K32		578598	184,45
	K1/40		578600	184,45
Tradelink	K16/P18		578592	184,45
TradePex Crimp	K20		578594	184,45
Gas	K25		578596	184,45
	K32		578598	184,45
	K1/40		578600	184,45
TUBIPLAST ITALY	H 16		578400	159,75
MULTILAYER PIPE	H 18		578404	159,75
	H 20		578406	159,75
	H 26		578410	159,75
	H 32		578412	159,75
	TH 16		578352 R	177,08
	TH 18		578356	177,08
	TH 20		578358 R	177,08
	TH 26		578362 R	177,08
	TH 32		578364	177,08
	TH 40		578624	234,69
	TH 16 S (PR-2B)**	Mini Z8	574782 R	124,51
	TH 18 S (PR-2B)**	Mini Z8	574786 R	124,51
	TH 20 S (PR-2B)**	Mini Z8	574788 R	124,51
	TH 26 S (PR-2B)**	Mini Z8	574794 R	124,51
	TH 32 S (PR-2B)	Mini Z8	574798 R	136,96
	U 16		578374	165,66
	U 18		578376	165,66
	U 20		578378	165,66
	U 26 ⁷⁾		578392	194,31
	U 32		578382	194,31
TUBIPLAST ITALY	TH 16		578352 R	177,08
MULTILAYER PIPE	TH 18		578356	177,08
GAS SYSTEM	TH 20		578358 R	177,08
	TH 26		578362 R	177,08
	TH 32		578364	177,08
	TH 16 S (PR-2B)**	Mini Z8	574782 R	124,51
	TH 18 S (PR-2B)**	Mini Z8	574786 R	124,51
	TH 20 S (PR-2B)**	Mini Z8	574788 R	124,51
	TH 26 S (PR-2B)**	Mini Z8	574794 R	124,51
	TH 32 S (PR-2B)	Mini Z8	574798 R	136,96

System	Pressing tongs Mini/pressing rings	Drive with adapter tongs	Art.-No.	€
TWEETOP	U 16		578374	165,66
	U 20		578378	165,66
	U 25		578380	165,66
	U 32		578382	194,31
	U 40		578386	236,66
U				
UNICALAG	U 16		578374	165,66
MAX-MULTIPEX	U 20		578378	165,66
	H 26		578410	159,75
	U 26 ⁷⁾		578392	194,31
	U 32		578382	194,31
UNIDELTA	TH 16		578352 R	177,08
DELTAPRESS	TH 20		578358 R	177,08
	TH 26		578362 R	177,08
	TH 32		578364	177,08
	TH 40		578624	234,69
	TH 16 S (PR-2B)**	Mini Z8	574782 R	124,51
	TH 20 S (PR-2B)**	Mini Z8	574788 R	124,51
	TH 26 S (PR-2B)**	Mini Z8	574794 R	124,51
	TH 32 S (PR-2B)	Mini Z8	574798 R	136,96
	H 16		578400	159,75
	H 20		578406	159,75
	H 26		578410	159,75
	H 32		578412	159,75
	U 16		578374	165,66
	U 20		578378	165,66
	U 32		578382	194,31
	U 40		578386	236,66
UNIDELTA	TH 16		578352 R	177,08
DELTAPRESS GAS	TH 20		578358 R	177,08
	TH 26		578362 R	177,08
	TH 32		578364	177,08
	TH 16 S (PR-2B)**	Mini Z8	574782 R	124,51
	TH 20 S (PR-2B)**	Mini Z8	574788 R	124,51
	TH 26 S (PR-2B)**	Mini Z8	574794 R	124,51
	TH 32 S (PR-2B)	Mini Z8	574798 R	136,96
	H 16		578400	159,75
	H 20		578406	159,75
	H 26		578410	159,75
	H 32		578412	159,75
	U 16		578374	165,66
	U 20		578378	165,66
	U 32		578382	194,31
Uponor	UP 14		578576	165,66
	UP 16		578578	165,66
	UP 20		578582	165,66
	UP 25		578584	165,66
	UP 32		578586	194,31
	U 40		578386	236,66
V				
Valsir Bravopress	B 16		578468	193,28
	B 20		578472	193,28
	B 26		578474	213,00
	B 32		578476	213,00
	F 16		578456	168,68
	F 20		578460	168,68
	F 26		578462	182,48
	F 16 S (PR-2B)**	Mini Z8	574728 R	124,51
	F 20 S (PR-2B)**	Mini Z8	574730 R	124,51
	F 26 S (PR-2B)**	Mini Z8	574732 R	124,51
	H 16		578400	159,75
	H 20		578406	159,75
	H 26		578410	159,75
	H 32		578412	159,75
	H 32 V		578602	204,17
	TH 16		578352 R	177,08
	TH 20		578358 R	177,08
	TH 26		578362 R	177,08
	TH 32		578364	177,08
	U 16		578374	165,66
	U 20		578378	165,66
	U 26 ⁷⁾		578392	194,31
	U 32		578382	194,31
Valsir PEXAL	H 14		578398	159,75
	H 16		578400	159,75
	H 20		578406	159,75
	H 26		578410	159,75
	H 32		578412	159,75
	H 32 V		578602	204,17
	TH 16		578352 R	177,08
	TH 20		578358 R	177,08
	TH 26		578362 R	177,08
	TH 32		578364	177,08
	U 16		578374	165,66
	U 20		578378	165,66
	U 26 ⁷⁾		578392	194,31
	U 32		578382	194,31

System	Pressing tongs Mini/pressing rings	Drive with adapter tongs	Art.-No.	€
Van Marcke NV SYSTEMPEX	TH 16		578352 R	177,08
	TH 20		578358 R	177,08
	TH 26		578362 R	177,08
	TH 32		578364	177,08
	TH 40		578624	234,69
	TH 16 S (PR-2B)**	Mini Z8	574782 R	124,51
	TH 20 S (PR-2B)**	Mini Z8	574788 R	124,51
	TH 26 S (PR-2B)**	Mini Z8	574794 R	124,51
	TH 32 S (PR-2B)	Mini Z8	574798 R	136,96
	Van Marcke NV Tubipress	M 12		578310
M 15			578312	146,98
M 18			578314	146,98
M 22			578316	146,98
M 28			578318	146,98
M 35			578390	178,12
M 12 S (PR-2B)		Mini Z8	574736 R	124,51
M 15 S (PR-2B)		Mini Z8	574738 R	124,51
M 18 S (PR-2B)		Mini Z8	574740 R	124,51
M 22 S (PR-2B)		Mini Z8	574742 R	124,51
M 28 S (PR-2B)		Mini Z8	574744 R	124,51
M 35 S (PR-2B)		Mini Z8	574746 R	136,96
Variotherm System TH		TH 11,6		578344
	TH 16		578352 R	177,08
	TH 20		578358 R	177,08
	TH 16 S (PR-2B)**	Mini Z8	574782 R	124,51
	TH 20 S (PR-2B)**	Mini Z8	574788 R	124,51
VESBO CARBON	M 15		578312	146,98
	M 18		578314	146,98
	M 22		578316	146,98
	M 28		578318	146,98
	M 35		578390	178,12
	M 15 S (PR-2B)	Mini Z8	574738 R	124,51
	M 18 S (PR-2B)	Mini Z8	574740 R	124,51
	M 22 S (PR-2B)	Mini Z8	574742 R	124,51
	M 28 S (PR-2B)	Mini Z8	574744 R	124,51
	M 35 S (PR-2B)	Mini Z8	574746 R	136,96
VESBO INOX	M 15		578312	146,98
	M 18		578314	146,98
	M 22		578316	146,98
	M 28		578318	146,98
	M 35		578390	178,12
	M 15 S (PR-2B)	Mini Z8	574738 R	124,51
	M 18 S (PR-2B)	Mini Z8	574740 R	124,51
	M 22 S (PR-2B)	Mini Z8	574742 R	124,51
	M 28 S (PR-2B)	Mini Z8	574744 R	124,51
	M 35 S (PR-2B)	Mini Z8	574746 R	136,96
VESBO MULTIPRESS TH-U	TH 16		578352 R	177,08
	TH 20		578358 R	177,08
	TH 26		578362 R	177,08
	TH 32		578364	177,08
	TH 16 S (PR-2B)**	Mini Z8	574782 R	124,51
	TH 20 S (PR-2B)**	Mini Z8	574788 R	124,51
	TH 26 S (PR-2B)**	Mini Z8	574794 R	124,51
	TH 32 S (PR-2B)	Mini Z8	574798 R	136,96
	U 16		578374	165,66
	U 20		578378	165,66
VESBO VPREMIUM	U 26 ⁷⁾		578392	194,31
	U 32		578382	194,31
	U 16		578374	165,66
	U 20		578378	165,66
	U 25		578380	165,66
Viega Fonterra	U 32		578382	194,31
	U 40		578386	236,66
	VX 12		578550	204,17
	VP 14/15		578480	176,56
	VP 16/17		578482	176,56
Viega MegaPress (ASTM) ⁹⁾	VMP ½" G (OD 21,3 mm)		578666 R	204,17
	VMPz ¾" (OD 26,9 mm)		578664	204,17
Viega MegaPress 304 FKM (ASTM) ⁹⁾	VMP ½" G (OD 21,3 mm)		578666 R	204,17
	VMPz ¾" (OD 26,9 mm)		578664	204,17
Viega MegaPress 316 (ASTM) ⁹⁾	VMP ½" G (OD 21,3 mm)		578666 R	204,17
	VMPz ¾" (OD 26,9 mm)		578664	204,17

System	Pressing tongs Mini/pressing rings	Drive with adapter tongs	Art.-No.	€	
Viega MegaPress 316 FKM (ASTM) ⁹⁾	VMP ½" G (OD 21,3 mm)		578666 R	204,17	
	VMPz ¾" (OD 26,9 mm)		578664	204,17	
Viega MegaPress CuNi (ASTM) ⁹⁾	VMP ½" G (OD 21,3 mm)		578666 R	204,17	
	VMPz ¾" (OD 26,9 mm)		578664	204,17	
Viega MegaPress FKM (ASTM) ⁹⁾	VMP ½" G (OD 21,3 mm)		578666 R	204,17	
	VMPz ¾" (OD 26,9 mm)		578664	204,17	
Viega MegaPresG (ASTM) ⁹⁾	VMP ½" G (OD 21,3 mm)		578666 R	204,17	
	VMPz ¾" (OD 26,9 mm)		578664	204,17	
Viega Megapress (EN) ⁶⁾	VMP ¾" (OD 17,2 mm)		578660	204,17	
	VMPz ½" G (OD 21,3 mm)		578666 R	204,17	
Viega MegapressS (EN) ⁶⁾	VMPz ¾" (OD 26,9 mm)		578664	204,17	
	VMP ¾" (OD 17,2 mm)		578660	204,17	
Viega Pexfit	VX 16		578552	204,17	
	VX 20		578554	204,17	
	VX 25		578556	204,17	
Viega Pexfit G	VX 16		578552	204,17	
	VX 20		578554	204,17	
	VX 25		578556	204,17	
Viega Prestabo	V 12		578324	146,98	
	V 15		578328	146,98	
	V 18		578332	146,98	
	V 22		578334	146,98	
	V 28		578336	146,98	
	V 12 S (PR-2B)	Mini Z8	574748 R	124,51	
	V 15 S (PR-2B)	Mini Z8	574752 R	124,51	
	V 18 S (PR-2B)	Mini Z8	574756 R	124,51	
	V 22 S (PR-2B)	Mini Z8	574758 R	124,51	
	V 28 S (PR-2B)	Mini Z8	574760 R	124,51	
	V 12		578324	146,98	
	VG 14		578338	146,98	
	V 15		578328	146,98	
	VG 16		578340	146,98	
Viega Profipress	V 18		578332	146,98	
	V 22		578334	146,98	
	V 28		578336	146,98	
	V 35		578604	178,12	
	V 12 S (PR-2B)	Mini Z8	574748 R	124,51	
	VG 14 S (PR-2B)	Mini Z8	574750 R	124,51	
	V 15 S (PR-2B)	Mini Z8	574752 R	124,51	
	VG 16 S (PR-2B)	Mini Z8	574754 R	124,51	
	V 18 S (PR-2B)	Mini Z8	574756 R	124,51	
	V 22 S (PR-2B)	Mini Z8	574758 R	124,51	
	V 28 S (PR-2B)	Mini Z8	574760 R	124,51	
	V 35 S (PR-2B)	Mini Z8	574762 R	136,96	
	Viega Profipress G	V 12		578324	146,98
		VG 14		578338	146,98
V 15			578328	146,98	
VG 16			578340	146,98	
V 18			578332	146,98	
V 22			578334	146,98	
V 28			578336	146,98	
V 35			578604	178,12	
V 12 S (PR-2B)		Mini Z8	574748 R	124,51	
VG 14 S (PR-2B)		Mini Z8	574750 R	124,51	
V 15 S (PR-2B)		Mini Z8	574752 R	124,51	
VG 16 S (PR-2B)		Mini Z8	574754 R	124,51	
V 18 S (PR-2B)		Mini Z8	574756 R	124,51	
V 22 S (PR-2B)		Mini Z8	574758 R	124,51	
V 28 S (PR-2B)	Mini Z8	574760 R	124,51		
V 35 S (PR-2B)	Mini Z8	574762 R	136,96		
Viega Profipress S	V 12		578324	146,98	
	V 15		578328	146,98	
	V 18		578332	146,98	
	V 22		578334	146,98	
	V 28		578336	146,98	
	V 35		578604	178,12	
	V 12 S (PR-2B)	Mini Z8	574748 R	124,51	
	V 15 S (PR-2B)	Mini Z8	574752 R	124,51	
	V 18 S (PR-2B)	Mini Z8	574756 R	124,51	
	V 22 S (PR-2B)	Mini Z8	574758 R	124,51	
	V 28 S (PR-2B)	Mini Z8	574760 R	124,51	
	V 35 S (PR-2B)	Mini Z8	574762 R	136,96	

Pressfitting systems for gas installations may only be pressed with the pressing tongs Mini which are highlighted in yellow in the table.

Observe the national regulations. Read and observe the system provider's/manufacturer's instructions for use and assembly instructions.

** Can also be driven by the ROLLER'S Easy-Press manual radial press using the Z8 adapter tongs, see page 90. Observe the national regulations.

¹⁾ Only pressing tongs from designation "108" (1st quarter of 2008), "208" (2nd quarter of 2008) etc. can be used. The designation is stamped on every pressing jaw.

²⁾ For accommodating suitable pressing inserts.

³⁾ Only pressing tongs from designation "117" (1st quarter of 201), "217" (2nd quarter of 2017) etc. can be used. The designation is stamped on every pressing jaw.

⁴⁾ For pipes with the EN technical standard. Observe the system provider's/manufacturer's instructions for use.

⁶⁾ Only use Mini pressing tongs identified by "VMP ½" G" on the pressing jaws for gas installations.

⁷⁾ Previous designation: Mini C 26 pressing tongs

⁹⁾ For pipes with the ASTM technical standard. Observe the system provider's/manufacturer's instructions for use.

Suitability of the ROLLER'S pressing tools for pressfitting systems: Status 27.10.2023. The current status can be found on the Internet:

www.albert-roller.de → Downloads → Product Catalogues, Brochures → ROLLER Catalogue.

See page 79 for adapter tongs. Pressing tongs/pressing rings for other press fitting systems on request.

System	Pressing tongs Mini/pressing rings	Drive with adapter tongs	Art.-No.	€
Viega	V 12		578324	146,98
Profipress Therm	V 15		578328	146,98
	V 18		578332	146,98
	V 22		578334	146,98
	V 12 S (PR-2B)	Mini Z8	574748 R	124,51
	V 15 S (PR-2B)	Mini Z8	574752 R	124,51
	V 18 S (PR-2B)	Mini Z8	574756 R	124,51
	V 22 S (PR-2B)	Mini Z8	574758 R	124,51
Viega ProPress (ASTM) ⁹⁾	VUS ½" (OD 15,9 mm)		578566	177,50
	VUS ¾" (OD 22,2 mm)		578568	177,50
	VUS 1" (OD 28,6 mm)		578570	177,50
	VUS 1½" (OD 34,9 mm)		578606	177,50
	VUS ½" S (PR-2B) (OD 15,9 mm)	Mini Z8	574764 R	124,51
	VUS ¾" S (PR-2B) (OD 22,2 mm)	Mini Z8	574766 R	124,51
	VUS 1" S (PR-2B) (OD 28,6 mm)	Mini Z8	574768 R	124,51
	VUS 1½" S (PR-2B) (OD 34,9 mm)	Mini Z8	574770 R	124,51
Viega ProPress 304 FKM (ASTM) ⁹⁾	VUS ½" (OD 15,9 mm)		578566	177,50
	VUS ¾" (OD 22,2 mm)		578568	177,50
	VUS 1" (OD 28,6 mm)		578570	177,50
	VUS 1½" (OD 34,9 mm)		578606	177,50
Viega ProPress 316 (ASTM) ⁹⁾	VUS ½" (OD 15,9 mm)		578566	177,50
	VUS ¾" (OD 22,2 mm)		578568	177,50
	VUS 1" (OD 28,6 mm)		578570	177,50
	VUS 1½" (OD 34,9 mm)		578606	177,50
Viega Propress WATER System AUS	VAU 15 (OD 12,7 mm)		578630	151,86
	VAU 20 (OD 19,1 mm)		578632	151,86
	VAU 25 (OD 25,4 mm)		578634	151,86
	VAU 32 (OD 31,8 mm)		578636	159,75
	VAU 15 S (PR-2B) (OD 12,7 mm)	Mini Z8	574804 R	124,51
	VAU 20 S (PR-2B)** (OD 19,1 mm)	Mini Z8	574806 R	124,51
	VAU 25 S (PR-2B)** (OD 25,4 mm)	Mini Z8	574808 R	136,96
	VAU 32 S (PR-2B) (OD 31,8 mm)	Mini Z8	574856 R	136,96
Viega PropressG GAS System AUS	VAU 15 (OD 12,7 mm)		578630	151,86
	VAU 20 (OD 19,1 mm)		578632	151,86
	VAU 25 (OD 25,4 mm)		578634	151,86
	VAU 32 (OD 31,8 mm)		578636	159,75
Viega Raxinox	VRX 16		578640	186,42
	VRX 20		578642	186,42
Viega Raxofix	VRX 16		578640	186,42
	VRX 20		578642	186,42
	VRX 25		578644	204,17
	VRX 32		578646	204,17
Viega Sanfix	VP 16/17		578482	176,56
	VP 20		578484	176,56
	VP 25		578486	176,56
	VP 32		578488	195,25
Viega Sanfix Fosta	VP 16/17		578482	176,56
	VP 20		578484	176,56
	VP 25		578486	176,56
	VP 32		578488	195,25
Viega Sanpress	V 12		578324	146,98
	V 15		578328	146,98
	V 18		578332	146,98
	V 22		578334	146,98
	V 28		578336	146,98
	V 35		578604	178,12
	V 12 S (PR-2B)	Mini Z8	574748 R	124,51
	V 15 S (PR-2B)	Mini Z8	574752 R	124,51
	V 18 S (PR-2B)	Mini Z8	574756 R	124,51
	V 22 S (PR-2B)	Mini Z8	574758 R	124,51
	V 28 S (PR-2B)	Mini Z8	574760 R	124,51
	V 35 S (PR-2B)	Mini Z8	574762 R	136,96
Viega Sanpress Inox	V 15		578328	146,98
	V 18		578332	146,98
	V 22		578334	146,98
	V 28		578336	146,98
	V 35		578604	178,12
	V 15 S (PR-2B)	Mini Z8	574752 R	124,51
	V 18 S (PR-2B)	Mini Z8	574756 R	124,51
	V 22 S (PR-2B)	Mini Z8	574758 R	124,51
	V 28 S (PR-2B)	Mini Z8	574760 R	124,51
	V 35 S (PR-2B)	Mini Z8	574762 R	136,96
Viega Sanpress Inox G	V 15		578328	146,98
	V 18		578332	146,98
	V 22		578334	146,98
	V 28		578336	146,98
	V 35		578604	178,12
	V 15 S (PR-2B)	Mini Z8	574752 R	124,51
	V 18 S (PR-2B)	Mini Z8	574756 R	124,51
	V 22 S (PR-2B)	Mini Z8	574758 R	124,51
	V 28 S (PR-2B)	Mini Z8	574760 R	124,51
	V 35 S (PR-2B)	Mini Z8	574762 R	136,96
Viega Smartpress	VX 16		578552	204,17
	VX 20		578554	204,17
	VX 25		578556	204,17
Viega Temponox	V 15		578328	146,98
	V 18		578332	146,98
	V 22		578334	146,98
	V 28		578336	146,98
	V 35		578604	178,12
	V 15 S (PR-2B)	Mini Z8	574752 R	124,51
	V 18 S (PR-2B)	Mini Z8	574756 R	124,51
	V 22 S (PR-2B)	Mini Z8	574758 R	124,51
	V 28 S (PR-2B)	Mini Z8	574760 R	124,51
	V 35 S (PR-2B)	Mini Z8	574762 R	136,96

System	Pressing tongs Mini/pressing rings	Drive with adapter tongs	Art.-No.	€
Viessmann	TH 14		578348	177,08
	TH 16		578352 R	177,08
	TH 20		578358 R	177,08
	TH 26		578362 R	177,08
	TH 32		578364	177,08
Vogel & Noot EASYTEC	TH 16		578352 R	177,08
	TH 20		578358 R	177,08
	TH 26		578362 R	177,08
	TH 32		578364	177,08
	TH 40		578364	177,08
	TH 16 S (PR-2B)**	Mini Z8	574782 R	124,51
	TH 20 S (PR-2B)**	Mini Z8	574788 R	124,51
	TH 26 S (PR-2B)**	Mini Z8	574794 R	124,51
	TH 32 S (PR-2B)	Mini Z8	574798 R	136,96
VSH	> Aalberts integrated piping systems			

W

Watts MTR	TH 16		578352 R	177,08
Art press	TH 20		578358 R	177,08
	TH 26		578362 R	177,08
	TH 32		578364	177,08
WATTS	US ¾"		578534	201,16
RADIANT	US ½"		578536	201,16
Watts WaterPEX	US ¾"		578538	201,16
	US 1"		578540	201,16
WATTS	US ¾"		578534	201,16
RADIANT	US ½"		578536	201,16
Watts	US ¾"		578538	201,16
RadiantPEX	US 1"		578540	201,16
WATTS	U 16 (½")		578374	165,66
RADIANT	U 20 (¾")		578378	165,66
Watts	U 25 (¾")		578380	165,66
RadiantPEX-AL	U 32 (1")		578382	194,31
Wavin	B 16		578468	193,28
Tigris KS/M5	B 20		578472	193,28
	B 32		578476	213,00
	H 16		578400	159,75
	H 20		578406	159,75
	H 25		578408	159,75
	H 32		578412	159,75
	TH 16		578352 R	177,08
	TH 20		578358 R	177,08
	TH 25		578360	177,08
	TH 32		578364	177,08
	TH 40		578624	234,69
	TH 16 S (PR-2B)**	Mini Z8	574782 R	124,51
	TH 20 S (PR-2B)**	Mini Z8	574788 R	124,51
	TH 25 S (PR-2B)**	Mini Z8	574792 R	124,51
	TH 32 S (PR-2B)	Mini Z8	574798 R	136,96
	U 16		578374	165,66
	U 20		578378	165,66
	U 25		578380	165,66
	U 32		578382	194,31
	U 40		578386	236,66
	UP 16		578578	165,66
	UP 20		578582	165,66
	UP 25		578584	165,66
	UP 32		578586	194,31
WEECON	M 15		578312	146,98
PRESS-C-Stahl	M 18		578314	146,98
	M 22		578316	146,98
	M 28		578318	146,98
	M 35		578390	178,12
	M 15 S (PR-2B)	Mini Z8	574738 R	124,51
	M 18 S (PR-2B)	Mini Z8	574740 R	124,51
	M 22 S (PR-2B)	Mini Z8	574742 R	124,51
	M 28 S (PR-2B)	Mini Z8	574744 R	124,51
	M 35 S (PR-2B)	Mini Z8	574746 R	136,96
WEECON	M 15		578312	146,98
PRESS-Edelstahl	M 18		578314	146,98
	M 22		578316	146,98
	M 28		578318	146,98
	M 35		578390	178,12
	M 15 S (PR-2B)	Mini Z8	574738 R	124,51
	M 18 S (PR-2B)	Mini Z8	574740 R	124,51
	M 22 S (PR-2B)	Mini Z8	574742 R	124,51
	M 28 S (PR-2B)	Mini Z8	574744 R	124,51
	M 35 S (PR-2B)	Mini Z8	574746 R	136,96
WEECON	V 15		578328	146,98
PRESS-Kupfer	V 18		578332	146,98
	V 22		578334	146,98
	V 28		578336	146,98
	V 35		578604	178,12
	V 15 S (PR-2B)	Mini Z8	574752 R	124,51
	V 18 S (PR-2B)	Mini Z8	574756 R	124,51
	V 22 S (PR-2B)	Mini Z8	574758 R	124,51
	V 28 S (PR-2B)	Mini Z8	574760 R	124,51
	V 35 S (PR-2B)	Mini Z8	574762 R	136,96

System	Pressing tongs Mini/pressing rings	Drive with adapter tongs	Art.-No.	€
WEM	U 16		578374	165,66
WIELAND-WERKE cuprotherm CTX	TH 14		578348	177,08
	TH 16		578352 R	177,08
	TH 14 S (PR-2B)**	Mini Z8	574778 R	124,51
	TH 16 S (PR-2B)**	Mini Z8	574782 R	124,51
WKS-Press	TH 14		578348	177,08
	TH 16		578352 R	177,08
	TH 17		578354	177,08
	TH 20		578358 R	177,08
	TH 26		578362 R	177,08
	TH 32		578364	177,08
	TH 40		578624	234,69
	WÜRTH Würth	TH 16		578352 R
TH 20		578358 R	177,08	
TH 26		578362 R	177,08	
HE 32		578370 R	212,06	

X

XtraConnect	F 16		578456	168,68
	F 20		578460	168,68
	F 26		578462	182,48
	F 32		578464	182,48
	F 16 S (PR-2B)**	Mini Z8	574728 R	124,51
	F 20 S (PR-2B)**	Mini Z8	574730 R	124,51
	F 26 S (PR-2B)**	Mini Z8	574732 R	124,51
	F 32 S (PR-2B)	Mini Z8	574734 R	136,96
	H 16		578400	159,75
	H 20		578406	159,75
	H 26		578410	159,75
	H 32		578412	159,75
	TH 16		578352 R	177,08
	TH 20		578358 R	177,08
	TH 26		578362 R	177,08
	TH 32		578364	177,08
	TH 16 S (PR-2B)**	Mini Z8	574782 R	124,51
	TH 20 S (PR-2B)**	Mini Z8	574788 R	124,51
	TH 26 S (PR-2B)**	Mini Z8	574794 R	124,51
	TH 32 S (PR-2B)	Mini Z8	574798 R	136,96
	U 16		578374	165,66
	U 20		578378	165,66
	(DN 26) U 25		578380	165,66
	U 32		578382	194,31
	VP 16		578482	176,56
	VP 20		578484	176,56
	VP 32		578488	195,25

Y

YX COPPER	Yz 16 UNI	578740	184,45
UNIPEX Water & Gas (AUS)	Yz 20 UNI	578742	184,45
	Yz 25 UNI	578744	184,45
	Yz 32 UNI	578746	184,45

System	Pressing tongs Mini/pressing rings	Drive with adapter tongs	Art.-No.	€
Z				
ZEWOTHERM Zewo Press Premium	TH 12		578346	177,08
	TH 16		578352 R	177,08
	TH 17		578354	177,08
	TH 18		578356	177,08
	TH 20		578358 R	177,08
	TH 26		578362 R	177,08
	TH 32		578364	177,08
	TH 40		578624	234,69
	TH 12 S (PR-2B)**	Mini Z8	574776 R	124,51
	TH 16 S (PR-2B)**	Mini Z8	574782 R	124,51
	TH 17 S (PR-2B)**	Mini Z8	574784 R	124,51
	TH 18 S (PR-2B)**	Mini Z8	574786 R	124,51
	TH 20 S (PR-2B)**	Mini Z8	574788 R	124,51
	TH 26 S (PR-2B)**	Mini Z8	574794 R	124,51
TH 32 S (PR-2B)	Mini Z8	574798 R	136,96	
ZEWOTHERM Zewo Press PPSU	TH 16		578352 R	177,08
	TH 20		578358 R	177,08
	TH 26		578362 R	177,08
	TH 32		578364	177,08
	TH 16 S (PR-2B)**	Mini Z8	574782 R	124,51
	TH 20 S (PR-2B)**	Mini Z8	574788 R	124,51
	TH 26 S (PR-2B)**	Mini Z8	574794 R	124,51
ZURN INDUSTRIES ZURN PEX	US ¾"		578534	201,16
	US ½"		578536	201,16
	US ¾"		578538	201,16
	US 1"		578540	201,16

Pressfitting systems for gas installations may only be pressed with the pressing tongs Mini which are highlighted in yellow in the table.

Observe the national regulations. Read and observe the system provider's/manufacture's instructions for use and assembly instructions.

** Can also be driven by the ROLLER'S Easy-Press manual radial press using the Z8 adapter tongs, see page 90. Observe the national regulations.

¹⁾ Only pressing tongs from designation "108" (1st quarter of 2008), "208" (2nd quarter of 2008) etc. can be used. The designation is stamped on every pressing jaw.

²⁾ For accommodating suitable pressing inserts.

³⁾ Only pressing tongs from designation "117" (1st quarter of 201), "217" (2nd quarter of 2017) etc. can be used. The designation is stamped on every pressing jaw.

⁴⁾ For pipes with the EN technical standard. Observe the system provider's/manufacture's instructions for use.

⁶⁾ Only use Mini pressing tongs identified by "VMP ½" G" on the pressing jaws for gas installations.

⁷⁾ Previous designation: Mini C 26 pressing tongs

⁸⁾ For pipes with the ASTM technical standard. Observe the system provider's/manufacture's instructions for use.

Suitability of the ROLLER'S pressing tools for pressfitting systems: Status 27.10.2023. The current status can be found on the Internet:

www.albert-roller.de → Downloads → Product Catalogues, Brochures → ROLLER Catalogue.

See page 79 for adapter tongs. Pressing tongs/pressing rings for other press fitting systems on request.



Accessories	Art.-No.	€
Adaptor tongs Mini Z8 for driving the ROLLER'S pressing rings S (PR-2B)	574700 R	144,28
Steel case with inlay for 8 pressing tongs Mini / cropping tongs Mini and shelf for pipe cutter up to Ø 42 mm	578295 A	96,53
Steel case with inlay for Mini Z8 adapter tongs and Z8 adapter tongs as well as 6 ROLLER'S pressing rings S (PR-2B)	574516 A	96,53
L-Boxx system case with inlay for 11 pressing tongs Mini / cropping tongs Mini and 6 pressing rings S (PR-2B)	578659 A	146,36
L-Boxx system case with inlay for Mini Z8 adapter tongs and Z8 adapter tongs as well as 14 ROLLER'S pressing rings S (PR-2B)	574704 A	146,36