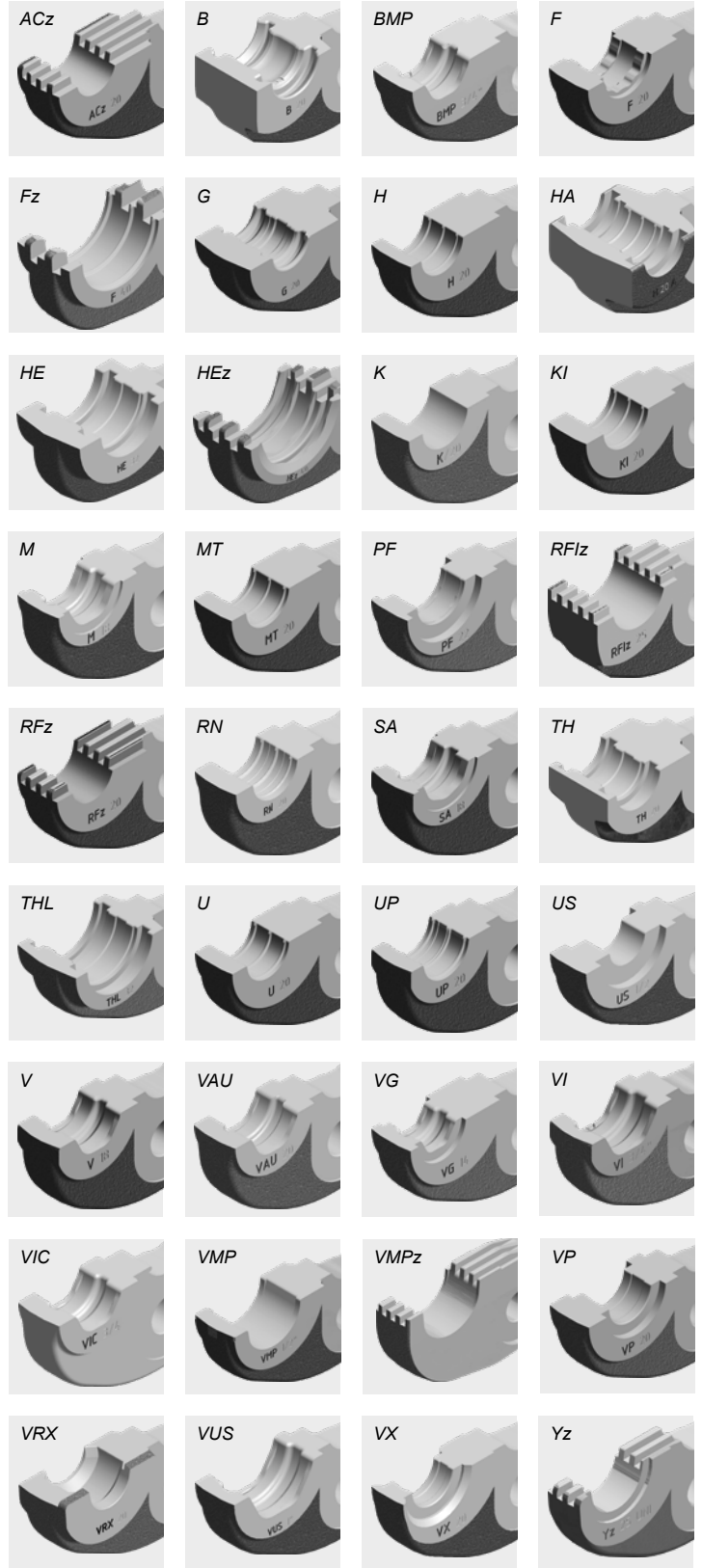


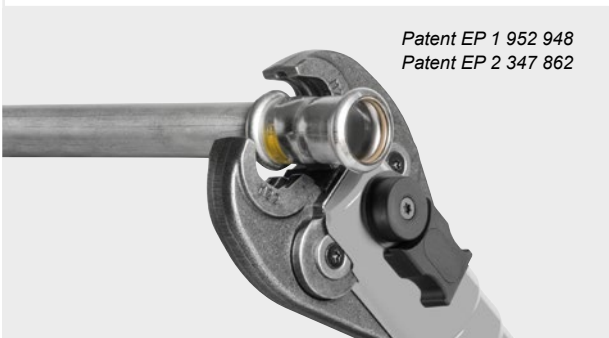
ROLLER'S *pressing tongs Mini* ROLLER'S *pressing rings*



German Top Quality



ROLLER'S Mini pressing tongs (2B)
with 2 tiltable monoblock pressing jaws.



Patent EP 1 952 948
Patent EP 2 347 862

ROLLER'S pressing tongs Mini ACz / Fz / HEz / RFz / RFlz
with teeth prevent burr formation on the pressing segments

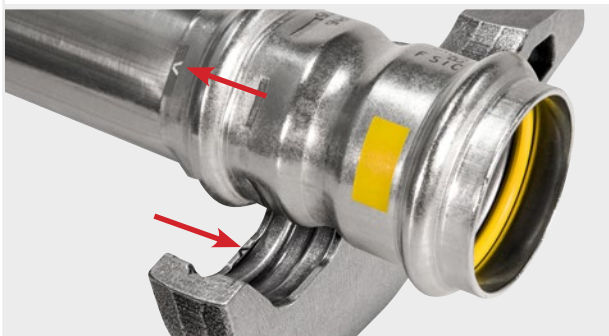


Patent EP 2 027 971

ROLLER'S pressing ring S (PR-2B), continuously swivelable for accurate positioning of the pressing jaws in places with difficult access.



Example: ROLLER'S Mini V pressing tongs: Impression "V"
on pressed fitting for traceability according to EN 1775:2007



Accessory for ROLLER'S 22 kN radial presses:

System-specific pressing tongs Mini / pressing rings for all common press fitting systems.

- Can be driven by all ROLLER'S 22 kN radial presses. Read and follow the instructions for use and assembly instructions of the system provider/ manufacturer.
- **Choose your own pressing tongs Mini / pressing rings!** Just select the desired pressfitting system and pressing tongs size / pressing ring size in the table on pages 60–89. Please note that pressfitting systems for gas installation may only be pressed with the pressing tongs Mini which are highlighted in yellow in the table.
- **ROLLER'S Mini pressing tongs (2B)**
Very compact design and low weight of the ROLLER'S Mini pressing tongs (2B) due to special arrangement of the pressing tongs connection (**Patent EP 1 952 948**).
Recesses in the pressing jaws for safe guidance of the connecting lugs for offset-free pressing (**Patent EP 2 347 862**).
ROLLER'S Mini ACz/Fz/HEz/RFz/RFlz pressing tongs with teeth prevent burr formation on the pressfitting (**Patent EP 2 027 971**).
- **ROLLER'S pressing ring S (PR-2B)**
Pressing ring S (PR-2B), with 2 pressing jaws, continuously swivelable for accurate positioning of the pressing jaws in places with difficult access. Adapter tongs required, see page 89. All pressing rings S (PR-2B) marked with ** can also be driven with the manual radial press ROLLER'S Easy-Press (page 90) using the adapter tong Z8.
- Precisely worked and exactly rounded, system-specific press contour according to the respective pressfitting system for perfectly system-conformant, reliable pressing.
- The pressing tongs / pressing rings are made from tenacious, specially hardened special steel and they are therefore highly resistant. For maximum quality demands and long life.
- Confirmations of suitability see page 52.
- SHK liability acceptance agreements see page 53.

Traceability according to EN 1775:2007.

- ROLLER'S pressing tongs Mini with press contour F, M, V, SA, B, RN and UP have worked a specific marking in the press contour which leaves a lasting impression directly on the pressed fitting after the pressing process. This enables the user to check again whether the most suitable pressing tongs Mini have been used to make the pressfit connection even after the pressing process.
- With this traceability ROLLER fulfils the recommendation of the European standard EN 1775:2007 for the installation of pressfitting systems for gas.

System	Pressing tongs Mini/pressing rings	Drive with adapter tongs	Art.-No.	K€
A				
Aalberts integrated piping systems	U 14		578372	5 040,00
VSH MultiPress	U 16		578374	4 790,00
	U 20		578378	4 790,00
	U 25		578380	4 790,00
	U 32		578382	5 620,00
	U 40		578386	6 840,00
	TH 14		578348	5 120,00
	TH 16		578352 R	5 120,00
	TH 20		578358 R	5 120,00
	TH 25		578360	5 120,00
	TH 32		578364	5 120,00
	TH 40		578624	6 790,00
	TH 14 S (PR-2B)**	Mini Z8	574778 R	3 600,00
	TH 16 S (PR-2B)**	Mini Z8	574782 R	3 600,00
	TH 20 S (PR-2B)**	Mini Z8	574788 R	3 600,00
	TH 25 S (PR-2B)**	Mini Z8	574792 R	3 600,00
	TH 32 S (PR-2B)**	Mini Z8	574798 R	3 960,00
Aalberts integrated piping systems	U 16		578374	4 790,00
VSH MultiPress Gas	U 20		578378	4 790,00
	U 25		578380	4 790,00
	TH 16		578352 R	5 120,00
	TH 20		578358 R	5 120,00
	TH 16 S (PR-2B)**	Mini Z8	574782 R	3 600,00
	TH 20 S (PR-2B)**	Mini Z8	574788 R	3 600,00
Aalberts integrated piping systems	V 12		578324	4 250,00
VSH SudoPress Carbon	V 15		578328	4 250,00
	V 18		578332	4 250,00
	V 22		578334	4 250,00
	V 28		578336	4 250,00
	V 35		578604	5 150,00
	V 12 S (PR-2B)	Mini Z8	574748 R	3 600,00
	V 15 S (PR-2B)	Mini Z8	574752 R	3 600,00
	V 18 S (PR-2B)	Mini Z8	574756 R	3 600,00
	V 22 S (PR-2B)	Mini Z8	574758 R	3 600,00
	V 28 S (PR-2B)	Mini Z8	574760 R	3 600,00
	V 35 S (PR-2B)	Mini Z8	574762 R	3 960,00
Aalberts integrated piping systems	V 12		578324	4 250,00
VSH SudoPress Carbon	V 14		578326	4 250,00
	VG 14		578338	4 250,00
	V 15		578328	4 250,00
	V 16		578330	4 250,00
	VG 16		578340	4 250,00
	V 18		578332	4 250,00
	V 22		578334	4 250,00
	V 28		578336	4 250,00
	V 35		578604	5 150,00
	V 12 S (PR-2B)	Mini Z8	574748 R	3 600,00
	V 14 S (PR-2B)	Mini Z8	574800 R	3 600,00
	VG 14 S (PR-2B)	Mini Z8	574750 R	3 600,00
	V 15 S (PR-2B)	Mini Z8	574752 R	3 600,00
	V 16 S (PR-2B)	Mini Z8	574802 R	3 600,00
	VG 16 S (PR-2B)	Mini Z8	574754 R	3 600,00
	V 18 S (PR-2B)	Mini Z8	574756 R	3 600,00
	V 22 S (PR-2B)	Mini Z8	574758 R	3 600,00
	V 28 S (PR-2B)	Mini Z8	574760 R	3 600,00
	V 35 S (PR-2B)	Mini Z8	574762 R	3 960,00
Aalberts integrated piping systems	V 12		578324	4 250,00
VSH SudoPress Carbon	V 14		578326	4 250,00
Gas	VG 14		578338	4 250,00
	V 15		578328	4 250,00
	V 16		578330	4 250,00
	VG 16		578340	4 250,00
	V 18		578332	4 250,00
	V 22		578334	4 250,00
	V 28		578336	4 250,00
	V 35		578604	5 150,00
	V 12 S (PR-2B)	Mini Z8	574748 R	3 600,00
	V 14 S (PR-2B)	Mini Z8	574800 R	3 600,00
	VG 14 S (PR-2B)	Mini Z8	574750 R	3 600,00
	V 15 S (PR-2B)	Mini Z8	574752 R	3 600,00
	V 16 S (PR-2B)	Mini Z8	574802 R	3 600,00
	VG 16 S (PR-2B)	Mini Z8	574754 R	3 600,00
	V 18 S (PR-2B)	Mini Z8	574756 R	3 600,00
	V 22 S (PR-2B)	Mini Z8	574758 R	3 600,00
	V 28 S (PR-2B)	Mini Z8	574760 R	3 600,00
	V 35 S (PR-2B)	Mini Z8	574762 R	3 960,00
Aalberts integrated piping systems	V 15		578328	4 250,00
VSH SudoPress Stainless	V 18		578332	4 250,00
	V 22		578334	4 250,00
	V 28		578336	4 250,00
	V 35		578604	5 150,00
	V 15 S (PR-2B)	Mini Z8	574752 R	3 600,00
	V 18 S (PR-2B)	Mini Z8	574756 R	3 600,00
	V 22 S (PR-2B)	Mini Z8	574758 R	3 600,00
	V 28 S (PR-2B)	Mini Z8	574760 R	3 600,00
	V 35 S (PR-2B)	Mini Z8	574762 R	3 960,00
Aalberts integrated piping systems	M 12		578310	4 250,00
VSH XPress Carbon	M 15		578312	4 250,00
	M 18 ⁰		578314	4 250,00
	M 22		578316	4 250,00
	M 28 ⁰		578318	4 250,00
	M 35		578390	5 150,00
	M 12 S (PR-2B)	Mini Z8	574736 R	3 600,00
	M 15 S (PR-2B)	Mini Z8	574738 R	3 600,00
	M 18 S (PR-2B)	Mini Z8	574740 R	3 600,00
	M 22 S (PR-2B)	Mini Z8	574742 R	3 600,00
	M 28 S (PR-2B)	Mini Z8	574744 R	3 600,00
	M 35 S (PR-2B)	Mini Z8	574746 R	3 960,00

System	Pressing tongs Mini/pressing rings	Drive with adapter tongs	Art.-No.	K€
Aalberts integrated piping systems	M 12		578310	4 250,00
VSH XPress Copper	M 15		578312	4 250,00
	M 18 ⁰		578314	4 250,00
	M 22		578316	4 250,00
	M 28 ⁰		578318	4 250,00
	M 35		578390	5 150,00
	M 12 S (PR-2B)	Mini Z8	574736 R	3 600,00
	M 15 S (PR-2B)	Mini Z8	574738 R	3 600,00
	M 18 S (PR-2B)	Mini Z8	574740 R	3 600,00
	M 22 S (PR-2B)	Mini Z8	574742 R	3 600,00
	M 28 S (PR-2B)	Mini Z8	574744 R	3 600,00
	M 35 S (PR-2B)	Mini Z8	574746 R	3 960,00
Aalberts integrated piping systems	M 15		578312	4 250,00
VSH XPress Copper Gas	M 18 ⁰		578314	4 250,00
	M 22		578316	4 250,00
	M 28 ⁰		578318	4 250,00
	M 35		578390	5 150,00
	M 15 S (PR-2B)	Mini Z8	574738 R	3 600,00
	M 18 S (PR-2B)	Mini Z8	574740 R	3 600,00
	M 22 S (PR-2B)	Mini Z8	574742 R	3 600,00
	M 28 S (PR-2B)	Mini Z8	574744 R	3 600,00
	M 35 S (PR-2B)	Mini Z8	574746 R	3 960,00
Aalberts integrated piping systems	M 15		578312	4 250,00
VSH XPress Stainless	M 18 ⁰		578314	4 250,00
	M 22		578316	4 250,00
	M 28 ⁰		578318	4 250,00
	M 35		578390	5 150,00
	M 15 S (PR-2B)	Mini Z8	574738 R	3 600,00
	M 18 S (PR-2B)	Mini Z8	574740 R	3 600,00
	M 22 S (PR-2B)	Mini Z8	574742 R	3 600,00
	M 28 S (PR-2B)	Mini Z8	574744 R	3 600,00
	M 35 S (PR-2B)	Mini Z8	574746 R	3 960,00
Aalberts integrated piping systems	M 15		578312	4 250,00
VSH XPress Stainless Gas	M 18 ⁰		578314	4 250,00
	M 22		578316	4 250,00
	M 28 ⁰		578318	4 250,00
	M 35		578390	5 150,00
	M 15 S (PR-2B)	Mini Z8	574738 R	3 600,00
	M 18 S (PR-2B)	Mini Z8	574740 R	3 600,00
	M 22 S (PR-2B)	Mini Z8	574742 R	3 600,00
	M 28 S (PR-2B)	Mini Z8	574744 R	3 600,00
	M 35 S (PR-2B)	Mini Z8	574746 R	3 960,00
AC-FIX PRESS (Global Piping Systems)	H 12		578396	4 620,00
	H 16		578400	4 620,00
	H 20		578406	4 620,00
	H 25		578408	4 620,00
	H 32		578412	4 620,00
	RFz 12		578490	5 340,00
	RFz 16		578492	5 340,00
	RFz 20		578494	5 340,00
	RFz 25		578496	5 340,00
	RFz 32		578498	5 340,00
	U 16		578374	4 790,00
	U 20		578378	4 790,00
	U 25		578380	4 790,00
	U 32		578382	5 620,00
	VX 16		578552	5 910,00
	VX 20		578554	5 910,00
AC-FIX PRESS DUO (Global Piping Systems)	RFz 16		578492	5 340,00
	RFz 20		578494	5 340,00
	RFz 25		578496	5 340,00
	RFz 32		578498	5 340,00
	TH 16		578352 R	5 120,00
	TH 20		578358 R	5 120,00
	TH 25		578360	5 120,00
	TH 26		578362 R	5 120,00
	TH 32		578364	5 120,00
	TH 16 S (PR-2B)**	Mini Z8	574782 R	3 600,00
	TH 20 S (PR-2B)**	Mini Z8	574788 R	3 600,00
	TH 25 S (PR-2B)**	Mini Z8	574792 R	3 600,00
	TH 26 S (PR-2B)**	Mini Z8	574794 R	3 600,00
	TH 32 S (PR-2B)**	Mini Z8	574798 R	3 960,00
	U 16		578374	4 790,00
	U 20		578378	4 790,00
	U 25		578380	4 790,00
	U 32		578382	5 620,00
AC-FIX PRESS-MULTI (Global Piping Systems)	H 16		578400	4 620,00
	H 18		578404	4 620,00
	H 20		578406	4 620,00
	H 25		578408	4 620,00
	H 32		578412	4 620,00
	RFz 16		578492	5 340,00
	RFz 20		578494	5 340,00
	RFz 25		578496	5 340,00
	RFz 32		578498	5 340,00
	U 16		578374	4 790,00
	U 18		578376	4 790,00
	U 20		578378	4 790,00
	U 25		578380	4 790,00
	U 32		578382	5 620,00
ACOME MT	ACz 12		578608	5 340,00
	ACz 16		578610	5 340,00
	ACz 20		578612	5 340,00
	ACz 25		578614	5 340,00

System	Pressing tongs Mini/pressing rings	Drive with adapter tongs	Art.-No.	K€	System	Pressing tongs Mini/pressing rings	Drive with adapter tongs	Art.-No.	K€
AHLSELL	M 12		578310	4 250,00	ALB	TH 16		578352 R	5 120,00
A-press	M 15		578312	4 250,00	Sistema Multicapa	TH 18		578356	5 120,00
elförzinkad M	M 18		578314	4 250,00	para calefacción y sanitario	TH 20		578358 R	5 120,00
	M 22		578316	4 250,00		TH 26		578362 R	5 120,00
	M 28		578318	4 250,00		TH 32		578364	5 120,00
	M 35		578390	5 150,00		TH 40		578624	6 790,00
	M 12 S (PR-2B)	Mini Z8	574736 R	3 600,00		TH 16 S (PR-2B)**	Mini Z8	574782 R	3 600,00
	M 15 S (PR-2B)	Mini Z8	574738 R	3 600,00		TH 18 S (PR-2B)**	Mini Z8	574786 R	3 600,00
	M 18 S (PR-2B)	Mini Z8	574740 R	3 600,00		TH 20 S (PR-2B)**	Mini Z8	574788 R	3 600,00
	M 22 S (PR-2B)	Mini Z8	574742 R	3 600,00		TH 26 S (PR-2B)**	Mini Z8	574794 R	3 600,00
	M 28 S (PR-2B)	Mini Z8	574744 R	3 600,00		TH 32 S (PR-2B)	Mini Z8	574798 R	3 960,00
	M 35 S (PR-2B)	Mini Z8	574746 R	3 960,00		H 16		578400	4 620,00
AHLSELL	V 12		578324	4 250,00		H 18		578404	4 620,00
A-press	V 15		578328	4 250,00		H 20		578406	4 620,00
elförzinkad V	V 18		578332	4 250,00		H 26		578410	4 620,00
	V 22		578334	4 250,00		H 32		578412	4 620,00
	V 28		578336	4 250,00		U 16		578374	4 790,00
	V 35		578604	5 150,00		U 18		578376	4 790,00
	V 12 S (PR-2B)	Mini Z8	574748 R	3 600,00		U 20		578378	4 790,00
	V 15 S (PR-2B)	Mini Z8	574752 R	3 600,00		U 26 ⁷⁾		578392	5 620,00
	V 18 S (PR-2B)	Mini Z8	574756 R	3 600,00		U 32		578382	5 620,00
	V 22 S (PR-2B)	Mini Z8	574758 R	3 600,00		U 40		578386	6 840,00
	V 28 S (PR-2B)	Mini Z8	574760 R	3 600,00	ALB	TH 16		578352 R	5 120,00
	V 35 S (PR-2B)	Mini Z8	574762 R	3 960,00	Sistema Multicapa	TH 20		578358 R	5 120,00
AHLSELL	M 12		578310	4 250,00	para gas	TH 26		578362 R	5 120,00
A-press koppar M	M 15		578312	4 250,00		TH 32		578364	5 120,00
	M 18		578314	4 250,00		TH 16 S (PR-2B)**	Mini Z8	574782 R	3 600,00
	M 22		578316	4 250,00		TH 20 S (PR-2B)**	Mini Z8	574788 R	3 600,00
	M 28		578318	4 250,00		TH 26 S (PR-2B)**	Mini Z8	574794 R	3 600,00
	M 35		578390	5 150,00		TH 32 S (PR-2B)	Mini Z8	574798 R	3 960,00
	M 12 S (PR-2B)	Mini Z8	574736 R	3 600,00		H 16		578400	4 620,00
	M 15 S (PR-2B)	Mini Z8	574738 R	3 600,00		H 20		578406	4 620,00
	M 18 S (PR-2B)	Mini Z8	574740 R	3 600,00		H 26		578410	4 620,00
	M 22 S (PR-2B)	Mini Z8	574742 R	3 600,00		H 32		578412	4 620,00
	M 28 S (PR-2B)	Mini Z8	574744 R	3 600,00		U 16		578374	4 790,00
	M 35 S (PR-2B)	Mini Z8	574746 R	3 960,00		U 20		578378	4 790,00
AHLSELL	V 12		578324	4 250,00		U 26 ⁷⁾		578392	5 620,00
A-press koppar V	V 15		578328	4 250,00		U 32		578382	5 620,00
	V 18		578332	4 250,00	ALTECH Altech	RFz 12		578490	5 340,00
	V 22		578334	4 250,00		RFz 16		578492	5 340,00
	V 28		578336	4 250,00		RFz 20		578494	5 340,00
	V 35		578604	5 150,00		RFz 25		578496	5 340,00
	V 12 S (PR-2B)	Mini Z8	574748 R	3 600,00	APE MULTYGAS	TH 16		578352 R	5 120,00
	V 15 S (PR-2B)	Mini Z8	574752 R	3 600,00	Serie AP Gas	TH 20		578358 R	5 120,00
	V 18 S (PR-2B)	Mini Z8	574756 R	3 600,00		TH 26		578362 R	5 120,00
	V 22 S (PR-2B)	Mini Z8	574758 R	3 600,00		TH 32		578364	5 120,00
	V 28 S (PR-2B)	Mini Z8	574760 R	3 600,00		TH 16 S (PR-2B)**	Mini Z8	574782 R	3 600,00
	V 35 S (PR-2B)	Mini Z8	574762 R	3 960,00		TH 20 S (PR-2B)**	Mini Z8	574788 R	3 600,00
AHLSELL	M 15		578312	4 250,00		TH 26 S (PR-2B)**	Mini Z8	574794 R	3 600,00
A-press rostfritt	M 18		578314	4 250,00		TH 32 S (PR-2B)	Mini Z8	574798 R	3 960,00
	M 22		578316	4 250,00	APE Serie AP	B 16		578468	5 590,00
	M 28		578318	4 250,00		B 20		578472	5 590,00
	M 35		578390	5 150,00		B 26		578474	6 160,00
	M 15 S (PR-2B)	Mini Z8	574738 R	3 600,00		B 32		578476	6 160,00
	M 18 S (PR-2B)	Mini Z8	574740 R	3 600,00		H 16		578400	4 620,00
	M 22 S (PR-2B)	Mini Z8	574742 R	3 600,00		H 20		578406	4 620,00
	M 28 S (PR-2B)	Mini Z8	574744 R	3 600,00		H 26		578410	4 620,00
	M 35 S (PR-2B)	Mini Z8	574746 R	3 960,00		H 32		578412	4 620,00
AIRBEL	M 15		578312	4 250,00		TH 16		578352 R	5 120,00
PRESSCLIM	M 18		578314	4 250,00		TH 18		578356	5 120,00
	M 22		578316	4 250,00		TH 20		578358 R	5 120,00
	M 28		578318	4 250,00		TH 26		578362 R	5 120,00
	M 35		578390	5 150,00		TH 32		578364	5 120,00
	M 15 S (PR-2B)	Mini Z8	574738 R	3 600,00		TH 16 S (PR-2B)**	Mini Z8	574782 R	3 600,00
	M 18 S (PR-2B)	Mini Z8	574740 R	3 600,00		TH 18 S (PR-2B)**	Mini Z8	574786 R	3 600,00
	M 22 S (PR-2B)	Mini Z8	574742 R	3 600,00		TH 20 S (PR-2B)**	Mini Z8	574788 R	3 600,00
	M 28 S (PR-2B)	Mini Z8	574744 R	3 600,00		TH 26 S (PR-2B)**	Mini Z8	574794 R	3 600,00
	M 35 S (PR-2B)	Mini Z8	574746 R	3 960,00		TH 32 S (PR-2B)	Mini Z8	574798 R	3 960,00
AIRBEL	M 15		578312	4 250,00		U 16		578374	4 790,00
SERTINOX	M 18		578314	4 250,00		U 20		578378	4 790,00
	M 22		578316	4 250,00					
	M 28		578318	4 250,00					
	M 35		578390	5 150,00					
	M 15 S (PR-2B)	Mini Z8	574738 R	3 600,00					
	M 18 S (PR-2B)	Mini Z8	574740 R	3 600,00					
	M 22 S (PR-2B)	Mini Z8	574742 R	3 600,00					
	M 28 S (PR-2B)	Mini Z8	574744 R	3 600,00					
	M 35 S (PR-2B)	Mini Z8	574746 R	3 960,00					

Pressfitting systems for gas installations may only be pressed with the pressing tongs Mini which are highlighted in yellow in the table.

Observe the national regulations. Read and observe the system provider's/manufacture's instructions for use and assembly instructions.

** Can also be driven by the ROLLER'S Easy-Press manual radial press using the Z8 adapter tongs, see page 90. Observe the national regulations.

¹⁾ Only pressing tongs from designation "108" (1st quarter of 2008), "208" (2nd quarter of 2008) etc. can be used. The designation is stamped on every pressing jaw.

²⁾ For accommodating suitable pressing inserts.

³⁾ Only pressing tongs from designation "117" (1st quarter of 201), "217" (2nd quarter of 2017) etc. can be used. The designation is stamped on every pressing jaw.

⁴⁾ For pipes with the EN technical standard. Observe the system provider's/manufacture's instructions for use.

⁵⁾ Only use Mini pressing tongs identified by "VMP ½" G" on the pressing jaws for gas installations.

⁷⁾ Previous designation: Mini C 26 pressing tongs

⁹⁾ For pipes with the ASTM technical standard. Observe the system provider's/manufacture's instructions for use.

Suitability of the ROLLER'S pressing tools for pressfitting systems: Status 27.10.2023. The current status can be found on the Internet:

www.albert-roller.de → Downloads → Product Catalogues, Brochures → ROLLER Catalogue.

See page 79 for adapter tongs. Pressing tongs/pressing rings for other press fitting systems on request.

System	Pressing tongs Mini/pressing rings	Drive with adapter tongs	Art.-No.	K€	System	Pressing tongs Mini/pressing rings	Drive with adapter tongs	Art.-No.	K€		
APE Serie APL	H 16		578400	4 620,00	ASSOTHERM	M 15		578312	4 250,00		
	H 18		578404	4 620,00		IPI-RAX	M 18		578314	4 250,00	
	H 20		578406	4 620,00		Inox	M 22		578316	4 250,00	
	H 25		578408	4 620,00			M 28		578318	4 250,00	
	H 26		578410	4 620,00			M 35		578390	5 150,00	
	H 32		578412	4 620,00			M 15 S (PR-2B)	Mini Z8	574738 R	3 600,00	
	TH 16		578352 R	5 120,00			M 18 S (PR-2B)	Mini Z8	574740 R	3 600,00	
	TH 18		578356	5 120,00		M 22 S (PR-2B)	Mini Z8	574742 R	3 600,00		
	TH 20		578358 R	5 120,00		M 28 S (PR-2B)	Mini Z8	574744 R	3 600,00		
	TH 25		578360	5 120,00		M 35 S (PR-2B)	Mini Z8	574746 R	3 960,00		
	TH 26		578362 R	5 120,00		ASSOTHERM	M 15		578312	4 250,00	
	TH 32		578364	5 120,00			IPI-RAX	M 18		578314	4 250,00
	TH 16 S (PR-2B)**	Mini Z8	574782 R	3 600,00			Inox Gas	M 22		578316	4 250,00
	TH 18 S (PR-2B)**	Mini Z8	574786 R	3 600,00				M 28		578318	4 250,00
	TH 20 S (PR-2B)**	Mini Z8	574788 R	3 600,00				M 35		578390	5 150,00
	TH 25 S (PR-2B)**	Mini Z8	574792 R	3 600,00		M 15 S (PR-2B)	Mini Z8	574738 R	3 600,00		
	TH 26 S (PR-2B)**	Mini Z8	574794 R	3 600,00		M 18 S (PR-2B)	Mini Z8	574740 R	3 600,00		
TH 32 S (PR-2B)	Mini Z8	574798 R	3 960,00	M 22 S (PR-2B)	Mini Z8	574742 R	3 600,00				
U 16		578374	4 790,00	M 28 S (PR-2B)	Mini Z8	574744 R	3 600,00				
U 18		578376	4 790,00	M 35 S (PR-2B)	Mini Z8	574746 R	3 960,00				
U 20		578378	4 790,00	ASSOTHERM	H 16		578400	4 620,00			
AQUATECHNIK Press-fitting metal	H 16		578400		4 620,00	IPM-Multistrato	H 20		578406	4 620,00	
	H 20		578406		4 620,00	H 26		578410	4 620,00		
	H 26		578410		4 620,00	H 32		578412	4 620,00		
	H 32		578412		4 620,00	TH 16		578352 R	5 120,00		
	TH 16		578352 R		5 120,00	TH 20		578358 R	5 120,00		
	TH 20		578358 R		5 120,00	TH 26		578362 R	5 120,00		
	TH 26		578362 R		5 120,00	TH 32		578364	5 120,00		
	TH 32		578364		5 120,00	TH 16 S (PR-2B)**	Mini Z8	574782 R	3 600,00		
	TH 16 S (PR-2B)**	Mini Z8	574782 R		3 600,00	TH 20 S (PR-2B)**	Mini Z8	574788 R	3 600,00		
	TH 20 S (PR-2B)**	Mini Z8	574788 R		3 600,00	TH 26 S (PR-2B)**	Mini Z8	574794 R	3 600,00		
	TH 26 S (PR-2B)**	Mini Z8	574794 R	3 600,00	TH 32 S (PR-2B)	Mini Z8	574798 R	3 960,00			
TH 32 S (PR-2B)	Mini Z8	574798 R	3 960,00	U 16		578374	4 790,00				
U 16		578374	4 790,00	U 20		578378	4 790,00				
U 20		578378	4 790,00	U 26 ⁷⁾		578392	5 620,00				
U 26 ⁷⁾		578392	5 620,00	U 32		578382	5 620,00				
U 32		578382	5 620,00	ASSOTHERM	M 15		578312	4 250,00			
AQUATECHNIK Universal	B 16		578468		5 590,00	IPI-RAX	M 18		578314	4 250,00	
	B 20		578472		5 590,00	Copper	M 22		578316	4 250,00	
	B 26		578474		6 160,00		M 28		578318	4 250,00	
	B 32		578476		6 160,00		M 35		578390	5 150,00	
	F 16		578456		4 880,00	M 15 S (PR-2B)	Mini Z8	574738 R	3 600,00		
	F 20		578460		4 880,00	M 18 S (PR-2B)	Mini Z8	574740 R	3 600,00		
	F 26		578462		5 280,00	M 22 S (PR-2B)	Mini Z8	574742 R	3 600,00		
	F 32		578464		5 280,00	M 28 S (PR-2B)	Mini Z8	574744 R	3 600,00		
	F 16 S (PR-2B)**	Mini Z8	574728 R		3 600,00	M 35 S (PR-2B)	Mini Z8	574746 R	3 960,00		
	F 20 S (PR-2B)**	Mini Z8	574730 R		3 600,00	ASSOTHERM	M 15		578312	4 250,00	
	F 26 S (PR-2B)**	Mini Z8	574732 R	3 600,00	IPI-RAX		M 18		578314	4 250,00	
F 32 S (PR-2B)	Mini Z8	574734 R	3 960,00	Copper Gas	M 22			578316	4 250,00		
H 16		578400	4 620,00		M 28			578318	4 250,00		
H 20		578406	4 620,00		M 35			578390	5 150,00		
H 26		578410	4 620,00	M 15 S (PR-2B)	Mini Z8	574738 R	3 600,00				
H 32		578412	4 620,00	M 18 S (PR-2B)	Mini Z8	574740 R	3 600,00				
TH 16		578352 R	5 120,00	M 22 S (PR-2B)	Mini Z8	574742 R	3 600,00				
TH 20		578358 R	5 120,00	M 28 S (PR-2B)	Mini Z8	574744 R	3 600,00				
TH 26		578362 R	5 120,00	M 35 S (PR-2B)	Mini Z8	574746 R	3 960,00				
TH 32		578364	5 120,00	ASSOTHERM	M 15		578312	4 250,00			
TH 16 S (PR-2B)**	Mini Z8	574782 R	3 600,00		IPI-RAX	M 18		578314	4 250,00		
TH 20 S (PR-2B)**	Mini Z8	574788 R	3 600,00		Copper Gas	M 22		578316	4 250,00		
TH 26 S (PR-2B)**	Mini Z8	574794 R	3 600,00			M 28		578318	4 250,00		
TH 32 S (PR-2B)	Mini Z8	574798 R	3 960,00			M 35		578390	5 150,00		
U 16		578374	4 790,00	M 15 S (PR-2B)	Mini Z8	574738 R	3 600,00				
U 20		578378	4 790,00	M 18 S (PR-2B)	Mini Z8	574740 R	3 600,00				
U 26 ⁷⁾		578392	5 620,00	M 22 S (PR-2B)	Mini Z8	574742 R	3 600,00				
U 32		578382	5 620,00	M 28 S (PR-2B)	Mini Z8	574744 R	3 600,00				
ARKA DUROsystem	H 16		578400	4 620,00	M 35 S (PR-2B)	Mini Z8	574746 R	3 960,00			
	H 20		578406	4 620,00	ASTM F 1807 (Fittings with Copper Crimp Ring for PEX tubing)	US 3/4"		578534	5 820,00		
	H 25		578408	4 620,00		US 1/2"		578536	5 820,00		
	H 26		578410	4 620,00		US 3/4"		578538	5 820,00		
	H 32		578412	4 620,00		US 1"		578540	5 820,00		
	TH 16		578352 R	5 120,00		ATUSA ITALIA	M 15		578312	4 250,00	
	TH 20		578358 R	5 120,00	INSTALPRESS		M 18		578314	4 250,00	
	TH 25		578360	5 120,00	CARBON STEEL		M 22		578316	4 250,00	
	TH 26		578362 R	5 120,00	PRESS FITTINGS		M 28		578318	4 250,00	
	TH 32		578364	5 120,00	M 35			578390	5 150,00		
	TH 16 S (PR-2B)**	Mini Z8	574782 R	3 600,00	M 15 S (PR-2B)	Mini Z8	574738 R	3 600,00			
TH 20 S (PR-2B)**	Mini Z8	574788 R	3 600,00	M 18 S (PR-2B)	Mini Z8	574740 R	3 600,00				
TH 25 S (PR-2B)**	Mini Z8	574792 R	3 600,00	M 22 S (PR-2B)	Mini Z8	574742 R	3 600,00				
TH 26 S (PR-2B)**	Mini Z8	574794 R	3 600,00	M 28 S (PR-2B)	Mini Z8	574744 R	3 600,00				
TH 32 S (PR-2B)	Mini Z8	574798 R	3 960,00	M 35 S (PR-2B)	Mini Z8	574746 R	3 960,00				
U 16		578374	4 790,00	ATUSA ITALIA	M 15		578312	4 250,00			
U 20		578378	4 790,00		INSTALPRESS	M 18		578314	4 250,00		
U 26 ⁷⁾		578392	5 620,00		STAINLESS STEEL	M 22		578316	4 250,00		
U 32		578382	5 620,00		PRESS FITTINGS	M 28		578318	4 250,00		
Aschl NIR	M 15		578312		4 250,00	M 35		578390	5 150,00		
	M 18		578314	4 250,00	M 15 S (PR-2B)	Mini Z8	574738 R	3 600,00			
	M 22		578316	4 250,00	M 18 S (PR-2B)	Mini Z8	574740 R	3 600,00			
	M 28		578318	4 250,00	M 22 S (PR-2B)	Mini Z8	574742 R	3 600,00			
	M 35		578390	5 150,00	M 28 S (PR-2B)	Mini Z8	574744 R	3 600,00			
	M 15 S (PR-2B)	Mini Z8	574738 R	3 600,00	M 35 S (PR-2B)	Mini Z8	574746 R	3 960,00			
	M 18 S (PR-2B)	Mini Z8	574740 R	3 600,00	AUSTEC	TH 16		578352 R	5 120,00		
	M 22 S (PR-2B)	Mini Z8	574742 R	3 600,00		PEX-B, PEX-AL-PEX (AUS)	TH 20		578358 R	5 120,00	
	M 28 S (PR-2B)	Mini Z8	574744 R	3 600,00		TH 25		578360	5 120,00		
	M 35 S (PR-2B)	Mini Z8	574746 R	3 960,00		TH 32		578364	5 120,00		
	ASSOTHERM IPC-RAC Carbon Steel	M 15		578312		4 250,00	U 16		578374	4 790,00	
M 18			578314	4 250,00	U 20		578378	4 790,00			
M 22			578316	4 250,00	U 25		578380	4 790,00			
M 28			578318	4 250,00	U 32		578382	5 620,00			
M 35			578390	5 150,00	AUSTEC	TH 16		578352 R	5 120,00		
M 15 S (PR-2B)		Mini Z8	574738 R	3 600,00		PEX-AL-PEX GAS (AUS)	TH 20		578358 R	5 120,00	
M 18 S (PR-2B)		Mini Z8	574740 R	3 600,00		TH 25		578360	5 120,00		
M 22 S (PR-2B)		Mini Z8	574742 R	3 600,00		TH 32		578364	5 120,00		
M 28 S (PR-2B)		Mini Z8	574744 R	3 600,00		U 16		578374	4 790,00		
M 35 S (PR-2B)		Mini Z8	574746 R	3 960,00	U 20		578378	4 790,00			
ASSOTHERM IPC-RAX Inox		M 15		578312	4 250,00	U 25		578380	4 790,00		
	M 18		578314	4 250,00	U 32		578382	5 620,00			
	M 22		578316	4 250,00	ASSOTHERM	M 15		578312	4 250,00		
	M 28		578318	4 250,00		IPI-RAX	M 18		578314	4 250,00	
	M 35		578390	5 150,00		Inox Gas	M 22		578316	4 250,00	
	M 15 S (PR-2B)	Mini Z8	574738 R	3 600,00			M 28		578318	4 250,00	
	M 18 S (PR-2B)	Mini Z8	574740 R	3 600,00			M 35		578390	5 150,00	
	M 22 S (PR-2B)	Mini Z8	574742 R	3 600,00	M 15 S (PR-2B)	Mini Z8	574738 R	3 600,00			
	M 28 S (PR-2B)	Mini Z8	574744 R	3 600,00	M 18 S (PR-2B)	Mini Z8	574740 R	3 600,00			
	M 35 S (PR-2B)	Mini Z8	574746 R	3 960,00	M 22 S (PR-2B)	Mini Z8	574742 R	3 600,00			
	ASSOTHERM IPM-Multistrato	H 16		578400	4 620,00	M 28 S (PR-2B)	Mini Z8	574744 R	3 600,00		
H 20			578406	4 620,00	M 35 S (PR-2B)	Mini Z8	574746 R	3 960,00			
H 26			578410	4 620,00	ASSOTHERM	M 15		578312	4 250,00		
H 32			578412	4 620,00		IPI-RAX	M 18		578314	4 250,00	
TH 16			578352 R	5 120,00		Copper	M 22		578316	4 250,00	
TH 20			578358 R	5 120,00			M 28		578318	4 250,00	
TH 26			578362 R								

System	Pressing tongs Mini/pressing rings	Drive with adapter tongs	Art.-No.	K€	System	Pressing tongs Mini/pressing rings	Drive with adapter tongs	Art.-No.	K€
AYOR	H 12		578396	4 620,00	Bampi BALPEX	TH 16		578352 R	5 120,00
FIXOCONNECT	H 16		578400	4 620,00	Gas	TH 20		578358 R	5 120,00
Press	H 20		578406	4 620,00		TH 26		578362 R	5 120,00
	H 25		578408	4 620,00		TH 16 S (PR-2B)**	Mini Z8	574782 R	3 600,00
	RFz 12		578490	5 340,00		TH 20 S (PR-2B)**	Mini Z8	574788 R	3 600,00
	RFz 16		578492	5 340,00		TH 26 S (PR-2B)**	Mini Z8	574794 R	3 600,00
	RFz 20		578494	5 340,00	BARBI EASYPRESS	H 12		578396	4 620,00
	RFz 25		578496	5 340,00	(Industrial Blansol)	H 16		578400	4 620,00
	U 16		578374	4 790,00		H 20		578406	4 620,00
	U 20		578378	4 790,00		H 25		578408	4 620,00
	U 25		578380	4 790,00		H 32		578412	4 620,00
AYOR	H 16		578400	4 620,00		RFz 12		578490	5 340,00
FIXOMULTIX	H 20		578406	4 620,00		RFz 16		578492	5 340,00
	H 26		578410	4 620,00		RFz 20		578494	5 340,00
	H 32		578412	4 620,00		RFz 25		578496	5 340,00
	TH 16		578352 R	5 120,00		RFz 32		578498	5 340,00
	TH 20		578358 R	5 120,00		U 16		578374	4 790,00
	TH 26		578362 R	5 120,00		U 20		578378	4 790,00
	TH 32		578364	5 120,00		U 25		578380	4 790,00
	TH 16 S (PR-2B)**	Mini Z8	574782 R	3 600,00		U 32		578382	5 620,00
	TH 20 S (PR-2B)**	Mini Z8	574788 R	3 600,00	BARBI MULTIPLEX	H 14		578398	4 620,00
	TH 26 S (PR-2B)**	Mini Z8	574794 R	3 600,00	(Industrial Blansol)	H 16		578400	4 620,00
	TH 32 S (PR-2B)	Mini Z8	574798 R	3 960,00		H 18		578404	4 620,00
	U 16		578374	4 790,00		H 20		578406	4 620,00
	U 20		578378	4 790,00		H 25		578408	4 620,00
	U 32		578382	5 620,00		H 26		578410	4 620,00
	U 40		578386	6 840,00		H 32		578412	4 620,00
AYOR	H 16		578400	4 620,00		RFz 16		578492	5 340,00
SOMATHERM	H 20		578406	4 620,00		RFz 18		578638	5 340,00
FOR YOU -1	H 26		578410	4 620,00		RFz 20		578494	5 340,00
	TH 16		578352 R	5 120,00		RFz 25		578496	5 340,00
	TH 20		578358 R	5 120,00		RFz 32		578498	5 340,00
	TH 26		578362 R	5 120,00		TH 16		578352 R	5 120,00
	TH 16 S (PR-2B)**	Mini Z8	574782 R	3 600,00		TH 20		578358 R	5 120,00
	TH 20 S (PR-2B)**	Mini Z8	574788 R	3 600,00		TH 26		578362 R	5 120,00
	TH 26 S (PR-2B)**	Mini Z8	574794 R	3 600,00		TH 32		578364	5 120,00
	U 16		578374	4 790,00		TH 16 S (PR-2B)**	Mini Z8	574782 R	3 600,00
	U 20		578378	4 790,00		TH 20 S (PR-2B)**	Mini Z8	574788 R	3 600,00
AYOR	H 12		578396	4 620,00		TH 26 S (PR-2B)**	Mini Z8	574794 R	3 600,00
SOMATHERM	H 16		578400	4 620,00		TH 32 S (PR-2B)	Mini Z8	574798 R	3 960,00
FOR YOU -2	H 20		578406	4 620,00		U 16		578374	4 790,00
	H 25		578408	4 620,00		U 18		578376	4 790,00
	RFz 12		578490	5 340,00		U 20		578378	4 790,00
	RFz 16		578492	5 340,00		U 25		578380	4 790,00
	RFz 20		578494	5 340,00		U 32		578382	5 620,00
	RFz 25		578496	5 340,00		U 40		578386	6 840,00
	U 16		578374	4 790,00	BEGETUBE/	B 14		578466	5 590,00
	U 20		578378	4 790,00	IVAR	B 16		578468	5 590,00
	U 25		578380	4 790,00		B 18		578470	5 590,00
						B 20		578472	5 590,00
						B 26		578474	6 160,00
						B 32		578476	6 160,00
					Béné inox	M 15		578312	4 250,00
					Série 41	M 18		578314	4 250,00
						M 22		578316	4 250,00
						M 28		578318	4 250,00
						M 35		578390	5 150,00
						M 15 S (PR-2B)	Mini Z8	574738 R	3 600,00
						M 18 S (PR-2B)	Mini Z8	574740 R	3 600,00
						M 22 S (PR-2B)	Mini Z8	574742 R	3 600,00
						M 28 S (PR-2B)	Mini Z8	574744 R	3 600,00
						M 35 S (PR-2B)	Mini Z8	574746 R	3 960,00
					Brass Form	H 16		578400	4 620,00
					Master-Al-Pex	H 18		578404	4 620,00
						H 20		578406	4 620,00
						TH 16		578352 R	5 120,00
						TH 18		578356	5 120,00
						TH 20		578358 R	5 120,00
						TH 26		578362 R	5 120,00
						TH 32		578364	5 120,00
						TH 16 S (PR-2B)**	Mini Z8	574782 R	3 600,00
						TH 18 S (PR-2B)**	Mini Z8	574786 R	3 600,00
						TH 20 S (PR-2B)**	Mini Z8	574788 R	3 600,00
						TH 26 S (PR-2B)**	Mini Z8	574794 R	3 600,00
						TH 32 S (PR-2B)	Mini Z8	574798 R	3 960,00
						U 16		578374	4 790,00
						U 18		578376	4 790,00
						U 20		578378	4 790,00

B

Pressfitting systems for gas installations may only be pressed with the pressing tongs Mini which are highlighted in yellow in the table.

Observe the national regulations. Read and observe the system provider's/manufacturer's instructions for use and assembly instructions.

** Can also be driven by the ROLLER'S Easy-Press manual radial press using the Z8 adapter tongs, see page 90. Observe the national regulations.

¹⁾ Only pressing tongs from designation "108" (1st quarter of 2008), "208" (2nd quarter of 2008) etc. can be used. The designation is stamped on every pressing jaw.

²⁾ For accommodating suitable pressing inserts.

³⁾ Only pressing tongs from designation "117" (1st quarter of 201), "217" (2nd quarter of 2017) etc. can be used. The designation is stamped on every pressing jaw.

⁴⁾ For pipes with the EN technical standard. Observe the system provider's/manufacturer's instructions for use.

⁵⁾ Only use Mini pressing tongs identified by "VMP ½" G" on the pressing jaws for gas installations.

⁷⁾ Previous designation: Mini C 26 pressing tongs

⁹⁾ For pipes with the ASTM technical standard. Observe the system provider's/manufacturer's instructions for use.

Suitability of the ROLLER'S pressing tools for pressfitting systems: Status 27.10.2023. The current status can be found on the Internet:

www.albert-roller.de → Downloads → Product Catalogues, Brochures → ROLLER Catalogue.

See page 79 for adapter tongs. Pressing tongs/pressing rings for other press fitting systems on request.

System	Pressing tongs Mini/pressing rings	Drive with adapter tongs	Art.-No.	K€
Brass & Fittings	RFz 16		578492	5 340,00
PRESSMAN	RFz 18		578638	5 340,00
MultiPress	ACz 20		578612	5 340,00
	RFz 25		578496	5 340,00
	RFz 32		578498	5 340,00
Brass & Fittings	RFz 16		578492	5 340,00
PRESSMAN RetiPress	RFz 18		578638	5 340,00
	ACz 20		578612	5 340,00
	RFz 25		578496	5 340,00
	RFz 32		578498	5 340,00
BRASSTECH	B 16		578468	5 590,00
MULTIthermoSAN	B 20		578472	5 590,00
Brasspress	B 26		578474	6 160,00
	B 32		578476	6 160,00
	F 16		578456	4 880,00
	F 20		578460	4 880,00
	F 26		578462	5 280,00
	F 16 S (PR-2B)**	Mini Z8	574728 R	3 600,00
	F 20 S (PR-2B)**	Mini Z8	574730 R	3 600,00
	F 26 S (PR-2B)**	Mini Z8	574732 R	3 600,00
	H 16		578400	4 620,00
	H 18		578404	4 620,00
	H 20		578406	4 620,00
	H 26		578410	4 620,00
	TH 16		578352 R	5 120,00
	TH 18		578356	5 120,00
	TH 20		578358 R	5 120,00
	TH 26		578362 R	5 120,00
	TH 32		578364	5 120,00
	TH 40		578624	6 790,00
	TH 16 S (PR-2B)**	Mini Z8	574782 R	3 600,00
	TH 18 S (PR-2B)**	Mini Z8	574786 R	3 600,00
	TH 20 S (PR-2B)**	Mini Z8	574788 R	3 600,00
	TH 26 S (PR-2B)**	Mini Z8	574794 R	3 600,00
	TH 32 S (PR-2B)	Mini Z8	574798 R	3 960,00
	U 16		578374	4 790,00
	U 18		578376	4 790,00
	U 20		578378	4 790,00
	U 26 ⁷⁾		578392	5 620,00
	U 32		578382	5 620,00

C

Cello Products	VUS ½" (OD 15,9 mm)		578566	5 140,00
Press	VUS ¾" (OD 22,2 mm)		578568	5 140,00
	VUS 1" (OD 28,6 mm)		578570	5 140,00
	VUS 1¼" (OD 34,9 mm)		578606	5 140,00
CGR	H 16		578400	4 620,00
DYNAFLU	H 20		578406	4 620,00
multicouche	H 26		578410	4 620,00
	H 32		578412	4 620,00
	TH 16		578352 R	5 120,00
	TH 20		578358 R	5 120,00
	TH 26		578362 R	5 120,00
	TH 32		578364	5 120,00
	TH 40		578624	6 790,00
	TH 16 S (PR-2B)**	Mini Z8	574782 R	3 600,00
	TH 20 S (PR-2B)**	Mini Z8	574788 R	3 600,00
	TH 26 S (PR-2B)**	Mini Z8	574794 R	3 600,00
	TH 32 S (PR-2B)	Mini Z8	574798 R	3 960,00
	U 16		578374	4 790,00
	U 20		578378	4 790,00
	U 26 ⁷⁾		578392	5 620,00
	U 32		578382	5 620,00
	U 40		578386	6 840,00
CGR	H 12		578396	4 620,00
DYNAFLU	H 16		578400	4 620,00
PER	H 20		578406	4 620,00
	H 25		578408	4 620,00
	RFz 12		578490	5 340,00
	RFz 16		578492	5 340,00
	RFz 20		578494	5 340,00
	RFz 25		578496	5 340,00
CHIALI	TH 16		578352 R	5 120,00
CHIALIPEX	TH 20		578358 R	5 120,00
	TH 26		578362 R	5 120,00
	TH 32		578364	5 120,00
	TH 40		578624	6 790,00
Climatrix	H 16		578400	4 620,00
Climatrix Rhinopex	H 20		578406	4 620,00
	U 16		578374	4 790,00
	U 20		578378	4 790,00
	TH 14		578348	5 120,00
	TH 16		578352 R	5 120,00
	TH 18		578356	5 120,00
	TH 20		578358 R	5 120,00
	TH 26		578362 R	5 120,00
	TH 32		578364	5 120,00
	TH 16 S (PR-2B)**	Mini Z8	574782 R	3 600,00
	TH 20 S (PR-2B)**	Mini Z8	574788 R	3 600,00
	TH 26 S (PR-2B)**	Mini Z8	574794 R	3 600,00
	TH 32 S (PR-2B)	Mini Z8	574798 R	3 960,00

System	Pressing tongs Mini/pressing rings	Drive with adapter tongs	Art.-No.	K€
Climatrix	TH 11,6		578344	5 120,00
Variotherm	TH 16		578352 R	5 120,00
System TH	TH 16 S (PR-2B)**	Mini Z8	574782 R	3 600,00
ClouSet	TH 16		578352 R	5 120,00
	TH 18		578356	5 120,00
	TH 20		578358 R	5 120,00
	TH 16 S (PR-2B)**	Mini Z8	574782 R	3 600,00
	TH 18 S (PR-2B)**	Mini Z8	574786 R	3 600,00
	TH 20 S (PR-2B)**	Mini Z8	574788 R	3 600,00
Comap	RFz 12		578490	5 340,00
PEX Press	RFz 16		578492	5 340,00
	RFz 20		578494	5 340,00
	RFz 25		578496	5 340,00
Comap	TH 14		578348	5 120,00
Multiskin	TH 16		578352 R	5 120,00
	TH 18		578356	5 120,00
	TH 20		578358 R	5 120,00
	TH 26		578362 R	5 120,00
	TH 32		578364	5 120,00
	THL 32		578368	5 120,00
	TH 40		578624	6 790,00
	TH 16 S (PR-2B)**	Mini Z8	574782 R	3 600,00
	TH 20 S (PR-2B)**	Mini Z8	574788 R	3 600,00
	TH 26 S (PR-2B)**	Mini Z8	574794 R	3 600,00
	TH 32 S (PR-2B)	Mini Z8	574798 R	3 960,00
	U 14		578372	5 040,00
	U 16		578374	4 790,00
	U 18		578376	4 790,00
	U 20		578378	4 790,00
	U 32		578382	5 620,00
	H 14		578398	4 620,00
	H 16		578400	4 620,00
	H 18		578404	4 620,00
	H 20		578406	4 620,00
	H 26		578410	4 620,00
	H 32		578412	4 620,00
Comap	TH 16		578352 R	5 120,00
Multiskin Gas	TH 20		578358 R	5 120,00
	TH 26		578362 R	5 120,00
	TH 32		578364	5 120,00
	THL 32		578368	5 120,00
	TH 16 S (PR-2B)**	Mini Z8	574782 R	3 600,00
	TH 20 S (PR-2B)**	Mini Z8	574788 R	3 600,00
	TH 26 S (PR-2B)**	Mini Z8	574794 R	3 600,00
	TH 32 S (PR-2B)	Mini Z8	574798 R	3 960,00
	U 16		578374	4 790,00
	U 20		578378	4 790,00
	U 32		578382	5 620,00
	H 16		578400	4 620,00
	H 20		578406	4 620,00
	H 26		578410	4 620,00
	H 32		578412	4 620,00
COMISA	TH 14		578348	5 120,00
Press System	TH 16		578352 R	5 120,00
	TH 18		578356	5 120,00
	TH 20		578358 R	5 120,00
	TH 25		578360	5 120,00
	TH 26		578362 R	5 120,00
	TH 32		578364	5 120,00
	TH 40		578624	6 790,00
	TH 14 S (PR-2B)**	Mini Z8	574778 R	3 600,00
	TH 16 S (PR-2B)**	Mini Z8	574782 R	3 600,00
	TH 18 S (PR-2B)**	Mini Z8	574786 R	3 600,00
	TH 20 S (PR-2B)**	Mini Z8	574788 R	3 600,00
	TH 25 S (PR-2B)**	Mini Z8	574792 R	3 600,00
	TH 26 S (PR-2B)**	Mini Z8	574794 R	3 600,00
	TH 32 S (PR-2B)	Mini Z8	574798 R	3 960,00
	H 14		578398	4 620,00
	H 16		578400	4 620,00
	H 18		578404	4 620,00
	H 20		578406	4 620,00
	H 26		578410	4 620,00
	H 32		578412	4 620,00
	B 14		578466	5 590,00
	B 16		578468	5 590,00
	B 18		578470	5 590,00
	B 20		578472	5 590,00
	B 26		578474	6 160,00
	B 32		578476	6 160,00
COMISA	TH 16		578352 R	5 120,00
Press System Gas	TH 20		578358 R	5 120,00
	TH 26		578362 R	5 120,00
	TH 32		578364	5 120,00
	TH 16 S (PR-2B)**	Mini Z8	574782 R	3 600,00
	TH 20 S (PR-2B)**	Mini Z8	574788 R	3 600,00
	TH 26 S (PR-2B)**	Mini Z8	574794 R	3 600,00
	TH 32 S (PR-2B)	Mini Z8	574798 R	3 960,00

System	Pressing tongs Mini/pressing rings	Drive with adapter tongs	Art.-No.	K€	System	Pressing tongs Mini/pressing rings	Drive with adapter tongs	Art.-No.	K€
CONEL	M 15		578312	4 250,00	Conex Bänninger	F 16		578456	4 880,00
CONNECT INOX	M 18		578314	4 250,00	>B< Flex	F 18		578458	4 880,00
	M 22		578316	4 250,00		F 20		578460	4 880,00
	V 15		578328	4 250,00		F 32		578464	5 280,00
	V 18		578332	4 250,00		F 16 S (PR-2B)**	Mini Z8	574728 R	3 600,00
	V 22		578334	4 250,00		F 20 S (PR-2B)**	Mini Z8	574730 R	3 600,00
CONEL	F 16		578456	4 880,00		F 32 S (PR-2B)	Mini Z8	574734 R	3 960,00
CONNECT	F 20		578460	4 880,00		H 16		578400	4 620,00
MULTI	F 26		578462	5 280,00		H 18		578404	4 620,00
	F 32		578464	5 280,00		H 20		578406	4 620,00
	F 16 S (PR-2B)**	Mini Z8	574728 R	3 600,00		H 25		578408	4 620,00
	F 20 S (PR-2B)**	Mini Z8	574730 R	3 600,00		H 32		578412	4 620,00
	F 26 S (PR-2B)**	Mini Z8	574732 R	3 600,00		RFz 16		578492	5 340,00
	F 32 S (PR-2B)**	Mini Z8	574734 R	3 960,00		RFz 18		578638	5 340,00
	H 16		578400	4 620,00		RFz 20		578494	5 340,00
	H 20		578406	4 620,00		RFz 25		578496	5 340,00
	H 26		578410	4 620,00		RFz 32		578498	5 340,00
	H 32		578412	4 620,00		TH 16		578352 R	5 120,00
	TH 16		578352 R	5 120,00		TH 18		578356	5 120,00
	TH 20		578358 R	5 120,00		TH 20		578358 R	5 120,00
	TH 26		578362 R	5 120,00		TH 25		578360	5 120,00
	TH 32		578364	5 120,00		TH 32		578364	5 120,00
	TH 16 S (PR-2B)**	Mini Z8	574782 R	3 600,00		TH 16 S (PR-2B)**	Mini Z8	574782 R	3 600,00
	TH 20 S (PR-2B)**	Mini Z8	574788 R	3 600,00		TH 18 S (PR-2B)**	Mini Z8	574786 R	3 600,00
	TH 26 S (PR-2B)**	Mini Z8	574794 R	3 600,00		TH 20 S (PR-2B)**	Mini Z8	574788 R	3 600,00
	TH 32 S (PR-2B)**	Mini Z8	574798 R	3 960,00		TH 32 S (PR-2B)	Mini Z8	574798 R	3 960,00
	U 16		578374	4 790,00		U 16		578374	4 790,00
	U 20		578378	4 790,00		U 18		578376	4 790,00
(DN 26)	U 25		578380	4 790,00		U 20		578378	4 790,00
	U 32		578382	5 620,00		U 25		578380	4 790,00
	VP 16		578482	5 110,00		U 32		578382	5 620,00
	VP 20		578484	5 110,00		Conex Bänninger	F 16	578456	4 880,00
	VP 32		578488	5 650,00	>B< Flex Gas	F 18	578458	4 880,00	
CONEL	F 16		578456	4 880,00		F 20		578460	4 880,00
CONNECT	F 20		578460	4 880,00		F 32		578464	5 280,00
MV2	F 26		578462	5 280,00		F 16 S (PR-2B)**	Mini Z8	574728 R	3 600,00
	F 32		578464	5 280,00		F 20 S (PR-2B)**	Mini Z8	574730 R	3 600,00
	F 16 S (PR-2B)**	Mini Z8	574728 R	3 600,00		F 32 S (PR-2B)	Mini Z8	574734 R	3 960,00
	F 20 S (PR-2B)**	Mini Z8	574730 R	3 600,00		H 16		578400	4 620,00
	F 26 S (PR-2B)**	Mini Z8	574732 R	3 600,00		H 18		578404	4 620,00
	F 32 S (PR-2B)**	Mini Z8	574734 R	3 960,00		H 20		578406	4 620,00
	TH 16		578352 R	5 120,00		H 25		578408	4 620,00
	TH 20		578358 R	5 120,00		H 32		578412	4 620,00
	TH 26		578362 R	5 120,00		RFz 16		578492	5 340,00
	TH 32		578364	5 120,00		RFz 18		578638	5 340,00
	TH 16 S (PR-2B)**	Mini Z8	574782 R	3 600,00		RFz 20		578494	5 340,00
	TH 20 S (PR-2B)**	Mini Z8	574788 R	3 600,00		RFz 25		578496	5 340,00
	TH 26 S (PR-2B)**	Mini Z8	574794 R	3 600,00		RFz 32		578498	5 340,00
	TH 32 S (PR-2B)**	Mini Z8	574798 R	3 960,00		TH 16		578352 R	5 120,00
Conex Bänninger	M 15		578312	4 250,00		TH 18		578356	5 120,00
<A> Press Inox	M 18		578314	4 250,00		TH 20		578358 R	5 120,00
(304)	M 22		578316	4 250,00		TH 25		578360	5 120,00
	M 28		578318	4 250,00		TH 32		578364	5 120,00
	M 35		578390	5 150,00		TH 16 S (PR-2B)**	Mini Z8	574782 R	3 600,00
	M 15 S (PR-2B)	Mini Z8	574738 R	3 600,00		TH 18 S (PR-2B)**	Mini Z8	574786 R	3 600,00
	M 18 S (PR-2B)	Mini Z8	574740 R	3 600,00		TH 20 S (PR-2B)**	Mini Z8	574788 R	3 600,00
	M 22 S (PR-2B)	Mini Z8	574742 R	3 600,00		TH 32 S (PR-2B)	Mini Z8	574798 R	3 960,00
	M 28 S (PR-2B)	Mini Z8	574744 R	3 600,00		U 16		578374	4 790,00
	M 35 S (PR-2B)	Mini Z8	574746 R	3 960,00		U 18		578376	4 790,00
Conex Bänninger	M 15		578312	4 250,00		U 20		578378	4 790,00
<A> Press Inox	M 18		578314	4 250,00		U 25		578380	4 790,00
(316L)	M 22		578316	4 250,00		U 32		578382	5 620,00
	M 28		578318	4 250,00	Conex Bänninger	BMP ¼"		578700	5 080,00
	M 35		578390	5 150,00	>B< MaxiPro	BMP ⅜"		578702	5 080,00
	M 15 S (PR-2B)	Mini Z8	574738 R	3 600,00		BMP ½"		578704	5 080,00
	M 18 S (PR-2B)	Mini Z8	574740 R	3 600,00		BMP ⅝"		578706	5 080,00
	M 22 S (PR-2B)	Mini Z8	574742 R	3 600,00		BMP ¾"		578708	5 080,00
	M 28 S (PR-2B)	Mini Z8	574744 R	3 600,00		BMP 1"		578710	5 080,00
	M 35 S (PR-2B)	Mini Z8	574746 R	3 960,00		BMP 1 ¼"		578712	5 080,00
								578714	5 080,00

Pressfitting systems for gas installations may only be pressed with the pressing tongs Mini which are highlighted in yellow in the table.

Observe the national regulations. Read and observe the system provider's/manufacturer's instructions for use and assembly instructions.

** Can also be driven by the ROLLER'S Easy-Press manual radial press using the Z8 adapter tongs, see page 90. Observe the national regulations.

1) Only pressing tongs from designation "108" (1st quarter of 2008), "208" (2nd quarter of 2008) etc. can be used. The designation is stamped on every pressing jaw.

2) For accommodating suitable pressing inserts.

3) Only pressing tongs from designation "117" (1st quarter of 201), "217" (2nd quarter of 2017) etc. can be used. The designation is stamped on every pressing jaw.

4) For pipes with the EN technical standard. Observe the system provider's/manufacturer's instructions for use.

6) Only use Mini pressing tongs identified by "VMP ½" G" on the pressing jaws for gas installations.

7) Previous designation: Mini C 26 pressing tongs

9) For pipes with the ASTM technical standard. Observe the system provider's/manufacturer's instructions for use.

Suitability of the ROLLER'S pressing tools for pressfitting systems: Status 27.10.2023. The current status can be found on the Internet:

www.albert-roller.de → Downloads → Product Catalogues, Brochures → ROLLER Catalogue.

See page 79 for adapter tongs. Pressing tongs/pressing rings for other press fitting systems on request.

System	Pressing tongs Mini/pressing rings	Drive with adapter tongs	Art.-No.	K€	
Conex Bänninger >B< Press	V 12		578324	4 250,00	
	V 14		578326	4 250,00	
	V 15		578328	4 250,00	
	V 16		578330	4 250,00	
	V 18		578332	4 250,00	
	V 22		578334	4 250,00	
	V 28		578336	4 250,00	
	V 35		578604	5 150,00	
	V 12 S (PR-2B)	Mini Z8	574748 R	3 600,00	
	V 14 S (PR-2B)	Mini Z8	574800 R	3 600,00	
	V 15 S (PR-2B)	Mini Z8	574752 R	3 600,00	
	V 16 S (PR-2B)	Mini Z8	574802 R	3 600,00	
	V 18 S (PR-2B)	Mini Z8	574756 R	3 600,00	
	V 22 S (PR-2B)	Mini Z8	574758 R	3 600,00	
	V 28 S (PR-2B)	Mini Z8	574760 R	3 600,00	
	V 35 S (PR-2B)	Mini Z8	574762 R	3 960,00	
	M 15		578312	4 250,00	
	M 22		578316	4 250,00	
	M 28		578318	4 250,00	
	Conex Bänninger >B< Press Carbon	V 15		578328	4 250,00
V 18			578332	4 250,00	
V 22			578334	4 250,00	
V 28			578336	4 250,00	
V 35			578604	5 150,00	
V 15 S (PR-2B)		Mini Z8	574752 R	3 600,00	
V 18 S (PR-2B)		Mini Z8	574756 R	3 600,00	
V 22 S (PR-2B)		Mini Z8	574758 R	3 600,00	
V 28 S (PR-2B)		Mini Z8	574760 R	3 600,00	
V 35 S (PR-2B)		Mini Z8	574762 R	3 960,00	
Conex Bänninger >B< Press Gas		V 12		578324	4 250,00
		V 14		578326	4 250,00
		V 15		578328	4 250,00
	V 16		578330	4 250,00	
	V 18		578332	4 250,00	
	V 22		578334	4 250,00	
	V 28		578336	4 250,00	
	V 35		578604	5 150,00	
	V 12 S (PR-2B)	Mini Z8	574748 R	3 600,00	
	V 14 S (PR-2B)	Mini Z8	574800 R	3 600,00	
	V 15 S (PR-2B)	Mini Z8	574752 R	3 600,00	
	V 16 S (PR-2B)	Mini Z8	574802 R	3 600,00	
	V 18 S (PR-2B)	Mini Z8	574756 R	3 600,00	
V 22 S (PR-2B)	Mini Z8	574758 R	3 600,00		
V 28 S (PR-2B)	Mini Z8	574760 R	3 600,00		
V 35 S (PR-2B)	Mini Z8	574762 R	3 960,00		
Conex Bänninger >B< Press Inox	V 15		578328	4 250,00	
	V 18		578332	4 250,00	
	V 22		578334	4 250,00	
	V 28		578336	4 250,00	
	V 35		578604	5 150,00	
	V 15 S (PR-2B)	Mini Z8	574752 R	3 600,00	
	V 18 S (PR-2B)	Mini Z8	574756 R	3 600,00	
	V 22 S (PR-2B)	Mini Z8	574758 R	3 600,00	
	V 28 S (PR-2B)	Mini Z8	574760 R	3 600,00	
	V 35 S (PR-2B)	Mini Z8	574762 R	3 960,00	
	Conex Bänninger >B< Press Solar	V 12		578324	4 250,00
		V 14		578326	4 250,00
		V 15		578328	4 250,00
V 16			578330	4 250,00	
V 18			578332	4 250,00	
V 22			578334	4 250,00	
V 28			578336	4 250,00	
V 35			578604	5 150,00	
V 12 S (PR-2B)		Mini Z8	574748 R	3 600,00	
V 14 S (PR-2B)		Mini Z8	574800 R	3 600,00	
V 15 S (PR-2B)		Mini Z8	574752 R	3 600,00	
V 16 S (PR-2B)		Mini Z8	574802 R	3 600,00	
V 18 S (PR-2B)		Mini Z8	574756 R	3 600,00	
V 22 S (PR-2B)	Mini Z8	574758 R	3 600,00		
V 28 S (PR-2B)	Mini Z8	574760 R	3 600,00		
V 35 S (PR-2B)	Mini Z8	574762 R	3 960,00		

D

Debrunner Acifer d-a Presssystem C-Stahl	M 12		578310	4 250,00
	M 15		578312	4 250,00
	M 18		578314	4 250,00
	M 22		578316	4 250,00
	M 28		578318	4 250,00
	M 35		578390	5 150,00
	M 12 S (PR-2B)	Mini Z8	574736 R	3 600,00
	M 15 S (PR-2B)	Mini Z8	574738 R	3 600,00
	M 18 S (PR-2B)	Mini Z8	574740 R	3 600,00
	M 22 S (PR-2B)	Mini Z8	574742 R	3 600,00
	M 28 S (PR-2B)	Mini Z8	574744 R	3 600,00
	M 35 S (PR-2B)	Mini Z8	574746 R	3 960,00
	DUOPIPE SYSTEMS	U 16		578374
DUOFIL MKSYSTEM	U 18		578376	4 790,00
	U 20		578378	4 790,00
DW Verbundrohr multitubo systems	U 25		578380	4 790,00
	U 32		578382	5 620,00
	U 16		578374	4 790,00
	U 18		578376	4 790,00
	U 20		578378	4 790,00
U 25		578380	4 790,00	
U 32		578382	5 620,00	

System	Pressing tongs Mini/pressing rings	Drive with adapter tongs	Art.-No.	K€
E				
EBRILLE Isomoflex	U 16		578374	4 790,00
	U 20		578378	4 790,00
	U 25		578380	4 790,00
	U 32		578382	5 620,00
	H 26		578410	4 620,00
	TH 26		578362 R	5 120,00
	TH 26 S (PR-2B)**	Mini Z8	574794 R	3 600,00
EBRILLE Monflex	U 16		578374	4 790,00
	U 20		578378	4 790,00
	U 25		578380	4 790,00
	U 32		578382	5 620,00
	H 26		578410	4 620,00
	TH 26		578362 R	5 120,00
	TH 26 S (PR-2B)**	Mini Z8	574794 R	3 600,00
EFFEBI	M 15		578312	4 250,00
	M 18		578314	4 250,00
	Aisi316		578316	4 250,00
	System M Profile ¹⁾		578318	4 250,00
	M 35		578390	5 150,00
	M 15 S (PR-2B)	Mini Z8	574738 R	3 600,00
	M 18 S (PR-2B)	Mini Z8	574740 R	3 600,00
	M 22 S (PR-2B)	Mini Z8	574742 R	3 600,00
	M 28 S (PR-2B)	Mini Z8	574744 R	3 600,00
	M 35 S (PR-2B)	Mini Z8	574746 R	3 960,00
EFFEBI EFFEBI-PRESS	V 12		578324	4 250,00
	V 15		578328	4 250,00
	Aisi316		578332	4 250,00
	System V Profile		578334	4 250,00
	V 28		578336	4 250,00
	V 35		578604	5 150,00
	V 12 S (PR-2B)	Mini Z8	574748 R	3 600,00
	V 15 S (PR-2B)	Mini Z8	574752 R	3 600,00
	V 18 S (PR-2B)	Mini Z8	574756 R	3 600,00
	V 22 S (PR-2B)	Mini Z8	574758 R	3 600,00
EFFEBI EFFEBI-PRESS Carbon-S	V 28 S (PR-2B)	Mini Z8	574760 R	3 600,00
	V 35 S (PR-2B)	Mini Z8	574762 R	3 960,00
	M 12		578310	4 250,00
	M 15		578312	4 250,00
	M 18		578314	4 250,00
	System M Profile ¹⁾		578316	4 250,00
	M 28		578318	4 250,00
	M 35		578390	5 150,00
	M 12 S (PR-2B)	Mini Z8	574736 R	3 600,00
	M 15 S (PR-2B)	Mini Z8	574738 R	3 600,00
System V Profile	M 18 S (PR-2B)	Mini Z8	574740 R	3 600,00
	M 22 S (PR-2B)	Mini Z8	574742 R	3 600,00
	M 28 S (PR-2B)	Mini Z8	574744 R	3 600,00
	M 35 S (PR-2B)	Mini Z8	574746 R	3 960,00
	V 12		578324	4 250,00
	V 15		578328	4 250,00
	V 18		578332	4 250,00
	System V Profile		578334	4 250,00
	V 28		578336	4 250,00
	V 35		578604	5 150,00
EFFEBI EFFEBI-PRESS Carbon-S	V 12 S (PR-2B)	Mini Z8	574748 R	3 600,00
	V 15 S (PR-2B)	Mini Z8	574752 R	3 600,00
	V 18 S (PR-2B)	Mini Z8	574756 R	3 600,00
	V 22 S (PR-2B)	Mini Z8	574758 R	3 600,00
	V 28 S (PR-2B)	Mini Z8	574760 R	3 600,00
	V 35 S (PR-2B)	Mini Z8	574762 R	3 960,00
	V 12		578324	4 250,00
	V 14		578326	4 250,00
	V 15		578328	4 250,00
	V 16		578330	4 250,00
COPPER	V 18		578332	4 250,00
	V 22		578334	4 250,00
	V 28		578336	4 250,00
	V 35		578604	5 150,00
	V 12 S (PR-2B)	Mini Z8	574748 R	3 600,00
	V 14 S (PR-2B)	Mini Z8	574800 R	3 600,00
	V 15 S (PR-2B)	Mini Z8	574752 R	3 600,00
	V 16 S (PR-2B)	Mini Z8	574802 R	3 600,00
	V 18 S (PR-2B)	Mini Z8	574756 R	3 600,00
	V 22 S (PR-2B)	Mini Z8	574758 R	3 600,00
EFFEBI EFFEBI-PRESS UNICO	V 28 S (PR-2B)	Mini Z8	574760 R	3 600,00
	V 35 S (PR-2B)	Mini Z8	574762 R	3 960,00
	V 12		578324	4 250,00
	V 15		578328	4 250,00
	V 18		578332	4 250,00
	V 22		578334	4 250,00
	V 28		578336	4 250,00
	V 35		578604	5 150,00
	V 12 S (PR-2B)	Mini Z8	574748 R	3 600,00
	V 15 S (PR-2B)	Mini Z8	574752 R	3 600,00
UNICO	V 18 S (PR-2B)	Mini Z8	574756 R	3 600,00
	V 22 S (PR-2B)	Mini Z8	574758 R	3 600,00
	V 28 S (PR-2B)	Mini Z8	574760 R	3 600,00
	V 35 S (PR-2B)	Mini Z8	574762 R	3 960,00

System	Pressing tongs Mini/pressing rings	Drive with adapter tongs	Art.-No.	K€	System	Pressing tongs Mini/pressing rings	Drive with adapter tongs	Art.-No.	K€
EFFEBI	V 12		578324	4 250,00	EFFEBI	TH 16		578352 R	5 120,00
EFFEBI-PRESS	V 15		578328	4 250,00	TOF	TH 18		578356	5 120,00
UNICO	V 18		578332	4 250,00	MULTIPINZA	TH 20		578358 R	5 120,00
(GAS)	V 22		578334	4 250,00		TH 25		578360	5 120,00
	V 28		578336	4 250,00		TH 26		578362 R	5 120,00
	V 35		578604	5 150,00		TH 32		578364	5 120,00
	V 12 S (PR-2B)	Mini Z8	574748 R	3 600,00		TH 40		578624	6 790,00
	V 15 S (PR-2B)	Mini Z8	574752 R	3 600,00		TH 16 S (PR-2B)**	Mini Z8	574782 R	3 600,00
	V 18 S (PR-2B)	Mini Z8	574756 R	3 600,00		TH 18 S (PR-2B)**	Mini Z8	574786 R	3 600,00
	V 22 S (PR-2B)	Mini Z8	574758 R	3 600,00		TH 20 S (PR-2B)**	Mini Z8	574788 R	3 600,00
	V 28 S (PR-2B)	Mini Z8	574760 R	3 600,00		TH 25 S (PR-2B)**	Mini Z8	574792 R	3 600,00
	V 35 S (PR-2B)	Mini Z8	574762 R	3 960,00		TH 26 S (PR-2B)**	Mini Z8	574794 R	3 600,00
EFFEBI	M 15		578312	4 250,00		TH 32 S (PR-2B)	Mini Z8	574798 R	3 960,00
PRESSTIGE	M 18		578314	4 250,00		F 16		578456	4 880,00
	M 22		578316	4 250,00		F 18		578458	4 880,00
	M 28		578318	4 250,00		F 20		578460	4 880,00
	M 35		578390	5 150,00		F 26		578462	5 280,00
	M 15 S (PR-2B)	Mini Z8	574738 R	3 600,00		F 32		578464	5 280,00
	M 18 S (PR-2B)	Mini Z8	574740 R	3 600,00		Fz 40		578478	7 150,00
	M 22 S (PR-2B)	Mini Z8	574742 R	3 600,00		F 16 S (PR-2B)**	Mini Z8	574728 R	3 600,00
	M 28 S (PR-2B)	Mini Z8	574744 R	3 600,00		F 20 S (PR-2B)**	Mini Z8	574730 R	3 600,00
	M 35 S (PR-2B)	Mini Z8	574746 R	3 960,00		F 26 S (PR-2B)**	Mini Z8	574732 R	3 600,00
	V 15		578328	4 250,00		F 32 S (PR-2B)	Mini Z8	574734 R	3 960,00
	V 18		578332	4 250,00		H 16		578400	4 620,00
	V 22		578334	4 250,00		H 18		578404	4 620,00
	V 28		578336	4 250,00		H 20		578406	4 620,00
	V 35		578604	5 150,00		H 25		578408	4 620,00
	V 15 S (PR-2B)	Mini Z8	574752 R	3 600,00		H 26		578410	4 620,00
	V 18 S (PR-2B)	Mini Z8	574756 R	3 600,00		H 32		578412	4 620,00
	V 22 S (PR-2B)	Mini Z8	574758 R	3 600,00		U 16		578374	4 790,00
	V 28 S (PR-2B)	Mini Z8	574760 R	3 600,00		U 18		578376	4 790,00
	V 35 S (PR-2B)	Mini Z8	574762 R	3 960,00		U 20		578378	4 790,00
EFFEBI	M 15		578312	4 250,00		U 25		578380	4 790,00
PRESSTIGE 4E05	M 18		578314	4 250,00		U 26 ⁷⁾		578392	5 620,00
	M 22		578316	4 250,00		U 32		578382	5 620,00
	M 28		578318	4 250,00		U 40		578386	6 840,00
	M 35		578390	5 150,00		B 16		578468	5 590,00
	M 15 S (PR-2B)	Mini Z8	574738 R	3 600,00		B 18		578470	5 590,00
	M 18 S (PR-2B)	Mini Z8	574740 R	3 600,00		B 20		578472	5 590,00
	M 22 S (PR-2B)	Mini Z8	574742 R	3 600,00		B 26		578474	6 160,00
	M 28 S (PR-2B)	Mini Z8	574744 R	3 600,00		B 32		578476	6 160,00
	M 35 S (PR-2B)	Mini Z8	574746 R	3 960,00	EFIELD	U 16		578374	4 790,00
EFFEBI	M 15		578312	4 250,00	MULTILAYER PRESS	U 18		578376	4 790,00
PRESSTIGE-GAS	M 18		578314	4 250,00	DINGAS	U 20		578378	4 790,00
	M 22		578316	4 250,00		U 25		578380	4 790,00
	M 28		578318	4 250,00		U 32		578382	5 620,00
	M 35		578390	5 150,00	EFIELD	U 16		578374	4 790,00
	M 15 S (PR-2B)	Mini Z8	574738 R	3 600,00	MULTILAYER PRESS	U 18		578376	4 790,00
	M 18 S (PR-2B)	Mini Z8	574740 R	3 600,00	WATER	U 20		578378	4 790,00
	M 22 S (PR-2B)	Mini Z8	574742 R	3 600,00		U 25		578380	4 790,00
	M 28 S (PR-2B)	Mini Z8	574744 R	3 600,00		U 32		578382	5 620,00
	M 35 S (PR-2B)	Mini Z8	574746 R	3 960,00	Elkhart	VUS ½" (OD 15,9 mm)		578566	5 140,00
	V 15		578328	4 250,00	APOLLOXPRESS	VUS ¾" (OD 22,2 mm)		578568	5 140,00
	V 18		578332	4 250,00	Fittings Copper	VUS 1" (OD 28,6 mm)		578570	5 140,00
	V 22		578334	4 250,00	and Low-Lead Brass	VUS 1¼" (OD 34,9 mm)		578606	5 140,00
	V 28		578336	4 250,00	EMMETI	B 16		578468	5 590,00
	V 35		578604	5 150,00	GERPEX-	B 20		578472	5 590,00
	V 15 S (PR-2B)	Mini Z8	574752 R	3 600,00	FIVPRESS	B 26		578474	6 160,00
	V 18 S (PR-2B)	Mini Z8	574756 R	3 600,00		B 32		578476	6 160,00
	V 22 S (PR-2B)	Mini Z8	574758 R	3 600,00		F 16		578456	4 880,00
	V 28 S (PR-2B)	Mini Z8	574760 R	3 600,00		F 20		578460	4 880,00
	V 35 S (PR-2B)	Mini Z8	574762 R	3 960,00		H 16		578400	4 620,00
EFFEBI	TH 16		578352 R	5 120,00		H 20		578406	4 620,00
TOF-GAS	TH 20		578358 R	5 120,00		TH 16		578352 R	5 120,00
MULTIPINZA	TH 26		578362 R	5 120,00		TH 20		578358 R	5 120,00
	TH 32		578364	5 120,00		TH 26		578362 R	5 120,00
	TH 16 S (PR-2B)**	Mini Z8	574782 R	3 600,00		TH 32		578364	5 120,00
	TH 20 S (PR-2B)**	Mini Z8	574788 R	3 600,00		TH 40		578624	6 790,00
	TH 26 S (PR-2B)**	Mini Z8	574794 R	3 600,00		U 16		578374	4 790,00
	TH 32 S (PR-2B)	Mini Z8	574798 R	3 960,00		U 20		578378	4 790,00
	H 16		578400	4 620,00	EMPUR	TH 14		578348	5 120,00
	H 20		578406	4 620,00		TH 15		578350	5 120,00
	H 26		578410	4 620,00		TH 16		578352 R	5 120,00
	H 32		578412	4 620,00		TH 17		578354	5 120,00
	U 16		578374	4 790,00		TH 20		578358 R	5 120,00
	U 20		578378	4 790,00		TH 25		578360	5 120,00
	U 32		578382	5 620,00		TH 14 S (PR-2B)**	Mini Z8	574778 R	3 600,00
						TH 15 S (PR-2B)**	Mini Z8	574780 R	3 600,00
						TH 16 S (PR-2B)**	Mini Z8	574782 R	3 600,00
						TH 17 S (PR-2B)**	Mini Z8	574784 R	3 600,00
						TH 20 S (PR-2B)**	Mini Z8	574788 R	3 600,00
						TH 25 S (PR-2B)**	Mini Z8	574792 R	3 600,00

Pressfitting systems for gas installations may only be pressed with the pressing tongs Mini which are highlighted in yellow in the table.

Observe the national regulations. Read and observe the system provider's/manufacturer's instructions for use and assembly instructions.

** Can also be driven by the ROLLER'S Easy-Press manual radial press using the Z8 adapter tongs, see page 90. Observe the national regulations.

¹⁾ Only pressing tongs from designation "108" (1st quarter of 2008), "208" (2nd quarter of 2008) etc. can be used. The designation is stamped on every pressing jaw.

²⁾ For accommodating suitable pressing inserts.

³⁾ Only pressing tongs from designation "117" (1st quarter of 201), "217" (2nd quarter of 2017) etc. can be used. The designation is stamped on every pressing jaw.

⁴⁾ For pipes with the EN technical standard. Observe the system provider's/manufacturer's instructions for use.

⁵⁾ Only use Mini pressing tongs identified by "VMP ½" G" on the pressing jaws for gas installations.

⁷⁾ Previous designation: Mini C 26 pressing tongs

⁹⁾ For pipes with the ASTM technical standard. Observe the system provider's/manufacturer's instructions for use.

Suitability of the ROLLER'S pressing tools for pressfitting systems: Status 27.10.2023. The current status can be found on the Internet:

www.albert-roller.de → Downloads → Product Catalogues, Brochures → ROLLER Catalogue.

See page 79 for adapter tongs. Pressing tongs/pressing rings for other press fitting systems on request.

System	Pressing tongs Mini/pressing rings	Drive with adapter tongs	Art.-No.	K€
Esta Rohr	M 15		578312	4 250,00
simplesta SH M	M 18		578314	4 250,00
	M 22		578316	4 250,00
	M 28		578318	4 250,00
	M 35		578390	5 150,00
	M 15 S (PR-2B)	Mini Z8	574738 R	3 600,00
	M 18 S (PR-2B)	Mini Z8	574740 R	3 600,00
	M 22 S (PR-2B)	Mini Z8	574742 R	3 600,00
Esta Rohr	M 28 S (PR-2B)	Mini Z8	574744 R	3 600,00
	M 35 S (PR-2B)	Mini Z8	574746 R	3 960,00
	M 15		578312	4 250,00
	M 18		578314	4 250,00
	M 22		578316	4 250,00
	M 28		578318	4 250,00
	M 35		578390	5 150,00
simplesta ST M	M 15 S (PR-2B)	Mini Z8	574738 R	3 600,00
	M 18 S (PR-2B)	Mini Z8	574740 R	3 600,00
	M 22 S (PR-2B)	Mini Z8	574742 R	3 600,00
	M 28 S (PR-2B)	Mini Z8	574744 R	3 600,00
	M 35 S (PR-2B)	Mini Z8	574746 R	3 960,00
	M 12		578310	4 250,00
	M 15		578312	4 250,00
M 18		578314	4 250,00	
M 22		578316	4 250,00	
M 28		578318	4 250,00	
M 35		578390	5 150,00	
EUROTUBI	M 12 S (PR-2B)	Mini Z8	574736 R	3 600,00
	M 15 S (PR-2B)	Mini Z8	574738 R	3 600,00
	M 18 S (PR-2B)	Mini Z8	574740 R	3 600,00
	M 22 S (PR-2B)	Mini Z8	574742 R	3 600,00
	M 28 S (PR-2B)	Mini Z8	574744 R	3 600,00
	M 35 S (PR-2B)	Mini Z8	574746 R	3 960,00
	M 15		578312	4 250,00
M 18		578314	4 250,00	
M 22		578316	4 250,00	
M 28		578318	4 250,00	
M 35		578390	5 150,00	
EUROTUBI	M 15 S (PR-2B)	Mini Z8	574738 R	3 600,00
	M 18 S (PR-2B)	Mini Z8	574740 R	3 600,00
	M 22 S (PR-2B)	Mini Z8	574742 R	3 600,00
	M 28 S (PR-2B)	Mini Z8	574744 R	3 600,00
	M 35 S (PR-2B)	Mini Z8	574746 R	3 960,00
	M 15		578312	4 250,00
	M 18		578314	4 250,00
M 22		578316	4 250,00	
M 28		578318	4 250,00	
M 35		578390	5 150,00	
Inox Pressfitting	M 15 S (PR-2B)	Mini Z8	574738 R	3 600,00
	M 18 S (PR-2B)	Mini Z8	574740 R	3 600,00
	M 22 S (PR-2B)	Mini Z8	574742 R	3 600,00
	M 28 S (PR-2B)	Mini Z8	574744 R	3 600,00
	M 35 S (PR-2B)	Mini Z8	574746 R	3 960,00
	VAU 15 (1/2") (OD 12,7 mm)		578630	4 390,00
	VAU 20 (3/4") (OD 19,1 mm)		578632	4 390,00
VAU 25 (1") (OD 25,4 mm)		578634	4 390,00	
F				
FAR Rubinetterie	TH 14		578348	5 120,00
PRESSFAR	TH 16		578352 R	5 120,00
	TH 17		578354	5 120,00
	TH 18		578356	5 120,00
	TH 20		578358 R	5 120,00
	TH 25		578360	5 120,00
	TH 26		578362 R	5 120,00
	TH 32		578364	5 120,00
	TH 40		578624	6 790,00
	TH 14 S (PR-2B)**	Mini Z8	574778 R	3 600,00
	TH 16 S (PR-2B)**	Mini Z8	574782 R	3 600,00
	TH 17 S (PR-2B)**	Mini Z8	574784 R	3 600,00
	TH 18 S (PR-2B)**	Mini Z8	574786 R	3 600,00
	TH 20 S (PR-2B)**	Mini Z8	574788 R	3 600,00
	TH 25 S (PR-2B)**	Mini Z8	574792 R	3 600,00
	TH 26 S (PR-2B)**	Mini Z8	574794 R	3 600,00
	TH 32 S (PR-2B)	Mini Z8	574798 R	3 960,00
	H 14		578398	4 620,00
	H 16		578400	4 620,00
	H 18		578404	4 620,00
	H 20		578406	4 620,00
H 26		578410	4 620,00	
H 32		578412	4 620,00	
U 14		578372	5 040,00	
U 16		578374	4 790,00	
U 18		578376	4 790,00	
U 20		578378	4 790,00	
U 25		578380	4 790,00	
U 32		578382	5 620,00	
U 40		578386	6 840,00	
F.B.Q. BARONIO	V 12		578324	4 250,00
BQ PRESS SOLAR	V 14		578326	4 250,00
	V 15		578328	4 250,00
	V 16		578330	4 250,00
	V 18		578332	4 250,00
	V 22		578334	4 250,00
	V 28		578336	4 250,00
	V 35		578604	5 150,00
	V 12 S (PR-2B)	Mini Z8	574748 R	3 600,00
	V 14 S (PR-2B)	Mini Z8	574800 R	3 600,00
	V 15 S (PR-2B)	Mini Z8	574752 R	3 600,00
	V 16 S (PR-2B)	Mini Z8	574802 R	3 600,00
	V 18 S (PR-2B)	Mini Z8	574756 R	3 600,00
	V 22 S (PR-2B)	Mini Z8	574758 R	3 600,00
	V 28 S (PR-2B)	Mini Z8	574760 R	3 600,00
	V 35 S (PR-2B)	Mini Z8	574762 R	3 960,00

System	Pressing tongs Mini/pressing rings	Drive with adapter tongs	Art.-No.	K€	
F.B.Q. BARONIO	V 12		578324	4 250,00	
BQ PRESS WATER	V 14		578326	4 250,00	
	V 15		578328	4 250,00	
	V 16		578330	4 250,00	
	V 18		578332	4 250,00	
	V 22		578334	4 250,00	
	V 28		578336	4 250,00	
	V 35		578604	5 150,00	
	V 12 S (PR-2B)	Mini Z8	574748 R	3 600,00	
	V 14 S (PR-2B)	Mini Z8	574800 R	3 600,00	
	V 15 S (PR-2B)	Mini Z8	574752 R	3 600,00	
	V 16 S (PR-2B)	Mini Z8	574802 R	3 600,00	
	V 18 S (PR-2B)	Mini Z8	574756 R	3 600,00	
	V 22 S (PR-2B)	Mini Z8	574758 R	3 600,00	
	V 28 S (PR-2B)	Mini Z8	574760 R	3 600,00	
	V 35 S (PR-2B)	Mini Z8	574762 R	3 960,00	
F.B.Q. BARONIO	V 12		578324	4 250,00	
BQ PRESS GAS	V 14		578326	4 250,00	
	V 15		578328	4 250,00	
	V 16		578330	4 250,00	
	V 18		578332	4 250,00	
	V 22		578334	4 250,00	
	V 28		578336	4 250,00	
	V 35		578604	5 150,00	
	V 12 S (PR-2B)	Mini Z8	574748 R	3 600,00	
	V 14 S (PR-2B)	Mini Z8	574800 R	3 600,00	
	V 15 S (PR-2B)	Mini Z8	574752 R	3 600,00	
	V 16 S (PR-2B)	Mini Z8	574802 R	3 600,00	
	V 18 S (PR-2B)	Mini Z8	574756 R	3 600,00	
	V 22 S (PR-2B)	Mini Z8	574758 R	3 600,00	
	V 28 S (PR-2B)	Mini Z8	574760 R	3 600,00	
	V 35 S (PR-2B)	Mini Z8	574762 R	3 960,00	
FERCOFLOOR	RFz 16		578492	5 340,00	
DUO Press	RFz 20		578494	5 340,00	
FERCO PEX	RFz 25		578496	5 340,00	
	RFz 32		578498	5 340,00	
	TH 16		578352 R	5 120,00	
	TH 20		578358 R	5 120,00	
	TH 25		578360	5 120,00	
	TH 32		578364	5 120,00	
	TH 40		578624	6 790,00	
	TH 16 S (PR-2B)**	Mini Z8	574782 R	3 600,00	
	TH 20 S (PR-2B)**	Mini Z8	574788 R	3 600,00	
	TH 25 S (PR-2B)**	Mini Z8	574792 R	3 600,00	
	TH 32 S (PR-2B)	Mini Z8	574798 R	3 960,00	
	FERCOFLOOR	RFz 16		578492	5 340,00
	DUO Press	RFz 20		578494	5 340,00
	MULTIFER	RFz 25		578496	5 340,00
		RFz 32		578498	5 340,00
TH 16			578352 R	5 120,00	
TH 20			578358 R	5 120,00	
TH 25			578360	5 120,00	
TH 32			578364	5 120,00	
TH 40			578624	6 790,00	
TH 16 S (PR-2B)**		Mini Z8	574782 R	3 600,00	
TH 20 S (PR-2B)**		Mini Z8	574788 R	3 600,00	
TH 25 S (PR-2B)**		Mini Z8	574792 R	3 600,00	
TH 32 S (PR-2B)		Mini Z8	574798 R	3 960,00	
U 16			578374	4 790,00	
U 18			578376	4 790,00	
U 20			578378	4 790,00	
U 25			578380	4 790,00	
U 32		578382	5 620,00		
U 40		578386	6 840,00		
FERRO systems	TH 16		578352 R	5 120,00	
BRASELI	TH 20		578358 R	5 120,00	
	TH 25		578360	5 120,00	
	TH 32		578364	5 120,00	
	TH 16 S (PR-2B)**	Mini Z8	574782 R	3 600,00	
	TH 20 S (PR-2B)**	Mini Z8	574788 R	3 600,00	
GPF GAS	TH 25 S (PR-2B)**	Mini Z8	574792 R	3 600,00	
	TH 32 S (PR-2B)	Mini Z8	574798 R	3 960,00	
	U 16		578374	4 790,00	
FERRO systems	U 18		578376	4 790,00	
BRASELI	U 20		578378	4 790,00	
GPF MULT	U 25		578380	4 790,00	
Pressfitting	U 32		578382	5 620,00	
MULTICAPA	U 40		578386	6 840,00	
FERRO systems	U 16		578374	4 790,00	
BRASELI	U 18		578376	4 790,00	
GPF PPSU	U 20		578378	4 790,00	
Pressfitting PEX y	U 25		578380	4 790,00	
MULTICAPA	U 32		578382	5 620,00	
U 40		578386	6 840,00		
FERRO systems	RFz 16		578492	5 340,00	
BRASELI	RFz 20		578494	5 340,00	
GPF PRESS	RFz 25		578496	5 340,00	
Pressfitting PEX	RFz 32		578498	5 340,00	
FILINOX	M 15		578312	4 250,00	
Instalpress Steel	M 18		578314	4 250,00	
	M 22		578316	4 250,00	
	M 28		578318	4 250,00	
	M 35		578390	5 150,00	
	M 15 S (PR-2B)	Mini Z8	574738 R	3 600,00	
	M 18 S (PR-2B)	Mini Z8	574740 R	3 600,00	
	M 22 S (PR-2B)	Mini Z8	574742 R	3 600,00	
M 28 S (PR-2B)	Mini Z8	574744 R	3 600,00		
M 35 S (PR-2B)	Mini Z8	574746 R	3 960,00		

System	Pressing tongs Mini/pressing rings	Drive with adapter tongs	Art.-No.	K€	System	Pressing tongs Mini/pressing rings	Drive with adapter tongs	Art.-No.	K€
FILINOX	M 15		578312	4 250,00	FORZA	V 15		578328	4 250,00
Instalpress Inox	M 18		578314	4 250,00	STAINLESS V PRESS (AUS)	V 22		578334	4 250,00
	M 22		578316	4 250,00	V 28		578336	4 250,00	
	M 28		578318	4 250,00	V 35		578604	5 150,00	
	M 35		578390	5 150,00	V 15 S (PR-2B)	Mini Z8	574752 R	3 600,00	
	M 15 S (PR-2B)	Mini Z8	574738 R	3 600,00	V 22 S (PR-2B)	Mini Z8	574758 R	3 600,00	
	M 18 S (PR-2B)	Mini Z8	574740 R	3 600,00	V 28 S (PR-2B)	Mini Z8	574760 R	3 600,00	
	M 22 S (PR-2B)	Mini Z8	574742 R	3 600,00	V 35 S (PR-2B)	Mini Z8	574762 R	3 960,00	
	M 28 S (PR-2B)	Mini Z8	574744 R	3 600,00	FRABO	M 15		578312	4 250,00
	M 35 S (PR-2B)	Mini Z8	574746 R	3 960,00	FRABOPRESS 316 GAS M	M 18		578314	4 250,00
FITTINGS ESTÁNDAR	RFz 16		578492	5 340,00	M 22		578316	4 250,00	
ECO-PRESS	RFz 20		578494	5 340,00	M 28		578318	4 250,00	
	RFz 25		578496	5 340,00	M 35		578390	5 150,00	
	RFz 32		578498	5 340,00	M 15 S (PR-2B)	Mini Z8	574738 R	3 600,00	
FITTINGS ESTÁNDAR	RFz 16		578492	5 340,00	M 18 S (PR-2B)	Mini Z8	574740 R	3 600,00	
MULTICAPA	RFz 18		578638	5 340,00	M 22 S (PR-2B)	Mini Z8	574742 R	3 600,00	
	RFz 20		578494	5 340,00	M 28 S (PR-2B)	Mini Z8	574744 R	3 600,00	
	RFz 25		578496	5 340,00	M 35 S (PR-2B)	Mini Z8	574746 R	3 960,00	
	RFz 32		578498	5 340,00	FRABO	V 15		578328	4 250,00
FITTINGS ESTÁNDAR	RFz 16		578492	5 340,00	FRABOPRESS 316 GAS V	V 18		578332	4 250,00
PE-X	RFz 20		578494	5 340,00	V 22		578334	4 250,00	
	RFz 25		578496	5 340,00	V 28		578336	4 250,00	
	RFz 32		578498	5 340,00	V 35		578604	5 150,00	
FORNARA ForPress	B 16		578468	5 590,00	V 15 S (PR-2B)	Mini Z8	574752 R	3 600,00	
	B 20		578472	5 590,00	V 18 S (PR-2B)	Mini Z8	574756 R	3 600,00	
	B 26		578474	6 160,00	V 22 S (PR-2B)	Mini Z8	574758 R	3 600,00	
	B 32		578476	6 160,00	V 28 S (PR-2B)	Mini Z8	574760 R	3 600,00	
	F 16		578456	4 880,00	V 35 S (PR-2B)	Mini Z8	574762 R	3 960,00	
	F 20		578460	4 880,00	FRABO	M 15		578312	4 250,00
	F 26		578462	5 280,00	FRABOPRESS 316 M	M 18		578314	4 250,00
	F 32		578464	5 280,00	M 22		578316	4 250,00	
	F 16 S (PR-2B)**	Mini Z8	574728 R	3 600,00	M 28		578318	4 250,00	
	F 20 S (PR-2B)**	Mini Z8	574730 R	3 600,00	M 35		578390	5 150,00	
	F 26 S (PR-2B)**	Mini Z8	574732 R	3 600,00	M 15 S (PR-2B)	Mini Z8	574738 R	3 600,00	
	F 32 S (PR-2B)	Mini Z8	574734 R	3 960,00	M 18 S (PR-2B)	Mini Z8	574740 R	3 600,00	
	H 16		578400	4 620,00	M 22 S (PR-2B)	Mini Z8	574742 R	3 600,00	
	H 20		578406	4 620,00	M 28 S (PR-2B)	Mini Z8	574744 R	3 600,00	
	H 26		578410	4 620,00	M 35 S (PR-2B)	Mini Z8	574746 R	3 960,00	
	H 32		578412	4 620,00	FRABO	V 12		578324	4 250,00
	TH 16		578352 R	5 120,00	FRABOPRESS 316 V	V 15		578328	4 250,00
	TH 20		578358 R	5 120,00	V 18		578332	4 250,00	
	TH 26		578362 R	5 120,00	V 22		578334	4 250,00	
TH 32		578364	5 120,00	V 28		578336	4 250,00		
TH 16 S (PR-2B)**	Mini Z8	574782 R	3 600,00	V 35		578604	5 150,00		
TH 20 S (PR-2B)**	Mini Z8	574788 R	3 600,00	V 12 S (PR-2B)	Mini Z8	574748 R	3 600,00		
TH 26 S (PR-2B)**	Mini Z8	574794 R	3 600,00	V 15 S (PR-2B)	Mini Z8	574752 R	3 600,00		
TH 32 S (PR-2B)	Mini Z8	574798 R	3 960,00	V 18 S (PR-2B)	Mini Z8	574756 R	3 600,00		
U 16		578374	4 790,00	V 22 S (PR-2B)	Mini Z8	574758 R	3 600,00		
U 20		578378	4 790,00	V 28 S (PR-2B)	Mini Z8	574760 R	3 600,00		
U 26 ⁷⁾		578392	5 620,00	V 35 S (PR-2B)	Mini Z8	574762 R	3 960,00		
U 32		578382	5 620,00	FRABO	V 12		578324	4 250,00	
FORZA	K16/P18		578592	5 340,00	FRABOPRESS	V 15		578328	4 250,00
WATER CRIMP (AUS)	K20		578594	5 340,00	CHROME	V 18		578332	4 250,00
	K25		578596	5 340,00	V 22		578334	4 250,00	
	K32		578598	5 340,00	V 12 S (PR-2B)	Mini Z8	574748 R	3 600,00	
	K1/40		578600	5 340,00	V 15 S (PR-2B)	Mini Z8	574752 R	3 600,00	
FORZA STAINLESS	K16/P18		578592	5 340,00	V 18 S (PR-2B)	Mini Z8	574756 R	3 600,00	
WATER CRIMP	K20		578594	5 340,00	V 22 S (PR-2B)	Mini Z8	574758 R	3 600,00	
	U 16		578374	4 790,00	FRABO	M 15		578312	4 250,00
FORZA	U 20		578378	4 790,00	FRABOPRESS	M 18		578314	4 250,00
STESSO PEX	U 25		578380	4 790,00	C-STEEL M	M 22		578316	4 250,00
WATER AND GAS CRIMP (AUS)	U 32		578382	5 620,00	M 28		578318	4 250,00	
	U 40		578386	6 840,00	M 35		578390	5 150,00	
FORZA	K16/P18		578592	5 340,00	M 15 S (PR-2B)	Mini Z8	574738 R	3 600,00	
GAS CRIMP (AUS)	K20		578594	5 340,00	M 18 S (PR-2B)	Mini Z8	574740 R	3 600,00	
	K25		578596	5 340,00	M 22 S (PR-2B)	Mini Z8	574742 R	3 600,00	
	K32		578598	5 340,00	M 28 S (PR-2B)	Mini Z8	574744 R	3 600,00	
	K1/40		578600	5 340,00	M 35 S (PR-2B)	Mini Z8	574746 R	3 960,00	
	FRABO	V 12		578324	4 250,00	FRABO	V 12		578324
FORZA	VAU 15 (OD 12,7 mm)		578630	4 390,00	FRABOPRESS	V 15		578328	4 250,00
COPPER V PRESS (AUS)	VAU 20 (OD 19,1 mm)		578632	4 390,00	C-STEEL V	V 18		578332	4 250,00
	VAU 25 (OD 25,4 mm)		578634	4 390,00	V 22		578334	4 250,00	
	VAU 32 (OD 31,8 mm)		578636	4 620,00	V 28		578336	4 250,00	
	VAU 15 S (PR-2B) (OD 12,7 mm)	Mini Z8	574804 R	3 600,00	V 35		578604	5 150,00	
	VAU 20 S (PR-2B)** (OD 19,1 mm)	Mini Z8	574806 R	3 600,00	V 12 S (PR-2B)	Mini Z8	574748 R	3 600,00	
	VAU 25 S (PR-2B)** (OD 25,4 mm)	Mini Z8	574808 R	3 960,00	V 15 S (PR-2B)	Mini Z8	574752 R	3 600,00	
					V 18 S (PR-2B)	Mini Z8	574756 R	3 600,00	
				V 22 S (PR-2B)	Mini Z8	574758 R	3 600,00		
				V 28 S (PR-2B)	Mini Z8	574760 R	3 600,00		
				V 35 S (PR-2B)	Mini Z8	574762 R	3 960,00		

Pressfitting systems for gas installations may only be pressed with the pressing tongs Mini which are highlighted in yellow in the table.

Observe the national regulations. Read and observe the system provider's/manufacture's instructions for use and assembly instructions.

** Can also be driven by the ROLLER'S Easy-Press manual radial press using the Z8 adapter tongs, see page 90. Observe the national regulations.

¹⁾ Only pressing tongs from designation "108" (1st quarter of 2008), "208" (2nd quarter of 2008) etc. can be used. The designation is stamped on every pressing jaw.

²⁾ For accommodating suitable pressing inserts.

³⁾ Only pressing tongs from designation "117" (1st quarter of 201), "217" (2nd quarter of 2017) etc. can be used. The designation is stamped on every pressing jaw.

⁴⁾ For pipes with the EN technical standard. Observe the system provider's/manufacture's instructions for use.

⁵⁾ Only use Mini pressing tongs identified by "VMP ½" G" on the pressing jaws for gas installations.

⁷⁾ Previous designation: Mini C 26 pressing tongs

⁹⁾ For pipes with the ASTM technical standard. Observe the system provider's/manufacture's instructions for use.

Suitability of the ROLLER'S pressing tools for pressfitting systems: Status 27.10.2023. The current status can be found on the Internet:

www.albert-roller.de → Downloads → Product Catalogues, Brochures → ROLLER Catalogue.

See page 79 for adapter tongs. Pressing tongs/pressing rings for other press fitting systems on request.

System	Pressing tongs Mini/pressing rings	Drive with adapter tongs	Art.-No.	K€	System	Pressing tongs Mini/pressing rings	Drive with adapter tongs	Art.-No.	K€
FRABO	M 12		578310	4 250,00	Fränkische	F 16		578456	4 880,00
FRABOPRESS	M 15		578312	4 250,00	alpex F50 PROFI	F 20		578460	4 880,00
GAS M	M 18		578314	4 250,00		F 26		578462	5 280,00
	M 22		578316	4 250,00		F 32		578464	5 280,00
	M 28		578318	4 250,00		F 16 S (PR-2B)**	Mini Z8	574728 R	3 600,00
	M 35		578390	5 150,00		F 20 S (PR-2B)**	Mini Z8	574730 R	3 600,00
	M 12 S (PR-2B)	Mini Z8	574736 R	3 600,00		F 26 S (PR-2B)**	Mini Z8	574732 R	3 600,00
	M 15 S (PR-2B)	Mini Z8	574738 R	3 600,00		F 32 S (PR-2B)**	Mini Z8	574734 R	3 960,00
	M 18 S (PR-2B)	Mini Z8	574740 R	3 600,00		H 16		578400	4 620,00
	M 22 S (PR-2B)	Mini Z8	574742 R	3 600,00		H 20		578406	4 620,00
	M 28 S (PR-2B)	Mini Z8	574744 R	3 600,00		H 26		578410	4 620,00
	M 35 S (PR-2B)	Mini Z8	574746 R	3 960,00		H 32		578412	4 620,00
FRABO	V 12		578324	4 250,00		TH 16		578352 R	5 120,00
FRABOPRESS	V 15		578328	4 250,00		TH 20		578358 R	5 120,00
GAS V	V 18		578332	4 250,00		TH 26		578362 R	5 120,00
	V 22		578334	4 250,00		TH 32		578364	5 120,00
	V 28		578336	4 250,00		TH 16 S (PR-2B)**	Mini Z8	574782 R	3 600,00
	V 35		578604	5 150,00		TH 20 S (PR-2B)**	Mini Z8	574788 R	3 600,00
	V 12 S (PR-2B)	Mini Z8	574748 R	3 600,00		TH 26 S (PR-2B)**	Mini Z8	574794 R	3 600,00
	V 15 S (PR-2B)	Mini Z8	574752 R	3 600,00		TH 32 S (PR-2B)**	Mini Z8	574798 R	3 960,00
	V 18 S (PR-2B)	Mini Z8	574756 R	3 600,00		U 16		578374	4 790,00
	V 22 S (PR-2B)	Mini Z8	574758 R	3 600,00	(DN 26)	U 20		578378	4 790,00
	V 28 S (PR-2B)	Mini Z8	574760 R	3 600,00		U 25		578380	4 790,00
	V 35 S (PR-2B)	Mini Z8	574762 R	3 960,00		U 32		578382	5 620,00
FRABO	V 12		578324	4 250,00		VP 16		578482	5 110,00
FRABOPRESS	V 15		578328	4 250,00		VP 20		578484	5 110,00
KOMBI	V 18		578332	4 250,00		VP 32		578488	5 650,00
	V 22		578334	4 250,00	Fränkische	Fz 40		578478	7 150,00
	V 28		578336	4 250,00	alpex L				
	V 35		578604	5 150,00	G				
	V 12 S (PR-2B)	Mini Z8	574748 R	3 600,00	gabotherm H+S	TH 10		578342	5 120,00
	V 15 S (PR-2B)	Mini Z8	574752 R	3 600,00		TH 12		578346	5 120,00
	V 18 S (PR-2B)	Mini Z8	574756 R	3 600,00		TH 14		578348	5 120,00
	V 22 S (PR-2B)	Mini Z8	574758 R	3 600,00		TH 15		578350	5 120,00
	V 28 S (PR-2B)	Mini Z8	574760 R	3 600,00		TH 16		578352 R	5 120,00
	V 35 S (PR-2B)	Mini Z8	574762 R	3 960,00		TH 17		578354	5 120,00
FRABO	M 12		578310	4 250,00		TH 18		578356	5 120,00
FRABOPRESS M	M 15		578312	4 250,00		TH 20		578358 R	5 120,00
	M 18		578314	4 250,00		TH 25		578360	5 120,00
	M 22		578316	4 250,00		TH 26		578362 R	5 120,00
	M 28		578318	4 250,00		TH 32		578364	5 120,00
	M 35		578390	5 150,00		TH 40		578624	6 790,00
	M 12 S (PR-2B)	Mini Z8	574736 R	3 600,00		TH 10 S (PR-2B)**	Mini Z8	574772 R	3 600,00
	M 15 S (PR-2B)	Mini Z8	574738 R	3 600,00		TH 12 S (PR-2B)**	Mini Z8	574776 R	3 600,00
	M 18 S (PR-2B)	Mini Z8	574740 R	3 600,00		TH 14 S (PR-2B)**	Mini Z8	574778 R	3 600,00
	M 22 S (PR-2B)	Mini Z8	574742 R	3 600,00		TH 15 S (PR-2B)**	Mini Z8	574780 R	3 600,00
	M 28 S (PR-2B)	Mini Z8	574744 R	3 600,00		TH 16 S (PR-2B)**	Mini Z8	574782 R	3 600,00
	M 35 S (PR-2B)	Mini Z8	574746 R	3 960,00		TH 17 S (PR-2B)**	Mini Z8	574784 R	3 600,00
FRABO	V 15		578328	4 250,00		TH 18 S (PR-2B)**	Mini Z8	574786 R	3 600,00
FRABOPRESS	V 18		578332	4 250,00		TH 20 S (PR-2B)**	Mini Z8	574788 R	3 600,00
SOLAR	V 22		578334	4 250,00		TH 25 S (PR-2B)**	Mini Z8	574792 R	3 600,00
	V 28		578336	4 250,00		TH 26 S (PR-2B)**	Mini Z8	574794 R	3 600,00
	V 35		578604	5 150,00		TH 32 S (PR-2B)	Mini Z8	574798 R	3 960,00
	V 15 S (PR-2B)	Mini Z8	574752 R	3 600,00	Gallagher USA	H 12 (¾")		578396	4 620,00
	V 18 S (PR-2B)	Mini Z8	574756 R	3 600,00	YogaPipe ACR	U 14 (¾")		578372	5 040,00
	V 22 S (PR-2B)	Mini Z8	574758 R	3 600,00		U 16 (¾")		578374	4 790,00
	V 28 S (PR-2B)	Mini Z8	574760 R	3 600,00		U 18 (¾")		578376	4 790,00
	V 35 S (PR-2B)	Mini Z8	574762 R	3 960,00		U 20 (¾")		578378	4 790,00
FRABO	V 12		578324	4 250,00		U 25 (¾")		578380	4 790,00
FRABOPRESS V	V 15		578328	4 250,00		U 32 (1")		578382	5 620,00
	V 18		578332	4 250,00	Geberit Mapress	M 12		578310	4 250,00
	V 22		578334	4 250,00	C-STAHL	M 15		578312	4 250,00
	V 28		578336	4 250,00		M 18		578314	4 250,00
	V 35		578604	5 150,00		M 22		578316	4 250,00
	V 12 S (PR-2B)	Mini Z8	574748 R	3 600,00		M 28		578318	4 250,00
	V 15 S (PR-2B)	Mini Z8	574752 R	3 600,00		M 35		578390	5 150,00
	V 18 S (PR-2B)	Mini Z8	574756 R	3 600,00		M 12 S (PR-2B)	Mini Z8	574736 R	3 600,00
	V 22 S (PR-2B)	Mini Z8	574758 R	3 600,00		M 15 S (PR-2B)	Mini Z8	574738 R	3 600,00
	V 28 S (PR-2B)	Mini Z8	574760 R	3 600,00		M 18 S (PR-2B)	Mini Z8	574740 R	3 600,00
	V 35 S (PR-2B)	Mini Z8	574762 R	3 960,00		M 22 S (PR-2B)	Mini Z8	574742 R	3 600,00
Fränkische	F 16		578456	4 880,00		M 28 S (PR-2B)	Mini Z8	574744 R	3 600,00
alpex-duo XS	F 20		578460	4 880,00		M 35 S (PR-2B)	Mini Z8	574746 R	3 960,00
	F 26		578462	5 280,00	Geberit Mapress	M 22		578316	4 250,00
	F 32		578464	5 280,00	C-STAHL Sprinkler	M 28		578318	4 250,00
	F 16 S (PR-2B)**	Mini Z8	574728 R	3 600,00	nass				4 250,00
	F 20 S (PR-2B)**	Mini Z8	574730 R	3 600,00	Geberit Mapress	M 12		578310	4 250,00
	F 26 S (PR-2B)**	Mini Z8	574732 R	3 600,00	Edelstahl	M 15		578312	4 250,00
	F 32 S (PR-2B)**	Mini Z8	574734 R	3 960,00		M 18		578314	4 250,00
	TH 16		578352 R	5 120,00		M 22		578316	4 250,00
	TH 20		578358 R	5 120,00		M 28		578318	4 250,00
	TH 26		578362 R	5 120,00		M 35		578390	5 150,00
	TH 32		578364	5 120,00		M 12 S (PR-2B)	Mini Z8	574736 R	3 600,00
	TH 16 S (PR-2B)**	Mini Z8	574782 R	3 600,00		M 15 S (PR-2B)	Mini Z8	574738 R	3 600,00
	TH 20 S (PR-2B)**	Mini Z8	574788 R	3 600,00		M 18 S (PR-2B)	Mini Z8	574740 R	3 600,00
	TH 26 S (PR-2B)**	Mini Z8	574794 R	3 600,00		M 22 S (PR-2B)	Mini Z8	574742 R	3 600,00
	TH 32 S (PR-2B)**	Mini Z8	574798 R	3 960,00		M 28 S (PR-2B)	Mini Z8	574744 R	3 600,00
						M 35 S (PR-2B)	Mini Z8	574746 R	3 960,00

System	Pressing tongs Mini/pressing rings	Drive with adapter tongs	Art.-No.	K€	System	Pressing tongs Mini/pressing rings	Drive with adapter tongs	Art.-No.	K€
Geberit Mapress	M 15		578312	4 250,00	General Fittings	B 16		578468	5 590,00
Edelstahl Gas	M 18		578314	4 250,00	Serie 5S00	B 18		578470	5 590,00
	M 22		578316	4 250,00		B 20		578472	5 590,00
	M 28		578318	4 250,00		B 26		578474	6 160,00
	M 35		578390	5 150,00		B 32		578476	6 160,00
	M 15 S (PR-2B)	Mini Z8	574738 R	3 600,00		F 16		578456	4 880,00
	M 18 S (PR-2B)	Mini Z8	574740 R	3 600,00		F 20		578460	4 880,00
	M 22 S (PR-2B)	Mini Z8	574742 R	3 600,00		F 26		578462	5 280,00
	M 28 S (PR-2B)	Mini Z8	574744 R	3 600,00		F 32		578464	5 280,00
	M 35 S (PR-2B)	Mini Z8	574746 R	3 960,00		F 16 S (PR-2B)**	Mini Z8	574728 R	3 600,00
Geberit Mapress	M 22		578316	4 250,00		F 20 S (PR-2B)**	Mini Z8	574730 R	3 600,00
Edelstahl Sprinkler	M 28		578318	4 250,00		F 26 S (PR-2B)**	Mini Z8	574732 R	3 600,00
Geberit Mapress	M 12		578310	4 250,00		F 32 S (PR-2B)	Mini Z8	574734 R	3 960,00
Kupfer	M 15		578312	4 250,00		H 16		578400	4 620,00
	M 18		578314	4 250,00		H 18		578404	4 620,00
	M 22		578316	4 250,00		H 20		578406	4 620,00
	M 28		578318	4 250,00		H 25		578408	4 620,00
	M 35		578390	5 150,00		H 26		578410	4 620,00
	M 12 S (PR-2B)	Mini Z8	574736 R	3 600,00		H 32		578412	4 620,00
	M 15 S (PR-2B)	Mini Z8	574738 R	3 600,00		TH 16		578352 R	5 120,00
	M 18 S (PR-2B)	Mini Z8	574740 R	3 600,00		TH 18		578356	5 120,00
	M 22 S (PR-2B)	Mini Z8	574742 R	3 600,00		TH 20		578358 R	5 120,00
	M 28 S (PR-2B)	Mini Z8	574744 R	3 600,00		TH 25		578360	5 120,00
	M 35 S (PR-2B)	Mini Z8	574746 R	3 960,00		TH 26		578362 R	5 120,00
Geberit Mapress	M 15		578312	4 250,00		TH 32		578364	5 120,00
Kupfer Gas	M 18		578314	4 250,00		TH 40		578624	6 790,00
	M 22		578316	4 250,00		TH 16 S (PR-2B)**	Mini Z8	574782 R	3 600,00
	M 28		578318	4 250,00		TH 18 S (PR-2B)**	Mini Z8	574786 R	3 600,00
	M 35		578390	5 150,00		TH 20 S (PR-2B)**	Mini Z8	574788 R	3 600,00
	M 15 S (PR-2B)	Mini Z8	574738 R	3 600,00		TH 25 S (PR-2B)**	Mini Z8	574792 R	3 600,00
	M 18 S (PR-2B)	Mini Z8	574740 R	3 600,00		TH 26 S (PR-2B)**	Mini Z8	574794 R	3 600,00
	M 22 S (PR-2B)	Mini Z8	574742 R	3 600,00		TH 32 S (PR-2B)	Mini Z8	574798 R	3 960,00
	M 28 S (PR-2B)	Mini Z8	574744 R	3 600,00		U 16		578374	4 790,00
	M 35 S (PR-2B)	Mini Z8	574746 R	3 960,00		U 18		578376	4 790,00
Geberit Mepla	G 16		578444	5 140,00		U 20		578378	4 790,00
	G 20		578446	5 140,00		U 25		578380	4 790,00
	G 26		578448	5 450,00		U 32		578382	5 620,00
	G 32		578450	5 820,00		U 40		578386	6 840,00
	G 40		578452	7 530,00	General Fittings	H 16		578400	4 620,00
Geberit Mepla	G 16		578444	5 140,00	Trident	H 20		578406	4 620,00
Therm	G 20		578446	5 140,00		H 26		578410	4 620,00
	G 26		578448	5 450,00		H 32		578412	4 620,00
Geberit Volex	TH 16		578352 R	5 120,00		TH 16		578352 R	5 120,00
	TH 20		578358 R	5 120,00		TH 20		578358 R	5 120,00
	TH 26		578362 R	5 120,00		TH 26		578362 R	5 120,00
General Fittings	H 16		578400	4 620,00		TH 32		578364	5 120,00
5T00	H 20		578406	4 620,00		TH 16 S (PR-2B)**	Mini Z8	574782 R	3 600,00
	H 26		578410	4 620,00		TH 20 S (PR-2B)**	Mini Z8	574788 R	3 600,00
	H 32		578412	4 620,00		TH 26 S (PR-2B)**	Mini Z8	574794 R	3 600,00
	TH 16		578352 R	5 120,00		TH 32 S (PR-2B)	Mini Z8	574798 R	3 960,00
	TH 20		578358 R	5 120,00		U 16		578374	4 790,00
	TH 26		578362 R	5 120,00		U 20		578378	4 790,00
	TH 32		578364	5 120,00		U 32		578382	5 620,00
	TH 40		578624	6 790,00	General Fittings	H 16		578400	4 620,00
	TH 16 S (PR-2B)**	Mini Z8	574782 R	3 600,00	Trident Gas	H 20		578406	4 620,00
	TH 20 S (PR-2B)**	Mini Z8	574788 R	3 600,00		H 26		578410	4 620,00
	TH 26 S (PR-2B)**	Mini Z8	574794 R	3 600,00		TH 16		578352 R	5 120,00
	TH 32 S (PR-2B)	Mini Z8	574798 R	3 960,00		TH 20		578358 R	5 120,00
	U 16		578374	4 790,00		TH 26		578362 R	5 120,00
	U 20		578378	4 790,00		TH 32		578364	5 120,00
	U 32		578382	5 620,00		TH 16 S (PR-2B)**	Mini Z8	574782 R	3 600,00
	U 40		578386	6 840,00		TH 20 S (PR-2B)**	Mini Z8	574788 R	3 600,00
General Fittings	H 16		578400	4 620,00		TH 26 S (PR-2B)**	Mini Z8	574794 R	3 600,00
Ewoprex	H 20		578406	4 620,00		TH 32 S (PR-2B)	Mini Z8	574798 R	3 960,00
	H 26		578410	4 620,00		U 16		578374	4 790,00
	H 32		578412	4 620,00		U 20		578378	4 790,00
	TH 16		578352 R	5 120,00		U 32		578382	5 620,00
	TH 20		578358 R	5 120,00	Giacomini	H 16		578400	4 620,00
	TH 26		578362 R	5 120,00	Raccordi RM	H 20		578406	4 620,00
	TH 32		578364	5 120,00	Giacomini	H 26		578410	4 620,00
	TH 40		578624	6 790,00		H 32		578412	4 620,00
	TH 16 S (PR-2B)**	Mini Z8	574782 R	3 600,00		TH 16		578352 R	5 120,00
	TH 20 S (PR-2B)**	Mini Z8	574788 R	3 600,00		TH 20		578358 R	5 120,00
	TH 26 S (PR-2B)**	Mini Z8	574794 R	3 600,00		TH 26		578362 R	5 120,00
	TH 32 S (PR-2B)	Mini Z8	574798 R	3 960,00		TH 32		578364	5 120,00
	U 16		578374	4 790,00		TH 40		578624	6 790,00
	U 20		578378	4 790,00		U 16		578374	4 790,00
	U 32		578382	5 620,00		U 20		578378	4 790,00
	U 40		578386	6 840,00		U 32		578382	5 620,00
						U 40		578386	6 840,00

Pressfitting systems for gas installations may only be pressed with the pressing tongs Mini which are highlighted in yellow in the table.

Observe the national regulations. Read and observe the system provider's/manufacture's instructions for use and assembly instructions.

** Can also be driven by the ROLLER'S Easy-Press manual radial press using the Z8 adapter tongs, see page 90. Observe the national regulations.

1) Only pressing tongs from designation "108" (1st quarter of 2008), "208" (2nd quarter of 2008) etc. can be used. The designation is stamped on every pressing jaw.

2) For accommodating suitable pressing inserts.

3) Only pressing tongs from designation "117" (1st quarter of 201), "217" (2nd quarter of 2017) etc. can be used. The designation is stamped on every pressing jaw.

4) For pipes with the EN technical standard. Observe the system provider's/manufacture's instructions for use.

5) Only use Mini pressing tongs identified by "VMP 1/2" G" on the pressing jaws for gas installations.

7) Previous designation: Mini C 26 pressing tongs

9) For pipes with the ASTM technical standard. Observe the system provider's/manufacture's instructions for use.

Suitability of the ROLLER'S pressing tools for pressfitting systems: Status 27.10.2023. The current status can be found on the Internet:

www.albert-roller.de → Downloads → Product Catalogues, Brochures → ROLLER Catalogue.

See page 79 for adapter tongs. Pressing tongs/pressing rings for other press fitting systems on request.

System	Pressing tongs Mini/pressing rings	Drive with adapter tongs	Art.-No.	K€	System	Pressing tongs Mini/pressing rings	Drive with adapter tongs	Art.-No.	K€	
Giacomini RM MULTIGAS	H 16		578400	4 620,00	Herotec tempusPRESS PLUS	H 16		578400	4 620,00	
	H 20		578406	4 620,00		H 20		578406	4 620,00	
	H 26		578410	4 620,00		H 25		578408	4 620,00	
	H 32		578412	4 620,00		H 32		578412	4 620,00	
	TH 16		578352 R	5 120,00		RFz 16		578492	5 340,00	
	TH 20		578358 R	5 120,00		RFz 20		578494	5 340,00	
	TH 26		578362 R	5 120,00		RFz 25		578496	5 340,00	
	TH 32		578364	5 120,00		RFz 32		578498	5 340,00	
	U 16		578374	4 790,00		TH 16		578352 R	5 120,00	
	U 20		578378	4 790,00		TH 20		578358 R	5 120,00	
	U 32		578382	5 620,00		TH 25		578360	5 120,00	
						TH 32		578364	5 120,00	
	Giacomini Valvole Giacomini serie R850V	V 15		578328		4 250,00	TH 40		578624	6 790,00
V 18			578332	4 250,00	TH 16 S (PR-2B)**	Mini Z8	574782 R	3 600,00		
V 22			578334	4 250,00	TH 20 S (PR-2B)**	Mini Z8	574788 R	3 600,00		
V 28			578336	4 250,00	TH 25 S (PR-2B)**	Mini Z8	574792 R	3 600,00		
V 35			578604	5 150,00	TH 32 S (PR-2B)**	Mini Z8	574798 R	3 960,00		
V 15 S (PR-2B)		Mini Z8	574752 R	3 600,00	U 16		578374	4 790,00		
V 18 S (PR-2B)		Mini Z8	574756 R	3 600,00	U 20		578378	4 790,00		
V 22 S (PR-2B)		Mini Z8	574758 R	3 600,00	U 25		578380	4 790,00		
V 28 S (PR-2B)		Mini Z8	574760 R	3 600,00	U 32		578382	5 620,00		
V 35 S (PR-2B)		Mini Z8	574762 R	3 960,00	U 40		578386	6 840,00		
SA 15			578514	5 110,00	Herotec tempusPRESS PLUS PPSU	H 16		578400	4 620,00	
SA 18			578518	5 110,00		H 20		578406	4 620,00	
SA 22			578520	5 110,00		H 25		578408	4 620,00	
SA 28			578522	5 110,00		H 32		578412	4 620,00	
M 15			578312	4 250,00		TH 16		578352 R	5 120,00	
M 18			578314	4 250,00		TH 20		578358 R	5 120,00	
M 22			578316	4 250,00		TH 25		578360	5 120,00	
M 28			578318	4 250,00		TH 32		578364	5 120,00	
M 35			578390	5 150,00		TH 40		578624	6 790,00	
M 15 S (PR-2B)		Mini Z8	574738 R	3 600,00		TH 16 S (PR-2B)**	Mini Z8	574772 R	3 600,00	
M 18 S (PR-2B)		Mini Z8	574740 R	3 600,00		TH 20 S (PR-2B)**	Mini Z8	574778 R	3 600,00	
M 22 S (PR-2B)		Mini Z8	574742 R	3 600,00		TH 25 S (PR-2B)**	Mini Z8	574784 R	3 600,00	
M 28 S (PR-2B)		Mini Z8	574744 R	3 600,00		TH 32 S (PR-2B)**	Mini Z8	574790 R	3 960,00	
M 35 S (PR-2B)	Mini Z8	574746 R	3 960,00	U 16		578374	4 790,00			
Golan Pipe Systems (Scandinavia) Alu-Pres	U 16		578374	4 790,00	U 20		578378	4 790,00		
	U 20		578378	4 790,00	U 25		578380	4 790,00		
	U 25		578380	4 790,00	U 32		578382	5 620,00		
	U 32		578382	5 620,00	U 40		578386	6 840,00		
	U 40		578386	6 840,00	HERZ PIPEFIX	TH 10		578342	5 120,00	
Grinnell G-PRESS Copper Fittings	VUS ½" (OD 15,9mm)		578566	5 140,00		TH 16		578352 R	5 120,00	
	VUS ¾" (OD 22,2mm)		578568	5 140,00		TH 20		578358 R	5 120,00	
	VUS 1" (OD 28,6mm)		578570	5 140,00		TH 26		578362 R	5 120,00	
	VUS 1½" (OD 34,9mm)		578606	5 140,00		TH 32		578364	5 120,00	
					TH 40		578624	6 790,00		
GS Wärmesysteme System TH	TH 14		578348	5 120,00	TH 10 S (PR-2B)**	Mini Z8	574772 R	3 600,00		
	TH 16		578352 R	5 120,00	TH 16 S (PR-2B)**	Mini Z8	574778 R	3 600,00		
	TH 20		578358 R	5 120,00	TH 20 S (PR-2B)**	Mini Z8	574784 R	3 600,00		
	TH 26		578362 R	5 120,00	TH 26 S (PR-2B)**	Mini Z8	574790 R	3 600,00		
	TH 32		578364	5 120,00	TH 32 S (PR-2B)**	Mini Z8	574796 R	3 960,00		
	TH 40		578624	6 790,00	HIDRONIX MULTIGAS	TH 16		578352 R	5 120,00	
	TH 14 S (PR-2B)**	Mini Z8	574778 R	3 600,00		TH 20		578358 R	5 120,00	
	TH 16 S (PR-2B)**	Mini Z8	574782 R	3 600,00		TH 26		578362 R	5 120,00	
	TH 20 S (PR-2B)**	Mini Z8	574788 R	3 600,00		HIDRONIX MULTIPIPE	TH 14		578348	5 120,00
	TH 26 S (PR-2B)**	Mini Z8	574794 R	3 600,00			TH 16		578352 R	5 120,00
	TH 32 S (PR-2B)	Mini Z8	574798 R	3 960,00	TH 20			578358 R	5 120,00	
	V 15		578328	4 250,00	TH 26			578362 R	5 120,00	
	V 18		578332	4 250,00	TH 32			578364	5 120,00	
V 22		578334	4 250,00	H 14		578398	4 620,00			
V 28		578336	4 250,00	H 16		578400	4 620,00			
V 35		578604	5 150,00	H 18		578404	4 620,00			
V 15 S (PR-2B)	Mini Z8	574752 R	3 600,00	H 20		578406	4 620,00			
V 18 S (PR-2B)	Mini Z8	574756 R	3 600,00	H 26		578410	4 620,00			
V 22 S (PR-2B)	Mini Z8	574758 R	3 600,00	H 32		578412	4 620,00			
V 28 S (PR-2B)	Mini Z8	574760 R	3 600,00	U 14		578372	5 040,00			
V 35 S (PR-2B)	Mini Z8	574762 R	3 960,00	U 16		578374	4 790,00			
GS Wärmesysteme System V	V 15		578328	4 250,00	U 18		578376	4 790,00		
	V 18		578332	4 250,00	U 20		578378	4 790,00		
	V 22		578334	4 250,00	U 26 ^o		578392	5 620,00		
	V 28		578336	4 250,00	U 32		578382	5 620,00		
	V 35		578604	5 150,00	HIDRONIX UNICO	TH 14		578348	5 120,00	
	V 15 S (PR-2B)	Mini Z8	574752 R	3 600,00		TH 16		578352 R	5 120,00	
	V 18 S (PR-2B)	Mini Z8	574756 R	3 600,00		TH 20		578358 R	5 120,00	
	V 22 S (PR-2B)	Mini Z8	574758 R	3 600,00		TH 26		578362 R	5 120,00	
	V 28 S (PR-2B)	Mini Z8	574760 R	3 600,00		TH 32		578364	5 120,00	
	V 35 S (PR-2B)	Mini Z8	574762 R	3 960,00		H 14		578398	4 620,00	
	heima24	TH 16		578352 R		5 120,00	H 16		578400	4 620,00
		TH 20		578358 R		5 120,00	H 18		578404	4 620,00
		TH 26		578362 R		5 120,00	H 20		578406	4 620,00
TH 32			578364	5 120,00		H 26		578410	4 620,00	
TH 40			578624	6 790,00		H 32		578412	4 620,00	
TH 16 S (PR-2B)**		Mini Z8	574782 R	3 600,00		U 14		578372	5 040,00	
TH 20 S (PR-2B)**		Mini Z8	574788 R	3 600,00		U 16		578374	4 790,00	
TH 26 S (PR-2B)**		Mini Z8	574794 R	3 600,00	U 18		578376	4 790,00		
TH 32 S (PR-2B)		Mini Z8	574798 R	3 960,00	U 20		578378	4 790,00		
U 16			578374	4 790,00	U 26 ^o		578392	5 620,00		
U 20			578378	4 790,00	U 32		578382	5 620,00		
U 32			578382	5 620,00	HITEC Sistema Multistrato	TH 14		578348	5 120,00	
HELIROMA Klimapress		U 16		578374		4 790,00	TH 16		578352 R	5 120,00
	U 20		578378	4 790,00		TH 18		578356	5 120,00	
	U 25		578380	4 790,00		TH 20		578358 R	5 120,00	
	U 32		578382	5 620,00		TH 26		578362 R	5 120,00	
	U 40		578386	6 840,00		TH 32		578364	5 120,00	
HELIROMA Klimapress PPSU	U 16		578374	4 790,00		TH 40		578624	6 790,00	
	U 20		578378	4 790,00		TH 14 S (PR-2B)**	Mini Z8	574778 R	3 600,00	
	U 25		578380	4 790,00		TH 16 S (PR-2B)**	Mini Z8	574782 R	3 600,00	
	U 32		578382	5 620,00		TH 18 S (PR-2B)**	Mini Z8	574786 R	3 600,00	
	U 40		578386	6 840,00		TH 20 S (PR-2B)**	Mini Z8	574788 R	3 600,00	
Henco	TH 14		578348	5 120,00		TH 26 S (PR-2B)**	Mini Z8	574794 R	3 600,00	
	TH 16		578352 R	5 120,00		TH 32 S (PR-2B)	Mini Z8	574798 R	3 960,00	
	TH 18		578356	5 120,00	HITHERM-ISOTUBI NUMEPRESS	M 15		578312	4 250,00	
	TH 20		578358 R	5 120,00		M 18		578314	4 250,00	
	TH 26		578362 R	5 120,00		M 22		578316	4 250,00	
	HE 32		578370 R	6 130,00		M 28		578318	4 250,00	
						M 35		578390	5 150,00	
						M 15 S (PR-2B)	Mini Z8	574738 R	3 600,00	
						M 18 S (PR-2B)	Mini Z8	574740 R	3 600,00	
				M 22 S (PR-2B)		Mini Z8	574742 R	3 600,00		
				M 28 S (PR-2B)		Mini Z8	574744 R	3 600,00		
				M 35 S (PR-2B)	Mini Z8	574746 R	3 960,00			

H

System	Pressing tongs Mini/pressing rings	Drive with adapter tongs	Art.-No.	K€	System	Pressing tongs Mini/pressing rings	Drive with adapter tongs	Art.-No.	K€	
HITHERM-ISOTUBI	M 15		578312	4 250,00	ICMA Sempigas	TH 16		578352 R	5 120,00	
HTpress	M 18		578314	4 250,00		TH 20		578358 R	5 120,00	
	M 22		578316	4 250,00		TH 25		578360	5 120,00	
	M 28		578318	4 250,00		TH 26		578362 R	5 120,00	
	M 35		578390	5 150,00		TH 32		578364	5 120,00	
	M 15 S (PR-2B)	Mini Z8	574738 R	3 600,00		TH 16 S (PR-2B)**	Mini Z8	574782 R	3 600,00	
	M 18 S (PR-2B)	Mini Z8	574740 R	3 600,00		TH 20 S (PR-2B)**	Mini Z8	574788 R	3 600,00	
	M 22 S (PR-2B)	Mini Z8	574742 R	3 600,00		TH 26 S (PR-2B)**	Mini Z8	574794 R	3 600,00	
	M 28 S (PR-2B)	Mini Z8	574744 R	3 600,00		TH 32 S (PR-2B)	Mini Z8	574798 R	3 960,00	
	M 35 S (PR-2B)	Mini Z8	574746 R	3 960,00		Idrosanitaria Bonomi Homegas	TH 16		578352 R	5 120,00
	HITHERM-ISOTUBI	M 15		578312			4 250,00	TH 20		578358 R
HTfire	M 18		578314	4 250,00			TH 26		578362 R	5 120,00
	M 22		578316	4 250,00	TH 16 S (PR-2B)**		Mini Z8	574782 R	3 600,00	
	M 28		578318	4 250,00	TH 20 S (PR-2B)**		Mini Z8	574788 R	3 600,00	
	M 35		578390	5 150,00	TH 26 S (PR-2B)**		Mini Z8	574794 R	3 600,00	
	M 15 S (PR-2B)	Mini Z8	574738 R	3 600,00	TH 32 S (PR-2B)	Mini Z8	574798 R	3 960,00		
	M 18 S (PR-2B)	Mini Z8	574740 R	3 600,00	Idrosanitaria Bonomi Idropress	TH 16		578352 R	5 120,00	
	M 22 S (PR-2B)	Mini Z8	574742 R	3 600,00		TH 18		578356	5 120,00	
	M 28 S (PR-2B)	Mini Z8	574744 R	3 600,00		TH 20		578358 R	5 120,00	
	M 35 S (PR-2B)	Mini Z8	574746 R	3 960,00		TH 26		578362 R	5 120,00	
	HITHERM-ISOTUBI	M 15		578312		4 250,00	TH 32		578364	5 120,00
HTair	M 18		578314	4 250,00		TH 40		578624	6 790,00	
	M 22		578316	4 250,00		TH 16 S (PR-2B)**	Mini Z8	574782 R	3 600,00	
	M 28		578318	4 250,00		TH 20 S (PR-2B)**	Mini Z8	574788 R	3 600,00	
	M 35		578390	5 150,00		TH 26 S (PR-2B)**	Mini Z8	574794 R	3 600,00	
	M 15 S (PR-2B)	Mini Z8	574738 R	3 600,00		TH 32 S (PR-2B)	Mini Z8	574798 R	3 960,00	
	M 18 S (PR-2B)	Mini Z8	574740 R	3 600,00		IDROSISTEMI Ta-Press	TH 16		578352 R	5 120,00
	M 22 S (PR-2B)	Mini Z8	574742 R	3 600,00			TH 20		578358 R	5 120,00
	M 28 S (PR-2B)	Mini Z8	574744 R	3 600,00	TH 26			578362 R	5 120,00	
	M 35 S (PR-2B)	Mini Z8	574746 R	3 960,00	TH 32			578364	5 120,00	
	Hopewell press fit system	M 15		578312	4 250,00		TH 40		578624	6 790,00
	M 18		578314	4 250,00	TH 16 S (PR-2B)**		Mini Z8	574782 R	3 600,00	
	M 22		578316	4 250,00	TH 20 S (PR-2B)**		Mini Z8	574788 R	3 600,00	
	M 28		578318	4 250,00	TH 26 S (PR-2B)**		Mini Z8	574794 R	3 600,00	
	M 35		578390	5 150,00	TH 32 S (PR-2B)		Mini Z8	574798 R	3 960,00	
	hp praski BAVARIA-press	TH 10		578342	5 120,00		F 16		578456	4 880,00
	TH 12		578346	5 120,00	F 20			578460	4 880,00	
	TH 14		578348	5 120,00	F 26			578462	5 280,00	
	TH 16		578352 R	5 120,00	F 32		578464	5 280,00		
	TH 17		578354	5 120,00	F 16 S (PR-2B)**	Mini Z8	574728 R	3 600,00		
	TH 20		578358 R	5 120,00	F 20 S (PR-2B)**	Mini Z8	574730 R	3 600,00		
	TH 25		578360	5 120,00	F 26 S (PR-2B)**	Mini Z8	574732 R	3 600,00		
	TH 26		578362 R	5 120,00	F 32 S (PR-2B)	Mini Z8	574734 R	3 960,00		
	TH 32		578364	5 120,00	Fz 40		578478	7 150,00		
	TH 40		578624	6 790,00	H 16		578400	4 620,00		
	TH 10 S (PR-2B)**	Mini Z8	574772 R	3 600,00	H 20		578406	4 620,00		
	TH 12 S (PR-2B)**	Mini Z8	574776 R	3 600,00	H 26		578410	4 620,00		
	TH 14 S (PR-2B)**	Mini Z8	574778 R	3 600,00	H 32		578412	4 620,00		
	TH 16 S (PR-2B)**	Mini Z8	574782 R	3 600,00	U 16		578374	4 790,00		
	TH 17 S (PR-2B)**	Mini Z8	574784 R	3 600,00	U 20		578378	4 790,00		
	TH 20 S (PR-2B)**	Mini Z8	574788 R	3 600,00	U 26 ⁷⁾		578392	5 620,00		
	TH 25 S (PR-2B)**	Mini Z8	574792 R	3 600,00	U 32		578382	5 620,00		
	TH 26 S (PR-2B)**	Mini Z8	574794 R	3 600,00	U 40		578386	6 840,00		
	TH 32 S (PR-2B)	Mini Z8	574798 R	3 960,00	B 16		578468	5 590,00		
					B 20		578472	5 590,00		
					B 26		578474	6 160,00		
					B 32		578476	6 160,00		
					IDROTRADE Storm Multipinza	H 16		578400	4 620,00	
						H 20		578406	4 620,00	
						H 26		578410	4 620,00	
						H 32		578412	4 620,00	
						TH 16		578352 R	5 120,00	
				TH 20			578358 R	5 120,00		
				TH 26			578362 R	5 120,00		
				TH 32			578364	5 120,00		
				THL 32			578368	5 120,00		
				TH 40			578624	6 790,00		
				TH 16 S (PR-2B)**		Mini Z8	574782 R	3 600,00		
				TH 20 S (PR-2B)**		Mini Z8	574788 R	3 600,00		
				TH 26 S (PR-2B)**	Mini Z8	574794 R	3 600,00			
				TH 32 S (PR-2B)	Mini Z8	574798 R	3 960,00			
				U 16		578374	4 790,00			
				U 20		578378	4 790,00			
				IDROTRADE StormPRES ⁹⁾	M 15		578312	4 250,00		
					M 18		578314	4 250,00		
					M 22		578316	4 250,00		
					M 28		578318	4 250,00		
					M 35		578390	5 150,00		
					M 15 S (PR-2B)	Mini Z8	574738 R	3 600,00		
					M 18 S (PR-2B)	Mini Z8	574740 R	3 600,00		
					M 22 S (PR-2B)	Mini Z8	574742 R	3 600,00		
					M 28 S (PR-2B)	Mini Z8	574744 R	3 600,00		
					M 35 S (PR-2B)	Mini Z8	574746 R	3 960,00		

Pressfitting systems for gas installations may only be pressed with the pressing tongs Mini which are highlighted in yellow in the table.

Observe the national regulations. Read and observe the system provider's/manufacturer's instructions for use and assembly instructions.

** Can also be driven by the ROLLER'S Easy-Press manual radial press using the Z8 adapter tongs, see page 90. Observe the national regulations.

¹⁾ Only pressing tongs from designation "108" (1st quarter of 2008), "208" (2nd quarter of 2008) etc. can be used. The designation is stamped on every pressing jaw.

²⁾ For accommodating suitable pressing inserts.

³⁾ Only pressing tongs from designation "117" (1st quarter of 201), "217" (2nd quarter of 2017) etc. can be used. The designation is stamped on every pressing jaw.

⁴⁾ For pipes with the EN technical standard. Observe the system provider's/manufacturer's instructions for use.

⁵⁾ Only use Mini pressing tongs identified by "VMP ½" G" on the pressing jaws for gas installations.

⁷⁾ Previous designation: Mini C 26 pressing tongs

⁹⁾ For pipes with the ASTM technical standard. Observe the system provider's/manufacturer's instructions for use.

Suitability of the ROLLER'S pressing tools for pressfitting systems: Status 27.10.2023. The current status can be found on the Internet:

www.albert-roller.de → Downloads → Product Catalogues, Brochures → ROLLER Catalogue.

See page 79 for adapter tongs. Pressing tongs/pressing rings for other press fitting systems on request.

ROLLER'S pressing tongs Mini / pressing rings

Accessory for ROLLER'S 22kN radial presses

System	Pressing tongs Mini/pressing rings	Drive with adapter tongs	Art.-No.	K€
POLYSAN Handelsges. m.b.H. & Co KG (Krems/Öster- reich)	M 15 M 18 M 22 M 28 M 35		578312 578314 578316 578318 578390	4 250,00 4 250,00 4 250,00 4 250,00 5 150,00
POLYSAN- Edelstahl Press-System Wasser	M 15 S (PR-2B) M 18 S (PR-2B) M 22 S (PR-2B) M 28 S (PR-2B) M 35 S (PR-2B)	Mini Z8 Mini Z8 Mini Z8 Mini Z8 Mini Z8	574738 R 574740 R 574742 R 574744 R 574746 R	3 600,00 3 600,00 3 600,00 3 600,00 3 960,00
POLYSAN Handelsges. m.b.H. & Co KG (Krems/Öster- reich)	TH 14 TH 16 TH 17 TH 18 TH 20 TH 26		578348 578352 R 578354 578356 578358 R 578362 R	5 120,00 5 120,00 5 120,00 5 120,00 5 120,00 5 120,00
POLYSAN- Press-System	TH 32 TH 40 TH 14 S (PR-2B)** TH 16 S (PR-2B)** TH 17 S (PR-2B)** TH 18 S (PR-2B)** TH 20 S (PR-2B)** TH 26 S (PR-2B)** TH 32 S (PR-2B)	 Mini Z8 Mini Z8 Mini Z8 Mini Z8 Mini Z8 Mini Z8 Mini Z8 Mini Z8	578624 574778 R 574782 R 574784 R 574786 R 574788 R 574794 R 574798 R	6 790,00 3 600,00 3 600,00 3 600,00 3 600,00 3 600,00 3 600,00 3 960,00
POLYSAN Handelsges. m.b.H. & Co KG (Krems/Öster- reich)	TH 14 TH 16 TH 17 TH 18 TH 20 TH 26		578348 578352 R 578354 578356 578358 R 578362 R	5 120,00 5 120,00 5 120,00 5 120,00 5 120,00 5 120,00
POLYSAN-Henco- Press-System	HE 32 HEz 40 ³⁾ TH 14 S (PR-2B)** TH 16 S (PR-2B)** TH 17 S (PR-2B)** TH 18 S (PR-2B)** TH 20 S (PR-2B)** TH 26 S (PR-2B)**	 Mini Z8 Mini Z8 Mini Z8 Mini Z8 Mini Z8 Mini Z8 Mini Z8	578370 R 578572 574778 R 574782 R 574784 R 574786 R 574788 R 574794 R	6 130,00 8 900,00 3 600,00 3 600,00 3 600,00 3 600,00 3 600,00 3 600,00
POLYSAN (España) „Rainbow“	U 16 U 18 U 20 U 25 U 32 U 40		578374 578376 578378 578380 578382 578386	4 790,00 4 790,00 4 790,00 4 790,00 5 620,00 6 840,00
Prandelli Mulyrama Pf	H 14 H 16 H 18 H 20 H 26 H 32 U 40		578398 578400 578404 578406 578410 578412 578386	4 620,00 4 620,00 4 620,00 4 620,00 4 620,00 4 620,00 6 840,00
Prandelli Mulyrama Pfm	H 16 H 18 H 20 H 26 H 32 TH 16 TH 18 TH 20 TH 26 TH 32 TH 40 TH 16 S (PR-2B)** TH 18 S (PR-2B)** TH 20 S (PR-2B)** TH 26 S (PR-2B)** TH 32 S (PR-2B) U 16 U 18 U 20 U 40	 Mini Z8 Mini Z8 Mini Z8 Mini Z8 Mini Z8	578400 578404 578406 578410 578412 578352 R 578356 578358 R 578362 R 578364 578624 574782 R 574786 R 574788 R 574794 R 574798 R	4 620,00 4 620,00 4 620,00 4 620,00 4 620,00 5 120,00 5 120,00 5 120,00 5 120,00 5 120,00 6 790,00 3 600,00 3 600,00 3 600,00 3 600,00 3 960,00
PURMO Cleverfit Radial	U 16 U 18 U 20 U 40 F 16 F 20 F 26 F 32 F 16 S (PR-2B)** F 20 S (PR-2B)** F 26 S (PR-2B)** F 32 S (PR-2B) H 16 H 20 H 26 H 32 TH 14 TH 16 TH 17 TH 20 TH 26 TH 32 TH 40 TH 14 S (PR-2B)** TH 16 S (PR-2B)** TH 17 S (PR-2B)** TH 20 S (PR-2B)** TH 26 S (PR-2B)** TH 32 S (PR-2B) U 16 U 20 U 32 VP 16 VP 20 VP 32	 Mini Z8 Mini Z8 Mini Z8 Mini Z8	578374 578376 578378 578386 578456 578460 578462 578464 574728 R 574730 R 574732 R 574734 R 578400 578406 578410 578412 578348 578352 R 578354 578358 R 578362 R 578364 578624 574778 R 574782 R 574784 R 574788 R 574794 R 574798 R 578374 578378 578382 578482 578484 578488	4 790,00 4 790,00 4 790,00 6 840,00 4 880,00 4 880,00 5 280,00 5 280,00 3 600,00 3 600,00 3 600,00 3 960,00 4 620,00 4 620,00 4 620,00 4 620,00 5 120,00 5 120,00 5 120,00 5 120,00 5 120,00 6 790,00 3 600,00 3 600,00 3 600,00 3 600,00 3 600,00 3 960,00 4 790,00 4 790,00 5 620,00 5 110,00 5 110,00 5 650,00

System	Pressing tongs Mini/pressing rings	Drive with adapter tongs	Art.-No.	K€
R				
Raccorderie Metalliche aesPRES ¹⁾	M 15 M 18 M 22 M 28 M 35 M 15 S (PR-2B) M 18 S (PR-2B) M 22 S (PR-2B) M 28 S (PR-2B) M 35 S (PR-2B)		578312 578314 578316 578318 578390 574738 R 574740 R 574742 R 574744 R 574746 R	4 250,00 4 250,00 4 250,00 4 250,00 5 150,00 3 600,00 3 600,00 3 600,00 3 600,00 3 960,00
Raccorderie Metalliche inoxPRES ¹⁾	M 15 M 18 M 22 M 28 M 35 M 15 S (PR-2B) M 18 S (PR-2B) M 22 S (PR-2B) M 28 S (PR-2B) M 35 S (PR-2B)		578312 578314 578316 578318 578390 574738 R 574740 R 574742 R 574744 R 574746 R	4 250,00 4 250,00 4 250,00 4 250,00 5 150,00 3 600,00 3 600,00 3 600,00 3 600,00 3 960,00
Raccorderie Metalliche MARINEPRES ¹⁾	M 15 M 18 M 22 M 28 M 35 M 15 S (PR-2B) M 18 S (PR-2B) M 22 S (PR-2B) M 28 S (PR-2B) M 35 S (PR-2B)		578312 578314 578316 578318 578390 574738 R 574740 R 574742 R 574744 R 574746 R	4 250,00 4 250,00 4 250,00 4 250,00 5 150,00 3 600,00 3 600,00 3 600,00 3 600,00 3 960,00
Raccorderie Metalliche steelPRES ¹⁾	M 15 M 18 M 22 M 28 M 35 M 15 S (PR-2B) M 18 S (PR-2B) M 22 S (PR-2B) M 28 S (PR-2B) M 35 S (PR-2B)		578312 578314 578316 578318 578390 574738 R 574740 R 574742 R 574744 R 574746 R	4 250,00 4 250,00 4 250,00 4 250,00 5 150,00 3 600,00 3 600,00 3 600,00 3 600,00 3 960,00
RBM Tita-fix	B 14 B 16 B 18 B 20 B 26 F 16 F 18 F 20 F 16 S (PR-2B)** F 20 S (PR-2B)** H 14 H 16 H 18 H 20 H 26 H 32 TH 14 TH 16 TH 18 TH 20 TH 26 TH 32 TH 40 TH 16 S (PR-2B)** TH 20 S (PR-2B)** TH 26 S (PR-2B)** TH 32 S (PR-2B) U 14 U 16 U 18 U 20	 Mini Z8 Mini Z8	578466 578468 578470 578472 578474 578456 578458 578460 574728 R 574730 R 578398 578400 578404 578406 578410 578412 578348 578352 R 578356 578358 R 578362 R 578364 578624 574782 R 574788 R 574794 R 574798 R	5 590,00 5 590,00 5 590,00 5 590,00 6 160,00 4 880,00 4 880,00 4 880,00 3 600,00 3 600,00 4 620,00 4 620,00 4 620,00 4 620,00 4 620,00 4 620,00 5 120,00 5 120,00 5 120,00 5 120,00 5 120,00 6 790,00 3 600,00 3 600,00 3 600,00 3 960,00 5 040,00 4 790,00 4 790,00 4 790,00
RBM Tita-gas	TH 16 TH 20 TH 26 TH 32 TH 16 S (PR-2B)** TH 20 S (PR-2B)** TH 26 S (PR-2B)** TH 32 S (PR-2B)	 Mini Z8 Mini Z8 Mini Z8 Mini Z8	578352 R 578358 R 578362 R 578364 574782 R 574788 R 574794 R 574798 R	5 120,00 5 120,00 5 120,00 5 120,00 3 600,00 3 600,00 3 600,00 3 960,00
Redi Nicoll Fluxo	TH 14 TH 16 TH 18 TH 20 TH 26 TH 32 TH 40 TH 16 S (PR-2B)** TH 20 S (PR-2B)** TH 26 S (PR-2B)** TH 32 S (PR-2B)		578348 578352 R 578356 578358 R 578362 R 578364 578624 574782 R 574788 R 574794 R 574798 R	5 120,00 5 120,00 5 120,00 5 120,00 5 120,00 5 120,00 6 790,00 3 600,00 3 600,00 3 600,00 3 960,00

System	Pressing tongs Mini/pressing rings	Drive with adapter tongs	Art.-No.	K€	System	Pressing tongs Mini/pressing rings	Drive with adapter tongs	Art.-No.	K€
SANHA NiroTherm Industry Serie 98000	SA 15		578514	5 110,00	SANHA-Press Pressfittings Serie 6000	SA 12		578510	7 420,00
	SA 18		578518	5 110,00		SA 14		578512	7 420,00
	SA 22		578520	5 110,00		SA 15		578514	5 110,00
	SA 28		578522	5 110,00		SA 16		578516	5 110,00
	M 15 ¹⁾		578312	4 250,00		SA 18		578518	5 110,00
	M 18 ¹⁾		578314	4 250,00		SA 22		578520	5 110,00
	M 22 ¹⁾		578316	4 250,00		SA 28		578522	5 110,00
	M 28		578318	4 250,00		M 12		578310	4 250,00
	M 35		578390	5 150,00		M 15 ¹⁾		578312	4 250,00
	M 15 S (PR-2B)	Mini Z8	574738 R	3 600,00		M 18 ¹⁾		578314	4 250,00
	M 18 S (PR-2B)	Mini Z8	574740 R	3 600,00		M 22 ¹⁾		578316	4 250,00
	M 22 S (PR-2B)	Mini Z8	574742 R	3 600,00		M 28		578318	4 250,00
	M 28 S (PR-2B)	Mini Z8	574744 R	3 600,00		M 35		578390	5 150,00
	M 35 S (PR-2B)	Mini Z8	574746 R	3 960,00		M 12 S (PR-2B)	Mini Z8	574736 R	3 600,00
	V 15 ¹⁾		578328	4 250,00		M 15 S (PR-2B)	Mini Z8	574738 R	3 600,00
	V 18 ¹⁾		578332	4 250,00		M 18 S (PR-2B)	Mini Z8	574740 R	3 600,00
	V 22 ¹⁾		578334	4 250,00		M 22 S (PR-2B)	Mini Z8	574742 R	3 600,00
	V 28		578336	4 250,00		M 28 S (PR-2B)	Mini Z8	574744 R	3 600,00
	V 35		578604	5 150,00		M 35 S (PR-2B)	Mini Z8	574746 R	3 960,00
	V 15 S (PR-2B)	Mini Z8	574752 R	3 600,00		V 12		578324	4 250,00
	V 18 S (PR-2B)	Mini Z8	574756 R	3 600,00		V 14		578326	4 250,00
	V 22 S (PR-2B)	Mini Z8	574758 R	3 600,00		VG 14		578338	4 250,00
	V 28 S (PR-2B)	Mini Z8	574760 R	3 600,00		V 15 ¹⁾		578328	4 250,00
	V 35 S (PR-2B)	Mini Z8	574762 R	3 960,00		V 16		578330	4 250,00
SA 12		578510	7 420,00	VG 16		578340	4 250,00		
SA 15		578514	5 110,00	V 18 ¹⁾		578332	4 250,00		
SA 18		578518	5 110,00	V 22 ¹⁾		578334	4 250,00		
SA 22		578520	5 110,00	V 28		578336	4 250,00		
SA 28		578522	5 110,00	V 35		578604	5 150,00		
M 12		578310	4 250,00	V 12 S (PR-2B)	Mini Z8	574748 R	3 600,00		
M 15 ¹⁾		578312	4 250,00	VG 14 S (PR-2B)	Mini Z8	574750 R	3 600,00		
M 18 ¹⁾		578314	4 250,00	V 15 S (PR-2B)	Mini Z8	574752 R	3 600,00		
M 22 ¹⁾		578316	4 250,00	VG 16 S (PR-2B)	Mini Z8	574754 R	3 600,00		
M 28		578318	4 250,00	V 18 S (PR-2B)	Mini Z8	574756 R	3 600,00		
M 12 S (PR-2B)	Mini Z8	574736 R	3 600,00	V 22 S (PR-2B)	Mini Z8	574758 R	3 600,00		
M 15 S (PR-2B)	Mini Z8	574738 R	3 600,00	V 28 S (PR-2B)	Mini Z8	574760 R	3 600,00		
M 18 S (PR-2B)	Mini Z8	574740 R	3 600,00	V 35 S (PR-2B)	Mini Z8	574762 R	3 960,00		
M 22 S (PR-2B)	Mini Z8	574742 R	3 600,00	SA 12		578510	7 420,00		
M 28 S (PR-2B)	Mini Z8	574744 R	3 600,00	SOLAR	SA 15	578514	5 110,00		
V 12		578324	4 250,00	Pressfittings	SA 18	578518	5 110,00		
V 15 ¹⁾		578328	4 250,00	Serie 12000/	SA 22	578520	5 110,00		
V 18 ¹⁾		578332	4 250,00	Serie 13000	SA 28	578522	5 110,00		
V 22 ¹⁾		578334	4 250,00	M 12		578310	4 250,00		
V 28		578336	4 250,00	M 15 ¹⁾		578312	4 250,00		
V 35		578604	5 150,00	M 18 ¹⁾		578314	4 250,00		
V 12 S (PR-2B)	Mini Z8	574736 R	3 600,00	M 22 ¹⁾		578316	4 250,00		
V 15 S (PR-2B)	Mini Z8	574738 R	3 600,00	M 28		578318	4 250,00		
V 18 S (PR-2B)	Mini Z8	574740 R	3 600,00	M 35		578390	5 150,00		
V 22 S (PR-2B)	Mini Z8	574742 R	3 600,00	M 12 S (PR-2B)	Mini Z8	574736 R	3 600,00		
V 28 S (PR-2B)	Mini Z8	574744 R	3 600,00	M 15 S (PR-2B)	Mini Z8	574738 R	3 600,00		
M 35 S (PR-2B)	Mini Z8	574746 R	3 960,00	M 18 S (PR-2B)	Mini Z8	574740 R	3 600,00		
V 12		578324	4 250,00	M 22 S (PR-2B)	Mini Z8	574742 R	3 600,00		
V 14		578326	4 250,00	M 28 S (PR-2B)	Mini Z8	574744 R	3 600,00		
VG 14		578338	4 250,00	M 35 S (PR-2B)	Mini Z8	574746 R	3 960,00		
V 15 ¹⁾		578328	4 250,00	V 12		578324	4 250,00		
V 16		578330	4 250,00	V 15 ¹⁾		578328	4 250,00		
VG 16		578340	4 250,00	V 18 ¹⁾		578332	4 250,00		
V 18 ¹⁾		578332	4 250,00	V 22 ¹⁾		578334	4 250,00		
V 22 ¹⁾		578334	4 250,00	V 28		578336	4 250,00		
V 28		578336	4 250,00	V 35		578604	5 150,00		
V 35		578604	5 150,00	V 12 S (PR-2B)	Mini Z8	574748 R	3 600,00		
V 12 S (PR-2B)	Mini Z8	574748 R	3 600,00	M 15 S (PR-2B)	Mini Z8	574750 R	3 600,00		
VG 14 S (PR-2B)	Mini Z8	574750 R	3 600,00	V 15 S (PR-2B)	Mini Z8	574752 R	3 600,00		
V 15 S (PR-2B)	Mini Z8	574752 R	3 600,00	V 18 S (PR-2B)	Mini Z8	574754 R	3 600,00		
VG 16 S (PR-2B)	Mini Z8	574754 R	3 600,00	V 22 S (PR-2B)	Mini Z8	574756 R	3 600,00		
V 18 S (PR-2B)	Mini Z8	574756 R	3 600,00	V 28 S (PR-2B)	Mini Z8	574758 R	3 600,00		
V 22 S (PR-2B)	Mini Z8	574758 R	3 600,00	V 35 S (PR-2B)	Mini Z8	574760 R	3 960,00		
V 28 S (PR-2B)	Mini Z8	574760 R	3 600,00						
V 35 S (PR-2B)	Mini Z8	574762 R	3 960,00						

Pressfitting systems for gas installations may only be pressed with the pressing tongs Mini which are highlighted in yellow in the table.

Observe the national regulations. Read and observe the system provider's/manufacture's instructions for use and assembly instructions.

** Can also be driven by the ROLLER'S Easy-Press manual radial press using the Z8 adapter tongs, see page 90. Observe the national regulations.

¹⁾ Only pressing tongs from designation "108" (1st quarter of 2008), "208" (2nd quarter of 2008) etc. can be used. The designation is stamped on every pressing jaw.

²⁾ For accommodating suitable pressing inserts.

³⁾ Only pressing tongs from designation "117" (1st quarter of 201), "217" (2nd quarter of 2017) etc. can be used. The designation is stamped on every pressing jaw.

⁴⁾ For pipes with the EN technical standard. Observe the system provider's/manufacture's instructions for use.

⁵⁾ Only use Mini pressing tongs identified by "VMP ½" G" on the pressing jaws for gas installations.

⁷⁾ Previous designation: Mini C 26 pressing tongs

⁹⁾ For pipes with the ASTM technical standard. Observe the system provider's/manufacture's instructions for use.

Suitability of the ROLLER'S pressing tools for pressfitting systems: Status 27.10.2023. The current status can be found on the Internet:

www.albert-roller.de → Downloads → Product Catalogues, Brochures → ROLLER Catalogue.

See page 79 for adapter tongs. Pressing tongs/pressing rings for other press fitting systems on request.

System	Pressing tongs Mini/pressing rings	Drive with adapter tongs	Art.-No.	Kč
WEM	U 16		578374	4 790,00
WIELAND-WERKE cuprotherm CTX	TH 14		578348	5 120,00
	TH 16		578352 R	5 120,00
	TH 14 S (PR-2B)**	Mini Z8	574778 R	3 600,00
	TH 16 S (PR-2B)**	Mini Z8	574782 R	3 600,00
WKS-Press	TH 14		578348	5 120,00
	TH 16		578352 R	5 120,00
	TH 17		578354	5 120,00
	TH 20		578358 R	5 120,00
	TH 26		578362 R	5 120,00
	TH 32		578364	5 120,00
	TH 40		578624	6 790,00
	WÜRTH Würth	TH 16		578352 R
TH 20		578358 R	5 120,00	
TH 26		578362 R	5 120,00	
HE 32		578370 R	6 130,00	

X

XtraConnect	F 16		578456	4 880,00
	F 20		578460	4 880,00
	F 26		578462	5 280,00
	F 32		578464	5 280,00
	F 16 S (PR-2B)**	Mini Z8	574728 R	3 600,00
	F 20 S (PR-2B)**	Mini Z8	574730 R	3 600,00
	F 26 S (PR-2B)**	Mini Z8	574732 R	3 600,00
	F 32 S (PR-2B)	Mini Z8	574734 R	3 960,00
	H 16		578400	4 620,00
	H 20		578406	4 620,00
	H 26		578410	4 620,00
	H 32		578412	4 620,00
	TH 16		578352 R	5 120,00
	TH 20		578358 R	5 120,00
	TH 26		578362 R	5 120,00
	TH 32		578364	5 120,00
	TH 16 S (PR-2B)**	Mini Z8	574782 R	3 600,00
	TH 20 S (PR-2B)**	Mini Z8	574788 R	3 600,00
	TH 26 S (PR-2B)**	Mini Z8	574794 R	3 600,00
	TH 32 S (PR-2B)	Mini Z8	574798 R	3 960,00
	U 16		578374	4 790,00
	U 20		578378	4 790,00
	(DN 26) U 25		578380	4 790,00
	U 32		578382	5 620,00
	VP 16		578482	5 110,00
	VP 20		578484	5 110,00
	VP 32		578488	5 650,00

Y

YX COPPER	Yz 16 UNI	578740	5 340,00
UNIPEX Water & Gas (AUS)	Yz 20 UNI	578742	5 340,00
	Yz 25 UNI	578744	5 340,00
	Yz 32 UNI	578746	5 340,00

System	Pressing tongs Mini/pressing rings	Drive with adapter tongs	Art.-No.	Kč
Z				
ZEWOTHERM Zewo Press Premium	TH 12		578346	5 120,00
	TH 16		578352 R	5 120,00
	TH 17		578354	5 120,00
	TH 18		578356	5 120,00
	TH 20		578358 R	5 120,00
	TH 26		578362 R	5 120,00
	TH 32		578364	5 120,00
	TH 40		578624	6 790,00
	TH 12 S (PR-2B)**	Mini Z8	574776 R	3 600,00
	TH 16 S (PR-2B)**	Mini Z8	574782 R	3 600,00
	TH 17 S (PR-2B)**	Mini Z8	574784 R	3 600,00
	TH 18 S (PR-2B)**	Mini Z8	574786 R	3 600,00
	TH 20 S (PR-2B)**	Mini Z8	574788 R	3 600,00
	TH 26 S (PR-2B)**	Mini Z8	574794 R	3 600,00
TH 32 S (PR-2B)	Mini Z8	574798 R	3 960,00	
ZEWOTHERM Zewo Press PPSU	TH 16		578352 R	5 120,00
	TH 20		578358 R	5 120,00
	TH 26		578362 R	5 120,00
	TH 32		578364	5 120,00
	TH 16 S (PR-2B)**	Mini Z8	574782 R	3 600,00
	TH 20 S (PR-2B)**	Mini Z8	574788 R	3 600,00
	TH 26 S (PR-2B)**	Mini Z8	574794 R	3 600,00
	TH 32 S (PR-2B)	Mini Z8	574798 R	3 960,00
ZURN	US ¾"		578534	5 820,00
INDUSTRIES	US ½"		578536	5 820,00
ZURN PEX	US ¾"		578538	5 820,00
	US 1"		578540	5 820,00

Pressfitting systems for gas installations may only be pressed with the pressing tongs Mini which are highlighted in yellow in the table.

Observe the national regulations. Read and observe the system provider's/manufacturer's instructions for use and assembly instructions.

** Can also be driven by the ROLLER'S Easy-Press manual radial press using the Z8 adapter tongs, see page 90. Observe the national regulations.

¹⁾ Only pressing tongs from designation "108" (1st quarter of 2008), "208" (2nd quarter of 2008) etc. can be used. The designation is stamped on every pressing jaw.

²⁾ For accommodating suitable pressing inserts.

³⁾ Only pressing tongs from designation "117" (1st quarter of 201), "217" (2nd quarter of 2017) etc. can be used. The designation is stamped on every pressing jaw.

⁴⁾ For pipes with the EN technical standard. Observe the system provider's/manufacturer's instructions for use.

⁶⁾ Only use Mini pressing tongs identified by "VMP ½" G" on the pressing jaws for gas installations.

⁷⁾ Previous designation: Mini C 26 pressing tongs

⁸⁾ For pipes with the ASTM technical standard. Observe the system provider's/manufacturer's instructions for use.

Suitability of the ROLLER'S pressing tools for pressfitting systems: Status 27.10.2023. The current status can be found on the Internet:

www.albert-roller.de → Downloads → Product Catalogues, Brochures → ROLLER Catalogue.

See page 79 for adapter tongs. Pressing tongs/pressing rings for other press fitting systems on request.



Accessories	Art.-No.	Kč
Adapter tongs Mini Z8 for driving the ROLLER'S pressing rings S (PR-2B)	574700 R	4 170,00
Steel case with inlay for 8 pressing tongs Mini / cropping tongs Mini and shelf for pipe cutter up to Ø 42 mm	578295 A	2 790,00
Steel case with inlay for Mini Z8 adapter tongs and Z8 adapter tongs as well as 6 ROLLER'S pressing rings S (PR-2B)	574516 A	2 790,00
L-Boxx system case with inlay for 11 pressing tongs Mini / cropping tongs Mini and 6 pressing rings S (PR-2B)	578659 A	4 240,00
L-Boxx system case with inlay for Mini Z8 adapter tongs and Z8 adapter tongs as well as 14 ROLLER'S pressing rings S (PR-2B)	574704 A	4 240,00