

ROLLER'S *Polo*

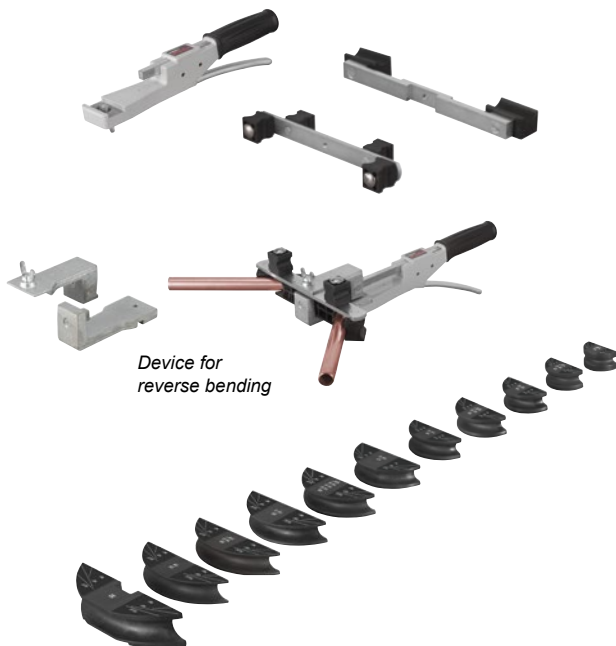


German Top Quality



Practical, ultra handy, ultra light compact one-handed pipe bender for soft copper pipes \varnothing 10–22 mm, \varnothing $\frac{3}{8}$ – $\frac{7}{8}$ ", $s \leq 1.0$ mm, **soft jacketed copper pipes \varnothing 10–18 mm, \varnothing $\frac{3}{8}$ – $\frac{5}{8}$ "**, $s \leq 1.0$ mm, **soft coated carbon steel pipes of the press fitting systems \varnothing 12–18 mm, $s \leq 1.2$ mm, soft precision steel pipes \varnothing 10–18 mm, $s \leq 1.0$ mm. Multi-layer composite pipes \varnothing 14–32 mm.** (s = wall thickness)

- For simple and dimensionally accurate bending of soft pipes, up to 90°. Also for bridges, doglegs. Universally usable for many pipe types in the fields of sanitary, heating, air conditioning, cooling and hydraulics technologies.
- Bender is amortised after just a few bends by saving on fittings. No costs for fittings, storage, procurement. Saving on pipe unions. Increased safety due to fewer pipe connections.
- Stable, robust drive unit with proven ratchet feed, for the entire working range up to \varnothing 32 mm.
- Practical multifunction lever for fast feed and fast return for ultra fast working.
- Can be used anywhere, handy, light, drive unit only 0.9 kg.
- Back former support S \varnothing 10–26 mm, rotatable according to the size of pipe inserted for bending, with back formers for pipes \varnothing 10–26 mm, $\frac{3}{8}$ – $\frac{7}{8}$ ". Back former support \varnothing 32 mm with back formers \varnothing 32 mm pipes.
- Device for reverse bending on laid pipes up to \varnothing 26 mm, $\frac{3}{8}$ " (accessory).
- Angle scale on each bending former for dimensionally accurate bending.
- High sliding bending formers of high strength, glass fibre reinforced polyamide, easily changeable. See page 45.
- Also ideal for thin-walled heating pipes and area heating pipes made of copper according to EN 1057.



Device for reverse bending

ROLLER'S Polo Set

Up to Ø 26 mm with drive unit, bending formers, back former support S Ø 10–26 mm with back formers, in steel case/carrying case.

Up to Ø 32 mm with drive unit, bending formers, back former support S Ø 10–26 mm with back formers, back former support Ø 32 mm with back formers, in case.

Set 12+15+18+22	½+⅙+⅜+⅚"	153025 A	381,00
Set 10+12+15+18+22	⅜+½+⅝+¾+⅞"	153021 A	399,00
Set 12+14+16+18+22		153020 A	399,00
Set Allround 22			
10+12+14+15+16+17+18+20+22	⅜+½+⅝+¾+⅞"	153027 A	520,00
Set 14+16+20+25/26		153026 A	381,00
Set 14+16+18+20+25/26		153022 A	399,00
Set 16+20+25/26+32		153029 A	610,00
Set 16+18+20+25/26+32		153023 A	650,00
Set Allround 32			
10+12+14+15+16+17+18+20+22+25/26+32	⅜+½+⅝+¾+⅞"	153028 A	730,00

Accessories

ROLLER'S Polo inlay for drive unit	153100 A	163,00
Back former support S Ø 10–26 mm with back formers for pipes Ø 10–26 mm, ⅜–⅞"	153125 RX	65,70
Back former support Ø 32 mm with back formers for Ø 32 mm pipes	153115 RX2	142,00
Device for reverse bending on laid pipes up to Ø 26 mm, ⅞"	153140	164,00
Steel case with inlay	153265 A	58,40
Case with inlay	153270 A	115,00

for pipes Ø mm/inch O.D.	Bending radius mm	Suitable for					Art.-No.	€
		Cu	Cu-U	St 10305-U	St 10305	V		
10, ⅜"	30	•			•		153155 R	34,00
12, 10 U, ½"	36	•	•		•		153160 R	34,00
14, 12 U	50	•		•	•		153170 R	34,00
15, 12 U, ⅝"	55	•	•		•		153175 R	34,00
16, 14 U	55	•	•		•	•	153180 R	34,00
17, 15 U	60			•		•	153185 R	34,00
18, 14 U, 15 U, 16 U, ¾"	72	•	•		•	•	153190 R	34,00
20, 18 U	79	•	•	•		•	153195 R	34,00
22, 18 U, ⅞"	86	•	•				153200 R	34,00
25, 26	88					•	153205 R	34,00
32	128					•	153210 R	63,90

¹⁾ Bending radius mm at the neutral axis of the bend (DVGW GW 392)

Cu: soft copper tubes, also thin-walled

St 10305-U: soft coated carbon steel pipes of the pressfitting systems EN 10305-3

St 10305: soft precision steel pipes EN 10305-1, EN 10305-2, EN 10305-3

U: jacketed

V: composite tubes of the pressfitting systems