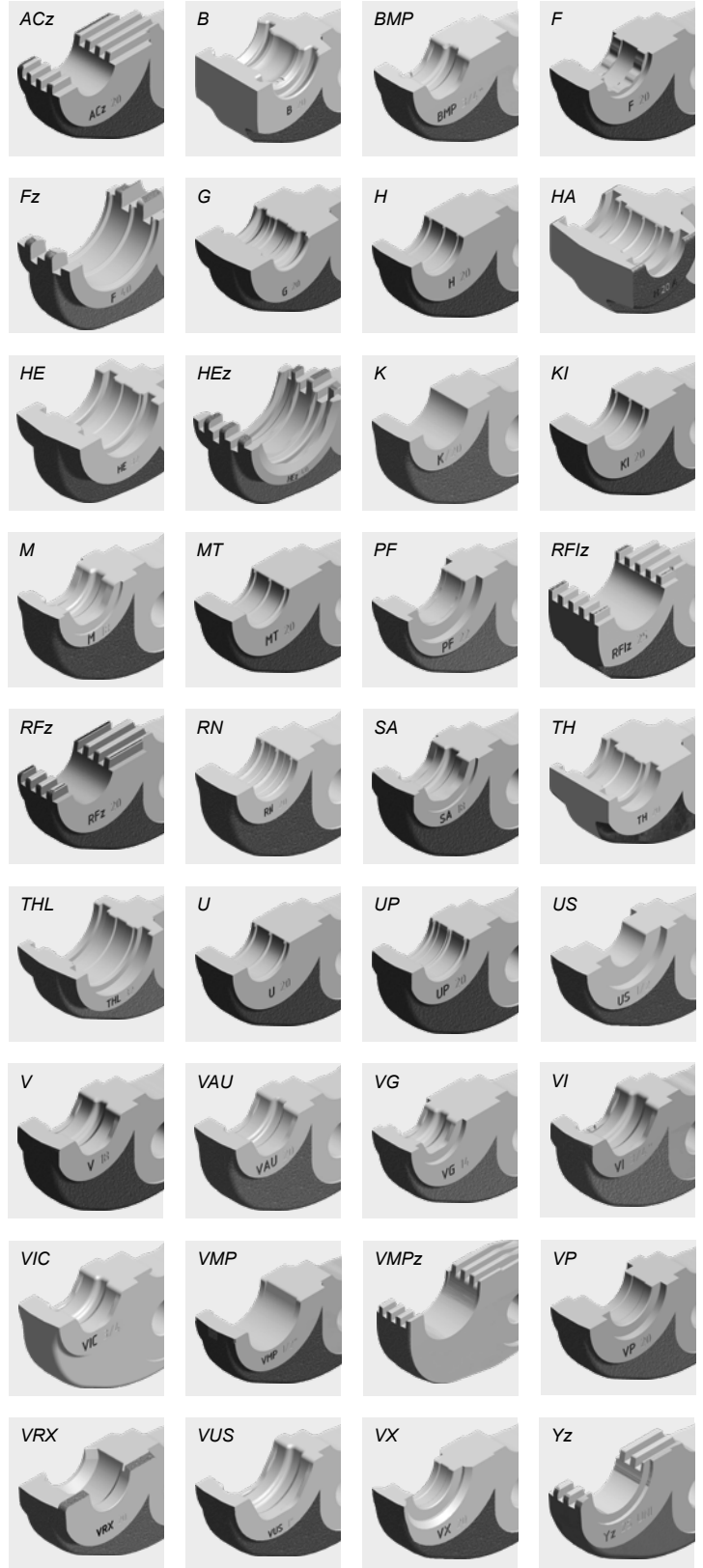


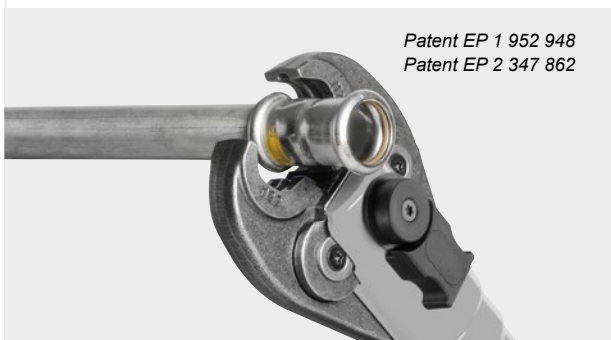
ROLLER'S *pressing tongs Mini* ROLLER'S *pressing rings*



German Top Quality



ROLLER'S Mini pressing tongs (2B)
with 2 tiltable monoblock pressing jaws.



Patent EP 1 952 948
Patent EP 2 347 862

ROLLER'S pressing tongs Mini ACz / Fz / HEz / RFz / RFlz
with teeth prevent burr formation on the pressing segments

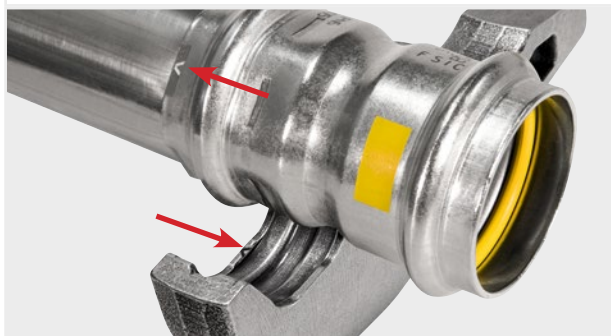


Patent EP 2 027 971

ROLLER'S pressing ring S (PR-2B), continuously swivelable for accurate positioning of the pressing jaws in places with difficult access.



Example: ROLLER'S Mini V pressing tongs: Impression "V"
on pressed fitting for traceability according to EN 1775:2007



Accessory for ROLLER'S 22 kN radial presses:

System-specific pressing tongs Mini / pressing rings for all common press fitting systems.

- Can be driven by all ROLLER'S 22 kN radial presses. Read and follow the instructions for use and assembly instructions of the system provider/ manufacturer.
- **Choose your own pressing tongs Mini / pressing rings!** Just select the desired pressfitting system and pressing tongs size / pressing ring size in the table on pages 60–89. Please note that pressfitting systems for gas installation may only be pressed with the pressing tongs Mini which are highlighted in yellow in the table.
- **ROLLER'S Mini pressing tongs (2B)**
Very compact design and low weight of the ROLLER'S Mini pressing tongs (2B) due to special arrangement of the pressing tongs connection (**Patent EP 1 952 948**).
Recesses in the pressing jaws for safe guidance of the connecting lugs for offset-free pressing (**Patent EP 2 347 862**).
ROLLER'S Mini ACz/Fz/HEz/RFz/RFlz pressing tongs with teeth prevent burr formation on the pressfitting (**Patent EP 2 027 971**).
- **ROLLER'S pressing ring S (PR-2B)**
Pressing ring S (PR-2B), with 2 pressing jaws, continuously swivelable for accurate positioning of the pressing jaws in places with difficult access. Adapter tongs required, see page 89. All pressing rings S (PR-2B) marked with ** can also be driven with the manual radial press ROLLER'S Easy-Press (page 90) using the adapter tong Z8.
- Precisely worked and exactly rounded, system-specific press contour according to the respective pressfitting system for perfectly system-conformant, reliable pressing.
- The pressing tongs / pressing rings are made from tenacious, specially hardened special steel and they are therefore highly resistant. For maximum quality demands and long life.
- Confirmations of suitability see page 52.
- SHK liability acceptance agreements see page 53.

Traceability according to EN 1775:2007.

- ROLLER'S pressing tongs Mini with press contour F, M, V, SA, B, RN and UP have worked a specific marking in the press contour which leaves a lasting impression directly on the pressed fitting after the pressing process. This enables the user to check again whether the most suitable pressing tongs Mini have been used to make the pressfit connection even after the pressing process.
- With this traceability ROLLER fulfils the recommendation of the European standard EN 1775:2007 for the installation of pressfitting systems for gas.

ROLLER'S pressing tongs Mini / pressing rings

Accessory for ROLLER'S 22kN radial presses

System	Pressing tongs Mini/pressing rings	Drive with adapter tongs	Art.-No.	€
A				
Aalberts integrated piping systems	U 14		578372	185,00
VSH MultiPress	U 16		578374	176,00
	U 20		578378	176,00
	U 25		578380	176,00
	U 32		578382	206,00
	U 40		578386	251,00
	TH 14		578348	188,00
	TH 16		578352 R	188,00
	TH 20		578358 R	188,00
	TH 25		578360	188,00
	TH 32		578364	188,00
	TH 40		578624	249,00
	TH 14 S (PR-2B)**	Mini Z8	574778 R	132,00
	TH 16 S (PR-2B)**	Mini Z8	574782 R	132,00
	TH 20 S (PR-2B)**	Mini Z8	574788 R	132,00
	TH 25 S (PR-2B)**	Mini Z8	574792 R	132,00
	TH 32 S (PR-2B)	Mini Z8	574798 R	146,00
Aalberts integrated piping systems	U 16		578374	176,00
VSH MultiPress Gas	U 20		578378	176,00
	U 25		578380	176,00
	TH 16		578352 R	188,00
	TH 20		578358 R	188,00
	TH 16 S (PR-2B)**	Mini Z8	574782 R	132,00
	TH 20 S (PR-2B)**	Mini Z8	574788 R	132,00
Aalberts integrated piping systems	V 12		578324	156,00
VSH SudoPress Carbon	V 15		578328	156,00
	V 18		578332	156,00
	V 22		578334	156,00
	V 28		578336	156,00
	V 35		578604	189,00
	V 12 S (PR-2B)	Mini Z8	574748 R	132,00
	V 15 S (PR-2B)	Mini Z8	574752 R	132,00
	V 18 S (PR-2B)	Mini Z8	574756 R	132,00
	V 22 S (PR-2B)	Mini Z8	574758 R	132,00
	V 28 S (PR-2B)	Mini Z8	574760 R	132,00
	V 35 S (PR-2B)	Mini Z8	574762 R	146,00
Aalberts integrated piping systems	V 12		578324	156,00
VSH SudoPress Carbon	V 14		578326	156,00
	VG 14		578338	156,00
	V 15		578328	156,00
	V 16		578330	156,00
	VG 16		578340	156,00
	V 18		578332	156,00
	V 22		578334	156,00
	V 28		578336	156,00
	V 35		578604	189,00
	V 12 S (PR-2B)	Mini Z8	574748 R	132,00
	V 14 S (PR-2B)	Mini Z8	574800 R	132,00
	VG 14 S (PR-2B)	Mini Z8	574750 R	132,00
	V 15 S (PR-2B)	Mini Z8	574752 R	132,00
	V 16 S (PR-2B)	Mini Z8	574802 R	132,00
	VG 16 S (PR-2B)	Mini Z8	574754 R	132,00
	V 18 S (PR-2B)	Mini Z8	574756 R	132,00
	V 22 S (PR-2B)	Mini Z8	574758 R	132,00
	V 28 S (PR-2B)	Mini Z8	574760 R	132,00
	V 35 S (PR-2B)	Mini Z8	574762 R	146,00
Aalberts integrated piping systems	V 12		578324	156,00
VSH SudoPress Carbon	V 14		578326	156,00
Gas	VG 14		578338	156,00
	V 15		578328	156,00
	V 16		578330	156,00
	VG 16		578340	156,00
	V 18		578332	156,00
	V 22		578334	156,00
	V 28		578336	156,00
	V 35		578604	189,00
	V 12 S (PR-2B)	Mini Z8	574748 R	132,00
	V 14 S (PR-2B)	Mini Z8	574800 R	132,00
	VG 14 S (PR-2B)	Mini Z8	574750 R	132,00
	V 15 S (PR-2B)	Mini Z8	574752 R	132,00
	V 16 S (PR-2B)	Mini Z8	574802 R	132,00
	VG 16 S (PR-2B)	Mini Z8	574754 R	132,00
	V 18 S (PR-2B)	Mini Z8	574756 R	132,00
	V 22 S (PR-2B)	Mini Z8	574758 R	132,00
	V 28 S (PR-2B)	Mini Z8	574760 R	132,00
	V 35 S (PR-2B)	Mini Z8	574762 R	146,00
Aalberts integrated piping systems	V 15		578328	156,00
VSH SudoPress	V 18		578332	156,00
Stainless	V 22		578334	156,00
	V 28		578336	156,00
	V 35		578604	189,00
	V 15 S (PR-2B)	Mini Z8	574752 R	132,00
	V 18 S (PR-2B)	Mini Z8	574756 R	132,00
	V 22 S (PR-2B)	Mini Z8	574758 R	132,00
	V 28 S (PR-2B)	Mini Z8	574760 R	132,00
	V 35 S (PR-2B)	Mini Z8	574762 R	146,00
Aalberts integrated piping systems	M 12		578310	156,00
VSH XPress Carbon	M 15		578312	156,00
	M 18 ⁰		578314	156,00
	M 22		578316	156,00
	M 28 ⁰		578318	156,00
	M 35		578390	189,00
	M 12 S (PR-2B)	Mini Z8	574736 R	132,00
	M 15 S (PR-2B)	Mini Z8	574738 R	132,00
	M 18 S (PR-2B)	Mini Z8	574740 R	132,00
	M 22 S (PR-2B)	Mini Z8	574742 R	132,00
	M 28 S (PR-2B)	Mini Z8	574744 R	132,00
	M 35 S (PR-2B)	Mini Z8	574746 R	146,00

System	Pressing tongs Mini/pressing rings	Drive with adapter tongs	Art.-No.	€
Aalberts integrated piping systems	M 12		578310	156,00
VSH XPress Copper	M 15		578312	156,00
	M 18 ⁰		578314	156,00
	M 22		578316	156,00
	M 28 ⁰		578318	156,00
	M 35		578390	189,00
	M 12 S (PR-2B)	Mini Z8	574736 R	132,00
	M 15 S (PR-2B)	Mini Z8	574738 R	132,00
	M 18 S (PR-2B)	Mini Z8	574740 R	132,00
	M 22 S (PR-2B)	Mini Z8	574742 R	132,00
	M 28 S (PR-2B)	Mini Z8	574744 R	132,00
	M 35 S (PR-2B)	Mini Z8	574746 R	146,00
Aalberts integrated piping systems	M 15		578312	156,00
VSH XPress Copper	M 18 ⁰		578314	156,00
Gas	M 22		578316	156,00
	M 28 ⁰		578318	156,00
	M 35		578390	189,00
	M 15 S (PR-2B)	Mini Z8	574738 R	132,00
	M 18 S (PR-2B)	Mini Z8	574740 R	132,00
	M 22 S (PR-2B)	Mini Z8	574742 R	132,00
	M 28 S (PR-2B)	Mini Z8	574744 R	132,00
	M 35 S (PR-2B)	Mini Z8	574746 R	146,00
Aalberts integrated piping systems	M 15		578312	156,00
VSH XPress Stainless	M 18 ⁰		578314	156,00
Gas	M 22		578316	156,00
	M 28 ⁰		578318	156,00
	M 35		578390	189,00
	M 15 S (PR-2B)	Mini Z8	574738 R	132,00
	M 18 S (PR-2B)	Mini Z8	574740 R	132,00
	M 22 S (PR-2B)	Mini Z8	574742 R	132,00
	M 28 S (PR-2B)	Mini Z8	574744 R	132,00
	M 35 S (PR-2B)	Mini Z8	574746 R	146,00
AC-FIX PRESS (Global Piping Systems)	H 12		578396	170,00
	H 16		578400	170,00
	H 20		578406	170,00
	H 25		578408	170,00
	H 32		578412	170,00
	RFz 12		578490	196,00
	RFz 16		578492	196,00
	RFz 20		578494	196,00
	RFz 25		578496	196,00
	RFz 32		578498	196,00
	U 16		578374	176,00
	U 20		578378	176,00
	U 25		578380	176,00
	U 32		578382	206,00
	VX 16		578552	217,00
	VX 20		578554	217,00
AC-FIX PRESS DUO (Global Piping Systems)	RFz 16		578492	196,00
	RFz 20		578494	196,00
	RFz 25		578496	196,00
	RFz 32		578498	196,00
	TH 16		578352 R	188,00
	TH 20		578358 R	188,00
	TH 25		578360	188,00
	TH 26		578362 R	188,00
	TH 32		578364	188,00
	TH 16 S (PR-2B)**	Mini Z8	574782 R	132,00
	TH 20 S (PR-2B)**	Mini Z8	574788 R	132,00
	TH 25 S (PR-2B)**	Mini Z8	574792 R	132,00
	TH 26 S (PR-2B)**	Mini Z8	574794 R	132,00
	TH 32 S (PR-2B)	Mini Z8	574798 R	146,00
	U 16		578374	176,00
	U 20		578378	176,00
	U 25		578380	176,00
	U 32		578382	206,00
AC-FIX PRESS-MULTI (Global Piping Systems)	H 16		578400	170,00
	H 18		578404	170,00
	H 20		578406	170,00
	H 25		578408	170,00
	H 32		578412	170,00
	RFz 16		578492	196,00
	RFz 20		578494	196,00
	RFz 25		578496	196,00
	RFz 32		578498	196,00
	U 16		578374	176,00
	U 18		578376	176,00
	U 20		578378	176,00
	U 25		578380	176,00
	U 32		578382	206,00
ACOME MT	ACz 12		578608	196,00
	ACz 16		578610	196,00
	ACz 20		578612	196,00
	ACz 25		578614	196,00

System	Pressing tongs Mini/pressing rings	Drive with adapter tongs	Art.-No.	€	System	Pressing tongs Mini/pressing rings	Drive with adapter tongs	Art.-No.	€
AHLSSELL	M 12		578310	156,00	ALB	TH 16		578352 R	188,00
A-press	M 15		578312	156,00	Sistema Multicapa	TH 18		578356	188,00
elförzinkad M	M 18		578314	156,00	para calefacción y	TH 20		578358 R	188,00
	M 22		578316	156,00	sanitario	TH 26		578362 R	188,00
	M 28		578318	156,00		TH 32		578364	188,00
	M 35		578390	189,00		TH 40		578624	249,00
	M 12 S (PR-2B)	Mini Z8	574736 R	132,00		TH 16 S (PR-2B)**	Mini Z8	574782 R	132,00
	M 15 S (PR-2B)	Mini Z8	574738 R	132,00		TH 18 S (PR-2B)**	Mini Z8	574786 R	132,00
	M 18 S (PR-2B)	Mini Z8	574740 R	132,00		TH 20 S (PR-2B)**	Mini Z8	574788 R	132,00
	M 22 S (PR-2B)	Mini Z8	574742 R	132,00		TH 26 S (PR-2B)**	Mini Z8	574794 R	132,00
	M 28 S (PR-2B)	Mini Z8	574744 R	132,00		TH 32 S (PR-2B)	Mini Z8	574798 R	146,00
	M 35 S (PR-2B)	Mini Z8	574746 R	146,00		H 16		578400	170,00
AHLSSELL	V 12		578324	156,00		H 18		578404	170,00
A-press	V 15		578328	156,00		H 20		578406	170,00
elförzinkad V	V 18		578332	156,00		H 26		578410	170,00
	V 22		578334	156,00		H 32		578412	170,00
	V 28		578336	156,00		U 16		578374	176,00
	V 35		578604	189,00		U 18		578376	176,00
	V 12 S (PR-2B)	Mini Z8	574748 R	132,00		U 20		578378	176,00
	V 15 S (PR-2B)	Mini Z8	574752 R	132,00		U 26 ⁷⁾		578392	206,00
	V 18 S (PR-2B)	Mini Z8	574756 R	132,00		U 32		578382	206,00
	V 22 S (PR-2B)	Mini Z8	574758 R	132,00		U 40		578386	251,00
	V 28 S (PR-2B)	Mini Z8	574760 R	132,00					
	V 35 S (PR-2B)	Mini Z8	574762 R	146,00	ALB	TH 16		578352 R	188,00
AHLSSELL	M 12		578310	156,00	Sistema Multicapa	TH 20		578358 R	188,00
A-press koppar M	M 15		578312	156,00	para gas	TH 26		578362 R	188,00
	M 18		578314	156,00		TH 32		578364	188,00
	M 22		578316	156,00		TH 16 S (PR-2B)**	Mini Z8	574782 R	132,00
	M 28		578318	156,00		TH 20 S (PR-2B)**	Mini Z8	574788 R	132,00
	M 35		578390	189,00		TH 26 S (PR-2B)**	Mini Z8	574794 R	132,00
	M 12 S (PR-2B)	Mini Z8	574736 R	132,00		TH 32 S (PR-2B)	Mini Z8	574798 R	146,00
	M 15 S (PR-2B)	Mini Z8	574738 R	132,00		H 16		578400	170,00
	M 18 S (PR-2B)	Mini Z8	574740 R	132,00		H 20		578406	170,00
	M 22 S (PR-2B)	Mini Z8	574742 R	132,00		H 26		578410	170,00
	M 28 S (PR-2B)	Mini Z8	574744 R	132,00		H 32		578412	170,00
	M 35 S (PR-2B)	Mini Z8	574746 R	146,00		U 16		578374	176,00
AHLSSELL	V 12		578324	156,00		U 20		578378	176,00
A-press koppar V	V 15		578328	156,00		U 26 ⁷⁾		578392	206,00
	V 18		578332	156,00		U 32		578382	206,00
	V 22		578334	156,00					
	V 28		578336	156,00	ALTECH Altech	RFz 12		578490	196,00
	V 35		578604	189,00		RFz 16		578492	196,00
	V 12 S (PR-2B)	Mini Z8	574748 R	132,00		RFz 20		578494	196,00
	V 15 S (PR-2B)	Mini Z8	574752 R	132,00		RFz 25		578496	196,00
	V 18 S (PR-2B)	Mini Z8	574756 R	132,00					
	V 22 S (PR-2B)	Mini Z8	574758 R	132,00	APE MULTYGAS	TH 16		578352 R	188,00
	V 28 S (PR-2B)	Mini Z8	574760 R	132,00	Serie AP Gas	TH 20		578358 R	188,00
	V 35 S (PR-2B)	Mini Z8	574762 R	146,00		TH 26		578362 R	188,00
AHLSSELL	M 15		578312	156,00		TH 32		578364	188,00
A-press rostfritt	M 18		578314	156,00		TH 16 S (PR-2B)**	Mini Z8	574782 R	132,00
	M 22		578316	156,00		TH 20 S (PR-2B)**	Mini Z8	574788 R	132,00
	M 28		578318	156,00		TH 26 S (PR-2B)**	Mini Z8	574794 R	132,00
	M 35		578390	189,00		TH 32 S (PR-2B)	Mini Z8	574798 R	146,00
	M 15 S (PR-2B)	Mini Z8	574738 R	132,00	APE Serie AP	B 16		578468	205,00
	M 18 S (PR-2B)	Mini Z8	574740 R	132,00		B 20		578472	205,00
	M 22 S (PR-2B)	Mini Z8	574742 R	132,00		B 26		578474	226,00
	M 28 S (PR-2B)	Mini Z8	574744 R	132,00		B 32		578476	226,00
	M 35 S (PR-2B)	Mini Z8	574746 R	146,00		H 16		578400	170,00
AIRBEL	M 15		578312	156,00		H 20		578406	170,00
PRESSCLIM	M 18		578314	156,00		H 26		578410	170,00
	M 22		578316	156,00		H 32		578412	170,00
	M 28		578318	156,00		TH 16		578352 R	188,00
	M 35		578390	189,00		TH 18		578356	188,00
	M 15 S (PR-2B)	Mini Z8	574738 R	132,00		TH 20		578358 R	188,00
	M 18 S (PR-2B)	Mini Z8	574740 R	132,00		TH 26		578362 R	188,00
	M 22 S (PR-2B)	Mini Z8	574742 R	132,00		TH 32		578364	188,00
	M 28 S (PR-2B)	Mini Z8	574744 R	132,00		TH 16 S (PR-2B)**	Mini Z8	574782 R	132,00
	M 35 S (PR-2B)	Mini Z8	574746 R	146,00		TH 18 S (PR-2B)**	Mini Z8	574786 R	132,00
AIRBEL	M 15		578312	156,00		TH 20 S (PR-2B)**	Mini Z8	574788 R	132,00
SERTINOX	M 18		578314	156,00		TH 26 S (PR-2B)**	Mini Z8	574794 R	132,00
	M 22		578316	156,00		TH 32 S (PR-2B)	Mini Z8	574798 R	146,00
	M 28		578318	156,00		U 16		578374	176,00
	M 35		578390	189,00		U 20		578378	176,00
	M 15 S (PR-2B)	Mini Z8	574738 R	132,00					
	M 18 S (PR-2B)	Mini Z8	574740 R	132,00					
	M 22 S (PR-2B)	Mini Z8	574742 R	132,00					
	M 28 S (PR-2B)	Mini Z8	574744 R	132,00					
	M 35 S (PR-2B)	Mini Z8	574746 R	146,00					

Pressfitting systems for gas installations may only be pressed with the pressing tongs Mini which are highlighted in yellow in the table.

Observe the national regulations. Read and observe the system provider's/manufacture's instructions for use and assembly instructions.

** Can also be driven by the ROLLER'S Easy-Press manual radial press using the Z8 adapter tongs, see page 90. Observe the national regulations.

¹⁾ Only pressing tongs from designation "108" (1st quarter of 2008), "208" (2nd quarter of 2008) etc. can be used. The designation is stamped on every pressing jaw.

²⁾ For accommodating suitable pressing inserts.

³⁾ Only pressing tongs from designation "117" (1st quarter of 201), "217" (2nd quarter of 2017) etc. can be used. The designation is stamped on every pressing jaw.

⁴⁾ For pipes with the EN technical standard. Observe the system provider's/manufacture's instructions for use.

⁶⁾ Only use Mini pressing tongs identified by "VMP ½" G" on the pressing jaws for gas installations.

⁷⁾ Previous designation: Mini C 26 pressing tongs

⁵⁾ For pipes with the ASTM technical standard. Observe the system provider's/manufacture's instructions for use.

Suitability of the ROLLER'S pressing tools for pressfitting systems: Status 27.10.2023. The current status can be found on the Internet:

www.albert-roller.de → Downloads → Product Catalogues, Brochures → ROLLER Catalogue.

See page 79 for adapter tongs. Pressing tongs/pressing rings for other press fitting systems on request.

System	Pressing tongs Mini/pressing rings	Drive with adapter tongs	Art.-No.	€	System	Pressing tongs Mini/pressing rings	Drive with adapter tongs	Art.-No.	€		
APE Serie APL	H 16		578400	170,00	ASSOTHERM	M 15		578312	156,00		
	H 18		578404	170,00		IPI-RAX	M 18		578314	156,00	
	H 20		578406	170,00		Inox	M 22		578316	156,00	
	H 25		578408	170,00			M 28		578318	156,00	
	H 26		578410	170,00		M 35		578390	189,00		
	H 32		578412	170,00		M 15 S (PR-2B)	Mini Z8	574738 R	132,00		
	TH 16		578352 R	188,00		M 18 S (PR-2B)	Mini Z8	574740 R	132,00		
	TH 18		578356	188,00		M 22 S (PR-2B)	Mini Z8	574742 R	132,00		
	TH 20		578358 R	188,00		M 28 S (PR-2B)	Mini Z8	574744 R	132,00		
	TH 25		578360	188,00		M 35 S (PR-2B)	Mini Z8	574746 R	146,00		
	TH 26		578362 R	188,00		ASSOTHERM	M 15		578312	156,00	
	TH 32		578364	188,00			IPI-RAX	M 18		578314	156,00
	TH 16 S (PR-2B)**	Mini Z8	574782 R	132,00			Inox Gas	M 22		578316	156,00
	TH 18 S (PR-2B)**	Mini Z8	574786 R	132,00				M 28		578318	156,00
	TH 20 S (PR-2B)**	Mini Z8	574788 R	132,00			M 35		578390	189,00	
	TH 25 S (PR-2B)**	Mini Z8	574792 R	132,00			M 15 S (PR-2B)	Mini Z8	574738 R	132,00	
	TH 26 S (PR-2B)**	Mini Z8	574794 R	132,00			M 18 S (PR-2B)	Mini Z8	574740 R	132,00	
	TH 32 S (PR-2B)	Mini Z8	574798 R	146,00			M 22 S (PR-2B)	Mini Z8	574742 R	132,00	
	U 16		578374	176,00			M 28 S (PR-2B)	Mini Z8	574744 R	132,00	
	U 18		578376	176,00			M 35 S (PR-2B)	Mini Z8	574746 R	146,00	
U 20		578378	176,00	ASSOTHERM	H 16		578400	170,00			
AQUATECHNIK Press-fitting metal	H 16		578400		170,00	IPM-Multistrato	H 20		578406	170,00	
	H 20		578406		170,00		H 26		578410	170,00	
	H 26		578410		170,00		H 32		578412	170,00	
	H 32		578412		170,00		TH 16		578352 R	188,00	
	TH 16		578352 R		188,00		TH 20		578358 R	188,00	
	TH 20		578358 R		188,00		TH 26		578362 R	188,00	
	TH 26		578362 R		188,00		TH 32		578364	188,00	
	TH 32		578364		188,00		THL 32		578368	188,00	
	TH 16 S (PR-2B)**	Mini Z8	574782 R		132,00		TH 40		578624	249,00	
	TH 20 S (PR-2B)**	Mini Z8	574788 R	132,00	TH 16 S (PR-2B)**		Mini Z8	574782 R	132,00		
TH 26 S (PR-2B)**	Mini Z8	574794 R	132,00	TH 20 S (PR-2B)**	Mini Z8	574788 R	132,00				
TH 32 S (PR-2B)	Mini Z8	574798 R	146,00	TH 26 S (PR-2B)**	Mini Z8	574794 R	132,00				
U 16		578374	176,00	TH 32 S (PR-2B)	Mini Z8	574798 R	146,00				
U 20		578378	176,00	U 16		578374	176,00				
U 26 ⁷⁾		578392	206,00	U 20		578378	176,00				
U 32		578382	206,00	U 26 ⁷⁾		578392	206,00				
AQUATECHNIK Universal	B 16		578468	205,00	ASSOTHERM	M 15		578312	156,00		
	B 20		578472	205,00		IPR-RRR	M 18		578314	156,00	
	B 26		578474	226,00			Copper	M 22		578316	156,00
	B 32		578476	226,00		M 28			578318	156,00	
	F 16		578456	179,00		M 35		578390	189,00		
	F 20		578460	179,00		M 15 S (PR-2B)	Mini Z8	574738 R	132,00		
	F 26		578462	194,00		M 18 S (PR-2B)	Mini Z8	574740 R	132,00		
	F 32		578464	194,00		M 22 S (PR-2B)	Mini Z8	574742 R	132,00		
	F 16 S (PR-2B)**	Mini Z8	574728 R	132,00		M 28 S (PR-2B)	Mini Z8	574744 R	132,00		
	F 20 S (PR-2B)**	Mini Z8	574730 R	132,00		M 35 S (PR-2B)	Mini Z8	574746 R	146,00		
	F 26 S (PR-2B)**	Mini Z8	574732 R	132,00	ASSOTHERM	M 15		578312	156,00		
	F 32 S (PR-2B)	Mini Z8	574734 R	146,00		IPR-RRR	M 18		578314	156,00	
	H 16		578400	170,00			Copper Gas	M 22		578316	156,00
	H 20		578406	170,00		M 28			578318	156,00	
	H 26		578410	170,00		M 35		578390	189,00		
	H 32		578412	170,00		M 15 S (PR-2B)	Mini Z8	574738 R	132,00		
	TH 16		578352 R	188,00		M 18 S (PR-2B)	Mini Z8	574740 R	132,00		
	TH 20		578358 R	188,00		M 22 S (PR-2B)	Mini Z8	574742 R	132,00		
	TH 26		578362 R	188,00		M 28 S (PR-2B)	Mini Z8	574744 R	132,00		
	TH 32		578364	188,00		M 35 S (PR-2B)	Mini Z8	574746 R	146,00		
TH 16 S (PR-2B)**	Mini Z8	574782 R	132,00	ASSOTHERM	M 15		578312	156,00			
TH 20 S (PR-2B)**	Mini Z8	574788 R	132,00		IPR-RRR	M 18		578314	156,00		
TH 26 S (PR-2B)**	Mini Z8	574794 R	132,00			Copper Gas	M 22		578316	156,00	
TH 32 S (PR-2B)	Mini Z8	574798 R	146,00		M 28			578318	156,00		
U 16		578374	176,00		M 35		578390	189,00			
U 20		578378	176,00		M 15 S (PR-2B)	Mini Z8	574738 R	132,00			
U 26 ⁷⁾		578392	206,00		M 18 S (PR-2B)	Mini Z8	574740 R	132,00			
U 32		578382	206,00		M 22 S (PR-2B)	Mini Z8	574742 R	132,00			
ARKA DUROsystem	H 16		578400		170,00	ASTM F 1807 (Fittings with Copper Crimp Ring for PEX tubing)	US 3/4"		578534	214,00	
	H 20		578406		170,00		US 1/2"		578536	214,00	
	H 25		578408	170,00	US 3/4"			578538	214,00		
	H 26		578410	170,00	US 1"			578540	214,00		
	H 32		578412	170,00	ATUSA ITALIA INSTALPRESS CARBON STEEL PRESS FITTINGS		M 15		578312	156,00	
	TH 16		578352 R	188,00			M 18		578314	156,00	
	TH 20		578358 R	188,00			M 22		578316	156,00	
	TH 25		578360	188,00			M 28		578318	156,00	
	TH 26		578362 R	188,00			M 35		578390	189,00	
	TH 32		578364	188,00			M 15 S (PR-2B)	Mini Z8	574738 R	132,00	
	TH 16 S (PR-2B)**	Mini Z8	574782 R	132,00		M 18 S (PR-2B)	Mini Z8	574740 R	132,00		
	TH 20 S (PR-2B)**	Mini Z8	574788 R	132,00		M 22 S (PR-2B)	Mini Z8	574742 R	132,00		
	TH 25 S (PR-2B)**	Mini Z8	574792 R	132,00		M 28 S (PR-2B)	Mini Z8	574744 R	132,00		
	TH 26 S (PR-2B)**	Mini Z8	574794 R	132,00		M 35 S (PR-2B)	Mini Z8	574746 R	146,00		
	TH 32 S (PR-2B)	Mini Z8	574798 R	146,00	ATUSA ITALIA INSTALPRESS STAINLESS STEEL PRESS FITTINGS	M 15		578312	156,00		
	U 16		578374	176,00		M 18		578314	156,00		
	U 20		578378	176,00		M 22		578316	156,00		
	Aschl NIR	M 15		578312		156,00	PEX-B, PEX-AL-PEX (AUS)	M 28		578318	156,00
		M 18		578314		156,00		M 35		578390	189,00
		M 22		578316		156,00	M 15 S (PR-2B)	Mini Z8	574738 R	132,00	
M 28			578318	156,00		M 18 S (PR-2B)	Mini Z8	574740 R	132,00		
M 35			578390	189,00		M 22 S (PR-2B)	Mini Z8	574742 R	132,00		
M 15 S (PR-2B)		Mini Z8	574738 R	132,00		M 28 S (PR-2B)	Mini Z8	574744 R	132,00		
M 18 S (PR-2B)		Mini Z8	574740 R	132,00		M 35 S (PR-2B)	Mini Z8	574746 R	146,00		
M 22 S (PR-2B)		Mini Z8	574742 R	132,00	AUSTEC	TH 16		578352 R	188,00		
M 28 S (PR-2B)		Mini Z8	574744 R	132,00		TH 20		578358 R	188,00		
M 35 S (PR-2B)		Mini Z8	574746 R	146,00		TH 25		578360	188,00		
ASSOTHERM IPC-RAC Carbon Steel	M 15		578312	156,00		TH 32		578364	188,00		
	M 18		578314	156,00		U 16		578374	176,00		
	M 22		578316	156,00		U 20		578378	176,00		
	M 28		578318	156,00		U 25		578380	176,00		
	M 35		578390	189,00		U 32		578382	206,00		
	M 15 S (PR-2B)	Mini Z8	574738 R	132,00		AUSTEC PEX-AL-PEX GAS (AUS)	TH 16		578352 R	188,00	
	M 18 S (PR-2B)	Mini Z8	574740 R	132,00			TH 20		578358 R	188,00	
	M 22 S (PR-2B)	Mini Z8	574742 R	132,00	TH 25			578360	188,00		
	M 28 S (PR-2B)	Mini Z8	574744 R	132,00	TH 32			578364	188,00		
	M 35 S (PR-2B)	Mini Z8	574746 R	146,00	U 16			578374	176,00		
ASSOTHERM IPC-RAX Inox	M 15		578312	156,00	U 20			578378	176,00		
	M 18		578314	156,00	U 25			578380	176,00		
	M 22		578316	156,00	U 32			578382	206,00		
	M 28		578318	156,00	ASSOTHERM IPM-Multistrato		H 16		578400	170,00	
	M 35		578390	189,00			IPM-Multistrato	H 20		578406	170,00
	M 15 S (PR-2B)	Mini Z8	574738 R	132,00		H 26			578410	170,00	
	M 18 S (PR-2B)	Mini Z8	574740 R	132,00		H 32			578412	170,00	
	M 22 S (PR-2B)	Mini Z8	574742 R	132,00		TH 16			578352 R	188,00	
	M 28 S (PR-2B)	Mini Z8	574744 R	132,00		TH 20			578358 R	188,00	
	M 35 S (PR-2B)	Mini Z8	574746 R	146,00		TH 26			578362 R	188,00	
ASSOTHERM IPR-RRR Copper	M 15		578312	156,00		TH 32			578364	188,00	
	M 18		578314	156,00		THL 32			578368	188,00	
	M 22		578316	156,00		TH 40			578624	249,00	
	M 28		578318	156,00	TH 16 S (PR-2B)**	Mini Z8		574782 R	132,00		
	M 35		578390	189,00	TH 20 S (PR-2B)**	Mini Z8	574788 R	132,00			
	M 15 S (PR-2B)	Mini Z8	574738 R	132,00	TH 26 S (PR-2B)**	Mini Z8	574794 R	132,00			
	M 18 S (PR-2B)	Mini Z8	574740 R	132,00	TH 32 S (PR-2B)	Mini Z8	574798 R	146,00			
	M 22 S (PR-2B)	Mini Z8	574742 R	132,00	U 16		578374	176,00			
	M 28 S (PR-2B)	Mini Z8	574744 R	132,00	U 20		578378	176,00			
	M 35 S (PR-2B)	Mini Z8	574746 R	146,00	U 26 ⁷⁾		578392	206,00			
ASSOTHERM IPR-RRR Copper Gas	M 15		578312	156,00	U 32		578382	206,00			
	M 18		578314	156,00	ASSOTHERM IPR-RRR Copper	M 15		578312	156,00		
	M 22		578316	156,00		IPR-RRR	M 18		578314	156,00	
	M 28										

ROLLER'S pressing tongs Mini / pressing rings

Accessory for ROLLER'S 22kN radial presses

System	Pressing tongs Mini/pressing rings	Drive with adapter tongs	Art.-No.	€
Brass & Fittings PRESSMAN MultiPress	RFz 16		578492	196,00
	RFz 18		578638	196,00
	ACz 20		578612	196,00
	RFz 25		578496	196,00
	RFz 32		578498	196,00
Brass & Fittings PRESSMAN RetiPress	RFz 16		578492	196,00
	RFz 18		578638	196,00
	ACz 20		578612	196,00
	RFz 25		578496	196,00
	RFz 32		578498	196,00
BRASSTECH MULTIthermoSAN	B 16		578468	205,00
	B 20		578472	205,00
Brasspress	B 26		578474	226,00
	B 32		578476	226,00
	F 16		578456	179,00
	F 20		578460	179,00
	F 26		578462	194,00
	F 16 S (PR-2B)**	Mini Z8	574728 R	132,00
	F 20 S (PR-2B)**	Mini Z8	574730 R	132,00
	F 26 S (PR-2B)**	Mini Z8	574732 R	132,00
	H 16		578400	170,00
	H 18		578404	170,00
	H 20		578406	170,00
	H 26		578410	170,00
	TH 16		578352 R	188,00
	TH 18		578356	188,00
	TH 20		578358 R	188,00
	TH 26		578362 R	188,00
	TH 32		578364	188,00
	TH 40		578624	249,00
	TH 16 S (PR-2B)**	Mini Z8	574782 R	132,00
	TH 18 S (PR-2B)**	Mini Z8	574786 R	132,00
	TH 20 S (PR-2B)**	Mini Z8	574788 R	132,00
	TH 26 S (PR-2B)**	Mini Z8	574794 R	132,00
	TH 32 S (PR-2B)	Mini Z8	574798 R	146,00
U 16		578374	176,00	
U 18		578376	176,00	
U 20		578378	176,00	
U 26 ⁷⁾		578392	206,00	
U 32		578382	206,00	

C

Cello Products Press	VUS ½" (OD 15,9 mm)		578566	189,00	
	VUS ¾" (OD 22,2 mm)		578568	189,00	
	VUS 1" (OD 28,6 mm)		578570	189,00	
	VUS 1¼" (OD 34,9 mm)		578606	189,00	
CGR DYN AFLU multicouche	H 16		578400	170,00	
	H 20		578406	170,00	
	H 26		578410	170,00	
	H 32		578412	170,00	
	TH 16		578352 R	188,00	
	TH 20		578358 R	188,00	
	TH 26		578362 R	188,00	
	TH 32		578364	188,00	
	TH 40		578624	249,00	
	TH 16 S (PR-2B)**	Mini Z8	574782 R	132,00	
	TH 20 S (PR-2B)**	Mini Z8	574788 R	132,00	
	TH 26 S (PR-2B)**	Mini Z8	574794 R	132,00	
	TH 32 S (PR-2B)	Mini Z8	574798 R	146,00	
	U 16		578374	176,00	
	U 20		578378	176,00	
	U 26 ⁷⁾		578392	206,00	
	U 32		578382	206,00	
	U 40		578386	251,00	
	CGR DYN AFLU	H 12		578396	170,00
		H 16		578400	170,00
	PER	H 20		578406	170,00
		H 25		578408	170,00
		RFz 12		578490	196,00
RFz 16			578492	196,00	
RFz 20			578494	196,00	
CHIALI CHIALIPEX	RFz 25		578496	196,00	
	TH 16		578352 R	188,00	
	TH 20		578358 R	188,00	
	TH 26		578362 R	188,00	
	TH 32		578364	188,00	
Climatrix Climatrix Rhinopex	TH 40		578624	249,00	
	H 16		578400	170,00	
	H 20		578406	170,00	
	U 16		578374	176,00	
	U 20		578378	176,00	
	TH 14		578348	188,00	
	TH 16		578352 R	188,00	
	TH 18		578356	188,00	
	TH 20		578358 R	188,00	
	TH 26		578362 R	188,00	
	TH 32		578364	188,00	
	TH 16 S (PR-2B)**	Mini Z8	574782 R	132,00	
	TH 20 S (PR-2B)**	Mini Z8	574788 R	132,00	
	TH 26 S (PR-2B)**	Mini Z8	574794 R	132,00	
	TH 32 S (PR-2B)	Mini Z8	574798 R	146,00	

System	Pressing tongs Mini/pressing rings	Drive with adapter tongs	Art.-No.	€
Climatrix	TH 11,6		578344	188,00
Variotherm	TH 16		578352 R	188,00
System TH	TH 16 S (PR-2B)**	Mini Z8	574782 R	132,00
ClouSet	TH 16		578352 R	188,00
	TH 18		578356	188,00
	TH 20		578358 R	188,00
	TH 16 S (PR-2B)**	Mini Z8	574782 R	132,00
	TH 18 S (PR-2B)**	Mini Z8	574786 R	132,00
Comap PEX Press	TH 20 S (PR-2B)**	Mini Z8	574788 R	132,00
	RFz 12		578490	196,00
	RFz 16		578492	196,00
	RFz 20		578494	196,00
	RFz 25		578496	196,00
Comap Multiskin	TH 14		578348	188,00
	TH 16		578352 R	188,00
	TH 18		578356	188,00
	TH 20		578358 R	188,00
	TH 26		578362 R	188,00
	TH 32		578364	188,00
	THL 32		578368	188,00
	TH 40		578624	249,00
	TH 16 S (PR-2B)**	Mini Z8	574782 R	132,00
	TH 20 S (PR-2B)**	Mini Z8	574788 R	132,00
	TH 26 S (PR-2B)**	Mini Z8	574794 R	132,00
	TH 32 S (PR-2B)	Mini Z8	574798 R	146,00
	U 14		578372	185,00
	U 16		578374	176,00
	U 18		578376	176,00
	U 20		578378	176,00
	U 32		578382	206,00
	H 14		578398	170,00
	H 16		578400	170,00
	H 18		578404	170,00
	H 20		578406	170,00
	H 26		578410	170,00
	H 32		578412	170,00
Comap Multiskin Gas	TH 16		578352 R	188,00
	TH 20		578358 R	188,00
	TH 26		578362 R	188,00
	TH 32		578364	188,00
	THL 32		578368	188,00
	TH 16 S (PR-2B)**	Mini Z8	574782 R	132,00
	TH 20 S (PR-2B)**	Mini Z8	574788 R	132,00
	TH 26 S (PR-2B)**	Mini Z8	574794 R	132,00
	TH 32 S (PR-2B)	Mini Z8	574798 R	146,00
	U 16		578374	176,00
COMISA Press System	U 20		578378	176,00
	U 32		578382	206,00
	H 16		578400	170,00
	H 20		578406	170,00
	H 26		578410	170,00
	H 32		578412	170,00
	TH 14		578348	188,00
	TH 16		578352 R	188,00
	TH 18		578356	188,00
	TH 20		578358 R	188,00
	TH 25		578360	188,00
	TH 26		578362 R	188,00
	TH 32		578364	188,00
	TH 40		578624	249,00
	TH 14 S (PR-2B)**	Mini Z8	574778 R	132,00
	TH 16 S (PR-2B)**	Mini Z8	574782 R	132,00
	TH 18 S (PR-2B)**	Mini Z8	574786 R	132,00
	TH 20 S (PR-2B)**	Mini Z8	574788 R	132,00
	TH 25 S (PR-2B)**	Mini Z8	574792 R	132,00
	TH 26 S (PR-2B)**	Mini Z8	574794 R	132,00
	TH 32 S (PR-2B)	Mini Z8	574798 R	146,00
	H 14		578398	170,00
	H 16		578400	170,00
H 18		578404	170,00	
H 20		578406	170,00	
H 26		578410	170,00	
H 32		578412	170,00	
B 14		578466	205,00	
B 16		578468	205,00	
B 18		578470	205,00	
B 20		578472	205,00	
B 26		578474	226,00	
B 32		578476	226,00	
COMISA Press System Gas	TH 16		578352 R	188,00
	TH 20		578358 R	188,00
	TH 26		578362 R	188,00
	TH 32		578364	188,00
	TH 16 S (PR-2B)**	Mini Z8	574782 R	132,00
	TH 20 S (PR-2B)**	Mini Z8	574788 R	132,00
TH 26 S (PR-2B)**	Mini Z8	574794 R	132,00	
TH 32 S (PR-2B)	Mini Z8	574798 R	146,00	

System	Pressing tongs Mini/pressing rings	Drive with adapter tongs	Art.-No.	€	System	Pressing tongs Mini/pressing rings	Drive with adapter tongs	Art.-No.	€
CONEL	M 15		578312	156,00	Conex Bänninger	F 16		578456	179,00
CONNECT INOX	M 18		578314	156,00	>B< Flex	F 18		578458	179,00
	M 22		578316	156,00		F 20		578460	179,00
	V 15		578328	156,00		F 32		578464	194,00
	V 18		578332	156,00		F 16 S (PR-2B)**	Mini Z8	574728 R	132,00
	V 22		578334	156,00		F 20 S (PR-2B)**	Mini Z8	574730 R	132,00
CONEL	F 16		578456	179,00		F 32 S (PR-2B)	Mini Z8	574734 R	146,00
CONNECT	F 20		578460	179,00		H 16		578400	170,00
MULTI	F 26		578462	194,00		H 18		578404	170,00
	F 32		578464	194,00		H 20		578406	170,00
	F 16 S (PR-2B)**	Mini Z8	574728 R	132,00		H 25		578408	170,00
	F 20 S (PR-2B)**	Mini Z8	574730 R	132,00		H 32		578412	170,00
	F 26 S (PR-2B)**	Mini Z8	574732 R	132,00		RFz 16		578492	196,00
	F 32 S (PR-2B)**	Mini Z8	574734 R	146,00		RFz 18		578638	196,00
	H 16		578400	170,00		RFz 20		578494	196,00
	H 20		578406	170,00		RFz 25		578496	196,00
	H 26		578410	170,00		RFz 32		578498	196,00
	H 32		578412	170,00		TH 16		578352 R	188,00
	TH 16		578352 R	188,00		TH 18		578356	188,00
	TH 20		578358 R	188,00		TH 20		578358 R	188,00
	TH 26		578362 R	188,00		TH 25		578360	188,00
	TH 32		578364	188,00		TH 32		578364	188,00
	TH 16 S (PR-2B)**	Mini Z8	574782 R	132,00		TH 16 S (PR-2B)**	Mini Z8	574782 R	132,00
	TH 20 S (PR-2B)**	Mini Z8	574788 R	132,00		TH 18 S (PR-2B)**	Mini Z8	574786 R	132,00
	TH 26 S (PR-2B)**	Mini Z8	574794 R	132,00		TH 20 S (PR-2B)**	Mini Z8	574788 R	132,00
	TH 32 S (PR-2B)**	Mini Z8	574798 R	146,00		TH 32 S (PR-2B)	Mini Z8	574798 R	146,00
	U 16		578374	176,00		U 16		578374	176,00
	U 20		578378	176,00		U 18		578376	176,00
(DN 26)	U 25		578380	176,00		U 20		578378	176,00
	U 32		578382	206,00		U 25		578380	176,00
	VP 16		578482	188,00		U 32		578382	206,00
	VP 20		578484	188,00		Conex Bänninger	F 16	578456	179,00
	VP 32		578488	207,00	>B< Flex Gas	F 18	578458	179,00	
CONEL	F 16		578456	179,00		F 20		578460	179,00
CONNECT	F 20		578460	179,00		F 32		578464	194,00
MV2	F 26		578462	194,00		F 16 S (PR-2B)**	Mini Z8	574728 R	132,00
	F 32		578464	194,00		F 20 S (PR-2B)**	Mini Z8	574730 R	132,00
	F 16 S (PR-2B)**	Mini Z8	574728 R	132,00		F 32 S (PR-2B)	Mini Z8	574734 R	146,00
	F 20 S (PR-2B)**	Mini Z8	574730 R	132,00		H 16		578400	170,00
	F 26 S (PR-2B)**	Mini Z8	574732 R	132,00		H 18		578404	170,00
	F 32 S (PR-2B)**	Mini Z8	574734 R	146,00		H 20		578406	170,00
	TH 16		578352 R	188,00		H 25		578408	170,00
	TH 20		578358 R	188,00		H 32		578412	170,00
	TH 26		578362 R	188,00		RFz 16		578492	196,00
	TH 32		578364	188,00		RFz 18		578638	196,00
	TH 16 S (PR-2B)**	Mini Z8	574782 R	132,00		RFz 20		578494	196,00
	TH 20 S (PR-2B)**	Mini Z8	574788 R	132,00		RFz 25		578496	196,00
	TH 26 S (PR-2B)**	Mini Z8	574794 R	132,00		RFz 32		578498	196,00
	TH 32 S (PR-2B)**	Mini Z8	574798 R	146,00		TH 16		578352 R	188,00
Conex Bänninger	M 15		578312	156,00		TH 18		578356	188,00
<A> Press Inox	M 18		578314	156,00		TH 20		578358 R	188,00
(304)	M 22		578316	156,00		TH 25		578360	188,00
	M 28		578318	156,00		TH 32		578364	188,00
	M 35		578390	189,00		TH 16 S (PR-2B)**	Mini Z8	574782 R	132,00
	M 15 S (PR-2B)	Mini Z8	574738 R	132,00		TH 18 S (PR-2B)**	Mini Z8	574786 R	132,00
	M 18 S (PR-2B)	Mini Z8	574740 R	132,00		TH 20 S (PR-2B)**	Mini Z8	574788 R	132,00
	M 22 S (PR-2B)	Mini Z8	574742 R	132,00		TH 32 S (PR-2B)	Mini Z8	574798 R	146,00
	M 28 S (PR-2B)	Mini Z8	574744 R	132,00		U 16		578374	176,00
	M 35 S (PR-2B)	Mini Z8	574746 R	146,00		U 18		578376	176,00
Conex Bänninger	M 15		578312	156,00		U 20		578378	176,00
<A> Press Inox	M 18		578314	156,00		U 25		578380	176,00
(316L)	M 22		578316	156,00		U 32		578382	206,00
	M 28		578318	156,00	Conex Bänninger	BMP ¼"		578700	187,00
	M 35		578390	189,00	>B< MaxiPro	BMP ⅜"		578702	187,00
	M 15 S (PR-2B)	Mini Z8	574738 R	132,00		BMP ½"		578704	187,00
	M 18 S (PR-2B)	Mini Z8	574740 R	132,00		BMP ¾"		578706	187,00
	M 22 S (PR-2B)	Mini Z8	574742 R	132,00		BMP 1"		578708	187,00
	M 28 S (PR-2B)	Mini Z8	574744 R	132,00		BMP 1¼"		578710	187,00
	M 35 S (PR-2B)	Mini Z8	574746 R	146,00				578712	187,00
								578714	187,00

Pressfitting systems for gas installations may only be pressed with the pressing tongs Mini which are highlighted in yellow in the table.

Observe the national regulations. Read and observe the system provider's/manufacturer's instructions for use and assembly instructions.

** Can also be driven by the ROLLER'S Easy-Press manual radial press using the Z8 adapter tongs, see page 90. Observe the national regulations.

1) Only pressing tongs from designation "108" (1st quarter of 2008), "208" (2nd quarter of 2008) etc. can be used. The designation is stamped on every pressing jaw.

2) For accommodating suitable pressing inserts.

3) Only pressing tongs from designation "117" (1st quarter of 201), "217" (2nd quarter of 2017) etc. can be used. The designation is stamped on every pressing jaw.

4) For pipes with the EN technical standard. Observe the system provider's/manufacturer's instructions for use.

6) Only use Mini pressing tongs identified by "VMP ½" G" on the pressing jaws for gas installations.

7) Previous designation: Mini C 26 pressing tongs

9) For pipes with the ASTM technical standard. Observe the system provider's/manufacturer's instructions for use.

Suitability of the ROLLER'S pressing tools for pressfitting systems: Status 27.10.2023. The current status can be found on the Internet:

www.albert-roller.de → Downloads → Product Catalogues, Brochures → ROLLER Catalogue.

See page 79 for adapter tongs. Pressing tongs/pressing rings for other press fitting systems on request.

System	Pressing tongs Mini/pressing rings	Drive with adapter tongs	Art.-No.	€	
Conex Bänninger >B< Press	V 12		578324	156,00	
	V 14		578326	156,00	
	V 15		578328	156,00	
	V 16		578330	156,00	
	V 18		578332	156,00	
	V 22		578334	156,00	
	V 28		578336	156,00	
	V 35		578604	189,00	
	V 12 S (PR-2B)	Mini Z8	574748 R	132,00	
	V 14 S (PR-2B)	Mini Z8	574800 R	132,00	
	V 15 S (PR-2B)	Mini Z8	574752 R	132,00	
	V 16 S (PR-2B)	Mini Z8	574802 R	132,00	
	V 18 S (PR-2B)	Mini Z8	574756 R	132,00	
	V 22 S (PR-2B)	Mini Z8	574758 R	132,00	
	V 28 S (PR-2B)	Mini Z8	574760 R	132,00	
	V 35 S (PR-2B)	Mini Z8	574762 R	146,00	
	M 15		578312	156,00	
	M 22		578316	156,00	
	M 28		578318	156,00	
	Conex Bänninger >B< Press Carbon	V 15		578328	156,00
V 18			578332	156,00	
V 22			578334	156,00	
V 28			578336	156,00	
V 35			578604	189,00	
V 15 S (PR-2B)		Mini Z8	574752 R	132,00	
V 18 S (PR-2B)		Mini Z8	574756 R	132,00	
V 22 S (PR-2B)		Mini Z8	574758 R	132,00	
V 28 S (PR-2B)		Mini Z8	574760 R	132,00	
V 35 S (PR-2B)		Mini Z8	574762 R	146,00	
Conex Bänninger >B< Press Gas		V 12		578324	156,00
		V 14		578326	156,00
		V 15		578328	156,00
		V 16		578330	156,00
	V 18		578332	156,00	
	V 22		578334	156,00	
	V 28		578336	156,00	
	V 35		578604	189,00	
	V 12 S (PR-2B)	Mini Z8	574748 R	132,00	
	V 14 S (PR-2B)	Mini Z8	574800 R	132,00	
	V 15 S (PR-2B)	Mini Z8	574752 R	132,00	
	V 16 S (PR-2B)	Mini Z8	574802 R	132,00	
	V 18 S (PR-2B)	Mini Z8	574756 R	132,00	
	V 22 S (PR-2B)	Mini Z8	574758 R	132,00	
V 28 S (PR-2B)	Mini Z8	574760 R	132,00		
V 35 S (PR-2B)	Mini Z8	574762 R	146,00		
Conex Bänninger >B< Press Inox	V 15		578328	156,00	
	V 18		578332	156,00	
	V 22		578334	156,00	
	V 28		578336	156,00	
	V 35		578604	189,00	
	V 15 S (PR-2B)	Mini Z8	574752 R	132,00	
	V 18 S (PR-2B)	Mini Z8	574756 R	132,00	
	V 22 S (PR-2B)	Mini Z8	574758 R	132,00	
	V 28 S (PR-2B)	Mini Z8	574760 R	132,00	
	V 35 S (PR-2B)	Mini Z8	574762 R	146,00	
	Conex Bänninger >B< Press Solar	V 12		578324	156,00
		V 14		578326	156,00
		V 15		578328	156,00
		V 16		578330	156,00
V 18			578332	156,00	
V 22			578334	156,00	
V 28			578336	156,00	
V 35			578604	189,00	
V 12 S (PR-2B)		Mini Z8	574748 R	132,00	
V 14 S (PR-2B)		Mini Z8	574800 R	132,00	
V 15 S (PR-2B)		Mini Z8	574752 R	132,00	
V 16 S (PR-2B)		Mini Z8	574802 R	132,00	
V 18 S (PR-2B)		Mini Z8	574756 R	132,00	
V 22 S (PR-2B)		Mini Z8	574758 R	132,00	
V 28 S (PR-2B)	Mini Z8	574760 R	132,00		
V 35 S (PR-2B)	Mini Z8	574762 R	146,00		
D					
Debrunner Acifer d-a Presssystem C-Stahl	M 12		578310	156,00	
	M 15		578312	156,00	
	M 18		578314	156,00	
	M 22		578316	156,00	
	M 28		578318	156,00	
	M 35		578390	189,00	
	M 12 S (PR-2B)	Mini Z8	574736 R	132,00	
	M 15 S (PR-2B)	Mini Z8	574738 R	132,00	
	M 18 S (PR-2B)	Mini Z8	574740 R	132,00	
	M 22 S (PR-2B)	Mini Z8	574742 R	132,00	
	M 28 S (PR-2B)	Mini Z8	574744 R	132,00	
	M 35 S (PR-2B)	Mini Z8	574746 R	146,00	
	DUOPIPE SYSTEMS	U 16		578374	176,00
	DUOFLI MKSYSTEM	U 18		578376	176,00
	U 20		578378	176,00	
	U 25		578380	176,00	
	U 32		578382	206,00	
DW Verbundrohr multitubo systems	U 16		578374	176,00	
	U 18		578376	176,00	
	U 20		578378	176,00	
	U 25		578380	176,00	
	U 32		578382	206,00	

System	Pressing tongs Mini/pressing rings	Drive with adapter tongs	Art.-No.	€
E				
EBRILLE Isomomflex	U 16		578374	176,00
	U 20		578378	176,00
	U 25		578380	176,00
	U 32		578382	206,00
	H 26		578410	170,00
	TH 26		578362 R	188,00
	TH 26 S (PR-2B)**	Mini Z8	574794 R	132,00
EBRILLE Monflex	U 16		578374	176,00
	U 20		578378	176,00
	U 25		578380	176,00
	U 32		578382	206,00
	H 26		578410	170,00
	TH 26		578362 R	188,00
	TH 26 S (PR-2B)**	Mini Z8	574794 R	132,00
EFFEBI	M 15		578312	156,00
	M 18		578314	156,00
	Aisi316		578316	156,00
	System M Profile ¹⁾		578318	156,00
	M 35		578390	189,00
	M 15 S (PR-2B)	Mini Z8	574738 R	132,00
	M 18 S (PR-2B)	Mini Z8	574740 R	132,00
	M 22 S (PR-2B)	Mini Z8	574742 R	132,00
	M 28 S (PR-2B)	Mini Z8	574744 R	132,00
	M 35 S (PR-2B)	Mini Z8	574746 R	146,00
EFFEBI EFFEBI-PRESS	V 12		578324	156,00
	V 15		578328	156,00
	Aisi316		578332	156,00
	System V Profile		578334	156,00
	V 28		578336	156,00
	V 35		578604	189,00
	V 12 S (PR-2B)	Mini Z8	574748 R	132,00
	V 15 S (PR-2B)	Mini Z8	574752 R	132,00
	V 18 S (PR-2B)	Mini Z8	574756 R	132,00
	V 22 S (PR-2B)	Mini Z8	574758 R	132,00
EFFEBI EFFEBI-PRESS	V 28 S (PR-2B)	Mini Z8	574760 R	132,00
	V 35 S (PR-2B)	Mini Z8	574762 R	146,00
	M 12		578310	156,00
	M 15		578312	156,00
	Carbon-S		578314	156,00
	System M Profile ¹⁾		578316	156,00
	M 28		578318	156,00
	M 35		578390	189,00
	M 12 S (PR-2B)	Mini Z8	574736 R	132,00
	M 15 S (PR-2B)	Mini Z8	574738 R	132,00
EFFEBI EFFEBI-PRESS	M 18 S (PR-2B)	Mini Z8	574740 R	132,00
	M 22 S (PR-2B)	Mini Z8	574742 R	132,00
	M 28 S (PR-2B)	Mini Z8	574744 R	132,00
	M 35 S (PR-2B)	Mini Z8	574746 R	146,00
	V 12		578324	156,00
	V 15		578328	156,00
	Carbon-S		578332	156,00
	System V Profile		578334	156,00
	V 28		578336	156,00
	V 35		578604	189,00
EFFEBI EFFEBI-PRESS	V 12 S (PR-2B)	Mini Z8	574748 R	132,00
	V 15 S (PR-2B)	Mini Z8	574752 R	132,00
	V 18 S (PR-2B)	Mini Z8	574756 R	132,00
	V 22 S (PR-2B)	Mini Z8	574758 R	132,00
	V 28 S (PR-2B)	Mini Z8	574760 R	132,00
	V 35 S (PR-2B)	Mini Z8	574762 R	146,00
	V 12		578324	156,00
	V 14		578326	156,00
	V 15		578328	156,00
	V 16		578330	156,00
EFFEBI EFFEBI-PRESS	V 18		578332	156,00
	V 22		578334	156,00
	V 28		578336	156,00
	V 35		578604	189,00
	V 12 S (PR-2B)	Mini Z8	574748 R	132,00
	V 15 S (PR-2B)	Mini Z8	574752 R	132,00
	V 18 S (PR-2B)	Mini Z8	574756 R	132,00
	V 22 S (PR-2B)	Mini Z8	574758 R	132,00
	V 28 S (PR-2B)	Mini Z8	574760 R	132,00
	V 35 S (PR-2B)	Mini Z8	574762 R	146,00
EFFEBI EFFEBI-PRESS	V 12		578324	156,00
	V 15		578328	156,00
	V 18		578332	156,00
	V 22		578334	156,00
	V 28		578336	156,00
	V 35		578604	189,00
	V 12 S (PR-2B)	Mini Z8	574748 R	132,00
	V 15 S (PR-2B)	Mini Z8	574752 R	132,00
	V 18 S (PR-2B)	Mini Z8	574756 R	132,00
	V 22 S (PR-2B)	Mini Z8	574758 R	132,00
UNICO	V 28 S (PR-2B)	Mini Z8	574760 R	132,00
	V 35 S (PR-2B)	Mini Z8	574762 R	146,00
	V 12		578324	156,00
	V 15		578328	156,00
	V 18		578332	156,00
	V 22		578334	156,00
UNICO	V 28		578336	156,00
	V 35		578604	189,00
	V 12 S (PR-2B)	Mini Z8	574748 R	132,00
	V 15 S (PR-2B)	Mini Z8	574752 R	132,00
	V 18 S (PR-2B)	Mini Z8	574756 R	132,00
	V 22 S (PR-2B)	Mini Z8	574758 R	132,00
	V 28 S (PR-2B)	Mini Z8	574760 R	132,00
	V 35 S (PR-2B)	Mini Z8	574762 R	146,00

System	Pressing tongs Mini/pressing rings	Drive with adapter tongs	Art.-No.	€	System	Pressing tongs Mini/pressing rings	Drive with adapter tongs	Art.-No.	€
EFFEBI	V 12		578324	156,00	EFFEBI	TH 16		578352 R	188,00
EFFEBI-PRESS	V 15		578328	156,00	TOF	TH 18		578356	188,00
UNICO	V 18		578332	156,00	MULTIPINZA	TH 20		578358 R	188,00
(GAS)	V 22		578334	156,00		TH 25		578360	188,00
	V 28		578336	156,00		TH 26		578362 R	188,00
	V 35		578604	189,00		TH 32		578364	188,00
	V 12 S (PR-2B)	Mini Z8	574748 R	132,00		TH 40		578624	249,00
	V 15 S (PR-2B)	Mini Z8	574752 R	132,00		TH 16 S (PR-2B)**	Mini Z8	574782 R	132,00
	V 18 S (PR-2B)	Mini Z8	574756 R	132,00		TH 18 S (PR-2B)**	Mini Z8	574786 R	132,00
	V 22 S (PR-2B)	Mini Z8	574758 R	132,00		TH 20 S (PR-2B)**	Mini Z8	574788 R	132,00
	V 28 S (PR-2B)	Mini Z8	574760 R	132,00		TH 25 S (PR-2B)**	Mini Z8	574792 R	132,00
	V 35 S (PR-2B)	Mini Z8	574762 R	146,00		TH 26 S (PR-2B)**	Mini Z8	574794 R	132,00
EFFEBI	M 15		578312	156,00		TH 32 S (PR-2B)	Mini Z8	574798 R	146,00
PRESSTIGE	M 18		578314	156,00		F 16		578456	179,00
	M 22		578316	156,00		F 18		578458	179,00
	M 28		578318	156,00		F 20		578460	179,00
	M 35		578390	189,00		F 26		578462	194,00
	M 15 S (PR-2B)	Mini Z8	574738 R	132,00		F 32		578464	194,00
	M 18 S (PR-2B)	Mini Z8	574740 R	132,00		Fz 40		578478	262,00
	M 22 S (PR-2B)	Mini Z8	574742 R	132,00		F 16 S (PR-2B)**	Mini Z8	574728 R	132,00
	M 28 S (PR-2B)	Mini Z8	574744 R	132,00		F 20 S (PR-2B)**	Mini Z8	574730 R	132,00
	M 35 S (PR-2B)	Mini Z8	574746 R	146,00		F 26 S (PR-2B)**	Mini Z8	574732 R	132,00
	V 15		578328	156,00		F 32 S (PR-2B)	Mini Z8	574734 R	146,00
	V 18		578332	156,00		H 16		578400	170,00
	V 22		578334	156,00		H 18		578404	170,00
	V 28		578336	156,00		H 20		578406	170,00
	V 35		578604	189,00		H 25		578408	170,00
	V 15 S (PR-2B)	Mini Z8	574752 R	132,00		H 26		578410	170,00
	V 18 S (PR-2B)	Mini Z8	574756 R	132,00		H 32		578412	170,00
	V 22 S (PR-2B)	Mini Z8	574758 R	132,00		U 16		578374	176,00
	V 28 S (PR-2B)	Mini Z8	574760 R	132,00		U 18		578376	176,00
	V 35 S (PR-2B)	Mini Z8	574762 R	146,00		U 20		578378	176,00
EFFEBI	M 15		578312	156,00		U 25		578380	176,00
PRESSTIGE 4E05	M 18		578314	156,00		U 26 ⁷⁾		578392	206,00
	M 22		578316	156,00		U 32		578382	206,00
	M 28		578318	156,00		U 40		578386	251,00
	M 35		578390	189,00		B 16		578468	205,00
	M 15 S (PR-2B)	Mini Z8	574738 R	132,00		B 18		578470	205,00
	M 18 S (PR-2B)	Mini Z8	574740 R	132,00		B 20		578472	205,00
	M 22 S (PR-2B)	Mini Z8	574742 R	132,00		B 26		578474	226,00
	M 28 S (PR-2B)	Mini Z8	574744 R	132,00		B 32		578476	226,00
	M 35 S (PR-2B)	Mini Z8	574746 R	146,00	EFIELD	U 16		578374	176,00
EFFEBI	M 15		578312	156,00	MULTILAYER PRESS	U 18		578376	176,00
PRESSTIGE-GAS	M 18		578314	156,00	DINGAS	U 20		578378	176,00
	M 22		578316	156,00		U 25		578380	176,00
	M 28		578318	156,00		U 32		578382	206,00
	M 35		578390	189,00	EFIELD	U 16		578374	176,00
	M 15 S (PR-2B)	Mini Z8	574738 R	132,00	MULTILAYER PRESS	U 18		578376	176,00
	M 18 S (PR-2B)	Mini Z8	574740 R	132,00	WATER	U 20		578378	176,00
	M 22 S (PR-2B)	Mini Z8	574742 R	132,00		U 25		578380	176,00
	M 28 S (PR-2B)	Mini Z8	574744 R	132,00		U 32		578382	206,00
	M 35 S (PR-2B)	Mini Z8	574746 R	146,00	Elkhart	VUS ½" (OD 15,9 mm)		578566	189,00
	V 15		578328	156,00	APOLLOXPRESS	VUS ¾" (OD 22,2 mm)		578568	189,00
	V 18		578332	156,00	Fittings Copper	VUS 1" (OD 28,6 mm)		578570	189,00
	V 22		578334	156,00	and Low-Lead Brass	VUS 1¼" (OD 34,9 mm)		578606	189,00
	V 28		578336	156,00	EMMETI	B 16		578468	205,00
	V 35		578604	189,00	GERPEX-	B 20		578472	205,00
	V 15 S (PR-2B)	Mini Z8	574752 R	132,00	FIVPRESS	B 26		578474	226,00
	V 18 S (PR-2B)	Mini Z8	574756 R	132,00		B 32		578476	226,00
	V 22 S (PR-2B)	Mini Z8	574758 R	132,00		F 16		578456	179,00
	V 28 S (PR-2B)	Mini Z8	574760 R	132,00		F 20		578460	179,00
	V 35 S (PR-2B)	Mini Z8	574762 R	146,00		H 16		578400	170,00
EFFEBI	TH 16		578352 R	188,00		H 20		578406	170,00
TOF-GAS	TH 20		578358 R	188,00		TH 16		578352 R	188,00
MULTIPINZA	TH 26		578362 R	188,00		TH 20		578358 R	188,00
	TH 32		578364	188,00		TH 26		578362 R	188,00
	TH 16 S (PR-2B)**	Mini Z8	574782 R	132,00		TH 32		578364	188,00
	TH 20 S (PR-2B)**	Mini Z8	574788 R	132,00		TH 40		578624	249,00
	TH 26 S (PR-2B)**	Mini Z8	574794 R	132,00		U 16		578374	176,00
	TH 32 S (PR-2B)	Mini Z8	574798 R	146,00		U 20		578378	176,00
	H 16		578400	170,00	EMPUR	TH 14		578348	188,00
	H 20		578406	170,00		TH 15		578350	188,00
	H 26		578410	170,00		TH 16		578352 R	188,00
	H 32		578412	170,00		TH 17		578354	188,00
	U 16		578374	176,00		TH 20		578358 R	188,00
	U 20		578378	176,00		TH 25		578360	188,00
	U 32		578382	206,00		TH 14 S (PR-2B)**	Mini Z8	574778 R	132,00
						TH 15 S (PR-2B)**	Mini Z8	574780 R	132,00
						TH 16 S (PR-2B)**	Mini Z8	574782 R	132,00
						TH 17 S (PR-2B)**	Mini Z8	574784 R	132,00
						TH 20 S (PR-2B)**	Mini Z8	574788 R	132,00
						TH 25 S (PR-2B)**	Mini Z8	574792 R	132,00

Pressfitting systems for gas installations may only be pressed with the pressing tongs Mini which are highlighted in yellow in the table.

Observe the national regulations. Read and observe the system provider's/manufacturer's instructions for use and assembly instructions.

** Can also be driven by the ROLLER'S Easy-Press manual radial press using the Z8 adapter tongs, see page 90. Observe the national regulations.

¹⁾ Only pressing tongs from designation "108" (1st quarter of 2008), "208" (2nd quarter of 2008) etc. can be used. The designation is stamped on every pressing jaw.

²⁾ For accommodating suitable pressing inserts.

³⁾ Only pressing tongs from designation "117" (1st quarter of 201), "217" (2nd quarter of 2017) etc. can be used. The designation is stamped on every pressing jaw.

⁴⁾ For pipes with the EN technical standard. Observe the system provider's/manufacturer's instructions for use.

⁵⁾ Only use Mini pressing tongs identified by "VMP ½" G" on the pressing jaws for gas installations.

⁷⁾ Previous designation: Mini C 26 pressing tongs

⁹⁾ For pipes with the ASTM technical standard. Observe the system provider's/manufacturer's instructions for use.

Suitability of the ROLLER'S pressing tools for pressfitting systems: Status 27.10.2023. The current status can be found on the Internet:

www.albert-roller.de → Downloads → Product Catalogues, Brochures → ROLLER Catalogue.

See page 79 for adapter tongs. Pressing tongs/pressing rings for other press fitting systems on request.

System	Pressing tongs Mini/pressing rings	Drive with adapter tongs	Art.-No.	€
Esta Rohr simplesta SH M	M 15		578312	156,00
	M 18		578314	156,00
	M 22		578316	156,00
	M 28		578318	156,00
	M 35		578390	189,00
	M 15 S (PR-2B)	Mini Z8	574738 R	132,00
	M 18 S (PR-2B)	Mini Z8	574740 R	132,00
	M 22 S (PR-2B)	Mini Z8	574742 R	132,00
	M 28 S (PR-2B)	Mini Z8	574744 R	132,00
	M 35 S (PR-2B)	Mini Z8	574746 R	146,00
Esta Rohr simplesta ST M	M 15		578312	156,00
	M 18		578314	156,00
	M 22		578316	156,00
	M 28		578318	156,00
	M 35		578390	189,00
	M 15 S (PR-2B)	Mini Z8	574738 R	132,00
	M 18 S (PR-2B)	Mini Z8	574740 R	132,00
	M 22 S (PR-2B)	Mini Z8	574742 R	132,00
	M 28 S (PR-2B)	Mini Z8	574744 R	132,00
	M 35 S (PR-2B)	Mini Z8	574746 R	146,00
EUROTUBI EUROPA C-Steel Pressfitting System M-Profile ¹⁾	M 12		578310	156,00
	M 15		578312	156,00
	M 18		578314	156,00
	M 22		578316	156,00
	M 28		578318	156,00
	M 35		578390	189,00
	M 12 S (PR-2B)	Mini Z8	574736 R	132,00
	M 15 S (PR-2B)	Mini Z8	574738 R	132,00
	M 18 S (PR-2B)	Mini Z8	574740 R	132,00
	M 22 S (PR-2B)	Mini Z8	574742 R	132,00
EUROTUBI EUROPA Inox Pressfitting System M-Profile ¹⁾	M 12		578310	156,00
	M 15		578312	156,00
	M 18		578314	156,00
	M 22		578316	156,00
	M 28		578318	156,00
	M 35		578390	189,00
	M 15 S (PR-2B)	Mini Z8	574738 R	132,00
	M 18 S (PR-2B)	Mini Z8	574740 R	132,00
	M 22 S (PR-2B)	Mini Z8	574742 R	132,00
	M 28 S (PR-2B)	Mini Z8	574744 R	132,00
Evans Components Presslok	VAU 15 (1/2") (OD 12,7 mm)		578630	161,00
	VAU 20 (3/4") (OD 19,1 mm)		578632	161,00
	VAU 25 (1") (OD 25,4 mm)		578634	161,00

F

FAR Rubinetterie PRESSFAR	TH 14		578348	188,00
	TH 16		578352 R	188,00
	TH 17		578354	188,00
	TH 18		578356	188,00
	TH 20		578358 R	188,00
	TH 25		578360	188,00
	TH 26		578362 R	188,00
	TH 32		578364	188,00
	TH 40		578624	249,00
	TH 14 S (PR-2B)**	Mini Z8	574778 R	132,00
TH 16 S (PR-2B)**	Mini Z8	574782 R	132,00	
TH 17 S (PR-2B)**	Mini Z8	574784 R	132,00	
TH 18 S (PR-2B)**	Mini Z8	574786 R	132,00	
TH 20 S (PR-2B)**	Mini Z8	574788 R	132,00	
TH 25 S (PR-2B)**	Mini Z8	574792 R	132,00	
TH 26 S (PR-2B)**	Mini Z8	574794 R	132,00	
TH 32 S (PR-2B)	Mini Z8	574798 R	146,00	
H 14		578398	170,00	
H 16		578400	170,00	
H 18		578404	170,00	
H 20		578406	170,00	
H 26		578410	170,00	
H 32		578412	170,00	
U 14		578372	185,00	
U 16		578374	176,00	
U 18		578376	176,00	
U 20		578378	176,00	
U 25		578380	176,00	
U 32		578382	206,00	
U 40		578386	251,00	
F.B.Q. BARONIO BQ PRESS SOLAR	V 12		578324	156,00
	V 14		578326	156,00
	V 15		578328	156,00
	V 16		578330	156,00
	V 18		578332	156,00
	V 22		578334	156,00
	V 28		578336	156,00
	V 35		578604	189,00
	V 12 S (PR-2B)	Mini Z8	574748 R	132,00
	V 14 S (PR-2B)	Mini Z8	574800 R	132,00
V 15 S (PR-2B)	Mini Z8	574752 R	132,00	
V 16 S (PR-2B)	Mini Z8	574802 R	132,00	
V 18 S (PR-2B)	Mini Z8	574756 R	132,00	
V 22 S (PR-2B)	Mini Z8	574758 R	132,00	
V 28 S (PR-2B)	Mini Z8	574760 R	132,00	
V 35 S (PR-2B)	Mini Z8	574762 R	146,00	

System	Pressing tongs Mini/pressing rings	Drive with adapter tongs	Art.-No.	€
F.B.Q. BARONIO BQ PRESS WATER	V 12		578324	156,00
	V 14		578326	156,00
	V 15		578328	156,00
	V 16		578330	156,00
	V 18		578332	156,00
	V 22		578334	156,00
	V 28		578336	156,00
	V 35		578604	189,00
	V 12 S (PR-2B)	Mini Z8	574748 R	132,00
	V 14 S (PR-2B)	Mini Z8	574800 R	132,00
V 15 S (PR-2B)	Mini Z8	574752 R	132,00	
V 16 S (PR-2B)	Mini Z8	574802 R	132,00	
V 18 S (PR-2B)	Mini Z8	574756 R	132,00	
V 22 S (PR-2B)	Mini Z8	574758 R	132,00	
V 28 S (PR-2B)	Mini Z8	574760 R	132,00	
V 35 S (PR-2B)	Mini Z8	574762 R	146,00	
F.B.Q. BARONIO BQ PRESS GAS	V 12		578324	156,00
	V 14		578326	156,00
	V 15		578328	156,00
	V 16		578330	156,00
	V 18		578332	156,00
	V 22		578334	156,00
	V 28		578336	156,00
	V 35		578604	189,00
	V 12 S (PR-2B)	Mini Z8	574748 R	132,00
	V 14 S (PR-2B)	Mini Z8	574800 R	132,00
V 15 S (PR-2B)	Mini Z8	574752 R	132,00	
V 16 S (PR-2B)	Mini Z8	574802 R	132,00	
V 18 S (PR-2B)	Mini Z8	574756 R	132,00	
V 22 S (PR-2B)	Mini Z8	574758 R	132,00	
V 28 S (PR-2B)	Mini Z8	574760 R	132,00	
V 35 S (PR-2B)	Mini Z8	574762 R	146,00	
FERCOFLOOR DUO Press FERCO PEX	RFz 16		578492	196,00
	RFz 20		578494	196,00
	RFz 25		578496	196,00
	RFz 32		578498	196,00
	TH 16		578352 R	188,00
	TH 20		578358 R	188,00
	TH 25		578360	188,00
	TH 32		578364	188,00
	TH 40		578624	249,00
	TH 16 S (PR-2B)**	Mini Z8	574782 R	132,00
TH 20 S (PR-2B)**	Mini Z8	574788 R	132,00	
TH 25 S (PR-2B)**	Mini Z8	574792 R	132,00	
TH 32 S (PR-2B)	Mini Z8	574798 R	146,00	
FERCOFLOOR DUO Press MULTIFER	RFz 16		578492	196,00
	RFz 20		578494	196,00
	RFz 25		578496	196,00
	RFz 32		578498	196,00
	TH 16		578352 R	188,00
	TH 20		578358 R	188,00
	TH 25		578360	188,00
	TH 32		578364	188,00
	TH 40		578624	249,00
	TH 16 S (PR-2B)**	Mini Z8	574782 R	132,00
TH 20 S (PR-2B)**	Mini Z8	574788 R	132,00	
TH 25 S (PR-2B)**	Mini Z8	574792 R	132,00	
TH 32 S (PR-2B)	Mini Z8	574798 R	146,00	
FERRO systems BRASELI GPF GAS	U 16		578374	176,00
	U 18		578376	176,00
	U 20		578378	176,00
	U 25		578380	176,00
	U 32		578382	206,00
	U 40		578386	251,00
	TH 16 S (PR-2B)**	Mini Z8	574782 R	132,00
	TH 20 S (PR-2B)**	Mini Z8	574788 R	132,00
	TH 25 S (PR-2B)**	Mini Z8	574792 R	132,00
	TH 32 S (PR-2B)	Mini Z8	574798 R	146,00
FERRO systems BRASELI GPF PPSU Pressfitting PEX y MULTICAPA	U 16		578374	176,00
	U 18		578376	176,00
	U 20		578378	176,00
	U 25		578380	176,00
	U 32		578382	206,00
	U 40		578386	251,00
	RFz 16		578492	196,00
	RFz 20		578494	196,00
	RFz 25		578496	196,00
	RFz 32		578498	196,00
FILINOX Instalpress Steel	M 15		578312	156,00
	M 18		578314	156,00
	M 22		578316	156,00
	M 28		578318	156,00
	M 35		578390	189,00
	M 15 S (PR-2B)	Mini Z8	574738 R	132,00
	M 18 S (PR-2B)	Mini Z8	574740 R	132,00
	M 22 S (PR-2B)	Mini Z8	574742 R	132,00
	M 28 S (PR-2B)	Mini Z8	574744 R	132,00
	M 35 S (PR-2B)	Mini Z8	574746 R	146,00

System	Pressing tongs Mini/pressing rings	Drive with adapter tongs	Art.-No.	€
FILINOX	M 15		578312	156,00
Instalpress Inox	M 18		578314	156,00
	M 22		578316	156,00
	M 28		578318	156,00
	M 35		578390	189,00
	M 15 S (PR-2B)	Mini Z8	574738 R	132,00
	M 18 S (PR-2B)	Mini Z8	574740 R	132,00
	M 22 S (PR-2B)	Mini Z8	574742 R	132,00
	M 28 S (PR-2B)	Mini Z8	574744 R	132,00
	M 35 S (PR-2B)	Mini Z8	574746 R	146,00
FITTINGS ESTÁNDAR	RFz 16		578492	196,00
ECO-PRESS	RFz 20		578494	196,00
	RFz 25		578496	196,00
	RFz 32		578498	196,00
FITTINGS ESTÁNDAR	RFz 16		578492	196,00
MULTICAPA	RFz 18		578638	196,00
	RFz 20		578494	196,00
	RFz 25		578496	196,00
	RFz 32		578498	196,00
FITTINGS ESTÁNDAR	RFz 16		578492	196,00
PE-X	RFz 20		578494	196,00
	RFz 25		578496	196,00
	RFz 32		578498	196,00
	FORNARA	B 16		578468
ForPress	B 20		578472	205,00
	B 26		578474	226,00
	B 32		578476	226,00
	F 16		578456	179,00
	F 20		578460	179,00
	F 26		578462	194,00
	F 32		578464	194,00
	F 16 S (PR-2B)**	Mini Z8	574728 R	132,00
	F 20 S (PR-2B)**	Mini Z8	574730 R	132,00
	F 26 S (PR-2B)**	Mini Z8	574732 R	132,00
	F 32 S (PR-2B)	Mini Z8	574734 R	146,00
	H 16		578400	170,00
	H 20		578406	170,00
	H 26		578410	170,00
	H 32		578412	170,00
	TH 16		578352 R	188,00
	TH 20		578358 R	188,00
	TH 26		578362 R	188,00
	TH 32		578364	188,00
	TH 16 S (PR-2B)**	Mini Z8	574782 R	132,00
	TH 20 S (PR-2B)**	Mini Z8	574788 R	132,00
	TH 26 S (PR-2B)**	Mini Z8	574794 R	132,00
	TH 32 S (PR-2B)	Mini Z8	574798 R	146,00
	U 16		578374	176,00
	U 20		578378	176,00
	U 26 ⁷⁾		578392	206,00
	U 32		578382	206,00
FORZA	K16/P18		578592	196,00
WATER CRIMP (AUS)	K20		578594	196,00
	K25		578596	196,00
	K32		578598	196,00
	K140		578600	196,00
FORZA STAINLESS	K16/P18		578592	196,00
WATER CRIMP	K20		578594	196,00
FORZA	U 16		578374	176,00
STESSO PEX	U 20		578378	176,00
WATER AND GAS CRIMP (AUS)	U 25		578380	176,00
	U 32		578382	206,00
	U 40		578386	251,00
FORZA	K16/P18		578592	196,00
GAS CRIMP (AUS)	K20		578594	196,00
	K25		578596	196,00
	K32		578598	196,00
	K140		578600	196,00
FORZA	VAU 15 (OD 12,7 mm)		578630	161,00
COPPER V PRESS (AUS)	VAU 20 (OD 19,1 mm)		578632	161,00
	VAU 25 (OD 25,4 mm)		578634	161,00
	VAU 32 (OD 31,8 mm)		578636	170,00
	VAU 15 S (PR-2B) (OD 12,7 mm)	Mini Z8	574804 R	132,00
	VAU 20 S (PR-2B)** (OD 19,1 mm)	Mini Z8	574806 R	132,00
	VAU 25 S (PR-2B)** (OD 25,4 mm)	Mini Z8	574808 R	146,00

System	Pressing tongs Mini/pressing rings	Drive with adapter tongs	Art.-No.	€
FORZA	V 15		578328	156,00
STAINLESS V PRESS (AUS)	V 22		578334	156,00
	V 28		578336	156,00
	V 35		578604	189,00
	V 15 S (PR-2B)	Mini Z8	574752 R	132,00
	V 22 S (PR-2B)	Mini Z8	574758 R	132,00
	V 28 S (PR-2B)	Mini Z8	574760 R	132,00
V 35 S (PR-2B)	Mini Z8	574762 R	146,00	
FRABO	M 15		578312	156,00
FRABOPRESS 316 GAS M	M 18		578314	156,00
	M 22		578316	156,00
	M 28		578318	156,00
	M 35		578390	189,00
	M 15 S (PR-2B)	Mini Z8	574738 R	132,00
	M 18 S (PR-2B)	Mini Z8	574740 R	132,00
	M 22 S (PR-2B)	Mini Z8	574742 R	132,00
M 28 S (PR-2B)	Mini Z8	574744 R	132,00	
M 35 S (PR-2B)	Mini Z8	574746 R	146,00	
FRABO	V 15		578328	156,00
FRABOPRESS 316 GAS V	V 18		578332	156,00
	V 22		578334	156,00
	V 28		578336	156,00
	V 35		578604	189,00
	V 15 S (PR-2B)	Mini Z8	574752 R	132,00
	V 18 S (PR-2B)	Mini Z8	574756 R	132,00
	V 22 S (PR-2B)	Mini Z8	574758 R	132,00
	V 28 S (PR-2B)	Mini Z8	574760 R	132,00
	V 35 S (PR-2B)	Mini Z8	574762 R	146,00
	FRABO	M 15		578312
FRABOPRESS 316 M	M 18		578314	156,00
	M 22		578316	156,00
	M 28		578318	156,00
	M 35		578390	189,00
	M 15 S (PR-2B)	Mini Z8	574738 R	132,00
	M 18 S (PR-2B)	Mini Z8	574740 R	132,00
	M 22 S (PR-2B)	Mini Z8	574742 R	132,00
M 28 S (PR-2B)	Mini Z8	574744 R	132,00	
M 35 S (PR-2B)	Mini Z8	574746 R	146,00	
FRABO	V 12		578324	156,00
FRABOPRESS 316 V	V 15		578328	156,00
	V 18		578332	156,00
	V 22		578334	156,00
	V 28		578336	156,00
	V 35		578604	189,00
	V 12 S (PR-2B)	Mini Z8	574748 R	132,00
	V 15 S (PR-2B)	Mini Z8	574752 R	132,00
	V 18 S (PR-2B)	Mini Z8	574756 R	132,00
	V 22 S (PR-2B)	Mini Z8	574758 R	132,00
	V 28 S (PR-2B)	Mini Z8	574760 R	132,00
V 35 S (PR-2B)	Mini Z8	574762 R	146,00	
FRABO	V 12		578324	156,00
FRABOPRESS CHROME	V 15		578328	156,00
	V 18		578332	156,00
V 22		578334	156,00	
V 12 S (PR-2B)	Mini Z8	574748 R	132,00	
V 15 S (PR-2B)	Mini Z8	574752 R	132,00	
V 18 S (PR-2B)	Mini Z8	574756 R	132,00	
V 22 S (PR-2B)	Mini Z8	574758 R	132,00	
V 28 S (PR-2B)	Mini Z8	574760 R	132,00	
V 35 S (PR-2B)	Mini Z8	574762 R	146,00	
FRABO	M 15		578312	156,00
FRABOPRESS C-STEEL M	M 18		578314	156,00
	M 22		578316	156,00
	M 28		578318	156,00
	M 35		578390	189,00
M 15 S (PR-2B)	Mini Z8	574738 R	132,00	
M 18 S (PR-2B)	Mini Z8	574740 R	132,00	
M 22 S (PR-2B)	Mini Z8	574742 R	132,00	
M 28 S (PR-2B)	Mini Z8	574744 R	132,00	
M 35 S (PR-2B)	Mini Z8	574746 R	146,00	
FRABO	V 12		578324	156,00
FRABOPRESS C-STEEL V	V 15		578328	156,00
	V 18		578332	156,00
	V 22		578334	156,00
	V 12 S (PR-2B)	Mini Z8	574748 R	132,00
	V 15 S (PR-2B)	Mini Z8	574752 R	132,00
	V 18 S (PR-2B)	Mini Z8	574756 R	132,00
	V 22 S (PR-2B)	Mini Z8	574758 R	132,00
	V 28 S (PR-2B)	Mini Z8	574760 R	132,00
	V 35 S (PR-2B)	Mini Z8	574762 R	146,00

Pressfitting systems for gas installations may only be pressed with the pressing tongs Mini which are highlighted in yellow in the table.

Observe the national regulations. Read and observe the system provider's/manufacturer's instructions for use and assembly instructions.

** Can also be driven by the ROLLER'S Easy-Press manual radial press using the Z8 adapter tongs, see page 90. Observe the national regulations.

¹⁾ Only pressing tongs from designation "108" (1st quarter of 2008), "208" (2nd quarter of 2008) etc. can be used. The designation is stamped on every pressing jaw.

²⁾ For accommodating suitable pressing inserts.

³⁾ Only pressing tongs from designation "117" (1st quarter of 201), "217" (2nd quarter of 2017) etc. can be used. The designation is stamped on every pressing jaw.

⁴⁾ For pipes with the EN technical standard. Observe the system provider's/manufacturer's instructions for use.

⁵⁾ Only use Mini pressing tongs identified by "VMP ½" G" on the pressing jaws for gas installations.

⁷⁾ Previous designation: Mini C 26 pressing tongs

⁹⁾ For pipes with the ASTM technical standard. Observe the system provider's/manufacturer's instructions for use.

Suitability of the ROLLER'S pressing tools for pressfitting systems: Status 27.10.2023. The current status can be found on the Internet:

www.albert-roller.de → Downloads → Product Catalogues, Brochures → ROLLER Catalogue.

See page 79 for adapter tongs. Pressing tongs/pressing rings for other press fitting systems on request.

System	Pressing tongs Mini/pressing rings	Drive with adapter tongs	Art.-No.	€	System	Pressing tongs Mini/pressing rings	Drive with adapter tongs	Art.-No.	€
FRABO	M 12		578310	156,00	Fränkische	F 16		578456	179,00
FRABOPRESS	M 15		578312	156,00	alpex F50 PROFI	F 20		578460	179,00
GAS M	M 18		578314	156,00		F 26		578462	194,00
	M 22		578316	156,00		F 32		578464	194,00
	M 28		578318	156,00		F 16 S (PR-2B)**	Mini Z8	574728 R	132,00
	M 35		578390	189,00		F 20 S (PR-2B)**	Mini Z8	574730 R	132,00
	M 12 S (PR-2B)	Mini Z8	574736 R	132,00		F 26 S (PR-2B)**	Mini Z8	574732 R	132,00
	M 15 S (PR-2B)	Mini Z8	574738 R	132,00		F 32 S (PR-2B)**	Mini Z8	574734 R	146,00
	M 18 S (PR-2B)	Mini Z8	574740 R	132,00		H 16		578400	170,00
	M 22 S (PR-2B)	Mini Z8	574742 R	132,00		H 20		578406	170,00
	M 28 S (PR-2B)	Mini Z8	574744 R	132,00		H 26		578410	170,00
	M 35 S (PR-2B)	Mini Z8	574746 R	146,00		H 32		578412	170,00
FRABO	V 12		578324	156,00		TH 16		578352 R	188,00
FRABOPRESS	V 15		578328	156,00		TH 20		578358 R	188,00
GAS V	V 18		578332	156,00		TH 26		578362 R	188,00
	V 22		578334	156,00		TH 32		578364	188,00
	V 28		578336	156,00		TH 16 S (PR-2B)**	Mini Z8	574782 R	132,00
	V 35		578604	189,00		TH 20 S (PR-2B)**	Mini Z8	574788 R	132,00
	V 12 S (PR-2B)	Mini Z8	574748 R	132,00		TH 26 S (PR-2B)**	Mini Z8	574794 R	132,00
	V 15 S (PR-2B)	Mini Z8	574752 R	132,00		TH 32 S (PR-2B)**	Mini Z8	574798 R	146,00
	V 18 S (PR-2B)	Mini Z8	574756 R	132,00		U 16		578374	176,00
	V 22 S (PR-2B)	Mini Z8	574758 R	132,00	(DN 26)	U 20		578378	176,00
	V 28 S (PR-2B)	Mini Z8	574760 R	132,00		U 25		578380	176,00
	V 35 S (PR-2B)	Mini Z8	574762 R	146,00		U 32		578382	206,00
FRABO	V 12		578324	156,00		VP 16		578482	188,00
FRABOPRESS	V 15		578328	156,00		VP 20		578484	188,00
KOMBI	V 18		578332	156,00		VP 32		578488	207,00
	V 22		578334	156,00	Fränkische	Fz 40		578478	262,00
	V 28		578336	156,00	alpex L				
	V 35		578604	189,00	G				
	V 12 S (PR-2B)	Mini Z8	574748 R	132,00	gabotherm H+S	TH 10		578342	188,00
	V 15 S (PR-2B)	Mini Z8	574752 R	132,00		TH 12		578346	188,00
	V 18 S (PR-2B)	Mini Z8	574756 R	132,00		TH 14		578348	188,00
	V 22 S (PR-2B)	Mini Z8	574758 R	132,00		TH 15		578350	188,00
	V 28 S (PR-2B)	Mini Z8	574760 R	132,00		TH 16		578352 R	188,00
	V 35 S (PR-2B)	Mini Z8	574762 R	146,00		TH 17		578354	188,00
FRABO	M 12		578310	156,00		TH 18		578356	188,00
FRABOPRESS M	M 15		578312	156,00		TH 20		578358 R	188,00
	M 18		578314	156,00		TH 25		578360	188,00
	M 22		578316	156,00		TH 26		578362 R	188,00
	M 28		578318	156,00		TH 32		578364	188,00
	M 35		578390	189,00		TH 40		578624	249,00
	M 12 S (PR-2B)	Mini Z8	574736 R	132,00		TH 10 S (PR-2B)**	Mini Z8	574772 R	132,00
	M 15 S (PR-2B)	Mini Z8	574738 R	132,00		TH 12 S (PR-2B)**	Mini Z8	574776 R	132,00
	M 18 S (PR-2B)	Mini Z8	574740 R	132,00		TH 14 S (PR-2B)**	Mini Z8	574778 R	132,00
	M 22 S (PR-2B)	Mini Z8	574742 R	132,00		TH 15 S (PR-2B)**	Mini Z8	574780 R	132,00
	M 28 S (PR-2B)	Mini Z8	574744 R	132,00		TH 16 S (PR-2B)**	Mini Z8	574782 R	132,00
	M 35 S (PR-2B)	Mini Z8	574746 R	146,00		TH 17 S (PR-2B)**	Mini Z8	574784 R	132,00
FRABO	V 15		578328	156,00		TH 18 S (PR-2B)**	Mini Z8	574786 R	132,00
FRABOPRESS	V 18		578332	156,00		TH 20 S (PR-2B)**	Mini Z8	574788 R	132,00
SOLAR	V 22		578334	156,00		TH 25 S (PR-2B)**	Mini Z8	574792 R	132,00
	V 28		578336	156,00		TH 26 S (PR-2B)**	Mini Z8	574794 R	132,00
	V 35		578604	189,00		TH 32 S (PR-2B)	Mini Z8	574798 R	146,00
	V 15 S (PR-2B)	Mini Z8	574752 R	132,00	Gallagher USA	H 12 (¾")		578396	170,00
	V 18 S (PR-2B)	Mini Z8	574756 R	132,00	YogaPipe ACR	U 14 (¾")		578372	185,00
	V 22 S (PR-2B)	Mini Z8	574758 R	132,00		U 16 (¾")		578374	176,00
	V 28 S (PR-2B)	Mini Z8	574760 R	132,00		U 18 (¾")		578376	176,00
	V 35 S (PR-2B)	Mini Z8	574762 R	146,00		U 20 (¾")		578378	176,00
FRABO	V 12		578324	156,00		U 25 (¾")		578380	176,00
FRABOPRESS V	V 15		578328	156,00		U 32 (1½")		578382	206,00
	V 18		578332	156,00	Geberit Mapress	M 12		578310	156,00
	V 22		578334	156,00	C-STAHL	M 15		578312	156,00
	V 28		578336	156,00		M 18		578314	156,00
	V 35		578604	189,00		M 22		578316	156,00
	V 12 S (PR-2B)	Mini Z8	574748 R	132,00		M 28		578318	156,00
	V 15 S (PR-2B)	Mini Z8	574752 R	132,00		M 35		578390	189,00
	V 18 S (PR-2B)	Mini Z8	574756 R	132,00		M 12 S (PR-2B)	Mini Z8	574736 R	132,00
	V 22 S (PR-2B)	Mini Z8	574758 R	132,00		M 15 S (PR-2B)	Mini Z8	574738 R	132,00
	V 28 S (PR-2B)	Mini Z8	574760 R	132,00		M 18 S (PR-2B)	Mini Z8	574740 R	132,00
	V 35 S (PR-2B)	Mini Z8	574762 R	146,00		M 22 S (PR-2B)	Mini Z8	574742 R	132,00
Fränkische	F 16		578456	179,00		M 28 S (PR-2B)	Mini Z8	574744 R	132,00
alpex-duo XS	F 20		578460	179,00		M 35 S (PR-2B)	Mini Z8	574746 R	146,00
	F 26		578462	194,00	Geberit Mapress	M 22		578316	156,00
	F 32		578464	194,00	C-STAHL Sprinkler	M 28		578318	156,00
	F 16 S (PR-2B)**	Mini Z8	574728 R	132,00	nass				156,00
	F 20 S (PR-2B)**	Mini Z8	574730 R	132,00	Geberit Mapress	M 12		578310	156,00
	F 26 S (PR-2B)**	Mini Z8	574732 R	132,00	Edelstahl	M 15		578312	156,00
	F 32 S (PR-2B)**	Mini Z8	574734 R	146,00		M 18		578314	156,00
	TH 16		578352 R	188,00		M 22		578316	156,00
	TH 20		578358 R	188,00		M 28		578318	156,00
	TH 26		578362 R	188,00		M 35		578390	189,00
	TH 32		578364	188,00		M 12 S (PR-2B)	Mini Z8	574736 R	132,00
	TH 16 S (PR-2B)**	Mini Z8	574782 R	132,00		M 15 S (PR-2B)	Mini Z8	574738 R	132,00
	TH 20 S (PR-2B)**	Mini Z8	574788 R	132,00		M 18 S (PR-2B)	Mini Z8	574740 R	132,00
	TH 26 S (PR-2B)**	Mini Z8	574794 R	132,00		M 22 S (PR-2B)	Mini Z8	574742 R	132,00
	TH 32 S (PR-2B)**	Mini Z8	574798 R	146,00		M 28 S (PR-2B)	Mini Z8	574744 R	132,00
						M 35 S (PR-2B)	Mini Z8	574746 R	146,00

System	Pressing tongs Mini/pressing rings	Drive with adapter tongs	Art.-No.	€	System	Pressing tongs Mini/pressing rings	Drive with adapter tongs	Art.-No.	€
Geberit Mapress	M 15		578312	156,00	General Fittings	B 16		578468	205,00
Edelstahl Gas	M 18		578314	156,00	Serie SS00	B 18		578470	205,00
	M 22		578316	156,00		B 20		578472	205,00
	M 28		578318	156,00		B 26		578474	226,00
	M 35		578390	189,00		B 32		578476	226,00
	M 15 S (PR-2B)	Mini Z8	574738 R	132,00		F 16		578456	179,00
	M 18 S (PR-2B)	Mini Z8	574740 R	132,00		F 20		578460	179,00
	M 22 S (PR-2B)	Mini Z8	574742 R	132,00		F 26		578462	194,00
	M 28 S (PR-2B)	Mini Z8	574744 R	132,00		F 32		578464	194,00
	M 35 S (PR-2B)	Mini Z8	574746 R	146,00		F 16 S (PR-2B)**	Mini Z8	574728 R	132,00
Geberit Mapress	M 22		578316	156,00		F 20 S (PR-2B)**	Mini Z8	574730 R	132,00
Edelstahl Sprinkler	M 28		578318	156,00		F 26 S (PR-2B)**	Mini Z8	574732 R	132,00
Geberit Mapress	M 12		578310	156,00		F 32 S (PR-2B)	Mini Z8	574734 R	146,00
Kupfer	M 15		578312	156,00		H 16		578400	170,00
	M 18		578314	156,00		H 18		578404	170,00
	M 22		578316	156,00		H 20		578406	170,00
	M 28		578318	156,00		H 25		578408	170,00
	M 35		578390	189,00		H 26		578410	170,00
	M 12 S (PR-2B)	Mini Z8	574736 R	132,00		H 32		578412	170,00
	M 15 S (PR-2B)	Mini Z8	574738 R	132,00		TH 16		578352 R	188,00
	M 18 S (PR-2B)	Mini Z8	574740 R	132,00		TH 18		578356	188,00
	M 22 S (PR-2B)	Mini Z8	574742 R	132,00		TH 20		578358 R	188,00
	M 28 S (PR-2B)	Mini Z8	574744 R	132,00		TH 25		578360	188,00
	M 35 S (PR-2B)	Mini Z8	574746 R	146,00		TH 26		578362 R	188,00
Geberit Mapress	M 15		578312	156,00		TH 32		578364	188,00
Kupfer Gas	M 18		578314	156,00		TH 40		578624	249,00
	M 22		578316	156,00		TH 16 S (PR-2B)**	Mini Z8	574782 R	132,00
	M 28		578318	156,00		TH 18 S (PR-2B)**	Mini Z8	574786 R	132,00
	M 35		578390	189,00		TH 20 S (PR-2B)**	Mini Z8	574788 R	132,00
	M 15 S (PR-2B)	Mini Z8	574738 R	132,00		TH 25 S (PR-2B)**	Mini Z8	574792 R	132,00
	M 18 S (PR-2B)	Mini Z8	574740 R	132,00		TH 26 S (PR-2B)**	Mini Z8	574794 R	132,00
	M 22 S (PR-2B)	Mini Z8	574742 R	132,00		TH 32 S (PR-2B)	Mini Z8	574798 R	146,00
	M 28 S (PR-2B)	Mini Z8	574744 R	132,00		U 16		578374	176,00
	M 35 S (PR-2B)	Mini Z8	574746 R	146,00		U 18		578376	176,00
Geberit Mepla	G 16		578444	189,00		U 20		578378	176,00
	G 20		578446	189,00		U 25		578380	176,00
	G 26		578448	200,00		U 32		578382	206,00
	G 32		578450	214,00		U 40		578386	251,00
	G 40		578452	276,00	General Fittings	H 16		578400	170,00
Geberit Mepla	G 16		578444	189,00	Trident	H 20		578406	170,00
Therm	G 20		578446	189,00		H 26		578410	170,00
	G 26		578448	200,00		H 32		578412	170,00
Geberit Volex	TH 16		578352 R	188,00		TH 16		578352 R	188,00
	TH 20		578358 R	188,00		TH 20		578358 R	188,00
	TH 26		578362 R	188,00		TH 26		578362 R	188,00
General Fittings	H 16		578400	170,00		TH 32		578364	188,00
5T00	H 20		578406	170,00		TH 16 S (PR-2B)**	Mini Z8	574782 R	132,00
	H 26		578410	170,00		TH 20 S (PR-2B)**	Mini Z8	574788 R	132,00
	H 32		578412	170,00		TH 26 S (PR-2B)**	Mini Z8	574794 R	132,00
	TH 16		578352 R	188,00		TH 32 S (PR-2B)	Mini Z8	574798 R	146,00
	TH 20		578358 R	188,00		U 16		578374	176,00
	TH 26		578362 R	188,00		U 20		578378	176,00
	TH 32		578364	188,00		U 32		578382	206,00
	TH 40		578624	249,00	General Fittings	H 16		578400	170,00
	TH 16 S (PR-2B)**	Mini Z8	574782 R	132,00	Trident Gas	H 20		578406	170,00
	TH 20 S (PR-2B)**	Mini Z8	574788 R	132,00		H 26		578410	170,00
	TH 26 S (PR-2B)**	Mini Z8	574794 R	132,00		TH 16		578352 R	188,00
	TH 32 S (PR-2B)	Mini Z8	574798 R	146,00		TH 20		578358 R	188,00
	U 16		578374	176,00		TH 26		578362 R	188,00
	U 20		578378	176,00		TH 32		578364	188,00
	U 32		578382	206,00		TH 16 S (PR-2B)**	Mini Z8	574782 R	132,00
	U 40		578386	251,00		TH 20 S (PR-2B)**	Mini Z8	574788 R	132,00
General Fittings	H 16		578400	170,00		TH 26 S (PR-2B)**	Mini Z8	574794 R	132,00
Ewoprex	H 20		578406	170,00		TH 32 S (PR-2B)	Mini Z8	574798 R	146,00
	H 26		578410	170,00		U 16		578374	176,00
	H 32		578412	170,00		U 20		578378	176,00
	TH 16		578352 R	188,00		U 32		578382	206,00
	TH 20		578358 R	188,00		U 40		578386	251,00
	TH 26		578362 R	188,00	Giacomini	H 16		578400	170,00
	TH 32		578364	188,00	Raccordi RM	H 20		578406	170,00
	TH 40		578624	249,00	Giacomini	H 26		578410	170,00
	TH 16 S (PR-2B)**	Mini Z8	574782 R	132,00		H 32		578412	170,00
	TH 20 S (PR-2B)**	Mini Z8	574788 R	132,00		TH 16		578352 R	188,00
	TH 26 S (PR-2B)**	Mini Z8	574794 R	132,00		TH 20		578358 R	188,00
	TH 32 S (PR-2B)	Mini Z8	574798 R	146,00		TH 26		578362 R	188,00
	U 16		578374	176,00		TH 32		578364	188,00
	U 20		578378	176,00		TH 16 S (PR-2B)**	Mini Z8	574782 R	132,00
	U 32		578382	206,00		TH 20 S (PR-2B)**	Mini Z8	574788 R	132,00
	U 40		578386	251,00		TH 26 S (PR-2B)**	Mini Z8	574794 R	132,00
						TH 32 S (PR-2B)	Mini Z8	574798 R	146,00
						U 16		578374	176,00
						U 20		578378	176,00
						U 32		578382	206,00
						U 40		578386	251,00

Pressfitting systems for gas installations may only be pressed with the pressing tongs Mini which are highlighted in yellow in the table.

Observe the national regulations. Read and observe the system provider's/manufacturer's instructions for use and assembly instructions.

** Can also be driven by the ROLLER'S Easy-Press manual radial press using the Z8 adapter tongs, see page 90. Observe the national regulations.

1) Only pressing tongs from designation "108" (1st quarter of 2008), "208" (2nd quarter of 2008) etc. can be used. The designation is stamped on every pressing jaw.

2) For accommodating suitable pressing inserts.

3) Only pressing tongs from designation "117" (1st quarter of 201), "217" (2nd quarter of 2017) etc. can be used. The designation is stamped on every pressing jaw.

4) For pipes with the EN technical standard. Observe the system provider's/manufacturer's instructions for use.

5) Only use Mini pressing tongs identified by "VMP 1/2" G" on the pressing jaws for gas installations.

7) Previous designation: Mini C 26 pressing tongs

9) For pipes with the ASTM technical standard. Observe the system provider's/manufacturer's instructions for use.

Suitability of the ROLLER'S pressing tools for pressfitting systems: Status 27.10.2023. The current status can be found on the Internet:

www.albert-roller.de → Downloads → Product Catalogues, Brochures → ROLLER Catalogue.

See page 79 for adapter tongs. Pressing tongs/pressing rings for other press fitting systems on request.

System	Pressing tongs Mini/pressing rings	Drive with adapter tongs	Art.-No.	€	System	Pressing tongs Mini/pressing rings	Drive with adapter tongs	Art.-No.	€	
Giacomini RM MULTIGAS	H 16		578400	170,00	Herotec tempusPRESS PLUS	H 16		578400	170,00	
	H 20		578406	170,00		H 20		578406	170,00	
	H 26		578410	170,00		H 25		578408	170,00	
	H 32		578412	170,00		H 32		578412	170,00	
	TH 16		578352 R	188,00		RFz 16		578492	196,00	
	TH 20		578358 R	188,00		RFz 20		578494	196,00	
	TH 26		578362 R	188,00		RFz 25		578496	196,00	
	TH 32		578364	188,00		RFz 32		578498	196,00	
	U 16		578374	176,00		TH 16		578352 R	188,00	
	U 20		578378	176,00		TH 20		578358 R	188,00	
	U 32		578382	206,00		TH 25		578360	188,00	
	Giacomini Valvole Giacomini serie R850V	V 15		578328		156,00	TH 32		578364	188,00
V 18			578332	156,00	TH 40		578624	249,00		
V 22			578334	156,00	TH 16 S (PR-2B)**	Mini Z8	574782 R	132,00		
V 28			578336	156,00	TH 20 S (PR-2B)**	Mini Z8	574788 R	132,00		
V 35			578604	189,00	TH 25 S (PR-2B)**	Mini Z8	574792 R	132,00		
V 15 S (PR-2B)		Mini Z8	574752 R	132,00	TH 32 S (PR-2B)**	Mini Z8	574798 R	146,00		
V 18 S (PR-2B)		Mini Z8	574756 R	132,00	U 16		578374	176,00		
V 22 S (PR-2B)		Mini Z8	574758 R	132,00	U 20		578378	176,00		
V 28 S (PR-2B)		Mini Z8	574760 R	132,00	U 25		578380	176,00		
V 35 S (PR-2B)		Mini Z8	574762 R	146,00	U 32		578382	206,00		
SA 15			578514	188,00	U 40		578386	251,00		
SA 18			578518	188,00	Herotec tempusPRESS PLUS PPSU	H 16		578400	170,00	
SA 22			578520	188,00		H 20		578406	170,00	
SA 28			578522	188,00		H 25		578408	170,00	
M 15			578312	156,00		H 32		578412	170,00	
M 18			578314	156,00		TH 16		578352 R	188,00	
M 22			578316	156,00		TH 20		578358 R	188,00	
M 28			578318	156,00		TH 25		578360	188,00	
M 35			578390	189,00		TH 32		578364	188,00	
M 15 S (PR-2B)		Mini Z8	574738 R	132,00		TH 40		578624	249,00	
M 18 S (PR-2B)		Mini Z8	574740 R	132,00		TH 16 S (PR-2B)**	Mini Z8	574782 R	132,00	
M 22 S (PR-2B)		Mini Z8	574742 R	132,00		TH 20 S (PR-2B)**	Mini Z8	574788 R	132,00	
M 28 S (PR-2B)		Mini Z8	574744 R	132,00		TH 25 S (PR-2B)**	Mini Z8	574792 R	132,00	
M 35 S (PR-2B)		Mini Z8	574746 R	146,00	TH 32 S (PR-2B)**	Mini Z8	574798 R	146,00		
Golan Pipe Systems (Scandinavia) Alu-Pres	U 16		578374	176,00	HERZ PIPEFIX	TH 10		578342	188,00	
	U 20		578378	176,00		TH 16		578352 R	188,00	
	U 25		578380	176,00		TH 20		578358 R	188,00	
	U 32		578382	206,00		TH 26		578362 R	188,00	
U 40		578386	251,00	TH 32			578364	188,00		
Grinnell G-PRESS Copper Fittings	VUS ½" (OD 15,9 mm)		578566	189,00		TH 40		578624	249,00	
	VUS ¾" (OD 22,2 mm)		578568	189,00		TH 10 S (PR-2B)**	Mini Z8	574772 R	132,00	
	VUS 1" (OD 28,6 mm)		578570	189,00		TH 16 S (PR-2B)**	Mini Z8	574782 R	132,00	
	VUS 1½" (OD 34,9 mm)		578606	189,00		TH 20 S (PR-2B)**	Mini Z8	574788 R	132,00	
GS Wärmesysteme System TH	TH 14		578348	188,00		TH 26 S (PR-2B)**	Mini Z8	574794 R	132,00	
	TH 16		578352 R	188,00		TH 32 S (PR-2B)**	Mini Z8	574798 R	146,00	
	TH 20		578358 R	188,00		HIDRONIX MULTIGAS	TH 16		578352 R	188,00
	TH 26		578362 R	188,00	TH 20			578358 R	188,00	
	TH 32		578364	188,00	TH 26			578362 R	188,00	
	TH 40		578624	249,00	TH 14			578348	188,00	
	TH 14 S (PR-2B)**	Mini Z8	574778 R	132,00	TH 16			578352 R	188,00	
	TH 16 S (PR-2B)**	Mini Z8	574782 R	132,00	TH 20			578358 R	188,00	
	TH 20 S (PR-2B)**	Mini Z8	574788 R	132,00	TH 26			578362 R	188,00	
	TH 26 S (PR-2B)**	Mini Z8	574794 R	132,00	TH 32			578364	188,00	
	TH 32 S (PR-2B)**	Mini Z8	574798 R	146,00	H 14			578398	170,00	
	GS Wärmesysteme System V	V 15		578328	156,00		H 16		578400	170,00
V 18			578332	156,00	H 18			578404	170,00	
V 22			578334	156,00	H 20			578406	170,00	
V 28			578336	156,00	H 26		578410	170,00		
V 35			578604	189,00	H 32		578412	170,00		
V 15 S (PR-2B)		Mini Z8	574752 R	132,00	U 14		578372	185,00		
V 18 S (PR-2B)		Mini Z8	574756 R	132,00	U 16		578374	176,00		
V 22 S (PR-2B)		Mini Z8	574758 R	132,00	U 18		578376	176,00		
V 28 S (PR-2B)		Mini Z8	574760 R	132,00	U 20		578378	176,00		
V 35 S (PR-2B)		Mini Z8	574762 R	146,00	U 26 ^o		578392	206,00		
HASTINIK Hastinik/Hitpress		M 15		578312	156,00	U 32		578382	206,00	
		M 18		578314	156,00	HIDRONIX UNICO	TH 14		578348	188,00
	M 22		578316	156,00	TH 16			578352 R	188,00	
	M 28		578318	156,00	TH 20			578358 R	188,00	
	M 35		578390	189,00	TH 26			578362 R	188,00	
	M 15 S (PR-2B)	Mini Z8	574738 R	132,00	TH 32			578364	188,00	
	M 18 S (PR-2B)	Mini Z8	574740 R	132,00	H 14			578398	170,00	
	M 22 S (PR-2B)	Mini Z8	574742 R	132,00	H 16			578400	170,00	
	M 28 S (PR-2B)	Mini Z8	574744 R	132,00	H 18			578404	170,00	
	M 35 S (PR-2B)	Mini Z8	574746 R	146,00	H 20			578406	170,00	
	heima24	TH 16		578352 R	188,00		H 26		578410	170,00
		TH 20		578358 R	188,00		H 32		578412	170,00
TH 26			578362 R	188,00	U 14			578372	185,00	
TH 32			578364	188,00	U 16		578374	176,00		
TH 40			578624	249,00	U 18		578376	176,00		
TH 16 S (PR-2B)**		Mini Z8	574782 R	132,00	U 20		578378	176,00		
TH 20 S (PR-2B)**		Mini Z8	574788 R	132,00	U 26 ^o		578392	206,00		
TH 26 S (PR-2B)**		Mini Z8	574794 R	132,00	U 32		578382	206,00		
TH 32 S (PR-2B)**		Mini Z8	574798 R	146,00	HITEC Sistema Multistrato	TH 14		578348	188,00	
U 16			578374	176,00		TH 16		578352 R	188,00	
U 20			578378	176,00		TH 18		578356	188,00	
U 32			578382	206,00		TH 20		578358 R	188,00	
HELIROMA Klimapress	U 16		578374	176,00		TH 26		578362 R	188,00	
	U 20		578378	176,00		TH 32		578364	188,00	
	U 25		578380	176,00		TH 40		578624	249,00	
	U 32		578382	206,00		TH 14 S (PR-2B)**	Mini Z8	574778 R	132,00	
	U 40		578386	251,00		TH 16 S (PR-2B)**	Mini Z8	574782 R	132,00	
HELIROMA Klimapress PPSU	U 16		578374	176,00		TH 18 S (PR-2B)**	Mini Z8	574786 R	132,00	
	U 20		578378	176,00		TH 20 S (PR-2B)**	Mini Z8	574788 R	132,00	
	U 25		578380	176,00		TH 26 S (PR-2B)**	Mini Z8	574794 R	132,00	
	U 32		578382	206,00	TH 32 S (PR-2B)**	Mini Z8	574798 R	146,00		
Henco	TH 14		578348	188,00	HITHERM-ISOTUBI NUMEPRESS	M 15		578312	156,00	
	TH 16		578352 R	188,00		M 18		578314	156,00	
	TH 18		578356	188,00		M 22		578316	156,00	
	TH 20		578358 R	188,00		M 28		578318	156,00	
	TH 26		578362 R	188,00		M 35		578390	189,00	
	HE 32		578370 R	225,00		M 15 S (PR-2B)	Mini Z8	574738 R	132,00	
						M 18 S (PR-2B)	Mini Z8	574740 R	132,00	
						M 22 S (PR-2B)	Mini Z8	574742 R	132,00	
				M 28 S (PR-2B)		Mini Z8	574744 R	132,00		
				M 35 S (PR-2B)		Mini Z8	574746 R	146,00		

H

System	Pressing tongs Mini/pressing rings	Drive with adapter tongs	Art.-No.	€	System	Pressing tongs Mini/pressing rings	Drive with adapter tongs	Art.-No.	€
HITHERM-ISOTUBI	M 15		578312	156,00	ICMA	TH 16		578352 R	188,00
HTpress	M 18		578314	156,00	Sempigas	TH 20		578358 R	188,00
	M 22		578316	156,00		TH 25		578360	188,00
	M 28		578318	156,00		TH 26		578362 R	188,00
	M 35		578390	189,00		TH 32		578364	188,00
	M 15 S (PR-2B)	Mini Z8	574738 R	132,00		TH 16 S (PR-2B)**	Mini Z8	574782 R	132,00
	M 18 S (PR-2B)	Mini Z8	574740 R	132,00		TH 20 S (PR-2B)**	Mini Z8	574788 R	132,00
	M 22 S (PR-2B)	Mini Z8	574742 R	132,00		TH 26 S (PR-2B)**	Mini Z8	574794 R	132,00
	M 28 S (PR-2B)	Mini Z8	574744 R	132,00		TH 32 S (PR-2B)	Mini Z8	574798 R	146,00
	M 35 S (PR-2B)	Mini Z8	574746 R	146,00	Idrosanitaria	TH 16		578352 R	188,00
HITHERM-ISOTUBI	M 15		578312	156,00	Bonomi	TH 20		578358 R	188,00
HTfire	M 18		578314	156,00	Homegas	TH 26		578362 R	188,00
	M 22		578316	156,00		TH 16 S (PR-2B)**	Mini Z8	574782 R	132,00
	M 28		578318	156,00		TH 20 S (PR-2B)**	Mini Z8	574788 R	132,00
	M 35		578390	189,00		TH 26 S (PR-2B)**	Mini Z8	574794 R	132,00
	M 15 S (PR-2B)	Mini Z8	574738 R	132,00	Idrosanitaria	TH 16		578352 R	188,00
	M 18 S (PR-2B)	Mini Z8	574740 R	132,00	Bonomi	TH 20		578358 R	188,00
	M 22 S (PR-2B)	Mini Z8	574742 R	132,00	Idropress	TH 26		578362 R	188,00
	M 28 S (PR-2B)	Mini Z8	574744 R	132,00		TH 32		578364	188,00
	M 35 S (PR-2B)	Mini Z8	574746 R	146,00		TH 40		578624	249,00
HITHERM-ISOTUBI	M 15		578312	156,00		TH 16 S (PR-2B)**	Mini Z8	574782 R	132,00
HTair	M 18		578314	156,00		TH 20 S (PR-2B)**	Mini Z8	574788 R	132,00
	M 22		578316	156,00		TH 26 S (PR-2B)**	Mini Z8	574794 R	132,00
	M 28		578318	156,00		TH 32 S (PR-2B)	Mini Z8	574798 R	146,00
	M 35		578390	189,00	IDROSISTEMI	TH 16		578352 R	188,00
	M 15 S (PR-2B)	Mini Z8	574738 R	132,00	Ta-Press	TH 20		578358 R	188,00
	M 18 S (PR-2B)	Mini Z8	574740 R	132,00		TH 26		578362 R	188,00
	M 22 S (PR-2B)	Mini Z8	574742 R	132,00		TH 32		578364	188,00
	M 28 S (PR-2B)	Mini Z8	574744 R	132,00		TH 40		578624	249,00
	M 35 S (PR-2B)	Mini Z8	574746 R	146,00		TH 16 S (PR-2B)**	Mini Z8	574782 R	132,00
Hopewell	M 15		578312	156,00		TH 20 S (PR-2B)**	Mini Z8	574788 R	132,00
press fit system	M 18		578314	156,00		TH 26 S (PR-2B)**	Mini Z8	574794 R	132,00
	M 22		578316	156,00		TH 32 S (PR-2B)	Mini Z8	574798 R	146,00
	M 28		578318	156,00		F 16		578456	179,00
	M 35		578390	189,00		F 20		578460	179,00
hp praski	TH 10		578342	188,00		F 26		578462	194,00
BAVARIA-press	TH 12		578346	188,00		F 32		578464	194,00
	TH 14		578348	188,00		F 16 S (PR-2B)**	Mini Z8	574728 R	132,00
	TH 16		578352 R	188,00		F 20 S (PR-2B)**	Mini Z8	574730 R	132,00
	TH 17		578354	188,00		F 26 S (PR-2B)**	Mini Z8	574732 R	132,00
	TH 20		578358 R	188,00		F 32 S (PR-2B)	Mini Z8	574734 R	146,00
	TH 25		578360	188,00		Fz 40		578478	262,00
	TH 26		578362 R	188,00		H 16		578400	170,00
	TH 32		578364	188,00		H 20		578406	170,00
	TH 40		578624	249,00		H 26		578410	170,00
	TH 10 S (PR-2B)**	Mini Z8	574772 R	132,00		H 32		578412	170,00
	TH 12 S (PR-2B)**	Mini Z8	574776 R	132,00		U 16		578374	176,00
	TH 14 S (PR-2B)**	Mini Z8	574778 R	132,00		U 20		578378	176,00
	TH 16 S (PR-2B)**	Mini Z8	574782 R	132,00		U 26 ⁷⁾		578392	206,00
	TH 17 S (PR-2B)**	Mini Z8	574784 R	132,00		U 32		578382	206,00
	TH 20 S (PR-2B)**	Mini Z8	574788 R	132,00		U 40		578386	251,00
	TH 25 S (PR-2B)**	Mini Z8	574792 R	132,00		B 16		578468	205,00
	TH 26 S (PR-2B)**	Mini Z8	574794 R	132,00		B 20		578472	205,00
	TH 32 S (PR-2B)	Mini Z8	574798 R	146,00		B 26		578474	226,00
						B 32		578476	226,00
					IDROTRADE	H 16		578400	170,00
					Storm Multipinza	H 20		578406	170,00
						H 26		578410	170,00
						H 32		578412	170,00
						TH 16		578352 R	188,00
						TH 20		578358 R	188,00
						TH 26		578362 R	188,00
						TH 32		578364	188,00
						THL 32		578368	188,00
						TH 40		578624	249,00
						TH 16 S (PR-2B)**	Mini Z8	574782 R	132,00
						TH 20 S (PR-2B)**	Mini Z8	574788 R	132,00
						TH 26 S (PR-2B)**	Mini Z8	574794 R	132,00
						TH 32 S (PR-2B)	Mini Z8	574798 R	146,00
						U 16		578374	176,00
						U 20		578378	176,00
					IDROTRADE	M 15		578312	156,00
					StormPRES ⁹⁾	M 18		578314	156,00
						M 22		578316	156,00
						M 28		578318	156,00
						M 35		578390	189,00
						M 15 S (PR-2B)	Mini Z8	574738 R	132,00
						M 18 S (PR-2B)	Mini Z8	574740 R	132,00
						M 22 S (PR-2B)	Mini Z8	574742 R	132,00
						M 28 S (PR-2B)	Mini Z8	574744 R	132,00
						M 35 S (PR-2B)	Mini Z8	574746 R	146,00

I

Pressfitting systems for gas installations may only be pressed with the pressing tongs Mini which are highlighted in yellow in the table.

Observe the national regulations. Read and observe the system provider's/manufacturer's instructions for use and assembly instructions.

** Can also be driven by the ROLLER'S Easy-Press manual radial press using the Z8 adapter tongs, see page 90. Observe the national regulations.

¹⁾ Only pressing tongs from designation "108" (1st quarter of 2008), "208" (2nd quarter of 2008) etc. can be used. The designation is stamped on every pressing jaw.

²⁾ For accommodating suitable pressing inserts.

³⁾ Only pressing tongs from designation "117" (1st quarter of 201), "217" (2nd quarter of 2017) etc. can be used. The designation is stamped on every pressing jaw.

⁴⁾ For pipes with the EN technical standard. Observe the system provider's/manufacturer's instructions for use.

⁵⁾ Only use Mini pressing tongs identified by "VMP ½" G" on the pressing jaws for gas installations.

⁷⁾ Previous designation: Mini C 26 pressing tongs

⁹⁾ For pipes with the ASTM technical standard. Observe the system provider's/manufacturer's instructions for use.

Suitability of the ROLLER'S pressing tools for pressfitting systems: Status 27.10.2023. The current status can be found on the Internet:

www.albert-roller.de → Downloads → Product Catalogues, Brochures → ROLLER Catalogue.

See page 79 for adapter tongs. Pressing tongs/pressing rings for other press fitting systems on request.

System	Pressing tongs Mini/pressing rings	Drive with adapter tongs	Art.-No.	€	
IDROTRADE StormSTEEL ¹	M 12		578310	156,00	
	M 15		578312	156,00	
	M 18		578314	156,00	
	M 22		578316	156,00	
	M 28		578318	156,00	
	M 35		578390	189,00	
	M 12 S (PR-2B)	Mini Z8	574736 R	132,00	
	M 15 S (PR-2B)	Mini Z8	574738 R	132,00	
	M 18 S (PR-2B)	Mini Z8	574740 R	132,00	
	M 22 S (PR-2B)	Mini Z8	574742 R	132,00	
	M 28 S (PR-2B)	Mini Z8	574744 R	132,00	
	M 35 S (PR-2B)	Mini Z8	574746 R	146,00	
	ILTA INOX/CHIBRO Pressfitting Cuni	M 15		578312	156,00
		M 18		578314	156,00
		M 22		578316	156,00
M 28			578318	156,00	
M 35			578390	189,00	
M 15 S (PR-2B)		Mini Z8	574738 R	132,00	
M 18 S (PR-2B)		Mini Z8	574740 R	132,00	
M 22 S (PR-2B)		Mini Z8	574742 R	132,00	
M 28 S (PR-2B)		Mini Z8	574744 R	132,00	
M 35 S (PR-2B)		Mini Z8	574746 R	146,00	
ILTA INOX/CHIBRO Pressfitting inox	M 15		578312	156,00	
	M 18		578314	156,00	
	M 22		578316	156,00	
	M 28		578318	156,00	
	M 35		578390	189,00	
	M 15 S (PR-2B)	Mini Z8	574738 R	132,00	
	M 18 S (PR-2B)	Mini Z8	574740 R	132,00	
	M 22 S (PR-2B)	Mini Z8	574742 R	132,00	
	M 28 S (PR-2B)	Mini Z8	574744 R	132,00	
	M 35 S (PR-2B)	Mini Z8	574746 R	146,00	
Instantor Press System	TH 16		578352 R	188,00	
	TH 20		578358 R	188,00	
	TH 26		578362 R	188,00	
	TH 32		578364	188,00	
	TH 16 S (PR-2B)**	Mini Z8	574782 R	132,00	
	TH 20 S (PR-2B)**	Mini Z8	574788 R	132,00	
	TH 26 S (PR-2B)**	Mini Z8	574794 R	132,00	
	TH 32 S (PR-2B)**	Mini Z8	574798 R	146,00	
Instantor Copper Press Imperial	VI ½" (OD 14,7 mm)		578716	187,00	
	VI ¾" (OD 21,0 mm)		578718	187,00	
	VI 1" (OD 27,4 mm)		578720	187,00	
	VI ½" S (PR-2B)	Mini Z8	574850 R	132,00	
	VI ¾" S (PR-2B)	Mini Z8	574852 R	132,00	
VI 1" S (PR-2B)	Mini Z8	574854 R	132,00		
Instantor Copper Press Metric	M 15		578312	156,00	
	M 22		578316	156,00	
	M 28		578318	156,00	
	M 15 S (PR-2B)	Mini Z8	574738 R	132,00	
	M 22 S (PR-2B)	Mini Z8	574742 R	132,00	
	M 28 S (PR-2B)	Mini Z8	574744 R	132,00	
IPA IPANA Press	TH 10		578342	188,00	
	TH 11,6		578344	188,00	
	TH 12		578346	188,00	
	TH 14		578348	188,00	
	TH 15		578350	188,00	
	TH 16		578352 R	188,00	
	TH 17		578354	188,00	
	TH 18		578356	188,00	
	TH 20		578358 R	188,00	
	TH 22		578588	188,00	
	TH 25		578360	188,00	
	TH 26		578362 R	188,00	
	TH 28		578590	188,00	
	TH 32		578364	188,00	
	TH 40		578624	249,00	
	TH 10 S (PR-2B)**	Mini Z8	574772 R	132,00	
	TH 11,6 S (PR-2B)**	Mini Z8	574774 R	132,00	
	TH 12 S (PR-2B)**	Mini Z8	574776 R	132,00	
	TH 14 S (PR-2B)**	Mini Z8	574778 R	132,00	
	TH 15 S (PR-2B)**	Mini Z8	574780 R	132,00	
	TH 16 S (PR-2B)**	Mini Z8	574782 R	132,00	
	TH 17 S (PR-2B)**	Mini Z8	574784 R	132,00	
	TH 18 S (PR-2B)**	Mini Z8	574786 R	132,00	
	TH 20 S (PR-2B)**	Mini Z8	574788 R	132,00	
	TH 22 S (PR-2B)**	Mini Z8	574790 R	132,00	
	TH 25 S (PR-2B)**	Mini Z8	574792 R	132,00	
	TH 26 S (PR-2B)**	Mini Z8	574794 R	132,00	
	TH 28 S (PR-2B)**	Mini Z8	574796 R	146,00	
	TH 32 S (PR-2B)**	Mini Z8	574798 R	146,00	
	IPA THu IPANA Press	TH 16		578352 R	188,00
		TH 20		578358 R	188,00
		TH 26		578362 R	188,00
		TH 32		578364	188,00
TH 40			578624	249,00	
TH 16 S (PR-2B)**		Mini Z8	574782 R	132,00	
TH 20 S (PR-2B)**		Mini Z8	574788 R	132,00	
TH 26 S (PR-2B)**		Mini Z8	574794 R	132,00	
TH 32 S (PR-2B)**		Mini Z8	574798 R	146,00	
IPALPEX (Industrie du Plastique et Accessoires)		TH 14		578348	188,00
	TH 16		578352 R	188,00	
	TH 18		578356	188,00	
	TH 20		578358 R	188,00	
	TH 26		578362 R	188,00	
	THL 32		578368	188,00	
TH 40		578624	249,00		
IPLEX PIPELINES AUSTRALIA Iplex Pro-fit	K16/P18		578592	196,00	
IPLEX PIPELINES AUSTRALIA Iplex K1 (Gas)	K16/P18		578592	196,00	
	K20		578594	196,00	
	K25		578596	196,00	
	K32		578598	196,00	
	K1/40		578600	196,00	

System	Pressing tongs Mini/pressing rings	Drive with adapter tongs	Art.-No.	€
IPLEX PIPELINES AUSTRALIA Iplex K2	K16/P18		578592	196,00
	K20		578594	196,00
ISOTUBI NUMEPRESS	K25		578596	196,00
	M 15		578312	156,00
	M 18		578314	156,00
	M 22		578316	156,00
	M 28		578318	156,00
	M 35		578390	189,00
	M 15 S (PR-2B)	Mini Z8	574738 R	132,00
	M 18 S (PR-2B)	Mini Z8	574740 R	132,00
	M 22 S (PR-2B)	Mini Z8	574742 R	132,00
	M 28 S (PR-2B)	Mini Z8	574744 R	132,00
M 35 S (PR-2B)	Mini Z8	574746 R	146,00	
IVAR ALPEX-GAS	B 20		578472	205,00
	B 26		578474	226,00
	B 32		578476	226,00
IVAR Ivar-Press	B 14		578466	205,00
	B 16		578468	205,00
	B 18		578470	205,00
	B 20		578472	205,00
	B 26		578474	226,00
	B 32		578476	226,00
	Fz 40		578478	262,00
IVAR MULTI PRESS GAS ITALIA	TH 16		578352 R	188,00
	TH 20		578358 R	188,00
	TH 26		578362 R	188,00
	H 16		578400	170,00
	H 20		578406	170,00
	H 26		578412	170,00
	U 16		578374	176,00
	U 20		578378	176,00
	TH 16		578352 R	188,00
	TH 18		578356	188,00
IVAR Multi Press MP	TH 20		578358 R	188,00
	TH 25		578360	188,00
	TH 26		578362 R	188,00
	TH 32		578364	188,00
	TH 40		578624	249,00
	TH 16 S (PR-2B)**	Mini Z8	574782 R	132,00
	TH 18 S (PR-2B)**	Mini Z8	574786 R	132,00
	TH 20 S (PR-2B)**	Mini Z8	574788 R	132,00
	TH 25 S (PR-2B)**	Mini Z8	574792 R	132,00
	TH 26 S (PR-2B)**	Mini Z8	574794 R	132,00
TH 32 S (PR-2B)	Mini Z8	574798 R	146,00	
IVAR Multi Press Leak (MPL)	F 16		578456	179,00
	F 18		578458	179,00
	F 20		578460	179,00
	F 26		578462	194,00
	F 32		578464	194,00
	Fz 40		578478	262,00
	F 16 S (PR-2B)**	Mini Z8	574728 R	132,00
	F 20 S (PR-2B)**	Mini Z8	574730 R	132,00
	F 26 S (PR-2B)**	Mini Z8	574732 R	132,00
	F 32 S (PR-2B)	Mini Z8	574734 R	146,00
	H 16		578400	170,00
	H 18		578404	170,00
	H 20		578406	170,00
	H 25		578408	170,00
	H 26		578410	170,00
	H 32		578412	170,00
	U 16		578374	176,00
	U 18		578376	176,00
	U 20		578378	176,00
	U 25		578380	176,00
U 26 ^o		578392	206,00	
U 32		578382	206,00	
U 40		578386	251,00	
B 16		578468	205,00	
B 18		578470	205,00	
B 20		578472	205,00	
B 26		578474	226,00	
B 32		578476	226,00	
IVAR Multi Press Leak (MPL)	TH 16		578352 R	188,00
	TH 20		578358 R	188,00
	TH 26		578362 R	188,00
	TH 32		578364	188,00
	TH 16 S (PR-2B)**	Mini Z8	574782 R	132,00
	TH 20 S (PR-2B)**	Mini Z8	574788 R	132,00
	TH 26 S (PR-2B)**	Mini Z8	574794 R	132,00
	TH 32 S (PR-2B)	Mini Z8	574798 R	146,00
	F 16		578456	179,00
	F 20		578460	179,00
F 26		578462	194,00	
F 32		578464	194,00	
F 16 S (PR-2B)**	Mini Z8	574728 R	132,00	
F 20 S (PR-2B)**	Mini Z8	574730 R	132,00	
F 26 S (PR-2B)**	Mini Z8	574732 R	132,00	
F 32 S (PR-2B)	Mini Z8	574734 R	146,00	
H 16		578400	170,00	
H 20		578406	170,00	
H 26		578412	170,00	
H 32		578418	170,00	
U 16		578374	176,00	
U 20		578378	176,00	
U 26 ^o		578392	206,00	
U 32		578382	206,00	
B 16		578468	205,00	
B 20		578472	205,00	
B 26		578474	226,00	
B 32		578476	226,00	

ROLLER'S pressing tongs Mini / pressing rings

Accessory for ROLLER'S 22kN radial presses

System	Pressing tongs Mini/pressing rings	Drive with adapter tongs	Art.-No.	€	
K					
KAN KAN-therm Press LBP	TH 14		578348	188,00	
	TH 16		578352 R	188,00	
	TH 20		578358 R	188,00	
	TH 25		578360	188,00	
	TH 26		578362 R	188,00	
	TH 32		578364	188,00	
	TH 40		578624	249,00	
	TH 14 S (PR-2B)**	Mini Z8	574778 R	132,00	
	TH 16 S (PR-2B)**	Mini Z8	574782 R	132,00	
	TH 20 S (PR-2B)**	Mini Z8	574788 R	132,00	
	TH 25 S (PR-2B)**	Mini Z8	574792 R	132,00	
	TH 26 S (PR-2B)**	Mini Z8	574794 R	132,00	
	TH 32 S (PR-2B)	Mini Z8	574798 R	146,00	
	U 14		578372	185,00	
	U 16		578374	176,00	
	U 20		578378	176,00	
	U 25		578380	176,00	
	U 26 ⁷⁾		578392	206,00	
	U 32		578382	206,00	
	U 40		578386	251,00	
	KAN KAN-therm Inox	M 15		578312	156,00
		M 18 ¹⁾		578314	156,00
		M 22		578316	156,00
		M 28 ¹⁾		578318	156,00
		M 35		578390	189,00
		M 15 S (PR-2B)	Mini Z8	574738 R	132,00
M 18 S (PR-2B)		Mini Z8	574740 R	132,00	
M 22 S (PR-2B)		Mini Z8	574742 R	132,00	
M 28 S (PR-2B)		Mini Z8	574744 R	132,00	
M 35 S (PR-2B)		Mini Z8	574746 R	146,00	
KAN KAN-therm Steel	M 12		578310	156,00	
	M 15		578312	156,00	
	M 18 ¹⁾		578314	156,00	
	M 22		578316	156,00	
	M 28 ¹⁾		578318	156,00	
	M 35		578390	189,00	
	M 12 S (PR-2B)	Mini Z8	574736 R	132,00	
	M 15 S (PR-2B)	Mini Z8	574738 R	132,00	
	M 18 S (PR-2B)	Mini Z8	574740 R	132,00	
	M 22 S (PR-2B)	Mini Z8	574742 R	132,00	
	M 28 S (PR-2B)	Mini Z8	574744 R	132,00	
	M 35 S (PR-2B)	Mini Z8	574746 R	146,00	
	KAN KAN-therm UltraPRESS	TH 14		578348	188,00
TH 16			578352 R	188,00	
TH 20			578358 R	188,00	
TH 25			578360	188,00	
TH 26			578362 R	188,00	
TH 32			578364	188,00	
TH 40			578624	249,00	
TH 14 S (PR-2B)**		Mini Z8	574778 R	132,00	
TH 16 S (PR-2B)**		Mini Z8	574782 R	132,00	
TH 20 S (PR-2B)**		Mini Z8	574788 R	132,00	
TH 25 S (PR-2B)**		Mini Z8	574792 R	132,00	
TH 26 S (PR-2B)**		Mini Z8	574794 R	132,00	
TH 32 S (PR-2B)		Mini Z8	574798 R	146,00	
U 14			578372	185,00	
U 16			578374	176,00	
U 20			578378	176,00	
U 25			578380	176,00	
U 26 ⁷⁾			578392	206,00	
U 32			578382	206,00	
U 40			578386	251,00	
KE KELIT COPPERFIX Kupfer		M 15		578312	156,00
		M 18		578314	156,00
		M 22		578316	156,00
		M 28		578318	156,00
		M 35		578390	189,00
		M 15 S (PR-2B)	Mini Z8	574738 R	132,00
	M 18 S (PR-2B)	Mini Z8	574740 R	132,00	
	M 22 S (PR-2B)	Mini Z8	574742 R	132,00	
KE KELIT KELIT KELOX	U 16		578374	176,00	
	U 18		578376	176,00	
	U 20		578378	176,00	
	U 25		578380	176,00	
	U 32		578382	206,00	
	U 40		578386	251,00	
	KE KELIT KELOX-PPSU-W	U 16		578374	176,00
		U 18		578376	176,00
U 20			578378	176,00	
U 25			578380	176,00	
U 32			578382	206,00	
U 40			578386	251,00	
KE KELIT KELOX-ULTRAX	U 16		578374	176,00	
	U 18		578376	176,00	
	U 20		578378	176,00	
	U 25		578380	176,00	
	U 32		578382	206,00	
	U 40		578386	251,00	
KE KELIT KELOX-ULTRAX-W	U 16		578374	176,00	
	U 18		578376	176,00	
	U 20		578378	176,00	
	U 25		578380	176,00	
	U 32		578382	206,00	
	U 40		578386	251,00	
KE KELIT KELOX-WINDOW-U	U 16		578374	176,00	
	U 18		578376	176,00	
	U 20		578378	176,00	
	U 25		578380	176,00	
	U 32		578382	206,00	
	U 40		578386	251,00	
KE KELIT KELOX-WINDOW-W	U 16		578374	176,00	
	U 18		578376	176,00	
	U 20		578378	176,00	
	U 25		578380	176,00	
	U 32		578382	206,00	
	U 40		578386	251,00	

System	Pressing tongs Mini/pressing rings	Drive with adapter tongs	Art.-No.	€
KE KELIT steelFIX C-Stahl	M 15		578312	156,00
	M 18		578314	156,00
	M 22		578316	156,00
	M 28		578318	156,00
	M 35		578390	189,00
	M 15 S (PR-2B)	Mini Z8	574738 R	132,00
	M 18 S (PR-2B)	Mini Z8	574740 R	132,00
	M 22 S (PR-2B)	Mini Z8	574742 R	132,00
	M 28 S (PR-2B)	Mini Z8	574744 R	132,00
	M 35 S (PR-2B)	Mini Z8	574746 R	146,00
KE KELIT steelFIX Edelstahl	M 15		578312	156,00
	M 18		578314	156,00
	M 22		578316	156,00
	M 28		578318	156,00
	M 35		578390	189,00
	M 15 S (PR-2B)	Mini Z8	574738 R	132,00
	M 18 S (PR-2B)	Mini Z8	574740 R	132,00
	M 22 S (PR-2B)	Mini Z8	574742 R	132,00
	M 28 S (PR-2B)	Mini Z8	574744 R	132,00
	M 35 S (PR-2B)	Mini Z8	574746 R	146,00
KEMBLA KemPress (AUS)	VAU 15 (OD 12,7mm)		578630	161,00
	VAU 20 (OD 19,1mm)		578632	161,00
	VAU 25 (OD 25,4mm)		578634	161,00
	VAU 32 (OD 31,8mm)		578636	170,00
KEMBLA KemPress Gas (AUS)	VAU 15 (OD 12,7mm)		578630	161,00
	VAU 20 (OD 19,1mm)		578632	161,00
	VAU 25 (OD 25,4mm)		578634	161,00
	VAU 32 (OD 31,8mm)		578636	170,00
KISAN Kisan KD	KI 16		578524	199,00
	KI 20		578526	199,00
	KI 25		578528	199,00
	TH 16		578352 R	188,00
	TH 20		578358 R	188,00
	TH 25		578360	188,00
	TH 16 S (PR-2B)**	Mini Z8	574782 R	132,00
	TH 20 S (PR-2B)**	Mini Z8	574788 R	132,00
	TH 25 S (PR-2B)**	Mini Z8	574792 R	132,00
	KISAN Kisan WL	KI 16		578524
KI 20			578526	199,00
KI 25			578528	199,00
KI 32			578530	268,00
TH 16			578352 R	188,00
TH 20			578358 R	188,00
TH 25			578360	188,00
TH 32			578364	188,00
KISAN Kisan WM	KI 16		578524	199,00
	KI 20		578526	199,00
	KI 25		578528	199,00
	KI 32		578530	268,00
	TH 16		578352 R	188,00
	TH 20		578358 R	188,00
	TH 25		578360	188,00
	TH 32		578364	188,00
KISAN Kisan WR	U 20		578378	176,00
	U 25		578380	176,00
	U 32		578382	206,00
	U 40		578386	251,00
	TH 20		578358 R	188,00
	TH 25		578360	188,00
	TH 32		578364	188,00
	TH 40		578624	249,00
KISAN Kistal C	TH 20 S (PR-2B)**	Mini Z8	574788 R	132,00
	TH 25 S (PR-2B)**	Mini Z8	574792 R	132,00
	TH 32 S (PR-2B)	Mini Z8	574798 R	146,00
	M 15		578312	156,00
KISAN Kistal Inox	M 18		578314	156,00
	M 22		578316	156,00
	M 28		578318	156,00
	M 35		578390	189,00
	M 15 S (PR-2B)	Mini Z8	574738 R	132,00
	M 18 S (PR-2B)	Mini Z8	574740 R	132,00
	M 22 S (PR-2B)	Mini Z8	574742 R	132,00
	M 28 S (PR-2B)	Mini Z8	574744 R	132,00
	M 35 S (PR-2B)	Mini Z8	574746 R	146,00
	LEGEND-PRESS press fitting system	VUS 1/8" (OD 15,9mm)		578566
VUS 3/8" (OD 22,2mm)			578568	189,00
VUS 1" (OD 28,6mm)			578570	189,00
VUS 1 1/4" (OD 34,9mm)			578606	189,00
LK Systems LK >B<-Press		V 12		578324
	V 15		578328	156,00
	V 18		578332	156,00
	V 22		578334	156,00
	V 28		578336	156,00
	V 35		578604	189,00
	V 12 S (PR-2B)	Mini Z8	574748 R	132,00
	V 15 S (PR-2B)	Mini Z8	574752 R	132,00
	V 18 S (PR-2B)	Mini Z8	574756 R	132,00
	V 22 S (PR-2B)	Mini Z8	574758 R	132,00
	V 28 S (PR-2B)	Mini Z8	574760 R	132,00
	V 35 S (PR-2B)	Mini Z8	574762 R	146,00

L

System	Pressing tongs Mini/pressing rings	Drive with adapter tongs	Art.-No.	€
LK Systems	V 12		578324	156,00
LK >B<-Press	V 15		578328	156,00
Elförzinkat	V 18		578332	156,00
	V 22		578334	156,00
	V 28		578336	156,00
	V 35		578604	189,00
	V 12 S (PR-2B)	Mini Z8	574748 R	132,00
	V 15 S (PR-2B)	Mini Z8	574752 R	132,00
	V 18 S (PR-2B)	Mini Z8	574756 R	132,00
	V 22 S (PR-2B)	Mini Z8	574758 R	132,00
	V 28 S (PR-2B)	Mini Z8	574760 R	132,00
	V 35 S (PR-2B)	Mini Z8	574762 R	146,00
LK Systems	V 15		578328	156,00
LK >B<-Press	V 18		578332	156,00
Gas	V 22		578334	156,00
	V 28		578336	156,00
	V 35		578604	189,00
	V 15 S (PR-2B)	Mini Z8	574752 R	132,00
	V 18 S (PR-2B)	Mini Z8	574756 R	132,00
	V 22 S (PR-2B)	Mini Z8	574758 R	132,00
	V 28 S (PR-2B)	Mini Z8	574760 R	132,00
	V 35 S (PR-2B)	Mini Z8	574762 R	146,00
LK Systems	TH 16		578352 R	188,00
LK Universal	TH 20		578358 R	188,00
	TH 25		578360	188,00
	TH 32		578364	188,00
	TH 40		578624	249,00
M				
MAINCOR	U 16		578374	176,00
MAINPRESS	U 20		578378	176,00
	U 25		578380	176,00
	U 32		578382	206,00
	U 40		578386	251,00
MAINCOR	U 16		578374	176,00
MAINFLOR	U 20		578378	176,00
Mair Heiztechnik	H 11,5		578394	170,00
M-Press	TH 16		578352 R	188,00
	TH 20		578358 R	188,00
	TH 26		578362 R	188,00
	TH 32		578364	188,00
	TH 40		578624	249,00
	TH 16 S (PR-2B)**	Mini Z8	574782 R	132,00
	TH 20 S (PR-2B)**	Mini Z8	574788 R	132,00
	TH 26 S (PR-2B)**	Mini Z8	574794 R	132,00
	TH 32 S (PR-2B)	Mini Z8	574798 R	146,00
Ma.s.ter System	TH 14		578348	188,00
PRESSMASTER	TH 16		578352 R	188,00
	TH 18		578356	188,00
	TH 20		578358 R	188,00
	TH 25		578360	188,00
	TH 26		578362 R	188,00
	TH 32		578364	188,00
	TH 40		578624	249,00
	TH 14 S (PR-2B)**	Mini Z8	574778 R	132,00
	TH 16 S (PR-2B)**	Mini Z8	574782 R	132,00
	TH 18 S (PR-2B)**	Mini Z8	574786 R	132,00
	TH 20 S (PR-2B)**	Mini Z8	574788 R	132,00
	TH 25 S (PR-2B)**	Mini Z8	574792 R	132,00
	TH 26 S (PR-2B)**	Mini Z8	574794 R	132,00
	TH 32 S (PR-2B)	Mini Z8	574798 R	146,00
	H 14		578398	170,00
	H 16		578400	170,00
	H 18		578404	170,00
	H 20		578406	170,00
	H 26		578410	170,00
	H 32		578412	170,00
	U 14		578372	185,00
	U 16		578374	176,00
	U 18		578376	176,00
	U 20		578378	176,00
	U 25		578380	176,00
	U 32		578382	206,00
	U 40		578386	251,00

System	Pressing tongs Mini/pressing rings	Drive with adapter tongs	Art.-No.	€
Meier Tobler	H 16		578400	170,00
Metaplast - Stramax	H 20		578406	170,00
Serie MM	H 25		578408	170,00
	H 32		578412	170,00
	RFz 16		578492	196,00
	RFz 20		578494	196,00
	RFz 25		578496	196,00
	RFz 32		578498	196,00
	TH 16		578352 R	188,00
	TH 20		578358 R	188,00
	TH 25		578360	188,00
	TH 32		578364	188,00
	TH 40		578624	249,00
	TH 16 S (PR-2B)**	Mini Z8	574782 R	132,00
	TH 20 S (PR-2B)**	Mini Z8	574788 R	132,00
	TH 25 S (PR-2B)**	Mini Z8	574792 R	132,00
	TH 32 S (PR-2B)	Mini Z8	574798 R	146,00
	U 16		578374	176,00
	U 20		578378	176,00
	U 25		578380	176,00
	U 32		578382	206,00
	U 40		578386	251,00
METALGRUP	U 16		578374	176,00
Permatubo	U 18		578376	176,00
	U 20		578378	176,00
	U 25		578380	176,00
	U 32		578382	206,00
	U 40		578386	251,00
METALGRUP	RFz 16		578492	196,00
PexGrup	RFz 20		578494	196,00
	RFz 25		578496	196,00
	RFz 32		578498	196,00
METALGRUP	U 16		578374	176,00
MultiGrup	U 18		578376	176,00
	U 20		578378	176,00
	U 25		578380	176,00
	U 32		578382	206,00
Mueller Streamline	VUS ½" (OD 15,9 mm)		578566	189,00
PRS Copper Press	VUS ¾" (OD 22,2 mm)		578568	189,00
	VUS 1" (OD 28,6 mm)		578570	189,00
	VUS 1¼" (OD 34,9 mm)		578606	189,00
MULTITHERM	TH 16		578352 R	188,00
PRESSSYSTEM	TH 20		578358 R	188,00
	TH 26		578362 R	188,00
	TH 32		578364	188,00
	TH 40		578624	249,00
	TH 16 S (PR-2B)**	Mini Z8	574782 R	132,00
	TH 20 S (PR-2B)**	Mini Z8	574788 R	132,00
	TH 26 S (PR-2B)**	Mini Z8	574794 R	132,00
	TH 32 S (PR-2B)	Mini Z8	574798 R	146,00
Multicapas Industrial	RFz 16		578492	196,00
AIS PEX	RFz 20		578494	196,00
	RFz 25		578496	196,00
	RFz 32		578498	196,00
	U 16		578374	176,00
	U 20		578378	176,00
	U 25		578380	176,00
	U 32		578382	206,00
Multicapas Industrial	H 16		578400	170,00
AIS XPRT	H 20		578406	170,00
	H 25		578408	170,00
	H 26		578410	170,00
	H 32		578412	170,00
	RFz 16		578492	196,00
	RFz 20		578494	196,00
	RFz 25		578496	196,00
	RFz 32		578498	196,00
	TH 16		578352 R	188,00
	TH 20		578358 R	188,00
	TH 25		578360	188,00
	TH 26		578362 R	188,00
	TH 32		578364	188,00
	TH 40		578624	249,00
	TH 16 S (PR-2B)**	Mini Z8	574782 R	132,00
	TH 20 S (PR-2B)**	Mini Z8	574788 R	132,00
	TH 25 S (PR-2B)**	Mini Z8	574792 R	132,00
	TH 26 S (PR-2B)**	Mini Z8	574794 R	132,00
	TH 32 S (PR-2B)	Mini Z8	574798 R	146,00
	U 16		578374	176,00
	U 20		578378	176,00
	U 25		578380	176,00
	U 32		578382	206,00
	U 40		578386	251,00

Pressfitting systems for gas installations may only be pressed with the pressing tongs Mini which are highlighted in yellow in the table.

Observe the national regulations. Read and observe the system provider's/manufacturer's instructions for use and assembly instructions.

** Can also be driven by the ROLLER'S Easy-Press manual radial press using the Z8 adapter tongs, see page 90. Observe the national regulations.

¹⁾ Only pressing tongs from designation "108" (1st quarter of 2008), "208" (2nd quarter of 2008) etc. can be used. The designation is stamped on every pressing jaw.

²⁾ For accommodating suitable pressing inserts.

³⁾ Only pressing tongs from designation "117" (1st quarter of 201), "217" (2nd quarter of 2017) etc. can be used. The designation is stamped on every pressing jaw.

⁴⁾ For pipes with the EN technical standard. Observe the system provider's/manufacturer's instructions for use.

⁵⁾ Only use Mini pressing tongs identified by "VMP ½" G" on the pressing jaws for gas installations.

⁷⁾ Previous designation: Mini C 26 pressing tongs

⁹⁾ For pipes with the ASTM technical standard. Observe the system provider's/manufacturer's instructions for use.

Suitability of the ROLLER'S pressing tools for pressfitting systems: Status 27.10.2023. The current status can be found on the Internet:

www.albert-roller.de → Downloads → Product Catalogues, Brochures → ROLLER Catalogue.

See page 79 for adapter tongs. Pressing tongs/pressing rings for other press fitting systems on request.

System	Pressing tongs Mini/pressing rings	Drive with adapter tongs	Art.-No.	€	
Multicap Industrial multitubo systems MC	U 16		578374	176,00	
	U 18		578376	176,00	
	U 20		578378	176,00	
	U 25		578380	176,00	
	U 32		578382	206,00	
	U 40		578386	251,00	
Multicap Industrial multitubo systems MM	H 16		578400	170,00	
	H 20		578406	170,00	
	H 25		578408	170,00	
	H 26		578410	170,00	
	H 32		578412	170,00	
	RFz 16		578492	196,00	
	RFz 20		578494	196,00	
	RFz 25		578496	196,00	
	RFz 32		578498	196,00	
	TH 16		578352 R	188,00	
	TH 20		578358 R	188,00	
	TH 25		578360	188,00	
	TH 26		578362 R	188,00	
	TH 32		578364	188,00	
	TH 40		578624	249,00	
	TH 16 S (PR-2B)**	Mini Z8	574782 R	132,00	
	TH 20 S (PR-2B)**	Mini Z8	574788 R	132,00	
	TH 25 S (PR-2B)**	Mini Z8	574792 R	132,00	
	TH 26 S (PR-2B)**	Mini Z8	574794 R	132,00	
	TH 32 S (PR-2B)	Mini Z8	574798 R	146,00	
	U 16		578374	176,00	
	U 20		578378	176,00	
	U 25		578380	176,00	
	U 32		578382	206,00	
	U 40		578386	251,00	
	multipipe Deutschland	TH 16		578352 R	188,00
		TH 20		578358 R	188,00
multipipe mp	TH 26		578362 R	188,00	
	TH 32		578364	188,00	
	TH 40		578624	249,00	
	TH 16 S (PR-2B)**	Mini Z8	574782 R	132,00	
	TH 20 S (PR-2B)**	Mini Z8	574788 R	132,00	
	TH 26 S (PR-2B)**	Mini Z8	574794 R	132,00	
	TH 32 S (PR-2B)	Mini Z8	574798 R	146,00	
	N				
	NEUTHERM MEKUPRESS-HT	H 16		578400	170,00
		H 20		578406	170,00
H 26			578410	170,00	
H 32			578412	170,00	
NIBCO Press System Copper	VUS ½" (OD 15,9 mm)		578566	189,00	
	VUS ¾" (OD 22,2 mm)		578568	189,00	
	VUS 1" (OD 28,6 mm)		578570	189,00	
	VUS 1½" (OD 34,9 mm)		578606	189,00	
NICOLL FLUXO	TH 16		578352 R	188,00	
	TH 20		578358 R	188,00	
	TH 25		578360	188,00	
	TH 26		578362 R	188,00	
	TH 32		578364	188,00	
	TH 40		578624	249,00	
	TH 16 S (PR-2B)**	Mini Z8	574782 R	132,00	
	TH 20 S (PR-2B)**	Mini Z8	574788 R	132,00	
	TH 26 S (PR-2B)**	Mini Z8	574794 R	132,00	
	TH 32 S (PR-2B)	Mini Z8	574798 R	146,00	
	NUPI Industrie Italiane Multinupi	B 16		578468	205,00
		B 18		578470	205,00
		B 20		578472	205,00
B 26			578474	226,00	
B 32			578476	226,00	
F 16			578456	179,00	
F 18			578458	179,00	
F 20			578460	179,00	
F 26			578462	194,00	
F 32			578464	194,00	
F 16 S (PR-2B)**		Mini Z8	574728 R	132,00	
F 20 S (PR-2B)**		Mini Z8	574730 R	132,00	
F 26 S (PR-2B)**		Mini Z8	574732 R	132,00	
F 32 S (PR-2B)		Mini Z8	574734 R	146,00	
H 16			578400	170,00	
H 18			578404	170,00	
H 20			578406	170,00	
H 25			578408	170,00	
H 26			578410	170,00	
H 32			578412	170,00	
TH 16			578352 R	188,00	
TH 18			578356	188,00	
TH 20			578358 R	188,00	
TH 25			578360	188,00	
TH 26			578362 R	188,00	
TH 32			578364	188,00	
TH 16 S (PR-2B)**		Mini Z8	574782 R	132,00	
TH 18 S (PR-2B)**	Mini Z8	574786 R	132,00		
TH 20 S (PR-2B)**	Mini Z8	574788 R	132,00		
TH 25 S (PR-2B)**	Mini Z8	574792 R	132,00		
TH 26 S (PR-2B)**	Mini Z8	574794 R	132,00		
TH 32 S (PR-2B)	Mini Z8	574798 R	146,00		
U 14		578372	185,00		
U 16		578374	176,00		
U 18		578376	176,00		
U 20		578378	176,00		
U 25		578380	176,00		
U 26 ^{o)}		578392	206,00		
U 32		578382	206,00		
U 40		578386	251,00		
Nussbaum	VMP ¾" (OD 17,2 mm)		578660	217,00	
Optifit-Press	VMP ½" G (OD 21,3 mm)		578666 R	217,00	
	VMPz ¾" (OD 26,9 mm)		578664	217,00	

System	Pressing tongs Mini/pressing rings	Drive with adapter tongs	Art.-No.	€	
Nussbaum Optiflow-Flowpress	VRX 16		578640	198,00	
	VRX 20		578642	198,00	
	VRX 25		578644	217,00	
	VRX 32		578646	217,00	
Nussbaum Optipress	V 15		578328	156,00	
	V 18		578332	156,00	
Aquaplus	V 22		578334	156,00	
	V 28		578336	156,00	
	V 35		578604	189,00	
	V 15 S (PR-2B)	Mini Z8	574752 R	132,00	
	V 18 S (PR-2B)	Mini Z8	574756 R	132,00	
	V 22 S (PR-2B)	Mini Z8	574758 R	132,00	
	V 28 S (PR-2B)	Mini Z8	574760 R	132,00	
	V 35 S (PR-2B)	Mini Z8	574762 R	146,00	
	Nussbaum Optipress Gaz	V 15		578328	156,00
	V 18		578332	156,00	
V 22		578334	156,00		
V 28		578336	156,00		
V 35		578604	189,00		
V 15 S (PR-2B)	Mini Z8	574752 R	132,00		
V 18 S (PR-2B)	Mini Z8	574756 R	132,00		
V 22 S (PR-2B)	Mini Z8	574758 R	132,00		
V 28 S (PR-2B)	Mini Z8	574760 R	132,00		
V 35 S (PR-2B)	Mini Z8	574762 R	146,00		
Nussbaum Optipress-Therm	V 15		578328	156,00	
V 18		578332	156,00		
V 22		578334	156,00		
V 28		578336	156,00		
V 35		578604	189,00		
V 15 S (PR-2B)	Mini Z8	574752 R	132,00		
V 18 S (PR-2B)	Mini Z8	574756 R	132,00		
V 22 S (PR-2B)	Mini Z8	574758 R	132,00		
V 28 S (PR-2B)	Mini Z8	574760 R	132,00		
V 35 S (PR-2B)	Mini Z8	574762 R	146,00		

O

Oventrop Cofit P	H 16 A		578420	217,00
	H 20 A		578426	217,00
	H 26 A		578430	217,00
	H 32 A		578432	217,00
Oventrop Cofit PD	H 16 A		578420	217,00
	H 20 A		578426	217,00
	H 26 A		578430	217,00
Oventrop Cofit PDK	H 16 A		578420	217,00
	H 20 A		578426	217,00
Oventrop Cofit PD-HT	H 16 A		578420	217,00
	H 20 A		578426	217,00
Oventrop Cofit PDK-HT	H 16 A		578420	217,00
	H 20 A		578426	217,00

P

PBTub SERTIPRESS	RFz 12		578490	196,00
	RFz 16		578492	196,00
	RFz 20		578494	196,00
	RFz 25		578496	196,00
PBTub SERTI-STEEL ¹⁾	M 15		578312	156,00
	M 18		578314	156,00
	M 22		578316	156,00
	M 28		578318	156,00
	M 15 S (PR-2B)	Mini Z8	574738 R	132,00
	M 18 S (PR-2B)	Mini Z8	574740 R	132,00
	M 22 S (PR-2B)	Mini Z8	574742 R	132,00
	M 28 S (PR-2B)	Mini Z8	574744 R	132,00
Pegler Yorkshire > Aalberts integrated piping systems				
PERFEXIM PERFECT SYSTEM	U 16		578374	176,00
	U 20		578378	176,00
	U 25		578380	176,00
	U 32		578382	206,00
PERFEXIM PERFECT SYSTEM PLUS	U 16		578374	176,00
	U 20		578378	176,00
	U 25		578380	176,00
	U 32		578382	206,00
	TH 16		578352 R	188,00
	TH 20		578358 R	188,00
	TH 25		578360	188,00
	TH 32		578364	188,00
	TH 16 S (PR-2B)**	Mini Z8	574782 R	132,00
	TH 20 S (PR-2B)**	Mini Z8	574788 R	132,00
TH 25 S (PR-2B)**	Mini Z8	574792 R	132,00	
TH 32 S (PR-2B)	Mini Z8	574798 R	146,00	
PERFILTUBO PERFILALUPEX	U 16		578374	176,00
	U 18		578376	176,00
	U 20		578378	176,00
	U 25		578380	176,00
PERFILTUBO PERFILPRESS	U 32		578382	206,00
	U 40		578386	251,00
	M 15		578312	156,00
	M 18		578314	156,00
	M 22		578316	156,00
	M 28		578318	156,00
	M 35		578390	189,00
	M 15 S (PR-2B)	Mini Z8	574738 R	132,00
	M 18 S (PR-2B)	Mini Z8	574740 R	132,00
	M 22 S (PR-2B)	Mini Z8	574742 R	132,00
	M 28 S (PR-2B)	Mini Z8	574744 R	132,00
	M 35 S (PR-2B)	Mini Z8	574746 R	146,00
	PEXTUBE PexTube	RFz 16		578492
RFz 20			578494	196,00
RFz 25			578496	196,00
RFz 32			578498	196,00

System	Pressing tongs Mini/pressing rings	Drive with adapter tongs	Art.-No.	€	System	Pressing tongs Mini/pressing rings	Drive with adapter tongs	Art.-No.	€
Pipelife	M 15		578312	156,00	PLÁSTICOS FERRO	U 16		578374	176,00
C-PRESS	M 18		578314	156,00	FERROPLAST	U 20		578378	176,00
	M 22		578316	156,00	GPF MULT Pressfitting	U 25		578380	176,00
	M 28		578318	156,00	MULTICAPA	U 32		578382	206,00
	M 35		578390	189,00	PLÁSTICOS FERRO	U 16		578374	176,00
	M 15 S (PR-2B)	Mini Z8	574738 R	132,00	FERROPLAST	U 20		578378	176,00
	M 18 S (PR-2B)	Mini Z8	574740 R	132,00	GPF PPSU	U 25		578380	176,00
	M 22 S (PR-2B)	Mini Z8	574742 R	132,00	Pressfitting PEX	U 32		578382	206,00
	M 28 S (PR-2B)	Mini Z8	574744 R	132,00	y MULTICAPA				
	M 35 S (PR-2B)	Mini Z8	574746 R	146,00	PLÁSTICOS FERRO	RFz 16		578492	196,00
Pipelife	TH 16		578352 R	188,00	FERROPLAST	RFz 20		578494	196,00
RADOPRESS	TH 18		578356	188,00	GPF PRESS	RFz 25		578496	196,00
	TH 20		578358 R	188,00	Pressfitting PEX	RFz 32		578498	196,00
	TH 26		578362 R	188,00	PLUMBING PLUS	K16/P18		578592	196,00
	TH 32		578364	188,00	EZIPEX Crimp	K/20		578594	196,00
	TH 40		578624	249,00	(AUS)	K/25		578596	196,00
	TH 16 S (PR-2B)**	Mini Z8	574782 R	132,00		K/32		578598	196,00
	TH 18 S (PR-2B)**	Mini Z8	574786 R	132,00		K1/40		578600	196,00
	TH 20 S (PR-2B)**	Mini Z8	574788 R	132,00	PLUMBING PLUS	K16/P18		578592	196,00
	TH 26 S (PR-2B)**	Mini Z8	574794 R	132,00	EZIPEX Gas	K/20		578594	196,00
	TH 32 S (PR-2B)	Mini Z8	574798 R	146,00	(AUS)	K/25		578596	196,00
Pipetec Connect	TH 16		578352 R	188,00		K/32		578598	196,00
	TH 20		578358 R	188,00		K1/40		578600	196,00
	TH 26		578362 R	188,00	PLUMBING PLUS	Yz 16 UNI		578740	196,00
	TH 32		578364	188,00	UNIPEX	Yz 20 UNI		578742	196,00
	TH 40		578624	249,00	Water & Gas (AUS)	Yz 25 UNI		578744	196,00
	TH 16 S (PR-2B)**	Mini Z8	574782 R	132,00		Yz 32 UNI		578746	196,00
	TH 20 S (PR-2B)**	Mini Z8	574788 R	132,00	PLUMBING PLUS	VAU 15 (OD 12,7 mm)		578630	161,00
	TH 26 S (PR-2B)**	Mini Z8	574794 R	132,00	EZIPEX Solar	VAU 20 (OD 19,1 mm)		578632	161,00
	TH 32 S (PR-2B)	Mini Z8	574798 R	146,00	(AUS)	VAU 25 (OD 25,4 mm)		578634	161,00
	U 16		578374	176,00		VAU 32 (OD 31,8 mm)		578636	170,00
	U 20		578378	176,00	PLUMBING PLUS	VAU 15 S (PR-2B) (OD 12,7 mm)	Mini Z8	574804 R	132,00
	U 32		578382	206,00	EZIPEX Gas	VAU 20 S (PR-2B)** (OD 19,1 mm)	Mini Z8	574806 R	132,00
PLASTICA ALFA	TH 16		578352 R	188,00		VAU 25 S (PR-2B)** (OD 25,4 mm)	Mini Z8	574808 R	146,00
Multiplex	TH 20		578358 R	188,00	PLUMBING PLUS	VAU 15 (OD 12,7 mm)		578630	161,00
	TH 26		578362 R	188,00	EZIPEX Solar	VAU 20 (OD 19,1 mm)		578632	161,00
	TH 32		578364	188,00	(AUS)	VAU 25 (OD 25,4 mm)		578634	161,00
	TH 16 S (PR-2B)**	Mini Z8	574782 R	132,00		VAU 32 (OD 31,8 mm)		578636	170,00
	TH 20 S (PR-2B)**	Mini Z8	574788 R	132,00	PLUMBING PLUS	VAU 15 S (PR-2B) (OD 12,7 mm)	Mini Z8	574804 R	132,00
	TH 26 S (PR-2B)**	Mini Z8	574794 R	132,00	EZIPEX Water	VAU 20 S (PR-2B)** (OD 19,1 mm)	Mini Z8	574806 R	132,00
	TH 32 S (PR-2B)	Mini Z8	574798 R	146,00	(AUS)	VAU 25 S (PR-2B)** (OD 25,4 mm)	Mini Z8	574808 R	146,00
PLASTICA ALFA	TH 16		578352 R	188,00	PLUMBING PLUS	VAU 15 (OD 12,7 mm)		578630	161,00
Multiplex Air	TH 20		578358 R	188,00	EZIPEX Water	VAU 20 (OD 19,1 mm)		578632	161,00
	TH 26		578362 R	188,00	(AUS)	VAU 25 (OD 25,4 mm)		578634	161,00
	TH 32		578364	188,00		VAU 32 (OD 31,8 mm)		578636	170,00
	TH 16 S (PR-2B)**	Mini Z8	574782 R	132,00	PLYPOLY	VAU 15 S (PR-2B) (OD 12,7 mm)	Mini Z8	574804 R	132,00
	TH 20 S (PR-2B)**	Mini Z8	574788 R	132,00	POLYSURE	VAU 20 S (PR-2B)** (OD 19,1 mm)	Mini Z8	574806 R	132,00
	TH 26 S (PR-2B)**	Mini Z8	574794 R	132,00		VAU 25 S (PR-2B)** (OD 25,4 mm)	Mini Z8	574808 R	146,00
	TH 32 S (PR-2B)	Mini Z8	574798 R	146,00					
PLASTICA ALFA	TH 16		578352 R	188,00	POLYPIPE	TH 10		578342	188,00
Multiplexalfa Gas	TH 20		578358 R	188,00		TH 15		578350	188,00
	TH 26		578362 R	188,00		TH 22		578588	188,00
	TH 16 S (PR-2B)**	Mini Z8	574782 R	132,00		TH 28		578590	188,00
	TH 20 S (PR-2B)**	Mini Z8	574788 R	132,00	POLYSAN	M 15		578312	156,00
	TH 26 S (PR-2B)**	Mini Z8	574794 R	132,00	Handelsges.	M 18		578314	156,00
	TH 32 S (PR-2B)	Mini Z8	574798 R	146,00	m.b.H. & Co KG	M 22		578316	156,00
PLASTICA ALFA	TH 16		578352 R	188,00	(Krems/Öster-	M 28		578318	156,00
Multiplexalfa Gas	TH 20		578358 R	188,00	reich)	M 35		578390	189,00
protek	TH 26		578362 R	188,00	POLYSAN-	M 15 S (PR-2B)	Mini Z8	574738 R	132,00
	TH 16 S (PR-2B)**	Mini Z8	574782 R	132,00	C Stahl-Press-	M 18 S (PR-2B)	Mini Z8	574740 R	132,00
	TH 20 S (PR-2B)**	Mini Z8	574788 R	132,00	System M	M 22 S (PR-2B)	Mini Z8	574742 R	132,00
	TH 26 S (PR-2B)**	Mini Z8	574794 R	132,00		M 28 S (PR-2B)	Mini Z8	574744 R	132,00
	TH 32 S (PR-2B)	Mini Z8	574798 R	146,00		M 35 S (PR-2B)	Mini Z8	574746 R	146,00
PLASTICA ALFA	TH 16		578352 R	188,00	POLYSAN	M 15		578312	156,00
Multiplex Plus	TH 20		578358 R	188,00	Handelsges.	M 18		578314	156,00
	TH 26		578362 R	188,00	m.b.H. & Co KG	M 22		578316	156,00
	TH 32		578364	188,00	(Krems/Öster-	M 28		578318	156,00
	TH 16 S (PR-2B)**	Mini Z8	574782 R	132,00	reich)	M 35		578390	189,00
	TH 20 S (PR-2B)**	Mini Z8	574788 R	132,00	POLYSAN-	M 15 S (PR-2B)	Mini Z8	574738 R	132,00
	TH 26 S (PR-2B)**	Mini Z8	574794 R	132,00	Edelstahl	M 18 S (PR-2B)	Mini Z8	574740 R	132,00
	TH 32 S (PR-2B)	Mini Z8	574798 R	146,00	Press-System	M 22 S (PR-2B)	Mini Z8	574742 R	132,00
PLASTICA ALFA	TH 16		578352 R	188,00	1.4520	M 28 S (PR-2B)	Mini Z8	574744 R	132,00
Multiplex Thermo	TH 20		578358 R	188,00		M 35 S (PR-2B)	Mini Z8	574746 R	146,00
	TH 26		578362 R	188,00	POLYSAN	M 15		578312	156,00
	TH 32		578364	188,00	Handelsges.	M 18		578314	156,00
	TH 16 S (PR-2B)**	Mini Z8	574782 R	132,00	m.b.H. & Co KG	M 22		578316	156,00
	TH 20 S (PR-2B)**	Mini Z8	574788 R	132,00	(Krems/Öster-	M 28		578318	156,00
	TH 26 S (PR-2B)**	Mini Z8	574794 R	132,00	reich)	M 35		578390	189,00
	TH 32 S (PR-2B)	Mini Z8	574798 R	146,00	POLYSAN-	M 15 S (PR-2B)	Mini Z8	574738 R	132,00
PLASTICA ALFA	TH 16		578352 R	188,00	Edelstahl	M 18 S (PR-2B)	Mini Z8	574740 R	132,00
Multiplex Thermo Plus	TH 20		578358 R	188,00	Press-System	M 22 S (PR-2B)	Mini Z8	574742 R	132,00
	TH 26		578362 R	188,00	1.4520	M 28 S (PR-2B)	Mini Z8	574744 R	132,00
	TH 32		578364	188,00		M 35 S (PR-2B)	Mini Z8	574746 R	146,00
	TH 16 S (PR-2B)**	Mini Z8	574782 R	132,00	POLYSAN	M 15		578312	156,00
	TH 20 S (PR-2B)**	Mini Z8	574788 R	132,00	Handelsges.	M 18		578314	156,00
	TH 26 S (PR-2B)**	Mini Z8	574794 R	132,00	m.b.H. & Co KG	M 22		578316	156,00
	TH 32 S (PR-2B)	Mini Z8	574798 R	146,00	(Krems/Öster-	M 28		578318	156,00
PLASTICA ALFA	TH 16		578352 R	188,00	reich)	M 35		578390	189,00
Multiplex Plus	TH 20		578358 R	188,00	POLYSAN-	M 15 S (PR-2B)	Mini Z8	574738 R	132,00
	TH 26		578362 R	188,00	Edelstahl	M 18 S (PR-2B)	Mini Z8	574740 R	132,00
	TH 32		578364	188,00	Press-System Gas	M 22 S (PR-2B)	Mini Z8	574742 R	132,00
	TH 16 S (PR-2B)**	Mini Z8	574782 R	132,00		M 28 S (PR-2B)	Mini Z8	574744 R	132,00
	TH 20 S (PR-2B)**	Mini Z8	574788 R	132,00		M 35 S (PR-2B)	Mini Z8	574746 R	146,00
	TH 26 S (PR-2B)**	Mini Z8	574794 R	132,00					
	TH 32 S (PR-2B)	Mini Z8	574798 R	146,00					

Pressfitting systems for gas installations may only be pressed with the pressing tongs Mini which are highlighted in yellow in the table.

Observe the national regulations. Read and observe the system provider's/manufacturer's instructions for use and assembly instructions.

** Can also be driven by the ROLLER'S Easy-Press manual radial press using the Z8 adapter tongs, see page 90. Observe the national regulations.

1) Only pressing tongs from designation "108" (1st quarter of 2008), "208" (2nd quarter of 2008) etc. can be used. The designation is stamped on every pressing jaw.

2) For accommodating suitable pressing inserts.

3) Only pressing tongs from designation "117" (1st quarter of 201), "217" (2nd quarter of 2017) etc. can be used. The designation is stamped on every pressing jaw.

4) For pipes with the EN technical standard. Observe the system provider's/manufacturer's instructions for use.

5) Only use Mini pressing tongs identified by "VMP ½" G" on the pressing jaws for gas installations.

7) Previous designation: Mini C 26 pressing tongs

9) For pipes with the ASTM technical standard. Observe the system provider's/manufacturer's instructions for use.

Suitability of the ROLLER'S pressing tools for pressfitting systems: Status 27.10.2023. The current status can be found on the Internet:

www.albert-roller.de → Downloads → Product Catalogues, Brochures → ROLLER Catalogue.

See page 79 for adapter tongs. Pressing tongs/pressing rings for other press fitting systems on request.

System	Pressing tongs Mini/pressing rings	Drive with adapter tongs	Art.-No.	€
POLYSAN	M 15		578312	156,00
Handelsges.	M 18		578314	156,00
m.b.H. & Co KG	M 22		578316	156,00
(Krems/Österreich)	M 28		578318	156,00
	M 35		578390	189,00
POLYSAN-	M 15 S (PR-2B)	Mini Z8	574738 R	132,00
Edelstahl	M 18 S (PR-2B)	Mini Z8	574740 R	132,00
Press-System	M 22 S (PR-2B)	Mini Z8	574742 R	132,00
Wasser	M 28 S (PR-2B)	Mini Z8	574744 R	132,00
	M 35 S (PR-2B)	Mini Z8	574746 R	146,00
POLYSAN	TH 14		578348	188,00
Handelsges.	TH 16		578352 R	188,00
m.b.H. & Co KG	TH 17		578354	188,00
(Krems/Österreich)	TH 18		578356	188,00
	TH 20		578358 R	188,00
POLYSAN-	TH 26		578362 R	188,00
Press-System	TH 32		578364	188,00
	TH 40		578624	249,00
	TH 14 S (PR-2B)**	Mini Z8	574778 R	132,00
	TH 16 S (PR-2B)**	Mini Z8	574782 R	132,00
	TH 17 S (PR-2B)**	Mini Z8	574784 R	132,00
	TH 18 S (PR-2B)**	Mini Z8	574786 R	132,00
	TH 20 S (PR-2B)**	Mini Z8	574788 R	132,00
	TH 26 S (PR-2B)**	Mini Z8	574794 R	132,00
	TH 32 S (PR-2B)**	Mini Z8	574798 R	146,00
POLYSAN	TH 14		578348	188,00
Handelsges.	TH 16		578352 R	188,00
m.b.H. & Co KG	TH 17		578354	188,00
(Krems/Österreich)	TH 18		578356	188,00
	TH 20		578358 R	188,00
POLYSAN-Henco-	TH 26		578362 R	188,00
Press-System	HE 32		578370 R	225,00
	HEz 40 ³⁾		578572	327,00
	TH 14 S (PR-2B)**	Mini Z8	574778 R	132,00
	TH 16 S (PR-2B)**	Mini Z8	574782 R	132,00
	TH 17 S (PR-2B)**	Mini Z8	574784 R	132,00
	TH 18 S (PR-2B)**	Mini Z8	574786 R	132,00
	TH 20 S (PR-2B)**	Mini Z8	574788 R	132,00
	TH 26 S (PR-2B)**	Mini Z8	574794 R	132,00
POLYSAN (España)	U 16		578374	176,00
„Rainbow“	U 18		578376	176,00
	U 20		578378	176,00
	U 25		578380	176,00
	U 32		578382	206,00
	U 40		578386	251,00
Prandelli	H 14		578398	170,00
Multyrama Pf	H 16		578400	170,00
	H 18		578404	170,00
	H 20		578406	170,00
	H 26		578410	170,00
	H 32		578412	170,00
	U 40		578386	251,00
Prandelli	H 16		578400	170,00
Multyrama Pfm	H 18		578404	170,00
	H 20		578406	170,00
	H 26		578410	170,00
	H 32		578412	170,00
	TH 16		578352 R	188,00
	TH 18		578356	188,00
	TH 20		578358 R	188,00
	TH 26		578362 R	188,00
	TH 32		578364	188,00
	TH 40		578624	249,00
	TH 16 S (PR-2B)**	Mini Z8	574782 R	132,00
	TH 18 S (PR-2B)**	Mini Z8	574786 R	132,00
	TH 20 S (PR-2B)**	Mini Z8	574788 R	132,00
	TH 26 S (PR-2B)**	Mini Z8	574794 R	132,00
	TH 32 S (PR-2B)**	Mini Z8	574798 R	146,00
	U 16		578374	176,00
	U 18		578376	176,00
	U 20		578378	176,00
	U 40		578386	251,00
PURMO	F 16		578456	179,00
Cleverfit Radial	F 20		578460	179,00
	F 26		578462	194,00
	F 32		578464	194,00
	F 16 S (PR-2B)**	Mini Z8	574728 R	132,00
	F 20 S (PR-2B)**	Mini Z8	574730 R	132,00
	F 26 S (PR-2B)**	Mini Z8	574732 R	132,00
	F 32 S (PR-2B)	Mini Z8	574734 R	146,00
	H 16		578400	170,00
	H 20		578406	170,00
	H 26		578410	170,00
	H 32		578412	170,00
	TH 14		578348	188,00
	TH 16		578352 R	188,00
	TH 17		578354	188,00
	TH 20		578358 R	188,00
	TH 26		578362 R	188,00
	TH 32		578364	188,00
	TH 40		578624	249,00
	TH 14 S (PR-2B)**	Mini Z8	574778 R	132,00
	TH 16 S (PR-2B)**	Mini Z8	574782 R	132,00
	TH 17 S (PR-2B)**	Mini Z8	574784 R	132,00
	TH 20 S (PR-2B)**	Mini Z8	574788 R	132,00
	TH 26 S (PR-2B)**	Mini Z8	574794 R	132,00
	TH 32 S (PR-2B)	Mini Z8	574798 R	146,00
	U 16		578374	176,00
	U 20		578378	176,00
	U 32		578382	206,00
	VP 16		578482	188,00
	VP 20		578484	188,00
	VP 32		578488	207,00

System	Pressing tongs Mini/pressing rings	Drive with adapter tongs	Art.-No.	€
R				
Raccorderie	M 15		578312	156,00
Metallische	M 18		578314	156,00
aesPRES ¹⁾	M 22		578316	156,00
	M 28		578318	156,00
	M 35		578390	189,00
	M 15 S (PR-2B)	Mini Z8	574738 R	132,00
	M 18 S (PR-2B)	Mini Z8	574740 R	132,00
	M 22 S (PR-2B)	Mini Z8	574742 R	132,00
	M 28 S (PR-2B)	Mini Z8	574744 R	132,00
	M 35 S (PR-2B)	Mini Z8	574746 R	146,00
Raccorderie	M 15		578312	156,00
Metallische	M 18		578314	156,00
inoxPRES ¹⁾	M 22		578316	156,00
	M 28		578318	156,00
	M 35		578390	189,00
	M 15 S (PR-2B)	Mini Z8	574738 R	132,00
	M 18 S (PR-2B)	Mini Z8	574740 R	132,00
	M 22 S (PR-2B)	Mini Z8	574742 R	132,00
	M 28 S (PR-2B)	Mini Z8	574744 R	132,00
	M 35 S (PR-2B)	Mini Z8	574746 R	146,00
Raccorderie	M 15		578312	156,00
Metallische	M 18		578314	156,00
MARINEPRES ¹⁾	M 22		578316	156,00
	M 28		578318	156,00
	M 35		578390	189,00
	M 15 S (PR-2B)	Mini Z8	574738 R	132,00
	M 18 S (PR-2B)	Mini Z8	574740 R	132,00
	M 22 S (PR-2B)	Mini Z8	574742 R	132,00
	M 28 S (PR-2B)	Mini Z8	574744 R	132,00
	M 35 S (PR-2B)	Mini Z8	574746 R	146,00
Raccorderie	M 15		578312	156,00
Metallische	M 18		578314	156,00
steelPRES ¹⁾	M 22		578316	156,00
	M 28		578318	156,00
	M 35		578390	189,00
	M 15 S (PR-2B)	Mini Z8	574738 R	132,00
	M 18 S (PR-2B)	Mini Z8	574740 R	132,00
	M 22 S (PR-2B)	Mini Z8	574742 R	132,00
	M 28 S (PR-2B)	Mini Z8	574744 R	132,00
	M 35 S (PR-2B)	Mini Z8	574746 R	146,00
RBM Tita-fix	B 14		578466	205,00
	B 16		578468	205,00
	B 18		578470	205,00
	B 20		578472	205,00
	B 26		578474	226,00
	F 16		578456	179,00
	F 18		578458	179,00
	F 20		578460	179,00
	F 16 S (PR-2B)**	Mini Z8	574728 R	132,00
	F 20 S (PR-2B)**	Mini Z8	574730 R	132,00
	H 14		578398	170,00
	H 16		578400	170,00
	H 18		578404	170,00
	H 20		578406	170,00
	H 26		578410	170,00
	H 32		578412	170,00
	TH 14		578348	188,00
	TH 16		578352 R	188,00
	TH 18		578356	188,00
	TH 20		578358 R	188,00
	TH 26		578362 R	188,00
	TH 32		578364	188,00
	TH 40		578624	249,00
	TH 16 S (PR-2B)**	Mini Z8	574782 R	132,00
	TH 20 S (PR-2B)**	Mini Z8	574788 R	132,00
	TH 26 S (PR-2B)**	Mini Z8	574794 R	132,00
	TH 32 S (PR-2B)	Mini Z8	574798 R	146,00
	U 14		578372	185,00
	U 16		578374	176,00
	U 18		578376	176,00
	U 20		578378	176,00
RBM Tita-gas	TH 16		578352 R	188,00
	TH 20		578358 R	188,00
	TH 26		578362 R	188,00
	TH 32		578364	188,00
	TH 16 S (PR-2B)**	Mini Z8	574782 R	132,00
	TH 20 S (PR-2B)**	Mini Z8	574788 R	132,00
	TH 26 S (PR-2B)**	Mini Z8	574794 R	132,00
	TH 32 S (PR-2B)	Mini Z8	574798 R	146,00
Redi Nicoll Fluxo	TH 14		578348	188,00
	TH 16		578352 R	188,00
	TH 18		578356	188,00
	TH 20		578358 R	188,00
	TH 26		578362 R	188,00
	TH 32		578364	188,00
	TH 40		578624	249,00
	TH 16 S (PR-2B)**	Mini Z8	574782 R	132,00
	TH 20 S (PR-2B)**	Mini Z8	574788 R	132,00
	TH 26 S (PR-2B)**	Mini Z8	574794 R	132,00
	TH 32 S (PR-2B)	Mini Z8	574798 R	146,00

System	Pressing tongs Mini/pressing rings	Drive with adapter tongs	Art.-No.	€	
Redi Nicoll Fluxo Gas	TH 16		578352 R	188,00	
	TH 20		578358 R	188,00	
	TH 26		578362 R	188,00	
	TH 16 S (PR-2B)**	Mini Z8	574782 R	132,00	
	TH 20 S (PR-2B)**	Mini Z8	574788 R	132,00	
	TH 26 S (PR-2B)**	Mini Z8	574794 R	132,00	
RIFENG LD	LD 16		578652	194,00	
PRESS FITTING (F8)	LD 20		578654	194,00	
	LD 25		578656	194,00	
	U 14		578372	185,00	
RIFENG U PRESS FITTING (F5)	U 16		578374	176,00	
	U 18		578376	176,00	
	U 20		578378	176,00	
	U 25		578380	176,00	
	U 32		578382	206,00	
	U 40		578386	251,00	
RIFENG TH	TH 16		578352 R	188,00	
PRESS FITTING (F9)	TH 20		578358 R	188,00	
	TH 25		578360	188,00	
	TH 26		578362 R	188,00	
	TH 32		578364	188,00	
	TH 40		578624	249,00	
	TH 40		578624	249,00	
R/QUIER A SERTIR	RFz 12		578490	196,00	
	RFz 16		578492	196,00	
	RFz 20		578494	196,00	
	RFz 25		578496	196,00	
R/QUIER Système multicouche	TH 16		578352 R	188,00	
	TH 20		578358 R	188,00	
	TH 26		578362 R	188,00	
	TH 32		578364	188,00	
	TH 40		578624	249,00	
	TH 16 S (PR-2B)**	Mini Z8	574782 R	132,00	
	TH 20 S (PR-2B)**	Mini Z8	574788 R	132,00	
	TH 26 S (PR-2B)**	Mini Z8	574794 R	132,00	
	TH 32 S (PR-2B)	Mini Z8	574798 R	146,00	
	U 16		578374	176,00	
	U 20		578378	176,00	
	U 32		578382	206,00	
	U 40		578386	251,00	
Roth PressCheck	RN 14		578434	176,00	
	RN 16		578454	176,00	
	RN 17		578436	176,00	
	RN 20		578438	176,00	
	RN 25/26		578440	176,00	
	RN 32		578442	206,00	
Rubinetterie	M 15		578312	156,00	
Bresciane	M 18		578314	156,00	
Bonomi	M 22		578316	156,00	
TURBO CuNi	M 28		578318	156,00	
	M 35		578390	189,00	
	M 15 S (PR-2B)	Mini Z8	574738 R	132,00	
	M 18 S (PR-2B)	Mini Z8	574740 R	132,00	
	M 22 S (PR-2B)	Mini Z8	574742 R	132,00	
	M 28 S (PR-2B)	Mini Z8	574744 R	132,00	
	M 35 S (PR-2B)	Mini Z8	574746 R	146,00	
	Rubinetterie	M 15		578312	156,00
	Bresciane	M 18		578314	156,00
	Bonomi	M 22		578316	156,00
TURBO INOX	M 28		578318	156,00	
	M 35		578390	189,00	
	M 15 S (PR-2B)	Mini Z8	574738 R	132,00	
	M 18 S (PR-2B)	Mini Z8	574740 R	132,00	
	M 22 S (PR-2B)	Mini Z8	574742 R	132,00	
	M 28 S (PR-2B)	Mini Z8	574744 R	132,00	
	M 35 S (PR-2B)	Mini Z8	574746 R	146,00	
	Rubinetterie	M 15		578312	156,00
	Bresciane	M 18		578314	156,00
	Bonomi	M 22		578316	156,00
TURBO INOX GAS	M 28		578318	156,00	
	M 35		578390	189,00	
	M 15 S (PR-2B)	Mini Z8	574738 R	132,00	
	M 18 S (PR-2B)	Mini Z8	574740 R	132,00	
	M 22 S (PR-2B)	Mini Z8	574742 R	132,00	
	M 28 S (PR-2B)	Mini Z8	574744 R	132,00	
	M 35 S (PR-2B)	Mini Z8	574746 R	146,00	

System	Pressing tongs Mini/pressing rings	Drive with adapter tongs	Art.-No.	€	
Rubinetterie	M 15		578312	156,00	
Bresciane	M 18		578314	156,00	
Bonomi	M 22		578316	156,00	
TURBO STEEL	M 28		578318	156,00	
	M 35		578390	189,00	
	M 15 S (PR-2B)	Mini Z8	574738 R	132,00	
	M 18 S (PR-2B)	Mini Z8	574740 R	132,00	
	M 22 S (PR-2B)	Mini Z8	574742 R	132,00	
	M 28 S (PR-2B)	Mini Z8	574744 R	132,00	
	M 35 S (PR-2B)	Mini Z8	574746 R	146,00	
	Rubinetterie	B 14		578466	205,00
	Bresciane	B 16		578468	205,00
	Bonomi	B 18		578470	205,00
TURBO PRESS	B 20		578472	205,00	
	B 26		578474	226,00	
	B 32		578476	226,00	
	H 14		578398	170,00	
	H 16		578400	170,00	
	H 18		578404	170,00	
	H 20		578406	170,00	
	H 26		578410	170,00	
	H 32		578412	170,00	
	TH 14		578348	188,00	
	TH 16		578352 R	188,00	
	TH 18		578356	188,00	
	TH 20		578358 R	188,00	
	TH 26		578362 R	188,00	
	TH 32		578364	188,00	
	TH 40		578624	249,00	
	TH 16 S (PR-2B)**	Mini Z8	574782 R	132,00	
	TH 20 S (PR-2B)**	Mini Z8	574788 R	132,00	
	TH 26 S (PR-2B)**	Mini Z8	574794 R	132,00	
	TH 32 S (PR-2B)	Mini Z8	574798 R	146,00	
	U 14		578372	185,00	
	U 16		578374	176,00	
	U 18		578376	176,00	
	U 20		578378	176,00	
	U 26 ⁹⁾		578392	206,00	
	U 32		578382	206,00	
Rubinetterie	TH 16		578352 R	188,00	
Bresciane	TH 20		578358 R	188,00	
Bonomi	TH 26		578362 R	188,00	
TURBO PRESS GAS	TH 32		578364	188,00	
	TH 16 S (PR-2B)**	Mini Z8	574782 R	132,00	
	TH 20 S (PR-2B)**	Mini Z8	574788 R	132,00	
	TH 26 S (PR-2B)**	Mini Z8	574794 R	132,00	
	TH 32 S (PR-2B)	Mini Z8	574798 R	146,00	
S					
SA.MI PLASTIC	TH 14		578348	188,00	
	TH 16		578352 R	188,00	
	TH 18		578356	188,00	
	TH 20		578358 R	188,00	
	TH 26		578362 R	188,00	
	TH 32		578364	188,00	
	TH 40		578624	249,00	
	TH 14 S (PR-2B)**	Mini Z8	574778 R	132,00	
	TH 16 S (PR-2B)**	Mini Z8	574782 R	132,00	
	TH 18 S (PR-2B)**	Mini Z8	574786 R	132,00	
SA.MI PLASTIC Multistrato Gas	TH 20 S (PR-2B)**	Mini Z8	574788 R	132,00	
	TH 26 S (PR-2B)**	Mini Z8	574794 R	132,00	
	TH 32 S (PR-2B)	Mini Z8	574798 R	146,00	
	TH 16		578352 R	188,00	
	TH 20		578358 R	188,00	
	TH 26		578362 R	188,00	
	TH 32		578364	188,00	
	TH 16 S (PR-2B)**	Mini Z8	574782 R	132,00	
	TH 20 S (PR-2B)**	Mini Z8	574788 R	132,00	
	TH 26 S (PR-2B)**	Mini Z8	574794 R	132,00	
TH 32 S (PR-2B)	Mini Z8	574798 R	146,00		

Pressfitting systems for gas installations may only be pressed with the pressing tongs Mini which are highlighted in yellow in the table.

Observe the national regulations. Read and observe the system provider's/manufacturer's instructions for use and assembly instructions.

** Can also be driven by the ROLLER'S Easy-Press manual radial press using the Z8 adapter tongs, see page 90. Observe the national regulations.

¹⁾ Only pressing tongs from designation "108" (1st quarter of 2008), "208" (2nd quarter of 2008) etc. can be used. The designation is stamped on every pressing jaw.

²⁾ For accommodating suitable pressing inserts.

³⁾ Only pressing tongs from designation "117" (1st quarter of 201), "217" (2nd quarter of 2017) etc. can be used. The designation is stamped on every pressing jaw.

⁴⁾ For pipes with the EN technical standard. Observe the system provider's/manufacturer's instructions for use.

⁵⁾ Only use Mini pressing tongs identified by "VMP 1/2" G" on the pressing jaws for gas installations.

⁷⁾ Previous designation: Mini C 26 pressing tongs

⁹⁾ For pipes with the ASTM technical standard. Observe the system provider's/manufacturer's instructions for use.

Suitability of the ROLLER'S pressing tools for pressfitting systems: Status 27.10.2023. The current status can be found on the Internet:

www.albert-roller.de → Downloads → Product Catalogues, Brochures → ROLLER Catalogue.

See page 79 for adapter tongs. Pressing tongs/pressing rings for other press fitting systems on request.

ROLLER'S pressing tongs Mini / pressing rings

Accessory for ROLLER'S 22kN radial presses

System	Pressing tongs Mini/pressing rings	Drive with adapter tongs	Art.-No.	€
SANHA	B 16		578468	205,00
3fit-Press Pb-free	B 20		578472	205,00
Serie 25000	B 26		578474	226,00
	B 32		578476	226,00
	F 16		578456	179,00
	F 20		578460	179,00
	F 26		578462	194,00
	F 32		578464	194,00
	Fz 40		578478	262,00
	F 16 S (PR-2B)**	Mini Z8	574728 R	132,00
	F 20 S (PR-2B)**	Mini Z8	574730 R	132,00
	F 26 S (PR-2B)**	Mini Z8	574732 R	132,00
	F 32 S (PR-2B)	Mini Z8	574734 R	146,00
	H 16		578400	170,00
	H 20		578406	170,00
	H 26		578410	170,00
	H 32		578412	170,00
	TH 16		578352 R	188,00
	TH 20		578358 R	188,00
	TH 26		578362 R	188,00
	TH 32		578364	188,00
	TH 40		578624	249,00
	TH 16 S (PR-2B)**	Mini Z8	574782 R	132,00
	TH 20 S (PR-2B)**	Mini Z8	574788 R	132,00
	TH 26 S (PR-2B)**	Mini Z8	574794 R	132,00
	TH 32 S (PR-2B)	Mini Z8	574798 R	146,00
	U 16		578374	176,00
	U 20		578378	176,00
	U 26 ⁷⁾		578392	206,00
	U 32		578382	206,00
	U 40		578386	251,00
SANHA	B 16		578468	205,00
3fit-Press PPSU	B 20		578472	205,00
Serie 35000	B 26		578474	226,00
	B 32		578476	226,00
	F 16		578456	179,00
	F 20		578460	179,00
	F 26		578462	194,00
	F 32		578464	194,00
	F 16 S (PR-2B)**	Mini Z8	574728 R	132,00
	F 20 S (PR-2B)**	Mini Z8	574730 R	132,00
	F 26 S (PR-2B)**	Mini Z8	574732 R	132,00
	F 32 S (PR-2B)	Mini Z8	574734 R	146,00
	H 16		578400	170,00
	H 20		578406	170,00
	H 26		578410	170,00
	H 32		578412	170,00
	TH 16		578352 R	188,00
	TH 20		578358 R	188,00
	TH 26		578362 R	188,00
	TH 32		578364	188,00
	TH 16 S (PR-2B)**	Mini Z8	574782 R	132,00
	TH 20 S (PR-2B)**	Mini Z8	574788 R	132,00
	TH 26 S (PR-2B)**	Mini Z8	574794 R	132,00
	TH 32 S (PR-2B)	Mini Z8	574798 R	146,00
	U 16		578374	176,00
	U 20		578378	176,00
	U 26 ⁷⁾		578392	206,00
	U 32		578382	206,00
SANHA	VMP ½" G (OD 21,3 mm)		578666 R	217,00
Heavy Steel Press	VMPz ¾" (OD 26,9 mm)		578664	217,00
SANHA	VMP ½" G (OD 21,3 mm) ⁶⁾		578666 R	217,00
Heavy Steel Press Gas	VMPz ¾" (OD 26,9 mm)		578664	217,00
SANHA-NiroSan	SA 15		578514	188,00
Gas Presssystem	SA 18		578518	188,00
Serie 17000	SA 22		578520	188,00
	SA 28		578522	188,00
	M 15 ¹⁾		578312	156,00
	M 18 ¹⁾		578314	156,00
	M 22 ¹⁾		578316	156,00
	M 28		578318	156,00
	M 35		578390	189,00
	M 15 S (PR-2B)	Mini Z8	574738 R	132,00
	M 18 S (PR-2B)	Mini Z8	574740 R	132,00
	M 22 S (PR-2B)	Mini Z8	574742 R	132,00
	M 28 S (PR-2B)	Mini Z8	574744 R	132,00
	M 35 S (PR-2B)	Mini Z8	574746 R	146,00
	V 15 ¹⁾		578328	156,00
	V 18 ¹⁾		578332	156,00
	V 22 ¹⁾		578334	156,00
	V 28		578336	156,00
	V 35		578604	189,00
	V 15 S (PR-2B)	Mini Z8	574752 R	132,00
	V 18 S (PR-2B)	Mini Z8	574756 R	132,00
	V 22 S (PR-2B)	Mini Z8	574758 R	132,00
	V 28 S (PR-2B)	Mini Z8	574760 R	132,00
	V 35 S (PR-2B)	Mini Z8	574762 R	146,00

System	Pressing tongs Mini/pressing rings	Drive with adapter tongs	Art.-No.	€
SANHA-NiroSan	SA 15		578514	188,00
Industry	SA 18		578518	188,00
Presssystem	SA 22		578520	188,00
Serie 18000	SA 28		578522	188,00
	M 15 ¹⁾		578312	156,00
	M 18 ¹⁾		578314	156,00
	M 22 ¹⁾		578316	156,00
	M 28		578318	156,00
	M 35		578390	189,00
	M 15 S (PR-2B)	Mini Z8	574738 R	132,00
	M 18 S (PR-2B)	Mini Z8	574740 R	132,00
	M 22 S (PR-2B)	Mini Z8	574742 R	132,00
	M 28 S (PR-2B)	Mini Z8	574744 R	132,00
	M 35 S (PR-2B)	Mini Z8	574746 R	146,00
	V 15 ¹⁾		578328	156,00
	V 18 ¹⁾		578332	156,00
	V 22 ¹⁾		578334	156,00
	V 28		578336	156,00
	V 35		578604	189,00
	V 15 S (PR-2B)	Mini Z8	574752 R	132,00
	V 18 S (PR-2B)	Mini Z8	574756 R	132,00
	V 22 S (PR-2B)	Mini Z8	574758 R	132,00
	V 28 S (PR-2B)	Mini Z8	574760 R	132,00
	V 35 S (PR-2B)	Mini Z8	574762 R	146,00
SANHA-NiroSan-	SA 15		578514	188,00
Presssystem	SA 18		578518	188,00
Serie 9000	SA 22		578520	188,00
	SA 28		578522	188,00
	M 15 ¹⁾		578312	156,00
	M 18 ¹⁾		578314	156,00
	M 22 ¹⁾		578316	156,00
	M 28		578318	156,00
	M 35		578390	189,00
	M 15 S (PR-2B)	Mini Z8	574738 R	132,00
	M 18 S (PR-2B)	Mini Z8	574740 R	132,00
	M 22 S (PR-2B)	Mini Z8	574742 R	132,00
	M 28 S (PR-2B)	Mini Z8	574744 R	132,00
	M 35 S (PR-2B)	Mini Z8	574746 R	146,00
	V 15 ¹⁾		578328	156,00
	V 18 ¹⁾		578332	156,00
	V 22 ¹⁾		578334	156,00
	V 28		578336	156,00
	V 35		578604	189,00
	V 15 S (PR-2B)	Mini Z8	574752 R	132,00
	V 18 S (PR-2B)	Mini Z8	574756 R	132,00
	V 22 S (PR-2B)	Mini Z8	574758 R	132,00
	V 28 S (PR-2B)	Mini Z8	574760 R	132,00
	V 35 S (PR-2B)	Mini Z8	574762 R	146,00
SANHA-NiroSan	SA 15		578514	188,00
SF Presssystem	SA 18		578518	188,00
Serie 19000	SA 22		578520	188,00
(silicone free)	SA 28		578522	188,00
	M 15 ¹⁾		578312	156,00
	M 18 ¹⁾		578314	156,00
	M 22 ¹⁾		578316	156,00
	M 28		578318	156,00
	M 35		578390	189,00
	M 15 S (PR-2B)	Mini Z8	574738 R	132,00
	M 18 S (PR-2B)	Mini Z8	574740 R	132,00
	M 22 S (PR-2B)	Mini Z8	574742 R	132,00
	M 28 S (PR-2B)	Mini Z8	574744 R	132,00
	M 35 S (PR-2B)	Mini Z8	574746 R	146,00
	V 15 ¹⁾		578328	156,00
	V 18 ¹⁾		578332	156,00
	V 22 ¹⁾		578334	156,00
	V 28		578336	156,00
	V 35		578604	189,00
	V 15 S (PR-2B)	Mini Z8	574752 R	132,00
	V 18 S (PR-2B)	Mini Z8	574756 R	132,00
	V 22 S (PR-2B)	Mini Z8	574758 R	132,00
	V 28 S (PR-2B)	Mini Z8	574760 R	132,00
	V 35 S (PR-2B)	Mini Z8	574762 R	146,00
SANHA	SA 15		578514	188,00
NiroTherm	SA 18		578518	188,00
Serie 91000	SA 22		578520	188,00
	SA 28		578522	188,00
	M 15 ¹⁾		578312	156,00
	M 18 ¹⁾		578314	156,00
	M 22 ¹⁾		578316	156,00
	M 28		578318	156,00
	M 35		578390	189,00
	M 15 S (PR-2B)	Mini Z8	574738 R	132,00
	M 18 S (PR-2B)	Mini Z8	574740 R	132,00
	M 22 S (PR-2B)	Mini Z8	574742 R	132,00
	M 28 S (PR-2B)	Mini Z8	574744 R	132,00
	M 35 S (PR-2B)	Mini Z8	574746 R	146,00
	V 15 ¹⁾		578328	156,00
	V 18 ¹⁾		578332	156,00
	V 22 ¹⁾		578334	156,00
	V 28		578336	156,00
	V 35		578604	189,00
	V 15 S (PR-2B)	Mini Z8	574752 R	132,00
	V 18 S (PR-2B)	Mini Z8	574756 R	132,00
	V 22 S (PR-2B)	Mini Z8	574758 R	132,00
	V 28 S (PR-2B)	Mini Z8	574760 R	132,00
	V 35 S (PR-2B)	Mini Z8	574762 R	146,00

System	Pressing tongs Mini/pressing rings	Drive with adapter tongs	Art.-No.	€	System	Pressing tongs Mini/pressing rings	Drive with adapter tongs	Art.-No.	€
SANHA NiroTherm Industry Serie 98000	SA 15		578514	188,00	SANHA-Press Pressfittings Serie 6000	SA 12		578510	272,00
	SA 18		578518	188,00		SA 14		578512	272,00
	SA 22		578520	188,00		SA 15		578514	188,00
	SA 28		578522	188,00		SA 16		578516	188,00
	M 15 ¹⁾		578312	156,00		SA 18		578518	188,00
	M 18 ¹⁾		578314	156,00		SA 22		578520	188,00
	M 22 ¹⁾		578316	156,00		SA 28		578522	188,00
	M 28		578318	156,00		M 12		578310	156,00
	M 35		578390	189,00		M 15 ¹⁾		578312	156,00
	M 15 S (PR-2B)	Mini Z8	574738 R	132,00		M 18 ¹⁾		578314	156,00
	M 18 S (PR-2B)	Mini Z8	574740 R	132,00		M 22 ¹⁾		578316	156,00
	M 22 S (PR-2B)	Mini Z8	574742 R	132,00		M 28		578318	156,00
	M 28 S (PR-2B)	Mini Z8	574744 R	132,00		M 35		578390	189,00
	M 35 S (PR-2B)	Mini Z8	574746 R	146,00		M 12 S (PR-2B)	Mini Z8	574736 R	132,00
	V 15 ¹⁾		578328	156,00		M 15 S (PR-2B)	Mini Z8	574738 R	132,00
	V 18 ¹⁾		578332	156,00		M 18 S (PR-2B)	Mini Z8	574740 R	132,00
	V 22 ¹⁾		578334	156,00		M 22 S (PR-2B)	Mini Z8	574742 R	132,00
	V 28		578336	156,00		M 28 S (PR-2B)	Mini Z8	574744 R	132,00
	V 35		578604	189,00		M 35 S (PR-2B)	Mini Z8	574746 R	146,00
	V 15 S (PR-2B)	Mini Z8	574752 R	132,00		V 12		578324	156,00
	V 18 S (PR-2B)	Mini Z8	574756 R	132,00		V 14		578326	156,00
	V 22 S (PR-2B)	Mini Z8	574758 R	132,00		V 15 ¹⁾		578328	156,00
	V 28 S (PR-2B)	Mini Z8	574760 R	132,00		V 16		578330	156,00
V 35 S (PR-2B)	Mini Z8	574762 R	146,00	VG 14		578338	156,00		
SA 12		578510	272,00	V 15 ¹⁾		578328	156,00		
SA 15		578514	188,00	V 16		578330	156,00		
SA 18		578518	188,00	VG 16		578340	156,00		
SA 22		578520	188,00	V 18 ¹⁾		578332	156,00		
SA 28		578522	188,00	V 22 ¹⁾		578334	156,00		
M 12		578310	156,00	V 28		578336	156,00		
M 15 ¹⁾		578312	156,00	V 35		578604	189,00		
M 18 ¹⁾		578314	156,00	V 12 S (PR-2B)	Mini Z8	574748 R	132,00		
M 22 ¹⁾		578316	156,00	VG 14 S (PR-2B)	Mini Z8	574750 R	132,00		
M 28		578318	156,00	V 15 S (PR-2B)	Mini Z8	574752 R	132,00		
M 12 S (PR-2B)	Mini Z8	574736 R	132,00	VG 16 S (PR-2B)	Mini Z8	574754 R	132,00		
M 15 S (PR-2B)	Mini Z8	574738 R	132,00	V 18 S (PR-2B)	Mini Z8	574756 R	132,00		
M 18 S (PR-2B)	Mini Z8	574740 R	132,00	V 22 S (PR-2B)	Mini Z8	574758 R	132,00		
M 22 S (PR-2B)	Mini Z8	574742 R	132,00	V 28 S (PR-2B)	Mini Z8	574760 R	132,00		
M 28 S (PR-2B)	Mini Z8	574744 R	132,00	V 35 S (PR-2B)	Mini Z8	574762 R	146,00		
V 12		578324	156,00	SANHA-Press	SA 12		578510	272,00	
V 15 ¹⁾		578328	156,00	SOLAR	SA 15		578514	188,00	
V 18 ¹⁾		578332	156,00	Pressfittings	SA 18		578518	188,00	
V 22 ¹⁾		578334	156,00	Serie 12000/	SA 22		578520	188,00	
V 28		578336	156,00	Serie 13000	SA 28		578522	188,00	
V 35		578604	189,00	M 12		578310	156,00		
V 12 S (PR-2B)	Mini Z8	574748 R	132,00	M 15 ¹⁾		578312	156,00		
V 15 S (PR-2B)	Mini Z8	574752 R	132,00	M 18 ¹⁾		578314	156,00		
V 18 S (PR-2B)	Mini Z8	574756 R	132,00	M 22 ¹⁾		578316	156,00		
V 22 S (PR-2B)	Mini Z8	574758 R	132,00	M 28		578318	156,00		
V 28 S (PR-2B)	Mini Z8	574760 R	132,00	M 35		578390	189,00		
V 35 S (PR-2B)	Mini Z8	574762 R	146,00	M 12 S (PR-2B)	Mini Z8	574736 R	132,00		
SA 12		578510	272,00	M 15 S (PR-2B)	Mini Z8	574738 R	132,00		
SA 14		578512	272,00	M 18 S (PR-2B)	Mini Z8	574740 R	132,00		
SA 15		578514	188,00	M 22 S (PR-2B)	Mini Z8	574742 R	132,00		
SA 16		578516	188,00	M 28 S (PR-2B)	Mini Z8	574744 R	132,00		
SA 18		578518	188,00	M 35 S (PR-2B)	Mini Z8	574746 R	146,00		
SA 22		578520	188,00	V 12		578324	156,00		
SA 28		578522	188,00	V 14		578326	156,00		
M 12		578310	156,00	VG 14		578338	156,00		
M 15 ¹⁾		578312	156,00	V 15 ¹⁾		578328	156,00		
M 18 ¹⁾		578314	156,00	V 16		578330	156,00		
M 22 ¹⁾		578316	156,00	VG 16		578340	156,00		
M 28		578318	156,00	V 18 ¹⁾		578332	156,00		
M 35		578390	189,00	V 22 ¹⁾		578334	156,00		
M 12 S (PR-2B)	Mini Z8	574736 R	132,00	V 28		578336	156,00		
M 15 S (PR-2B)	Mini Z8	574738 R	132,00	V 35		578604	189,00		
M 18 S (PR-2B)	Mini Z8	574740 R	132,00	V 12 S (PR-2B)	Mini Z8	574748 R	132,00		
M 22 S (PR-2B)	Mini Z8	574742 R	132,00	V 15 S (PR-2B)	Mini Z8	574752 R	132,00		
M 28 S (PR-2B)	Mini Z8	574744 R	132,00	V 18 S (PR-2B)	Mini Z8	574756 R	132,00		
M 35 S (PR-2B)	Mini Z8	574746 R	146,00	V 22 S (PR-2B)	Mini Z8	574758 R	132,00		
V 12		578324	156,00	V 28 S (PR-2B)	Mini Z8	574760 R	132,00		
V 14		578326	156,00	V 35 S (PR-2B)	Mini Z8	574762 R	146,00		
VG 14		578338	156,00						
V 15 ¹⁾		578328	156,00						
V 16		578330	156,00						
VG 16		578340	156,00						
V 18 ¹⁾		578332	156,00						
V 22 ¹⁾		578334	156,00						
V 28		578336	156,00						
V 35		578604	189,00						
V 12 S (PR-2B)	Mini Z8	574748 R	132,00						
VG 14 S (PR-2B)	Mini Z8	574750 R	132,00						
V 15 S (PR-2B)	Mini Z8	574752 R	132,00						
VG 16 S (PR-2B)	Mini Z8	574754 R	132,00						
V 18 S (PR-2B)	Mini Z8	574756 R	132,00						
V 22 S (PR-2B)	Mini Z8	574758 R	132,00						
V 28 S (PR-2B)	Mini Z8	574760 R	132,00						
V 35 S (PR-2B)	Mini Z8	574762 R	146,00						

Pressfitting systems for gas installations may only be pressed with the pressing tongs Mini which are highlighted in yellow in the table.

Observe the national regulations. Read and observe the system provider's/manufacture's instructions for use and assembly instructions.

** Can also be driven by the ROLLER'S Easy-Press manual radial press using the Z8 adapter tongs, see page 90. Observe the national regulations.

¹⁾ Only pressing tongs from designation "108" (1st quarter of 2008), "208" (2nd quarter of 2008) etc. can be used. The designation is stamped on every pressing jaw.

²⁾ For accommodating suitable pressing inserts.

³⁾ Only pressing tongs from designation "117" (1st quarter of 201), "217" (2nd quarter of 2017) etc. can be used. The designation is stamped on every pressing jaw.

⁴⁾ For pipes with the EN technical standard. Observe the system provider's/manufacture's instructions for use.

⁵⁾ Only use Mini pressing tongs identified by "VMP ½" G" on the pressing jaws for gas installations.

⁷⁾ Previous designation: Mini C 26 pressing tongs

⁹⁾ For pipes with the ASTM technical standard. Observe the system provider's/manufacture's instructions for use.

Suitability of the ROLLER'S pressing tools for pressfitting systems: Status 27.10.2023. The current status can be found on the Internet:

www.albert-roller.de → Downloads → Product Catalogues, Brochures → ROLLER Catalogue.

See page 79 for adapter tongs. Pressing tongs/pressing rings for other press fitting systems on request.

System	Pressing tongs Mini/pressing rings	Drive with adapter tongs	Art.-No.	€	System	Pressing tongs Mini/pressing rings	Drive with adapter tongs	Art.-No.	€	
SANHA PURAPRESS Serie 8000	SA 12		578510	272,00	SANITOP	M 15		578312	156,00	
	SA 14		578512	272,00	PERMATUBO INOX	M 18		578314	156,00	
	SA 15		578514	188,00		M 22		578316	156,00	
	SA 16		578516	188,00		M 28		578318	156,00	
	SA 18		578518	188,00		M 35		578390	189,00	
	SA 22		578520	188,00		M 15 S (PR-2B)	Mini Z8	574738 R	132,00	
	SA 28		578522	188,00		M 18 S (PR-2B)	Mini Z8	574740 R	132,00	
	M 12 ¹⁾		578310	156,00		M 22 S (PR-2B)	Mini Z8	574742 R	132,00	
	M 15 ¹⁾		578312	156,00		M 28 S (PR-2B)	Mini Z8	574744 R	132,00	
	M 18 ¹⁾		578314	156,00		M 35 S (PR-2B)	Mini Z8	574746 R	146,00	
	M 22 ¹⁾		578316	156,00	SANPRO	TH 16		578352 R	188,00	
	M 28 ¹⁾		578318	156,00	THPRESS	TH 20		578358 R	188,00	
	M 35 ¹⁾		578390	189,00		TH 26		578362 R	188,00	
	M 12 S (PR-2B)	Mini Z8	574736 R	132,00		TH 32		578364	188,00	
	M 15 S (PR-2B)	Mini Z8	574738 R	132,00		TH 16 S (PR-2B)**	Mini Z8	574782 R	132,00	
	M 18 S (PR-2B)	Mini Z8	574740 R	132,00		TH 20 S (PR-2B)**	Mini Z8	574788 R	132,00	
	M 22 S (PR-2B)	Mini Z8	574742 R	132,00		TH 26 S (PR-2B)**	Mini Z8	574794 R	132,00	
	M 28 S (PR-2B)	Mini Z8	574744 R	132,00		TH 32 S (PR-2B)	Mini Z8	574798 R	146,00	
	M 35 S (PR-2B)	Mini Z8	574746 R	146,00	SATEC SK ViTerm	TH 16		578352 R	188,00	
	V 12		578324	156,00		TH 18		578356	188,00	
	V 14		578326	156,00		TH 20		578358 R	188,00	
	VG 14		578338	156,00		TH 26		578362 R	188,00	
	V 15 ¹⁾		578328	156,00		TH 32		578364	188,00	
	V 16		578330	156,00		U 40		578386	251,00	
	VG 16		578340	156,00	SAVEUR REFLEX	TH 16		578352 R	188,00	
	V 18 ¹⁾		578332	156,00	PEX Water	TH 20		578358 R	188,00	
	V 22 ¹⁾		578334	156,00		TH 25		578360	188,00	
	V 28		578336	156,00		TH 32		578364	188,00	
	V 35		578604	189,00	SAVEUR REFLEX	TH 16		578352 R	188,00	
	V 12 S (PR-2B)	Mini Z8	574748 R	132,00	PEX-AL-PEX	TH 20		578358 R	188,00	
	VG 14 S (PR-2B)	Mini Z8	574750 R	132,00	Gas	TH 25		578360	188,00	
	V 15 S (PR-2B)	Mini Z8	574752 R	132,00		TH 32		578364	188,00	
	VG 16 S (PR-2B)	Mini Z8	574754 R	132,00	Schütz	TH 14		578348	188,00	
	V 18 S (PR-2B)	Mini Z8	574756 R	132,00	duo-flex	TH 16		578352 R	188,00	
	V 22 S (PR-2B)	Mini Z8	574758 R	132,00	tri-o-flex	TH 17		578354	188,00	
	V 28 S (PR-2B)	Mini Z8	574760 R	132,00		TH 20		578358 R	188,00	
	V 35 S (PR-2B)	Mini Z8	574762 R	146,00		TH 25		578360	188,00	
	SANHA-Therm Serie 24000	SA 12		578510	272,00		TH 16 S (PR-2B)**	Mini Z8	574782 R	132,00
		SA 15		578514	188,00		TH 20 S (PR-2B)**	Mini Z8	574788 R	132,00
		SA 18		578518	188,00	Schwer Fittings	M 12		578310	156,00
		SA 22		578520	188,00	AQUApress	M 15		578312	156,00
	SA 28		578522	188,00		M 18		578314	156,00	
	M 12		578310	156,00		M 22		578316	156,00	
	M 15 ¹⁾		578312	156,00		M 28		578318	156,00	
	M 18 ¹⁾		578314	156,00		M 35		578390	189,00	
	M 22 ¹⁾		578316	156,00		M 12 S (PR-2B)	Mini Z8	574736 R	132,00	
	M 28		578318	156,00		M 15 S (PR-2B)	Mini Z8	574738 R	132,00	
	M 35		578390	189,00		M 18 S (PR-2B)	Mini Z8	574740 R	132,00	
	M 12 S (PR-2B)	Mini Z8	574736 R	132,00		M 22 S (PR-2B)	Mini Z8	574742 R	132,00	
	M 15 S (PR-2B)	Mini Z8	574738 R	132,00		M 28 S (PR-2B)	Mini Z8	574744 R	132,00	
	M 18 S (PR-2B)	Mini Z8	574740 R	132,00		M 35 S (PR-2B)	Mini Z8	574746 R	146,00	
	M 22 S (PR-2B)	Mini Z8	574742 R	132,00	Seppelfricke	> Aalberts integrated piping systems				
	M 28 S (PR-2B)	Mini Z8	574744 R	132,00	SESTA	TH 14		578348	188,00	
	M 35 S (PR-2B)	Mini Z8	574746 R	146,00	SESTA GAS	TH 16		578352 R	188,00	
	V 12		578324	156,00		TH 20		578358 R	188,00	
	V 15 ¹⁾		578328	156,00		TH 26		578362 R	188,00	
	V 18 ¹⁾		578332	156,00		TH 32		578364	188,00	
	V 22 ¹⁾		578334	156,00	SESTA	H 16		578400	170,00	
	V 28		578336	156,00	система	H 20		578406	170,00	
	V 35		578604	189,00	multistrato	TH 14		578348	188,00	
	V 12 S (PR-2B)	Mini Z8	574748 R	132,00		TH 16		578352 R	188,00	
	V 15 S (PR-2B)	Mini Z8	574750 R	132,00		TH 18		578356	188,00	
	V 18 S (PR-2B)	Mini Z8	574752 R	132,00		TH 20		578358 R	188,00	
	V 22 S (PR-2B)	Mini Z8	574754 R	132,00		TH 26		578362 R	188,00	
	V 28 S (PR-2B)	Mini Z8	574758 R	132,00		TH 32		578364	188,00	
	V 35 S (PR-2B)	Mini Z8	574762 R	146,00		TH 40		578624	249,00	
SANHA-Therm Industry Serie 28000	SA 12		578510	272,00		U 16		578374	176,00	
	SA 15		578514	188,00		U 20		578378	176,00	
	SA 18		578518	188,00	SIGMA LI	TH 16		578352 R	188,00	
	SA 22		578520	188,00	Premium	TH 20		578358 R	188,00	
	SA 28		578522	188,00		TH 25		578360	188,00	
	M 12		578310	156,00		TH 32		578364	188,00	
	M 15 ¹⁾		578312	156,00		TH 16 S (PR-2B)**	Mini Z8	574782 R	132,00	
	M 18 ¹⁾		578314	156,00		TH 20 S (PR-2B)**	Mini Z8	574788 R	132,00	
	M 22 ¹⁾		578316	156,00		TH 25 S (PR-2B)**	Mini Z8	574792 R	132,00	
	M 28		578318	156,00		TH 32 S (PR-2B)	Mini Z8	574798 R	146,00	
	M 35		578390	189,00		U 16		578374	176,00	
	M 12 S (PR-2B)	Mini Z8	574736 R	132,00		U 20		578378	176,00	
	M 15 S (PR-2B)	Mini Z8	574738 R	132,00		U 25		578380	176,00	
	M 18 S (PR-2B)	Mini Z8	574740 R	132,00		U 32		578382	206,00	
	M 22 S (PR-2B)	Mini Z8	574742 R	132,00	SLOVARM	U 16		578374	176,00	
	M 28 S (PR-2B)	Mini Z8	574744 R	132,00	PEX-THERM	U 20		578378	176,00	
	M 35 S (PR-2B)	Mini Z8	574746 R	146,00		H 26		578410	170,00	
	V 12		578324	156,00		U 32		578382	206,00	
	V 15 ¹⁾		578328	156,00		H 16		578400	170,00	
	V 18 ¹⁾		578332	156,00		H 20		578406	170,00	
	V 22 ¹⁾		578334	156,00		H 26		578410	170,00	
	V 28		578336	156,00		H 32		578412	170,00	
	V 35		578604	189,00						
	V 12 S (PR-2B)	Mini Z8	574748 R	132,00						
	V 15 S (PR-2B)	Mini Z8	574750 R	132,00						
	V 18 S (PR-2B)	Mini Z8	574752 R	132,00						
	V 22 S (PR-2B)	Mini Z8	574754 R	132,00						
	V 28 S (PR-2B)	Mini Z8	574758 R	132,00						
	V 35 S (PR-2B)	Mini Z8	574762 R	146,00						

System	Pressing tongs Mini/pressing rings	Drive with adapter tongs	Art.-No.	€	
STANDARD HIDRAULICA MultiStandard	H 16		578400	170,00	
	H 20		578406	170,00	
	H 25		578408	170,00	
	H 32		578412	170,00	
	RFz 16		578492	196,00	
	RFz 20		578494	196,00	
	RFz 25		578496	196,00	
	RFz 32		578498	196,00	
	TH 16		578352 R	188,00	
	TH 20		578358 R	188,00	
	TH 25		578360	188,00	
	TH 32		578364	188,00	
	TH 16 S (PR-2B)**	Mini Z8	574782 R	132,00	
	TH 20 S (PR-2B)**	Mini Z8	574788 R	132,00	
	TH 25 S (PR-2B)**	Mini Z8	574792 R	132,00	
	TH 32 S (PR-2B)**	Mini Z8	574798 R	146,00	
	U 16		578374	176,00	
	U 18		578376	176,00	
	U 20		578378	176,00	
	U 25		578380	176,00	
	U 32		578382	206,00	
	U 40		578386	251,00	
	steeltrade Presssystem Edelstahl Kontur M	M 15		578312	156,00
M 18 ¹⁾			578314	156,00	
M 22			578316	156,00	
M 28 ¹⁾			578318	156,00	
M 35			578390	189,00	
M 15 S (PR-2B)		Mini Z8	574738 R	132,00	
M 18 S (PR-2B)		Mini Z8	574740 R	132,00	
M 22 S (PR-2B)	Mini Z8	574742 R	132,00		
M 28 S (PR-2B)	Mini Z8	574744 R	132,00		
M 35 S (PR-2B)	Mini Z8	574746 R	146,00		
STELBI Polikraft	H 16		578400	170,00	
	H 20		578406	170,00	
	H 26		578410	170,00	
	TH 16		578352 R	188,00	
	TH 20		578358 R	188,00	
	TH 26		578362 R	188,00	
	TH 32		578364	188,00	
	TH 40		578624	249,00	
	TH 16 S (PR-2B)**	Mini Z8	574782 R	132,00	
	TH 20 S (PR-2B)**	Mini Z8	574788 R	132,00	
	TH 26 S (PR-2B)**	Mini Z8	574794 R	132,00	
	TH 32 S (PR-2B)**	Mini Z8	574798 R	146,00	
	U 16		578374	176,00	
	U 20		578378	176,00	
	U 26 ²⁾		578392	206,00	
	STELBI Stelgas	TH 16		578352 R	188,00
		TH 20		578358 R	188,00
TH 26			578362 R	188,00	
TH 16 S (PR-2B)**		Mini Z8	574782 R	132,00	
TH 20 S (PR-2B)**		Mini Z8	574788 R	132,00	
TH 26 S (PR-2B)**	Mini Z8	574794 R	132,00		
STH Westco COPPER PRESS	M 15		578312	156,00	
	M 22		578316	156,00	
	M 28		578318	156,00	
	M 35		578390	189,00	
	M 15 S (PR-2B)	Mini Z8	574738 R	132,00	
	M 22 S (PR-2B)	Mini Z8	574742 R	132,00	
	M 28 S (PR-2B)	Mini Z8	574744 R	132,00	
M 35 S (PR-2B)	Mini Z8	574746 R	146,00		

T

TDM BRASS Serie 1600	H 16		578400	170,00
	H 18		578404	170,00
	H 20		578406	170,00
	H 25		578408	170,00
	H 26		578410	170,00
	H 32		578412	170,00
	TH 16		578352 R	188,00
	TH 18		578356	188,00
	TH 20		578358 R	188,00
	TH 25		578360	188,00
	TH 26		578362 R	188,00
	THL 32		578368	188,00
	TH 40		578624	249,00
	TH 16 S (PR-2B)**	Mini Z8	574782 R	132,00
	TH 18 S (PR-2B)**	Mini Z8	574786 R	132,00
	TH 20 S (PR-2B)**	Mini Z8	574788 R	132,00
	TH 25 S (PR-2B)**	Mini Z8	574792 R	132,00
	TH 26 S (PR-2B)**	Mini Z8	574794 R	132,00
	U 16		578374	176,00
	U 18		578376	176,00
	U 20		578378	176,00
	U 25		578380	176,00
	U 26 ²⁾		578392	206,00
U 32		578382	206,00	

System	Pressing tongs Mini/pressing rings	Drive with adapter tongs	Art.-No.	€
TDM BRASS Serie 2600	H 16		578400	170,00
	H 18		578404	170,00
	H 20		578406	170,00
	H 25		578408	170,00
	H 26		578410	170,00
	H 32		578412	170,00
	TH 16		578352 R	188,00
	TH 18		578356	188,00
	TH 20		578358 R	188,00
	TH 25		578360	188,00
	THL 26		578362 R	188,00
	THL 32		578368	188,00
	TH 16 S (PR-2B)**	Mini Z8	574782 R	132,00
	TH 18 S (PR-2B)**	Mini Z8	574786 R	132,00
	TH 20 S (PR-2B)**	Mini Z8	574788 R	132,00
	TH 25 S (PR-2B)**	Mini Z8	574792 R	132,00
	TH 26 S (PR-2B)**	Mini Z8	574794 R	132,00
	U 16		578374	176,00
	U 18		578376	176,00
	U 20		578378	176,00
	U 25		578380	176,00
	U 26 ²⁾		578392	206,00
	U 32		578382	206,00
TDM BRASS Serie 1700 gas	TH 16		578352 R	188,00
	TH 20		578358 R	188,00
	TH 26		578362 R	188,00
	THL 32		578368	188,00
	TH 16 S (PR-2B)**	Mini Z8	574782 R	132,00
	TH 20 S (PR-2B)**	Mini Z8	574788 R	132,00
	TH 26 S (PR-2B)**	Mini Z8	574794 R	132,00
TermoConcept TC-PRESS	Basic E01 ³⁾		578618	324,00
THERMOLUTZ	H 14		578398	170,00
	H 16		578400	170,00
	TH 20		578358 R	188,00
	TH 20 S (PR-2B)**	Mini Z8	574788 R	132,00
TE-SA TE-SA press serie 800	TH 14		578348	188,00
	TH 16		578352 R	188,00
THERMACOME ACOPEXALU	TH 18		578356	188,00
	TH 20		578358 R	188,00
	TH 26		578362 R	188,00
	TH 32		578364	188,00
	TH 40		578624	249,00
	TH 14 S (PR-2B)**	Mini Z8	574778 R	132,00
	TH 16 S (PR-2B)**	Mini Z8	574782 R	132,00
	TH 18 S (PR-2B)**	Mini Z8	574786 R	132,00
	TH 20 S (PR-2B)**	Mini Z8	574788 R	132,00
	TH 26 S (PR-2B)**	Mini Z8	574794 R	132,00
	TH 32 S (PR-2B)	Mini Z8	574798 R	146,00
TIEMME 1650 AL-COBRAPEX	H 16		578400	170,00
	H 20		578406	170,00
	H 26		578410	170,00
	H 32		578412	170,00
	TH 16		578352 R	188,00
	TH 20		578358 R	188,00
	TH 26		578362 R	188,00
	TH 32		578364	188,00
	U 16		578374	176,00
	U 20		578378	176,00
	U 32		578382	206,00
TIEMME 1700 COBRAPEX	TH 14		578348	188,00
	TH 16		578352 R	188,00
	TH 18		578356	188,00
	TH 20		578358 R	188,00
	TH 25		578360	188,00
	TH 26		578362 R	188,00
	THL 32		578368	188,00
	TH 40		578624	249,00
	TH 14 S (PR-2B)**	Mini Z8	574778 R	132,00
	TH 16 S (PR-2B)**	Mini Z8	574782 R	132,00
	TH 18 S (PR-2B)**	Mini Z8	574786 R	132,00
TH 20 S (PR-2B)**	Mini Z8	574788 R	132,00	
TH 25 S (PR-2B)**	Mini Z8	574792 R	132,00	
TH 26 S (PR-2B)**	Mini Z8	574794 R	132,00	
RFz 12		578490	196,00	
RFz 16		578492	196,00	
RFz 20		578494	196,00	
RFz 25		578496	196,00	
RFz 32		578498	196,00	
TH 40		578624	249,00	

Pressfitting systems for gas installations may only be pressed with the pressing tongs Mini which are highlighted in yellow in the table.

Observe the national regulations. Read and observe the system provider's/manufacturer's instructions for use and assembly instructions.

** Can also be driven by the ROLLER'S Easy-Press manual radial press using the Z8 adapter tongs, see page 90. Observe the national regulations.

¹⁾ Only pressing tongs from designation "108" (1st quarter of 2008), "208" (2nd quarter of 2008) etc. can be used. The designation is stamped on every pressing jaw.

²⁾ For accommodating suitable pressing inserts.

³⁾ Only pressing tongs from designation "117" (1st quarter of 201), "217" (2nd quarter of 2017) etc. can be used. The designation is stamped on every pressing jaw.

⁴⁾ For pipes with the EN technical standard. Observe the system provider's/manufacturer's instructions for use.

⁵⁾ Only use Mini pressing tongs identified by "VMP 1/2" G" on the pressing jaws for gas installations.

⁷⁾ Previous designation: Mini C 26 pressing tongs

⁹⁾ For pipes with the ASTM technical standard. Observe the system provider's/manufacturer's instructions for use.

Suitability of the ROLLER'S pressing tools for pressfitting systems: Status 27.10.2023. The current status can be found on the Internet:

www.albert-roller.de → Downloads → Product Catalogues, Brochures → ROLLER Catalogue.

See page 79 for adapter tongs. Pressing tongs/pressing rings for other press fitting systems on request.

System	Pressing tongs Mini/pressing rings	Drive with adapter tongs	Art.-No.	€
TIEMME	TH 16		578352 R	188,00
1650 AL-COBRAPEX	TH 20		578358 R	188,00
GAS	TH 26		578362 R	188,00
	THL 32		578368	188,00
	TH 16 S (PR-2B)**	Mini Z8	574782 R	132,00
	TH 20 S (PR-2B)**	Mini Z8	574788 R	132,00
	TH 26 S (PR-2B)**	Mini Z8	574794 R	132,00
TIGRE	TH 16		578352 R	188,00
ALPEX GAS	TH 20		578358 R	188,00
	TH 26		578362 R	188,00
	TH 32		578364	188,00
TKM	TH 14		578348	188,00
Systemtechnik	TH 16		578352 R	188,00
	TH 20		578358 R	188,00
	TH 26		578362 R	188,00
	TH 32		578364	188,00
	TH 40		578624	249,00
TRA Multi TRA+	H 16		578400	170,00
	H 20		578406	170,00
	H 25		578408	170,00
	H 26		578410	170,00
	H 32		578412	170,00
	TH 16		578352 R	188,00
	TH 20		578358 R	188,00
	TH 25		578360	188,00
	TH 26		578362 R	188,00
	TH 32		578364	188,00
	TH 40		578624	249,00
	TH 16 S (PR-2B)**	Mini Z8	574782 R	132,00
	TH 20 S (PR-2B)**	Mini Z8	574788 R	132,00
	TH 25 S (PR-2B)**	Mini Z8	574792 R	132,00
	TH 26 S (PR-2B)**	Mini Z8	574794 R	132,00
	TH 32 S (PR-2B)	Mini Z8	574798 R	146,00
	U 16		578374	176,00
	U 20		578378	176,00
	U 25		578380	176,00
	U 26 ⁷⁾		578392	206,00
	U 32		578382	206,00
	U 40		578386	251,00
TRAMULTITRAPRESS	U 16		578374	176,00
	U 18		578376	176,00
	U 20		578378	176,00
	U 25		578380	176,00
	U 32		578382	206,00
	U 40		578386	251,00
TRA TRAPRESS	H 12		578396	170,00
	H 16		578400	170,00
	H 20		578406	170,00
	H 25		578408	170,00
	H 32		578412	170,00
	RFz 12		578490	196,00
	RFz 16		578492	196,00
	RFz 20		578494	196,00
	RFz 25		578496	196,00
	RFz 32		578498	196,00
Tradelink	K16/P18		578592	196,00
TradePex Crimp	K20		578594	196,00
Water	K25		578596	196,00
	K32		578598	196,00
	K1/40		578600	196,00
Tradelink	K16/P18		578592	196,00
TradePex Crimp	K20		578594	196,00
Gas	K25		578596	196,00
	K32		578598	196,00
	K1/40		578600	196,00
TUBIPLAST ITALY	H 16		578400	170,00
MULTILAYER PIPE	H 18		578404	170,00
	H 20		578406	170,00
	H 26		578410	170,00
	H 32		578412	170,00
	TH 16		578352 R	188,00
	TH 18		578356	188,00
	TH 20		578358 R	188,00
	TH 26		578362 R	188,00
	TH 32		578364	188,00
	TH 40		578624	249,00
	TH 16 S (PR-2B)**	Mini Z8	574782 R	132,00
	TH 18 S (PR-2B)**	Mini Z8	574786 R	132,00
	TH 20 S (PR-2B)**	Mini Z8	574788 R	132,00
	TH 26 S (PR-2B)**	Mini Z8	574794 R	132,00
	TH 32 S (PR-2B)	Mini Z8	574798 R	146,00
	U 16		578374	176,00
	U 18		578376	176,00
	U 20		578378	176,00
	U 26 ⁷⁾		578392	206,00
	U 32		578382	206,00
TUBIPLAST ITALY	TH 16		578352 R	188,00
MULTILAYER PIPE	TH 18		578356	188,00
GAS SYSTEM	TH 20		578358 R	188,00
	TH 26		578362 R	188,00
	TH 32		578364	188,00
	TH 16 S (PR-2B)**	Mini Z8	574782 R	132,00
	TH 18 S (PR-2B)**	Mini Z8	574786 R	132,00
	TH 20 S (PR-2B)**	Mini Z8	574788 R	132,00
	TH 26 S (PR-2B)**	Mini Z8	574794 R	132,00
	TH 32 S (PR-2B)	Mini Z8	574798 R	146,00

System	Pressing tongs Mini/pressing rings	Drive with adapter tongs	Art.-No.	€
TWEETOP	U 16		578374	176,00
	U 20		578378	176,00
	U 25		578380	176,00
	U 32		578382	206,00
	U 40		578386	251,00
U				
UNICALAG	U 16		578374	176,00
MAX-MULTIPEX	U 20		578378	176,00
	H 26		578410	170,00
	U 26 ⁷⁾		578392	206,00
	U 32		578382	206,00
UNIDELTA	TH 16		578352 R	188,00
DELTAPRESS	TH 20		578358 R	188,00
	TH 26		578362 R	188,00
	TH 32		578364	188,00
	TH 40		578624	249,00
	TH 16 S (PR-2B)**	Mini Z8	574782 R	132,00
	TH 20 S (PR-2B)**	Mini Z8	574788 R	132,00
	TH 26 S (PR-2B)**	Mini Z8	574794 R	132,00
	TH 32 S (PR-2B)	Mini Z8	574798 R	146,00
	H 16		578400	170,00
	H 20		578406	170,00
	H 26		578410	170,00
	H 32		578412	170,00
	U 16		578374	176,00
	U 20		578378	176,00
	U 32		578382	206,00
	U 40		578386	251,00
UNIDELTA	TH 16		578352 R	188,00
DELTAPRESS GAS	TH 20		578358 R	188,00
	TH 26		578362 R	188,00
	TH 32		578364	188,00
	TH 16 S (PR-2B)**	Mini Z8	574782 R	132,00
	TH 20 S (PR-2B)**	Mini Z8	574788 R	132,00
	TH 26 S (PR-2B)**	Mini Z8	574794 R	132,00
	TH 32 S (PR-2B)	Mini Z8	574798 R	146,00
	H 16		578400	170,00
	H 20		578406	170,00
	H 26		578410	170,00
	H 32		578412	170,00
	U 16		578374	176,00
	U 20		578378	176,00
	U 32		578382	206,00
Uponor	UP 14		578576	176,00
	UP 16		578578	176,00
	UP 20		578582	176,00
	UP 25		578584	176,00
	UP 32		578586	206,00
	U 40		578386	251,00
V				
Valsir Bravopress	B 16		578468	205,00
	B 20		578472	205,00
	B 26		578474	226,00
	B 32		578476	226,00
	F 16		578456	179,00
	F 20		578460	179,00
	F 26		578462	194,00
	F 16 S (PR-2B)**	Mini Z8	574728 R	132,00
	F 20 S (PR-2B)**	Mini Z8	574730 R	132,00
	F 26 S (PR-2B)**	Mini Z8	574732 R	132,00
	H 16		578400	170,00
	H 20		578406	170,00
	H 26		578410	170,00
	H 32		578412	170,00
	H 32 V		578602	217,00
	TH 16		578352 R	188,00
	TH 20		578358 R	188,00
	TH 26		578362 R	188,00
	TH 32		578364	188,00
	U 16		578374	176,00
	U 20		578378	176,00
	U 26 ⁷⁾		578392	206,00
	U 32		578382	206,00
Valsir PEXAL	H 14		578398	170,00
	H 16		578400	170,00
	H 20		578406	170,00
	H 26		578410	170,00
	H 32		578412	170,00
	H 32 V		578602	217,00
	TH 16		578352 R	188,00
	TH 20		578358 R	188,00
	TH 26		578362 R	188,00
	TH 32		578364	188,00
	U 16		578374	176,00
	U 20		578378	176,00
	U 26 ⁷⁾		578392	206,00
	U 32		578382	206,00

System	Pressing tongs Mini/pressing rings	Drive with adapter tongs	Art.-No.	€	System	Pressing tongs Mini/pressing rings	Drive with adapter tongs	Art.-No.	€	
Van Marcke NV SYSTEMPEX	TH 16		578352 R	188,00	Viega MegaPress 316 FKM (ASTM) ⁹⁾	VMP ½" G (OD 21,3 mm)		578666 R	217,00	
	TH 20		578358 R	188,00		VMPz ¾" (OD 26,9 mm)		578664	217,00	
	TH 26		578362 R	188,00					182,50	
	TH 32		578364	188,00		Viega MegaPress CuNi (ASTM) ⁹⁾	VMP ½" G (OD 21,3 mm)		578666 R	217,00
	TH 40		578624	249,00			VMPz ¾" (OD 26,9 mm)		578664	217,00
	TH 16 S (PR-2B)**	Mini Z8	574782 R	132,00		Viega MegaPress FKM (ASTM) ⁹⁾	VMP ½" G (OD 21,3 mm)		578666 R	217,00
	TH 20 S (PR-2B)**	Mini Z8	574788 R	132,00			VMPz ¾" (OD 26,9 mm)		578664	217,00
	TH 26 S (PR-2B)**	Mini Z8	574794 R	132,00		Viega MegaPress G (ASTM) ⁹⁾	VMP ½" G (OD 21,3 mm)		578666 R	217,00
	TH 32 S (PR-2B)	Mini Z8	574798 R	146,00			VMPz ¾" (OD 26,9 mm)		578664	217,00
	Van Marcke NV Tubipress	M 12		578310		156,00	Viega Megapress (EN) ⁴⁾	VMP ¾" (OD 17,2 mm)		578660
M 15			578312	156,00	VMP ½" G (OD 21,3 mm)			578666 R	217,00	
M 18			578314	156,00	Viega Megapress S (EN) ⁴⁾	VMPz ¾" (OD 26,9 mm)		578664	217,00	
M 22			578316	156,00		VMP ¾" (OD 17,2 mm)		578660	217,00	
M 28			578318	156,00	Viega Pexfit	VMP ½" G (OD 21,3 mm)		578666 R	217,00	
M 35			578390	189,00		VMPz ¾" (OD 26,9 mm)		578664	217,00	
M 12 S (PR-2B)		Mini Z8	574736 R	132,00	VX 16		578552	217,00		
M 15 S (PR-2B)		Mini Z8	574738 R	132,00	VX 20		578554	217,00		
M 18 S (PR-2B)		Mini Z8	574740 R	132,00	VX 25		578556	217,00		
M 22 S (PR-2B)		Mini Z8	574742 R	132,00	Viega Pexfit G	VX 16		578552	217,00	
M 28 S (PR-2B)		Mini Z8	574744 R	132,00		VX 20		578554	217,00	
M 35 S (PR-2B)		Mini Z8	574746 R	146,00		VX 25		578556	217,00	
Variotherm System TH		TH 11,6		578344	188,00	Viega Prestabo	V 12		578324	156,00
	TH 16		578352 R	188,00	V 15			578328	156,00	
	TH 20		578358 R	188,00	V 18			578332	156,00	
	TH 16 S (PR-2B)**	Mini Z8	574782 R	132,00	V 22			578334	156,00	
	TH 20 S (PR-2B)**	Mini Z8	574788 R	132,00	V 28			578336	156,00	
VESBO CARBON	M 15		578312	156,00	V 12 S (PR-2B)		Mini Z8	574748 R	132,00	
	M 18		578314	156,00		V 15 S (PR-2B)		Mini Z8	574752 R	132,00
	M 22		578316	156,00	V 18 S (PR-2B)		Mini Z8	574756 R	132,00	
	M 28		578318	156,00	V 22 S (PR-2B)		Mini Z8	574758 R	132,00	
	M 35		578390	189,00	V 28 S (PR-2B)		Mini Z8	574760 R	132,00	
	M 15 S (PR-2B)	Mini Z8	574738 R	132,00	Viega Profipress	V 12		578324	156,00	
	M 18 S (PR-2B)	Mini Z8	574740 R	132,00		VG 14		578338	156,00	
	M 22 S (PR-2B)	Mini Z8	574742 R	132,00		V 15		578328	156,00	
	M 28 S (PR-2B)	Mini Z8	574744 R	132,00		VG 16		578340	156,00	
	M 35 S (PR-2B)	Mini Z8	574746 R	146,00		V 18		578332	156,00	
VESBO INOX	M 15		578312	156,00		V 22		578334	156,00	
	M 18		578314	156,00		V 28		578336	156,00	
	M 22		578316	156,00		V 35		578604	189,00	
	M 28		578318	156,00		V 12 S (PR-2B)		Mini Z8	574748 R	132,00
	M 35		578390	189,00		VG 14 S (PR-2B)		Mini Z8	574750 R	132,00
	M 15 S (PR-2B)	Mini Z8	574738 R	132,00	V 15 S (PR-2B)		Mini Z8	574752 R	132,00	
	M 18 S (PR-2B)	Mini Z8	574740 R	132,00	VG 16 S (PR-2B)		Mini Z8	574754 R	132,00	
	M 22 S (PR-2B)	Mini Z8	574742 R	132,00	V 18 S (PR-2B)		Mini Z8	574756 R	132,00	
	M 28 S (PR-2B)	Mini Z8	574744 R	132,00	V 22 S (PR-2B)		Mini Z8	574758 R	132,00	
	M 35 S (PR-2B)	Mini Z8	574746 R	146,00	V 28 S (PR-2B)		Mini Z8	574760 R	132,00	
VESBO MULTIPRESS TH-U	TH 16		578352 R	188,00	V 35 S (PR-2B)		Mini Z8	574762 R	146,00	
	TH 20		578358 R	188,00	Viega Profipress G	V 12		578324	156,00	
	TH 26		578362 R	188,00		VG 14		578338	156,00	
	TH 32		578364	188,00		V 15		578328	156,00	
	TH 16 S (PR-2B)**	Mini Z8	574782 R	132,00		VG 16		578340	156,00	
	TH 20 S (PR-2B)**	Mini Z8	574788 R	132,00		V 18		578332	156,00	
	TH 26 S (PR-2B)**	Mini Z8	574794 R	132,00		V 22		578334	156,00	
	TH 32 S (PR-2B)	Mini Z8	574798 R	146,00		V 28		578336	156,00	
	U 16		578374	176,00		V 35		578604	189,00	
	U 20		578378	176,00		V 12 S (PR-2B)		Mini Z8	574748 R	132,00
	U 26 ⁷⁾		578392	206,00		VG 14 S (PR-2B)		Mini Z8	574750 R	132,00
	U 32		578382	206,00	V 15 S (PR-2B)		Mini Z8	574752 R	132,00	
	VESBO VPREMIUM	U 16		578374	176,00	VG 16 S (PR-2B)		Mini Z8	574754 R	132,00
U 20			578378	176,00	V 18 S (PR-2B)		Mini Z8	574756 R	132,00	
U 25			578380	176,00	V 22 S (PR-2B)		Mini Z8	574758 R	132,00	
U 32			578382	206,00	V 28 S (PR-2B)		Mini Z8	574760 R	132,00	
U 40			578386	251,00	V 35 S (PR-2B)		Mini Z8	574762 R	146,00	
Viega Fonterra	VX 12		578550	217,00	Viega Profipress S	V 12		578324	156,00	
	VP 14/15		578480	188,00		V 15		578328	156,00	
	VP 16/17		578482	188,00		V 18		578332	156,00	
	VP 20		578484	188,00		V 22		578334	156,00	
	VP 25		578486	188,00		V 28		578336	156,00	
Viega MegaPress (ASTM) ⁹⁾	VMP ½" G (OD 21,3 mm)		578666 R	217,00	V 35		578604	189,00		
	VMPz ¾" (OD 26,9 mm)		578664	217,00	V 12 S (PR-2B)		Mini Z8	574748 R	132,00	
Viega MegaPress 304 FKM (ASTM) ⁹⁾	VMP ½" G (OD 21,3 mm)		578666 R	217,00	V 15 S (PR-2B)		Mini Z8	574752 R	132,00	
	VMPz ¾" (OD 26,9 mm)		578664	217,00	V 18 S (PR-2B)		Mini Z8	574756 R	132,00	
Viega MegaPress 316 (ASTM) ⁹⁾	VMP ½" G (OD 21,3 mm)		578666 R	217,00	V 22 S (PR-2B)		Mini Z8	574758 R	132,00	
	VMPz ¾" (OD 26,9 mm)		578664	217,00	V 28 S (PR-2B)		Mini Z8	574760 R	132,00	
					V 35 S (PR-2B)		Mini Z8	574762 R	146,00	

Pressfitting systems for gas installations may only be pressed with the pressing tongs Mini which are highlighted in yellow in the table.

Observe the national regulations. Read and observe the system provider's/manufacturer's instructions for use and assembly instructions.

** Can also be driven by the ROLLER'S Easy-Press manual radial press using the Z8 adapter tongs, see page 90. Observe the national regulations.

¹⁾ Only pressing tongs from designation "108" (1st quarter of 2008), "208" (2nd quarter of 2008) etc. can be used. The designation is stamped on every pressing jaw.

²⁾ For accommodating suitable pressing inserts.

³⁾ Only pressing tongs from designation "117" (1st quarter of 201), "217" (2nd quarter of 2017) etc. can be used. The designation is stamped on every pressing jaw.

⁴⁾ For pipes with the EN technical standard. Observe the system provider's/manufacturer's instructions for use.

⁶⁾ Only use Mini pressing tongs identified by "VMP ½" G" on the pressing jaws for gas installations.

⁷⁾ Previous designation: Mini C 26 pressing tongs

⁹⁾ For pipes with the ASTM technical standard. Observe the system provider's/manufacturer's instructions for use.

Suitability of the ROLLER'S pressing tools for pressfitting systems: Status 27.10.2023. The current status can be found on the Internet: www.albert-roller.de → Downloads → Product Catalogues, Brochures → ROLLER Catalogue. See page 79 for adapter tongs. Pressing tongs/pressing rings for other press fitting systems on request.

System	Pressing tongs Mini/pressing rings	Drive with adapter tongs	Art.-No.	€
Viega	V 12		578324	156,00
Profipress Therm	V 15		578328	156,00
	V 18		578332	156,00
	V 22		578334	156,00
	V 12 S (PR-2B)	Mini Z8	574748 R	132,00
	V 15 S (PR-2B)	Mini Z8	574752 R	132,00
	V 18 S (PR-2B)	Mini Z8	574756 R	132,00
	V 22 S (PR-2B)	Mini Z8	574758 R	132,00
Viega ProPress (ASTM) ⁹	VUS ½" (OD 15,9 mm)		578566	189,00
	VUS ¾" (OD 22,2 mm)		578568	189,00
	VUS 1" (OD 28,6 mm)		578570	189,00
	VUS 1½" (OD 34,9 mm)		578606	189,00
	VUS ½" S (PR-2B) (OD 15,9 mm)	Mini Z8	574764 R	132,00
	VUS ¾" S (PR-2B) (OD 22,2 mm)	Mini Z8	574766 R	132,00
	VUS 1" S (PR-2B) (OD 28,6 mm)	Mini Z8	574768 R	132,00
	VUS 1½" S (PR-2B) (OD 34,9 mm)	Mini Z8	574770 R	132,00
Viega ProPress 304 FKM (ASTM) ⁹	VUS ½" (OD 15,9 mm)		578566	189,00
	VUS ¾" (OD 22,2 mm)		578568	189,00
	VUS 1" (OD 28,6 mm)		578570	189,00
	VUS 1½" (OD 34,9 mm)		578606	189,00
Viega ProPress 316 (ASTM) ⁹	VUS ½" (OD 15,9 mm)		578566	189,00
	VUS ¾" (OD 22,2 mm)		578568	189,00
	VUS 1" (OD 28,6 mm)		578570	189,00
	VUS 1½" (OD 34,9 mm)		578606	189,00
Viega Propress WATER System AUS	VAU 15 (OD 12,7 mm)		578630	161,00
	VAU 20 (OD 19,1 mm)		578632	161,00
	VAU 25 (OD 25,4 mm)		578634	161,00
	VAU 32 (OD 31,8 mm)		578636	170,00
	VAU 15 S (PR-2B) (OD 12,7 mm)	Mini Z8	574804 R	132,00
	VAU 20 S (PR-2B)** (OD 19,1 mm)	Mini Z8	574806 R	132,00
	VAU 25 S (PR-2B)** (OD 25,4 mm)	Mini Z8	574808 R	146,00
	VAU 32 S (PR-2B) (OD 31,8 mm)	Mini Z8	574856 R	146,00
Viega PropressG GAS System AUS	VAU 15 (OD 12,7 mm)		578630	161,00
	VAU 20 (OD 19,1 mm)		578632	161,00
	VAU 25 (OD 25,4 mm)		578634	161,00
	VAU 32 (OD 31,8 mm)		578636	170,00
Viega Raxinox	VRX 16		578640	198,00
	VRX 20		578642	198,00
Viega Raxofix	VRX 16		578640	198,00
	VRX 20		578642	198,00
	VRX 25		578644	217,00
	VRX 32		578646	217,00
Viega Sanfix	VP 16/17		578482	188,00
	VP 20		578484	188,00
	VP 25		578486	188,00
	VP 32		578488	207,00
Viega Sanfix Fosta	VP 16/17		578482	188,00
	VP 20		578484	188,00
	VP 25		578486	188,00
	VP 32		578488	207,00
Viega Sanpress	V 12		578324	156,00
	V 15		578328	156,00
	V 18		578332	156,00
	V 22		578334	156,00
	V 28		578336	156,00
	V 35		578604	189,00
	V 12 S (PR-2B)	Mini Z8	574748 R	132,00
	V 15 S (PR-2B)	Mini Z8	574752 R	132,00
	V 18 S (PR-2B)	Mini Z8	574756 R	132,00
	V 22 S (PR-2B)	Mini Z8	574758 R	132,00
	V 28 S (PR-2B)	Mini Z8	574760 R	132,00
	V 35 S (PR-2B)	Mini Z8	574762 R	146,00
Viega Sanpress Inox	V 15		578328	156,00
	V 18		578332	156,00
	V 22		578334	156,00
	V 28		578336	156,00
	V 35		578604	189,00
	V 15 S (PR-2B)	Mini Z8	574752 R	132,00
	V 18 S (PR-2B)	Mini Z8	574756 R	132,00
	V 22 S (PR-2B)	Mini Z8	574758 R	132,00
	V 28 S (PR-2B)	Mini Z8	574760 R	132,00
	V 35 S (PR-2B)	Mini Z8	574762 R	146,00
Viega Sanpress Inox G	V 15		578328	156,00
	V 18		578332	156,00
	V 22		578334	156,00
	V 28		578336	156,00
	V 35		578604	189,00
	V 15 S (PR-2B)	Mini Z8	574752 R	132,00
	V 18 S (PR-2B)	Mini Z8	574756 R	132,00
	V 22 S (PR-2B)	Mini Z8	574758 R	132,00
	V 28 S (PR-2B)	Mini Z8	574760 R	132,00
	V 35 S (PR-2B)	Mini Z8	574762 R	146,00
Viega Smartpress	VX 16		578552	217,00
	VX 20		578554	217,00
	VX 25		578556	217,00
Viega Temponox	V 15		578328	156,00
	V 18		578332	156,00
	V 22		578334	156,00
	V 28		578336	156,00
	V 35		578604	189,00
	V 15 S (PR-2B)	Mini Z8	574752 R	132,00
	V 18 S (PR-2B)	Mini Z8	574756 R	132,00
	V 22 S (PR-2B)	Mini Z8	574758 R	132,00
	V 28 S (PR-2B)	Mini Z8	574760 R	132,00
	V 35 S (PR-2B)	Mini Z8	574762 R	146,00

System	Pressing tongs Mini/pressing rings	Drive with adapter tongs	Art.-No.	€
Viessmann	TH 14		578348	188,00
	TH 16		578352 R	188,00
	TH 20		578358 R	188,00
	TH 26		578362 R	188,00
	TH 32		578364	188,00
Vogel & Noot EASYTEC	TH 16		578352 R	188,00
	TH 20		578358 R	188,00
	TH 26		578362 R	188,00
	TH 32		578364	188,00
	TH 40		578366	188,00
	TH 16 S (PR-2B)**	Mini Z8	574782 R	132,00
	TH 20 S (PR-2B)**	Mini Z8	574788 R	132,00
	TH 26 S (PR-2B)**	Mini Z8	574794 R	132,00
	TH 32 S (PR-2B)	Mini Z8	574798 R	146,00
VSH	> Aalberts integrated piping systems			

W

Watts MTR	TH 16		578352 R	188,00
Art press	TH 20		578358 R	188,00
	TH 26		578362 R	188,00
	TH 32		578364	188,00
WATTS	US ¾"		578534	214,00
RADIANT	US ½"		578536	214,00
Watts WaterPEX	US ¾"		578538	214,00
	US 1"		578540	214,00
WATTS	US ¾"		578534	214,00
RADIANT	US ½"		578536	214,00
Watts	US ¾"		578538	214,00
RadiantPEX	US 1"		578540	214,00
WATTS	U 16 (½")		578374	176,00
RADIANT	U 20 (¾")		578378	176,00
Watts	U 25 (¾")		578380	176,00
RadiantPEX-AL	U 32 (1")		578382	206,00
Wavin	B 16		578468	205,00
Tigris KS/M5	B 20		578472	205,00
	B 32		578476	226,00
	H 16		578400	170,00
	H 20		578406	170,00
	H 25		578408	170,00
	H 32		578412	170,00
	TH 16		578352 R	188,00
	TH 20		578358 R	188,00
	TH 25		578360	188,00
	TH 32		578364	188,00
	TH 40		578624	249,00
	TH 16 S (PR-2B)**	Mini Z8	574782 R	132,00
	TH 20 S (PR-2B)**	Mini Z8	574788 R	132,00
	TH 25 S (PR-2B)**	Mini Z8	574792 R	132,00
	TH 32 S (PR-2B)	Mini Z8	574798 R	146,00
	U 16		578374	176,00
	U 20		578378	176,00
	U 25		578380	176,00
	U 32		578382	206,00
	U 40		578386	251,00
	UP 16		578578	176,00
	UP 20		578582	176,00
	UP 25		578584	176,00
	UP 32		578586	206,00
WEECON	M 15		578312	156,00
PRESS-C-Stahl	M 18		578314	156,00
	M 22		578316	156,00
	M 28		578318	156,00
	M 35		578390	189,00
	M 15 S (PR-2B)	Mini Z8	574738 R	132,00
	M 18 S (PR-2B)	Mini Z8	574740 R	132,00
	M 22 S (PR-2B)	Mini Z8	574742 R	132,00
	M 28 S (PR-2B)	Mini Z8	574744 R	132,00
	M 35 S (PR-2B)	Mini Z8	574746 R	146,00
WEECON	M 15		578312	156,00
PRESS-Edelstahl	M 18		578314	156,00
	M 22		578316	156,00
	M 28		578318	156,00
	M 35		578390	189,00
	M 15 S (PR-2B)	Mini Z8	574738 R	132,00
	M 18 S (PR-2B)	Mini Z8	574740 R	132,00
	M 22 S (PR-2B)	Mini Z8	574742 R	132,00
	M 28 S (PR-2B)	Mini Z8	574744 R	132,00
	M 35 S (PR-2B)	Mini Z8	574746 R	146,00
WEECON	V 15		578328	156,00
PRESS-Kupfer	V 18		578332	156,00
	V 22		578334	156,00
	V 28		578336	156,00
	V 35		578604	189,00
	V 15 S (PR-2B)	Mini Z8	574752 R	132,00
	V 18 S (PR-2B)	Mini Z8	574756 R	132,00
	V 22 S (PR-2B)	Mini Z8	574758 R	132,00
	V 28 S (PR-2B)	Mini Z8	574760 R	132,00
	V 35 S (PR-2B)	Mini Z8	574762 R	146,00

System	Pressing tongs Mini/pressing rings	Drive with adapter tongs	Art.-No.	€
WEM	U 16		578374	176,00
WIELAND-WERKE cuprotherm CTX	TH 14		578348	188,00
	TH 16		578352 R	188,00
	TH 14 S (PR-2B)**	Mini Z8	574778 R	132,00
	TH 16 S (PR-2B)**	Mini Z8	574782 R	132,00
WKS-Press	TH 14		578348	188,00
	TH 16		578352 R	188,00
	TH 17		578354	188,00
	TH 20		578358 R	188,00
	TH 26		578362 R	188,00
	TH 32		578364	188,00
	TH 40		578624	249,00
WÜRTH Würth	TH 16		578352 R	188,00
	TH 20		578358 R	188,00
	TH 26		578362 R	188,00
	HE 32		578370 R	225,00

X

XtraConnect	F 16		578456	179,00
	F 20		578460	179,00
	F 26		578462	194,00
	F 32		578464	194,00
	F 16 S (PR-2B)**	Mini Z8	574728 R	132,00
	F 20 S (PR-2B)**	Mini Z8	574730 R	132,00
	F 26 S (PR-2B)**	Mini Z8	574732 R	132,00
	F 32 S (PR-2B)	Mini Z8	574734 R	146,00
	H 16		578400	170,00
	H 20		578406	170,00
	H 26		578410	170,00
	H 32		578412	170,00
	TH 16		578352 R	188,00
	TH 20		578358 R	188,00
	TH 26		578362 R	188,00
	TH 32		578364	188,00
	TH 16 S (PR-2B)**	Mini Z8	574782 R	132,00
	TH 20 S (PR-2B)**	Mini Z8	574788 R	132,00
	TH 26 S (PR-2B)**	Mini Z8	574794 R	132,00
	TH 32 S (PR-2B)	Mini Z8	574798 R	146,00
	U 16		578374	176,00
	U 20		578378	176,00
	(DN 26) U 25		578380	176,00
	U 32		578382	206,00
	VP 16		578482	188,00
	VP 20		578484	188,00
	VP 32		578488	207,00

Y

YX COPPER	Yz 16 UNI	578740	196,00
UNIPEX Water & Gas (AUS)	Yz 20 UNI	578742	196,00
	Yz 25 UNI	578744	196,00
	Yz 32 UNI	578746	196,00

System	Pressing tongs Mini/pressing rings	Drive with adapter tongs	Art.-No.	€
Z				
ZEWOTHERM Zewo Press Premium	TH 12		578346	188,00
	TH 16		578352 R	188,00
	TH 17		578354	188,00
	TH 18		578356	188,00
	TH 20		578358 R	188,00
	TH 26		578362 R	188,00
	TH 32		578364	188,00
	TH 40		578624	249,00
	TH 12 S (PR-2B)**	Mini Z8	574776 R	132,00
	TH 16 S (PR-2B)**		574782 R	132,00
	TH 17 S (PR-2B)**	Mini Z8	574784 R	132,00
	TH 18 S (PR-2B)**	Mini Z8	574786 R	132,00
	TH 20 S (PR-2B)**		574788 R	132,00
	TH 26 S (PR-2B)**		574794 R	132,00
TH 32 S (PR-2B)		574798 R	146,00	
ZEWOTHERM Zewo Press PPSU	TH 16		578352 R	188,00
	TH 20		578358 R	188,00
	TH 26		578362 R	188,00
	TH 32		578364	188,00
TH 16 S (PR-2B)**	Mini Z8	574782 R	132,00	
TH 20 S (PR-2B)**	Mini Z8	574788 R	132,00	
TH 26 S (PR-2B)**	Mini Z8	574794 R	132,00	
TH 32 S (PR-2B)	Mini Z8	574798 R	146,00	
ZURN	US ¾"		578534	214,00
INDUSTRIES	US ½"		578536	214,00
ZURN PEX	US ¾"		578538	214,00
	US 1"		578540	214,00

Pressfitting systems for gas installations may only be pressed with the pressing tongs Mini which are highlighted in yellow in the table.

Observe the national regulations. Read and observe the system provider's/manufacturer's instructions for use and assembly instructions.

** Can also be driven by the ROLLER'S Easy-Press manual radial press using the Z8 adapter tongs, see page 90. Observe the national regulations.

- ¹⁾ Only pressing tongs from designation "108" (1st quarter of 2008), "208" (2nd quarter of 2008) etc. can be used. The designation is stamped on every pressing jaw.
- ²⁾ For accommodating suitable pressing inserts.
- ³⁾ Only pressing tongs from designation "117" (1st quarter of 201), "217" (2nd quarter of 2017) etc. can be used. The designation is stamped on every pressing jaw.
- ⁴⁾ For pipes with the EN technical standard. Observe the system provider's/manufacturer's instructions for use.
- ⁶⁾ Only use Mini pressing tongs identified by "VMP ½" G" on the pressing jaws for gas installations.
- ⁷⁾ Previous designation: Mini C 26 pressing tongs
- ⁸⁾ For pipes with the ASTM technical standard. Observe the system provider's/manufacturer's instructions for use.

Suitability of the ROLLER'S pressing tools for pressfitting systems: Status 27.10.2023. The current status can be found on the Internet:

www.albert-roller.de → Downloads → Product Catalogues, Brochures → ROLLER Catalogue.

See page 79 for adapter tongs. Pressing tongs/pressing rings for other press fitting systems on request.



Accessories	Art.-No.	€
Adaptor tongs Mini Z8 for driving the ROLLER'S pressing rings S (PR-2B)	574700 R	153,00
Steel case with inlay for 8 pressing tongs Mini / cropping tongs Mini and shelf for pipe cutter up to Ø 42 mm	578295 A	103,00
Steel case with inlay for Mini Z8 adapter tongs and Z8 adapter tongs as well as 6 ROLLER'S pressing rings S (PR-2B)	574516 A	103,00
L-Boxx system case with inlay for 11 pressing tongs Mini / cropping tongs Mini and 6 pressing rings S (PR-2B)	578659 A	156,00
L-Boxx system case with inlay for Mini Z8 adapter tongs and Z8 adapter tongs as well as 14 ROLLER'S pressing rings S (PR-2B)	574704 A	156,00