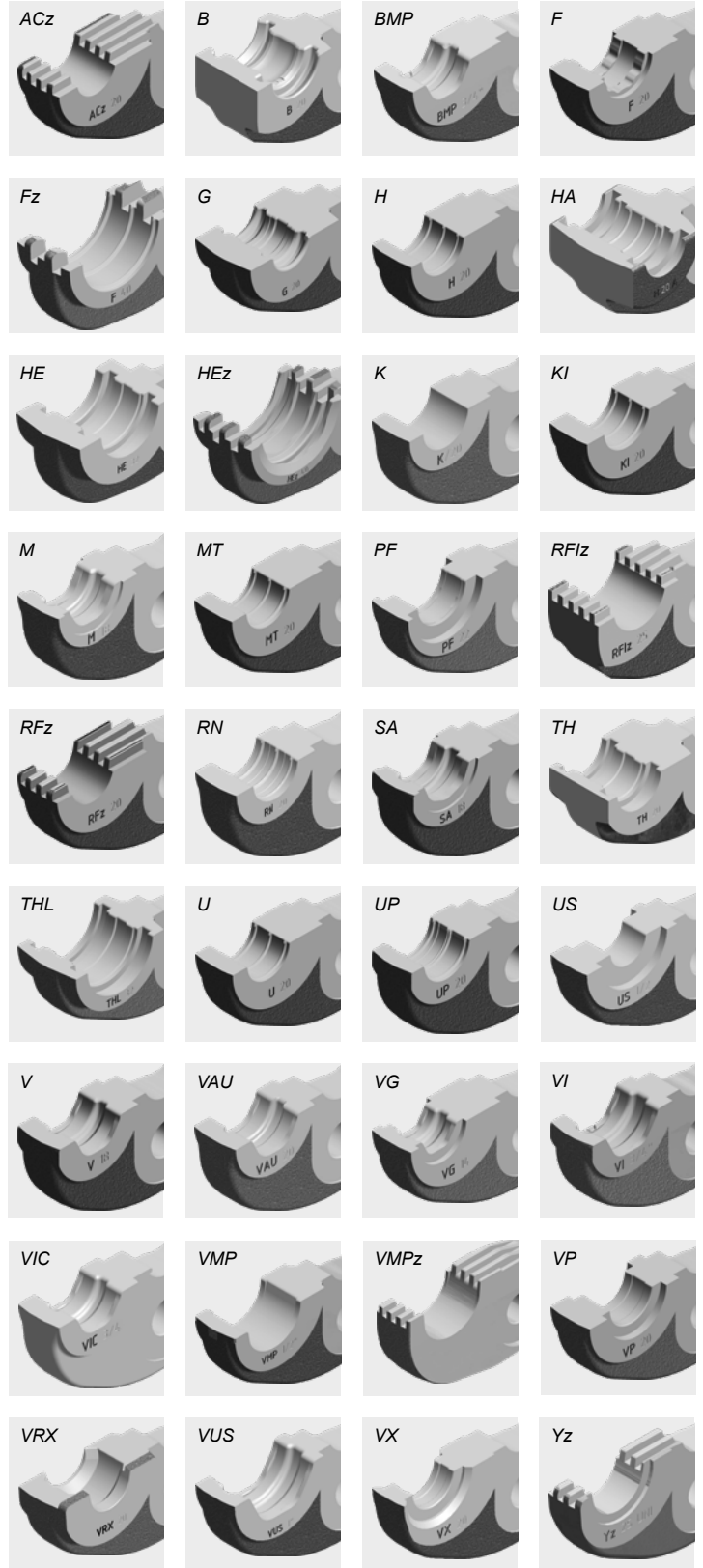


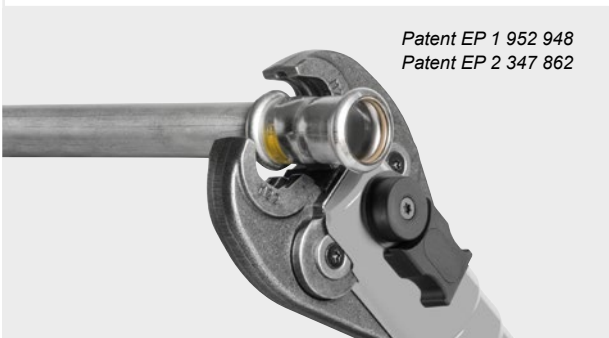
ROLLER'S *pressing tongs Mini* ROLLER'S *pressing rings*



German Top Quality



ROLLER'S Mini pressing tongs (2B)
with 2 tiltable monoblock pressing jaws.



Patent EP 1 952 948
Patent EP 2 347 862

ROLLER'S pressing tongs Mini ACz / Fz / HEz / RFz / RFlz
with teeth prevent burr formation on the pressing segments

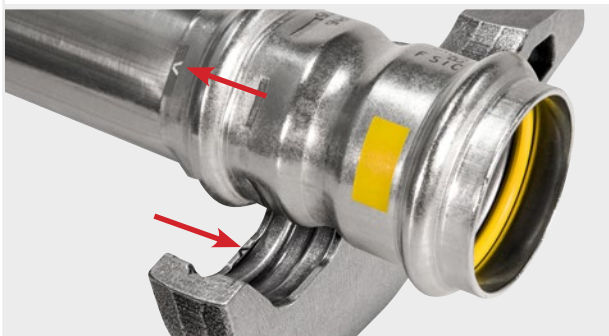


Patent EP 2 027 971

ROLLER'S pressing ring S (PR-2B), continuously swivelable for accurate positioning of the pressing jaws in places with difficult access.



Example: ROLLER'S Mini V pressing tongs: Impression "V"
on pressed fitting for traceability according to EN 1775:2007



Accessory for ROLLER'S 22 kN radial presses:

System-specific pressing tongs Mini / pressing rings for all common press fitting systems.

- Can be driven by all ROLLER'S 22 kN radial presses. Read and follow the instructions for use and assembly instructions of the system provider/ manufacturer.
- **Choose your own pressing tongs Mini / pressing rings!** Just select the desired pressfitting system and pressing tongs size / pressing ring size in the table on pages 60–89. Please note that pressfitting systems for gas installation may only be pressed with the pressing tongs Mini which are highlighted in yellow in the table.
- **ROLLER'S Mini pressing tongs (2B)**
Very compact design and low weight of the ROLLER'S Mini pressing tongs (2B) due to special arrangement of the pressing tongs connection (**Patent EP 1 952 948**).
Recesses in the pressing jaws for safe guidance of the connecting lugs for offset-free pressing (**Patent EP 2 347 862**).
ROLLER'S Mini ACz/Fz/HEz/RFz/RFlz pressing tongs with teeth prevent burr formation on the pressfitting (**Patent EP 2 027 971**).
- **ROLLER'S pressing ring S (PR-2B)**
Pressing ring S (PR-2B), with 2 pressing jaws, continuously swivelable for accurate positioning of the pressing jaws in places with difficult access. Adapter tongs required, see page 89. All pressing rings S (PR-2B) marked with ** can also be driven with the manual radial press ROLLER'S Easy-Press (page 90) using the adapter tong Z8.
- Precisely worked and exactly rounded, system-specific press contour according to the respective pressfitting system for perfectly system-conformant, reliable pressing.
- The pressing tongs / pressing rings are made from tenacious, specially hardened special steel and they are therefore highly resistant. For maximum quality demands and long life.
- Confirmations of suitability see page 52.
- SHK liability acceptance agreements see page 53.

Traceability according to EN 1775:2007.

- ROLLER'S pressing tongs Mini with press contour F, M, V, SA, B, RN and UP have worked a specific marking in the press contour which leaves a lasting impression directly on the pressed fitting after the pressing process. This enables the user to check again whether the most suitable pressing tongs Mini have been used to make the pressfit connection even after the pressing process.
- With this traceability ROLLER fulfils the recommendation of the European standard EN 1775:2007 for the installation of pressfitting systems for gas.

ROLLER'S pressing tongs Mini / pressing rings

Accessory for ROLLER'S 22kN radial presses

System	Pressing tongs Mini/pressing rings	Drive with adapter tongs	Art.-No.	€
A				
Aalberts integrated piping systems	U 14		578372	202,00
VSH MultiPress	U 16		578374	192,00
	U 20		578378	192,00
	U 25		578380	192,00
	U 32		578382	225,00
	U 40		578386	274,00
	TH 14		578348	205,00
	TH 16		578352 R	205,00
	TH 20		578358 R	205,00
	TH 25		578360	205,00
	TH 32		578364	205,00
	TH 40		578624	272,00
	TH 14 S (PR-2B)**	Mini Z8	574778 R	144,00
	TH 16 S (PR-2B)**	Mini Z8	574782 R	144,00
	TH 20 S (PR-2B)**	Mini Z8	574788 R	144,00
	TH 25 S (PR-2B)**	Mini Z8	574792 R	144,00
	TH 32 S (PR-2B)**	Mini Z8	574798 R	159,00
Aalberts integrated piping systems	U 16		578374	192,00
VSH MultiPress Gas	U 20		578378	192,00
	U 25		578380	192,00
	TH 16		578352 R	205,00
	TH 20		578358 R	205,00
	TH 16 S (PR-2B)**	Mini Z8	574782 R	144,00
	TH 20 S (PR-2B)**	Mini Z8	574788 R	144,00
Aalberts integrated piping systems	V 12		578324	170,00
VSH SudoPress Carbon	V 15		578328	170,00
	V 18		578332	170,00
	V 22		578334	170,00
	V 28		578336	170,00
	V 35		578604	206,00
	V 12 S (PR-2B)	Mini Z8	574748 R	144,00
	V 15 S (PR-2B)	Mini Z8	574752 R	144,00
	V 18 S (PR-2B)	Mini Z8	574756 R	144,00
	V 22 S (PR-2B)	Mini Z8	574758 R	144,00
	V 28 S (PR-2B)	Mini Z8	574760 R	144,00
	V 35 S (PR-2B)	Mini Z8	574762 R	159,00
Aalberts integrated piping systems	V 12		578324	170,00
VSH SudoPress Carbon	V 14		578326	170,00
	VG 14		578338	170,00
	V 15		578328	170,00
	V 16		578330	170,00
	VG 16		578340	170,00
	V 18		578332	170,00
	V 22		578334	170,00
	V 28		578336	170,00
	V 35		578604	206,00
	V 12 S (PR-2B)	Mini Z8	574748 R	144,00
	V 14 S (PR-2B)	Mini Z8	574800 R	144,00
	VG 14 S (PR-2B)	Mini Z8	574750 R	144,00
	V 15 S (PR-2B)	Mini Z8	574752 R	144,00
	V 16 S (PR-2B)	Mini Z8	574802 R	144,00
	VG 16 S (PR-2B)	Mini Z8	574754 R	144,00
	V 18 S (PR-2B)	Mini Z8	574756 R	144,00
	V 22 S (PR-2B)	Mini Z8	574758 R	144,00
	V 28 S (PR-2B)	Mini Z8	574760 R	144,00
	V 35 S (PR-2B)	Mini Z8	574762 R	159,00
Aalberts integrated piping systems	V 12		578324	170,00
VSH SudoPress Carbon	V 14		578326	170,00
Gas	VG 14		578338	170,00
	V 15		578328	170,00
	V 16		578330	170,00
	VG 16		578340	170,00
	V 18		578332	170,00
	V 22		578334	170,00
	V 28		578336	170,00
	V 35		578604	206,00
	V 12 S (PR-2B)	Mini Z8	574748 R	144,00
	V 14 S (PR-2B)	Mini Z8	574800 R	144,00
	VG 14 S (PR-2B)	Mini Z8	574750 R	144,00
	V 15 S (PR-2B)	Mini Z8	574752 R	144,00
	V 16 S (PR-2B)	Mini Z8	574802 R	144,00
	VG 16 S (PR-2B)	Mini Z8	574754 R	144,00
	V 18 S (PR-2B)	Mini Z8	574756 R	144,00
	V 22 S (PR-2B)	Mini Z8	574758 R	144,00
	V 28 S (PR-2B)	Mini Z8	574760 R	144,00
	V 35 S (PR-2B)	Mini Z8	574762 R	159,00
Aalberts integrated piping systems	V 15		578328	170,00
VSH SudoPress Stainless	V 18		578332	170,00
	V 22		578334	170,00
	V 28		578336	170,00
	V 35		578604	206,00
	V 15 S (PR-2B)	Mini Z8	574752 R	144,00
	V 18 S (PR-2B)	Mini Z8	574756 R	144,00
	V 22 S (PR-2B)	Mini Z8	574758 R	144,00
	V 28 S (PR-2B)	Mini Z8	574760 R	144,00
	V 35 S (PR-2B)	Mini Z8	574762 R	159,00
Aalberts integrated piping systems	M 12		578310	170,00
VSH XPress Carbon	M 15		578312	170,00
	M 18 ⁰		578314	170,00
	M 22		578316	170,00
	M 28 ⁰		578318	170,00
	M 35		578390	206,00
	M 12 S (PR-2B)	Mini Z8	574736 R	144,00
	M 15 S (PR-2B)	Mini Z8	574738 R	144,00
	M 18 S (PR-2B)	Mini Z8	574740 R	144,00
	M 22 S (PR-2B)	Mini Z8	574742 R	144,00
	M 28 S (PR-2B)	Mini Z8	574744 R	144,00
	M 35 S (PR-2B)	Mini Z8	574746 R	159,00

System	Pressing tongs Mini/pressing rings	Drive with adapter tongs	Art.-No.	€
Aalberts integrated piping systems	M 12		578310	170,00
VSH XPress Copper	M 15		578312	170,00
	M 18 ⁰		578314	170,00
	M 22		578316	170,00
	M 28 ⁰		578318	170,00
	M 35		578390	206,00
	M 12 S (PR-2B)	Mini Z8	574736 R	144,00
	M 15 S (PR-2B)	Mini Z8	574738 R	144,00
	M 18 S (PR-2B)	Mini Z8	574740 R	144,00
	M 22 S (PR-2B)	Mini Z8	574742 R	144,00
	M 28 S (PR-2B)	Mini Z8	574744 R	144,00
	M 35 S (PR-2B)	Mini Z8	574746 R	159,00
Aalberts integrated piping systems	M 15		578312	170,00
VSH XPress Copper Gas	M 18 ⁰		578314	170,00
	M 22		578316	170,00
	M 28 ⁰		578318	170,00
	M 35		578390	206,00
	M 15 S (PR-2B)	Mini Z8	574738 R	144,00
	M 18 S (PR-2B)	Mini Z8	574740 R	144,00
	M 22 S (PR-2B)	Mini Z8	574742 R	144,00
	M 28 S (PR-2B)	Mini Z8	574744 R	144,00
	M 35 S (PR-2B)	Mini Z8	574746 R	159,00
Aalberts integrated piping systems	M 15		578312	170,00
VSH XPress Stainless	M 18 ⁰		578314	170,00
	M 22		578316	170,00
	M 28 ⁰		578318	170,00
	M 35		578390	206,00
	M 15 S (PR-2B)	Mini Z8	574738 R	144,00
	M 18 S (PR-2B)	Mini Z8	574740 R	144,00
	M 22 S (PR-2B)	Mini Z8	574742 R	144,00
	M 28 S (PR-2B)	Mini Z8	574744 R	144,00
	M 35 S (PR-2B)	Mini Z8	574746 R	159,00
Aalberts integrated piping systems	M 15		578312	170,00
VSH XPress Stainless Gas	M 18 ⁰		578314	170,00
	M 22		578316	170,00
	M 28 ⁰		578318	170,00
	M 35		578390	206,00
	M 15 S (PR-2B)	Mini Z8	574738 R	144,00
	M 18 S (PR-2B)	Mini Z8	574740 R	144,00
	M 22 S (PR-2B)	Mini Z8	574742 R	144,00
	M 28 S (PR-2B)	Mini Z8	574744 R	144,00
	M 35 S (PR-2B)	Mini Z8	574746 R	159,00
AC-FIX PRESS (Global Piping Systems)	H 12		578396	185,00
	H 16		578400	185,00
	H 20		578406	185,00
	H 25		578408	185,00
	H 32		578412	185,00
	RFz 12		578490	214,00
	RFz 16		578492	214,00
	RFz 20		578494	214,00
	RFz 25		578496	214,00
	RFz 32		578498	214,00
	U 16		578374	192,00
	U 20		578378	192,00
	U 25		578380	192,00
	U 32		578382	225,00
	VX 16		578552	236,00
	VX 20		578554	236,00
AC-FIX PRESS DUO (Global Piping Systems)	RFz 16		578492	214,00
	RFz 20		578494	214,00
	RFz 25		578496	214,00
	RFz 32		578498	214,00
	TH 16		578352 R	205,00
	TH 20		578358 R	205,00
	TH 25		578360	205,00
	TH 26		578362 R	205,00
	TH 32		578364	205,00
	TH 16 S (PR-2B)**	Mini Z8	574782 R	144,00
	TH 20 S (PR-2B)**	Mini Z8	574788 R	144,00
	TH 25 S (PR-2B)**	Mini Z8	574792 R	144,00
	TH 26 S (PR-2B)**	Mini Z8	574794 R	144,00
	TH 32 S (PR-2B)**	Mini Z8	574798 R	159,00
	U 16		578374	192,00
	U 20		578378	192,00
	U 25		578380	192,00
	U 32		578382	225,00
AC-FIX PRESS-MULTI (Global Piping Systems)	H 16		578400	185,00
	H 20		578406	185,00
	H 25		578408	185,00
	H 32		578412	185,00
	RFz 16		578492	214,00
	RFz 20		578494	214,00
	RFz 25		578496	214,00
	RFz 32		578498	214,00
	U 16		578374	192,00
	U 18		578376	192,00
	U 20		578378	192,00
	U 25		578380	192,00
	U 32		578382	225,00
ACOME MT	ACz 12		578608	214,00
	ACz 16		578610	214,00
	ACz 20		578612	214,00
	ACz 25		578614	214,00

System	Pressing tongs Mini/pressing rings	Drive with adapter tongs	Art.-No.	€	System	Pressing tongs Mini/pressing rings	Drive with adapter tongs	Art.-No.	€
AHLSSELL	M 12		578310	170,00	ALB	TH 16		578352 R	205,00
A-press	M 15		578312	170,00	Sistema Multicapa	TH 18		578356	205,00
elförzinkad M	M 18		578314	170,00	para calefacción y	TH 20		578358 R	205,00
	M 22		578316	170,00	sanitario	TH 26		578362 R	205,00
	M 28		578318	170,00		TH 32		578364	205,00
	M 35		578390	206,00		TH 40		578624	272,00
	M 12 S (PR-2B)	Mini Z8	574736 R	144,00		TH 16 S (PR-2B)**	Mini Z8	574782 R	144,00
	M 15 S (PR-2B)	Mini Z8	574738 R	144,00		TH 18 S (PR-2B)**	Mini Z8	574786 R	144,00
	M 18 S (PR-2B)	Mini Z8	574740 R	144,00		TH 20 S (PR-2B)**	Mini Z8	574788 R	144,00
	M 22 S (PR-2B)	Mini Z8	574742 R	144,00		TH 26 S (PR-2B)**	Mini Z8	574794 R	144,00
	M 28 S (PR-2B)	Mini Z8	574744 R	144,00		TH 32 S (PR-2B)	Mini Z8	574798 R	159,00
	M 35 S (PR-2B)	Mini Z8	574746 R	159,00		H 16		578400	185,00
AHLSSELL	V 12		578324	170,00		H 18		578404	185,00
A-press	V 15		578328	170,00		H 20		578406	185,00
elförzinkad V	V 18		578332	170,00		H 26		578410	185,00
	V 22		578334	170,00		H 32		578412	185,00
	V 28		578336	170,00		U 16		578374	192,00
	V 35		578604	206,00		U 18		578376	192,00
	V 12 S (PR-2B)	Mini Z8	574748 R	144,00		U 20		578378	192,00
	V 15 S (PR-2B)	Mini Z8	574752 R	144,00		U 26 ⁷⁾		578392	225,00
	V 18 S (PR-2B)	Mini Z8	574756 R	144,00		U 32		578382	225,00
	V 22 S (PR-2B)	Mini Z8	574758 R	144,00		U 40		578386	274,00
	V 28 S (PR-2B)	Mini Z8	574760 R	144,00	ALB	TH 16		578352 R	205,00
	V 35 S (PR-2B)	Mini Z8	574762 R	159,00	Sistema Multicapa	TH 20		578358 R	205,00
AHLSSELL	M 12		578310	170,00	para gas	TH 26		578362 R	205,00
A-press koppar M	M 15		578312	170,00		TH 32		578364	205,00
	M 18		578314	170,00		TH 16 S (PR-2B)**	Mini Z8	574782 R	144,00
	M 22		578316	170,00		TH 20 S (PR-2B)**	Mini Z8	574788 R	144,00
	M 28		578318	170,00		TH 26 S (PR-2B)**	Mini Z8	574794 R	144,00
	M 35		578390	206,00		TH 32 S (PR-2B)	Mini Z8	574798 R	159,00
	M 12 S (PR-2B)	Mini Z8	574736 R	144,00		H 16		578400	185,00
	M 15 S (PR-2B)	Mini Z8	574738 R	144,00		H 20		578406	185,00
	M 18 S (PR-2B)	Mini Z8	574740 R	144,00		H 26		578410	185,00
	M 22 S (PR-2B)	Mini Z8	574742 R	144,00		H 32		578412	185,00
	M 28 S (PR-2B)	Mini Z8	574744 R	144,00		U 16		578374	192,00
	M 35 S (PR-2B)	Mini Z8	574746 R	159,00		U 20		578378	192,00
AHLSSELL	V 12		578324	170,00		U 26 ⁷⁾		578392	225,00
A-press koppar V	V 15		578328	170,00		U 32		578382	225,00
	V 18		578332	170,00	ALTECH Altech	RFz 12		578490	214,00
	V 22		578334	170,00		RFz 16		578492	214,00
	V 28		578336	170,00		RFz 20		578494	214,00
	V 35		578604	206,00		RFz 25		578496	214,00
	V 12 S (PR-2B)	Mini Z8	574748 R	144,00	APE MULTYGAS	TH 16		578352 R	205,00
	V 15 S (PR-2B)	Mini Z8	574752 R	144,00	Serie AP Gas	TH 20		578358 R	205,00
	V 18 S (PR-2B)	Mini Z8	574756 R	144,00		TH 26		578362 R	205,00
	V 22 S (PR-2B)	Mini Z8	574758 R	144,00		TH 32		578364	205,00
	V 28 S (PR-2B)	Mini Z8	574760 R	144,00		TH 16 S (PR-2B)**	Mini Z8	574782 R	144,00
	V 35 S (PR-2B)	Mini Z8	574762 R	159,00		TH 20 S (PR-2B)**	Mini Z8	574788 R	144,00
AHLSSELL	M 15		578312	170,00		TH 26 S (PR-2B)**	Mini Z8	574794 R	144,00
A-press rostfritt	M 18		578314	170,00		TH 32 S (PR-2B)	Mini Z8	574798 R	159,00
	M 22		578316	170,00	APE Serie AP	B 16		578468	224,00
	M 28		578318	170,00		B 20		578472	224,00
	M 35		578390	206,00		B 26		578474	247,00
	M 15 S (PR-2B)	Mini Z8	574738 R	144,00		B 32		578476	247,00
	M 18 S (PR-2B)	Mini Z8	574740 R	144,00		H 16		578400	185,00
	M 22 S (PR-2B)	Mini Z8	574742 R	144,00		H 20		578406	185,00
	M 28 S (PR-2B)	Mini Z8	574744 R	144,00		H 26		578410	185,00
	M 35 S (PR-2B)	Mini Z8	574746 R	159,00		H 32		578412	185,00
AIRBEL	M 15		578312	170,00		TH 16		578352 R	205,00
PRESSCLIM	M 18		578314	170,00		TH 18		578356	205,00
	M 22		578316	170,00		TH 20		578358 R	205,00
	M 28		578318	170,00		TH 26		578362 R	205,00
	M 35		578390	206,00		TH 32		578364	205,00
	M 15 S (PR-2B)	Mini Z8	574738 R	144,00		TH 16 S (PR-2B)**	Mini Z8	574782 R	144,00
	M 18 S (PR-2B)	Mini Z8	574740 R	144,00		TH 18 S (PR-2B)**	Mini Z8	574786 R	144,00
	M 22 S (PR-2B)	Mini Z8	574742 R	144,00		TH 20 S (PR-2B)**	Mini Z8	574788 R	144,00
	M 28 S (PR-2B)	Mini Z8	574744 R	144,00		TH 26 S (PR-2B)**	Mini Z8	574794 R	144,00
	M 35 S (PR-2B)	Mini Z8	574746 R	159,00		TH 32 S (PR-2B)	Mini Z8	574798 R	159,00
AIRBEL	M 15		578312	170,00		U 16		578374	192,00
SERTINOX	M 18		578314	170,00		U 20		578378	192,00
	M 22		578316	170,00					
	M 28		578318	170,00					
	M 35		578390	206,00					
	M 15 S (PR-2B)	Mini Z8	574738 R	144,00					
	M 18 S (PR-2B)	Mini Z8	574740 R	144,00					
	M 22 S (PR-2B)	Mini Z8	574742 R	144,00					
	M 28 S (PR-2B)	Mini Z8	574744 R	144,00					
	M 35 S (PR-2B)	Mini Z8	574746 R	159,00					

Pressfitting systems for gas installations may only be pressed with the pressing tongs Mini which are highlighted in yellow in the table.

Observe the national regulations. Read and observe the system provider's/manufacture's instructions for use and assembly instructions.

** Can also be driven by the ROLLER'S Easy-Press manual radial press using the Z8 adapter tongs, see page 90. Observe the national regulations.

¹⁾ Only pressing tongs from designation "108" (1st quarter of 2008), "208" (2nd quarter of 2008) etc. can be used. The designation is stamped on every pressing jaw.

²⁾ For accommodating suitable pressing inserts.

³⁾ Only pressing tongs from designation "117" (1st quarter of 201), "217" (2nd quarter of 2017) etc. can be used. The designation is stamped on every pressing jaw.

⁴⁾ For pipes with the EN technical standard. Observe the system provider's/manufacture's instructions for use.

⁵⁾ Only use Mini pressing tongs identified by "VMP ½" G" on the pressing jaws for gas installations.

⁷⁾ Previous designation: Mini C 26 pressing tongs

⁹⁾ For pipes with the ASTM technical standard. Observe the system provider's/manufacture's instructions for use.

Suitability of the ROLLER'S pressing tools for pressfitting systems: Status 27.10.2023. The current status can be found on the Internet:

www.albert-roller.de → Downloads → Product Catalogues, Brochures → ROLLER Catalogue.

See page 79 for adapter tongs. Pressing tongs/pressing rings for other press fitting systems on request.

System	Pressing tongs Mini/pressing rings	Drive with adapter tongs	Art.-No.	€	System	Pressing tongs Mini/pressing rings	Drive with adapter tongs	Art.-No.	€	
APE Serie APL	H 16		578400	185,00	ASSOTHERM IPI-RAX Inox	M 15		578312	170,00	
	H 18		578404	185,00		M 18		578314	170,00	
	H 20		578406	185,00		M 22		578316	170,00	
	H 25		578408	185,00		M 28		578318	170,00	
	H 26		578410	185,00		M 35		578390	206,00	
	H 32		578412	185,00		M 15 S (PR-2B)	Mini Z8	574738 R	144,00	
	TH 16		578352 R	205,00		M 18 S (PR-2B)	Mini Z8	574740 R	144,00	
	TH 18		578356	205,00		M 22 S (PR-2B)	Mini Z8	574742 R	144,00	
	TH 20		578358 R	205,00		M 28 S (PR-2B)	Mini Z8	574744 R	144,00	
	TH 25		578360	205,00		M 35 S (PR-2B)	Mini Z8	574746 R	159,00	
	TH 26		578362 R	205,00		ASSOTHERM IPI-RAX Inox Gas	M 15		578312	170,00
	TH 32		578364	205,00			M 18		578314	170,00
	TH 16 S (PR-2B)**	Mini Z8	574782 R	144,00			M 22		578316	170,00
	TH 18 S (PR-2B)**	Mini Z8	574786 R	144,00			M 28		578318	170,00
	TH 20 S (PR-2B)**	Mini Z8	574788 R	144,00			M 35		578390	206,00
	TH 25 S (PR-2B)**	Mini Z8	574792 R	144,00			M 15 S (PR-2B)	Mini Z8	574738 R	144,00
	TH 26 S (PR-2B)**	Mini Z8	574794 R	144,00			M 18 S (PR-2B)	Mini Z8	574740 R	144,00
	TH 32 S (PR-2B)	Mini Z8	574798 R	159,00			M 22 S (PR-2B)	Mini Z8	574742 R	144,00
	U 16		578374	192,00			M 28 S (PR-2B)	Mini Z8	574744 R	144,00
	U 18		578376	192,00			M 35 S (PR-2B)	Mini Z8	574746 R	159,00
U 20		578378	192,00	ASSOTHERM IPM-Multistrato	H 16		578400	185,00		
AQUATECHNIK Press-fitting metal	H 16		578400		185,00	H 20		578406	185,00	
	H 20		578406		185,00	H 26		578410	185,00	
	H 26		578410		185,00	H 32		578412	185,00	
	H 32		578412		185,00	TH 16		578352 R	205,00	
	TH 16		578352 R		205,00	TH 20		578358 R	205,00	
	TH 20		578358 R		205,00	TH 26		578362 R	205,00	
	TH 26		578362 R		205,00	TH 32		578364	205,00	
	TH 32		578364		205,00	TH 16 S (PR-2B)**	Mini Z8	574782 R	144,00	
	TH 16 S (PR-2B)**	Mini Z8	574782 R		144,00	TH 20 S (PR-2B)**	Mini Z8	574788 R	144,00	
	TH 20 S (PR-2B)**	Mini Z8	574788 R	144,00	TH 26 S (PR-2B)**	Mini Z8	574794 R	144,00		
TH 26 S (PR-2B)**	Mini Z8	574794 R	144,00	TH 32 S (PR-2B)	Mini Z8	574798 R	159,00			
TH 32 S (PR-2B)	Mini Z8	574798 R	159,00	U 16		578374	192,00			
U 16		578374	192,00	U 20		578378	192,00			
U 20		578378	192,00	U 26 ⁷⁾		578392	225,00			
U 26 ⁷⁾		578392	225,00	U 32		578382	225,00			
U 32		578382	225,00	ASSOTHERM IPR-RRR Copper	M 15		578312	170,00		
AQUATECHNIK Universal	B 16		578468		224,00	M 18		578314	170,00	
	B 20		578472		224,00	M 22		578316	170,00	
	B 26		578474		247,00	M 28		578318	170,00	
	B 32		578476		247,00	M 35		578390	206,00	
	F 16		578456		195,00	M 15 S (PR-2B)	Mini Z8	574738 R	144,00	
	F 20		578460		195,00	M 18 S (PR-2B)	Mini Z8	574740 R	144,00	
	F 26		578462		211,00	M 22 S (PR-2B)	Mini Z8	574742 R	144,00	
	F 32		578464		211,00	M 28 S (PR-2B)	Mini Z8	574744 R	144,00	
	F 16 S (PR-2B)**	Mini Z8	574728 R		144,00	M 35 S (PR-2B)	Mini Z8	574746 R	159,00	
	F 20 S (PR-2B)**	Mini Z8	574730 R	144,00	ASSOTHERM IPR-RRR Copper Gas	M 15		578312	170,00	
F 26 S (PR-2B)**	Mini Z8	574732 R	144,00	M 18			578314	170,00		
F 32 S (PR-2B)	Mini Z8	574734 R	159,00	M 22			578316	170,00		
H 16		578400	185,00	M 28			578318	170,00		
H 20		578406	185,00	M 35			578390	206,00		
H 26		578410	185,00	M 15 S (PR-2B)		Mini Z8	574738 R	144,00		
H 32		578412	185,00	M 18 S (PR-2B)		Mini Z8	574740 R	144,00		
TH 16		578352 R	205,00	M 22 S (PR-2B)		Mini Z8	574742 R	144,00		
TH 20		578358 R	205,00	M 28 S (PR-2B)		Mini Z8	574744 R	144,00		
TH 26		578362 R	205,00	M 35 S (PR-2B)		Mini Z8	574746 R	159,00		
TH 32		578364	205,00	ASTM F 1807 (Fittings with Copper Crimp Ring for PEX tubing)	M 15		578534	233,00		
TH 16 S (PR-2B)**	Mini Z8	574782 R	144,00		M 18		578536	233,00		
TH 20 S (PR-2B)**	Mini Z8	574788 R	144,00		M 22		578538	233,00		
TH 26 S (PR-2B)**	Mini Z8	574794 R	144,00		M 28		578540	233,00		
TH 32 S (PR-2B)	Mini Z8	574798 R	159,00		ATUSA ITALIA INSTALPRESS CARBON STEEL PRESS FITTINGS	M 15		578312	170,00	
U 16		578374	192,00			M 18		578314	170,00	
U 20		578378	192,00			M 22		578316	170,00	
U 26 ⁷⁾		578392	225,00			M 28		578318	170,00	
U 32		578382	225,00			M 35		578390	206,00	
ARKA DUROsystem	H 16		578400			185,00	M 15 S (PR-2B)	Mini Z8	574738 R	144,00
	H 20		578406	185,00		M 18 S (PR-2B)	Mini Z8	574740 R	144,00	
	H 25		578408	185,00		M 22 S (PR-2B)	Mini Z8	574742 R	144,00	
	H 26		578410	185,00		M 28 S (PR-2B)	Mini Z8	574744 R	144,00	
	H 32		578412	185,00		M 35 S (PR-2B)	Mini Z8	574746 R	159,00	
	TH 16		578352 R	205,00	ATUSA ITALIA INSTALPRESS STAINLESS STEEL PRESS FITTINGS	M 15		578312	170,00	
	TH 20		578358 R	205,00		M 18		578314	170,00	
	TH 25		578360	205,00		M 22		578316	170,00	
	TH 26		578362 R	205,00		M 28		578318	170,00	
	TH 32		578364	205,00		M 35		578390	206,00	
TH 16 S (PR-2B)**	Mini Z8	574782 R	144,00	M 15 S (PR-2B)		Mini Z8	574738 R	144,00		
TH 20 S (PR-2B)**	Mini Z8	574788 R	144,00	M 18 S (PR-2B)		Mini Z8	574740 R	144,00		
TH 25 S (PR-2B)**	Mini Z8	574792 R	144,00	M 22 S (PR-2B)		Mini Z8	574742 R	144,00		
TH 26 S (PR-2B)**	Mini Z8	574794 R	144,00	M 28 S (PR-2B)		Mini Z8	574744 R	144,00		
TH 32 S (PR-2B)	Mini Z8	574798 R	159,00	M 35 S (PR-2B)		Mini Z8	574746 R	159,00		
U 16		578374	192,00	AUSTEC PEX-B, PEX-AL-PEX (AUS)	M 15		578352 R	205,00		
U 20		578378	192,00		TH 20		578358 R	205,00		
Aschl NIR	M 15		578312		170,00	TH 25		578360	205,00	
	M 18		578314		170,00	TH 32		578364	205,00	
	M 22		578316		170,00	U 16		578374	192,00	
	M 28		578318		170,00	U 20		578378	192,00	
	M 35		578390		206,00	U 25		578380	192,00	
	M 15 S (PR-2B)	Mini Z8	574738 R		144,00	U 32		578382	225,00	
	M 18 S (PR-2B)	Mini Z8	574740 R		144,00	AUSTEC PEX-AL-PEX GAS (AUS)	TH 16		578352 R	205,00
	M 22 S (PR-2B)	Mini Z8	574742 R		144,00		TH 20		578358 R	205,00
	M 28 S (PR-2B)	Mini Z8	574744 R	144,00	TH 25			578360	205,00	
	M 35 S (PR-2B)	Mini Z8	574746 R	159,00	TH 32			578364	205,00	
ASSOTHERM IPC-RAC Carbon Steel	M 15		578312	170,00	U 16			578374	192,00	
	M 18		578314	170,00	U 20			578378	192,00	
	M 22		578316	170,00	U 25			578380	192,00	
	M 28		578318	170,00	U 32			578382	225,00	
	M 35		578390	206,00	ASSOTHERM IPI-RAX Inox		M 15		578312	170,00
	M 15 S (PR-2B)	Mini Z8	574738 R	144,00			M 18		578314	170,00
	M 18 S (PR-2B)	Mini Z8	574740 R	144,00		M 22		578316	170,00	
	M 22 S (PR-2B)	Mini Z8	574742 R	144,00		M 28		578318	170,00	
	M 28 S (PR-2B)	Mini Z8	574744 R	144,00		M 35		578390	206,00	
	M 35 S (PR-2B)	Mini Z8	574746 R	159,00		M 15 S (PR-2B)	Mini Z8	574738 R	144,00	
ASSOTHERM IPM-Multistrato	H 16		578400	185,00		M 18 S (PR-2B)	Mini Z8	574740 R	144,00	
	H 20		578406	185,00		M 22 S (PR-2B)	Mini Z8	574742 R	144,00	
	H 26		578410	185,00		M 28 S (PR-2B)	Mini Z8	574744 R	144,00	
	H 32		578412	185,00		M 35 S (PR-2B)	Mini Z8	574746 R	159,00	
	TH 16		578352 R	205,00	ASSOTHERM IPR-RRR Copper	M 15		578312	170,00	
	TH 20		578358 R	205,00		M 18		578314	170,00	
	TH 26		578362 R	205,00		M 22		578316	170,00	
	TH 32		578364	205,00		M 28		578318	170,00	
	TH 16 S (PR-2B)**	Mini Z8	574782 R	144,00		M 35		578390	206,00	
	TH 20 S (PR-2B)**	Mini Z8	574788 R	144,00		M 15 S (PR-2B)	Mini Z8	574738 R	144,00	
TH 26 S (PR-2B)**	Mini Z8	574794 R	144,00	M 18 S (PR-2B)		Mini Z8	574740 R	144,00		
TH 32 S (PR-2B)	Mini Z8	574798 R	159,00	M 22 S (PR-2B)		Mini Z8	574742 R	144,00		
U 16		578374	192,00	M 28 S (PR-2B)		Mini Z8	574744 R	144,00		
U 20		578378	192,00	M 35 S (PR-2B)		Mini Z8	574746 R	159,00		
ASSOTHERM IPR-RRR Copper	M 15		578312	170,00	ASSOTHERM IPR-RRR Copper Gas	M 15		578312	170,00	
	M 18		578314	170,00		M 18		578314	170,00	
	M 22		578316	170,00		M 22		578316	170,00	
	M 28		578318	170,00		M 28		578318	170,00	
	M 35		578390	206,00		M 35		578390	206,00	
	M 15 S (PR-2B)	Mini Z8	574738 R	144,00		M 15 S (PR-2B)	Mini Z8	574738 R	144,00	
	M 18 S (PR-2B)	Mini Z8	574740 R	144,00		M 18 S (PR-2B)	Mini Z8	574740 R	144,00	
	M 22 S (PR-2B)	Mini Z8	574742 R	144,00		M 22 S (PR-2B)	Mini Z8	574742 R	144,00	
	M 28 S (PR-2B)	Mini Z8	574744 R	144,00		M 28 S (PR-2B)	Mini Z8	574744 R	144,00	
	M 35 S (PR-2B)	Mini Z8	574746 R	159,00		M 35 S (PR-2B)	Mini Z8	574746 R	159,00	

System	Pressing tongs Mini/pressing rings	Drive with adapter tongs	Art.-No.	€
Brass & Fittings	RFz 16		578492	214,00
PRESSMAN	RFz 18		578638	214,00
MultiPress	ACz 20		578612	214,00
	RFz 25		578496	214,00
	RFz 32		578498	214,00
Brass & Fittings	RFz 16		578492	214,00
PRESSMAN RetiPress	RFz 18		578638	214,00
	ACz 20		578612	214,00
	RFz 25		578496	214,00
	RFz 32		578498	214,00
BRASSTECH	B 16		578468	224,00
MULTIthermoSAN	B 20		578472	224,00
Brasspress	B 26		578474	247,00
	B 32		578476	247,00
	F 16		578456	195,00
	F 20		578460	195,00
	F 26		578462	211,00
	F 16 S (PR-2B)**	Mini Z8	574728 R	144,00
	F 20 S (PR-2B)**	Mini Z8	574730 R	144,00
	F 26 S (PR-2B)**	Mini Z8	574732 R	144,00
	H 16		578400	185,00
	H 18		578404	185,00
	H 20		578406	185,00
	H 26		578410	185,00
	TH 16		578352 R	205,00
	TH 18		578356	205,00
	TH 20		578358 R	205,00
	TH 26		578362 R	205,00
	TH 32		578364	205,00
	TH 40		578624	272,00
	TH 16 S (PR-2B)**	Mini Z8	574782 R	144,00
	TH 18 S (PR-2B)**	Mini Z8	574786 R	144,00
	TH 20 S (PR-2B)**	Mini Z8	574788 R	144,00
	TH 26 S (PR-2B)**	Mini Z8	574794 R	144,00
	TH 32 S (PR-2B)	Mini Z8	574798 R	159,00
	U 16		578374	192,00
	U 18		578376	192,00
	U 20		578378	192,00
	U 26 ⁷⁾		578392	225,00
	U 32		578382	225,00

C

Cello Products	VUS ½" (OD 15,9 mm)		578566	206,00
Press	VUS ¾" (OD 22,2 mm)		578568	206,00
	VUS 1" (OD 28,6 mm)		578570	206,00
	VUS 1¼" (OD 34,9 mm)		578606	206,00
CGR	H 16		578400	185,00
DYNAFLU	H 20		578406	185,00
multicouche	H 26		578410	185,00
	H 32		578412	185,00
	TH 16		578352 R	205,00
	TH 20		578358 R	205,00
	TH 26		578362 R	205,00
	TH 32		578364	205,00
	TH 40		578624	272,00
	TH 16 S (PR-2B)**	Mini Z8	574782 R	144,00
	TH 20 S (PR-2B)**	Mini Z8	574788 R	144,00
	TH 26 S (PR-2B)**	Mini Z8	574794 R	144,00
	TH 32 S (PR-2B)	Mini Z8	574798 R	159,00
	U 16		578374	192,00
	U 20		578378	192,00
	U 26 ⁷⁾		578392	225,00
	U 32		578382	225,00
	U 40		578386	274,00
CGR	H 12		578396	185,00
DYNAFLU	H 16		578400	185,00
PER	H 20		578406	185,00
	H 25		578408	185,00
	RFz 12		578490	214,00
	RFz 16		578492	214,00
	RFz 20		578494	214,00
	RFz 25		578496	214,00
CHIALI	TH 16		578352 R	205,00
CHIALIPEX	TH 20		578358 R	205,00
	TH 26		578362 R	205,00
	TH 32		578364	205,00
	TH 40		578624	272,00
Climatrix	H 16		578400	185,00
Climatrix Rhinopex	H 20		578406	185,00
	U 16		578374	192,00
	U 20		578378	192,00
	TH 14		578348	205,00
	TH 16		578352 R	205,00
	TH 18		578356	205,00
	TH 20		578358 R	205,00
	TH 26		578362 R	205,00
	TH 32		578364	205,00
	TH 16 S (PR-2B)**	Mini Z8	574782 R	144,00
	TH 20 S (PR-2B)**	Mini Z8	574788 R	144,00
	TH 26 S (PR-2B)**	Mini Z8	574794 R	144,00
	TH 32 S (PR-2B)	Mini Z8	574798 R	159,00

System	Pressing tongs Mini/pressing rings	Drive with adapter tongs	Art.-No.	€
Climatrix	TH 11,6		578344	205,00
Variotherm	TH 16		578352 R	205,00
System TH	TH 16 S (PR-2B)**	Mini Z8	574782 R	144,00
ClouSet	TH 16		578352 R	205,00
	TH 18		578356	205,00
	TH 20		578358 R	205,00
	TH 16 S (PR-2B)**	Mini Z8	574782 R	144,00
	TH 18 S (PR-2B)**	Mini Z8	574786 R	144,00
	TH 20 S (PR-2B)**	Mini Z8	574788 R	144,00
Comap	RFz 12		578490	214,00
PEX Press	RFz 16		578492	214,00
	RFz 20		578494	214,00
	RFz 25		578496	214,00
Comap	TH 14		578348	205,00
Multiskin	TH 16		578352 R	205,00
	TH 18		578356	205,00
	TH 20		578358 R	205,00
	TH 26		578362 R	205,00
	TH 32		578364	205,00
	THL 32		578368	205,00
	TH 40		578624	272,00
	TH 16 S (PR-2B)**	Mini Z8	574782 R	144,00
	TH 20 S (PR-2B)**	Mini Z8	574788 R	144,00
	TH 26 S (PR-2B)**	Mini Z8	574794 R	144,00
	TH 32 S (PR-2B)	Mini Z8	574798 R	159,00
	U 14		578372	202,00
	U 16		578374	192,00
	U 18		578376	192,00
	U 20		578378	192,00
	U 32		578382	225,00
	H 14		578398	185,00
	H 16		578400	185,00
	H 18		578404	185,00
	H 20		578406	185,00
	H 26		578410	185,00
	H 32		578412	185,00
Comap	TH 16		578352 R	205,00
Multiskin Gas	TH 20		578358 R	205,00
	TH 26		578362 R	205,00
	TH 32		578364	205,00
	THL 32		578368	205,00
	TH 16 S (PR-2B)**	Mini Z8	574782 R	144,00
	TH 20 S (PR-2B)**	Mini Z8	574788 R	144,00
	TH 26 S (PR-2B)**	Mini Z8	574794 R	144,00
	TH 32 S (PR-2B)	Mini Z8	574798 R	159,00
	U 16		578374	192,00
	U 20		578378	192,00
	U 32		578382	225,00
	H 16		578400	185,00
	H 20		578406	185,00
	H 26		578410	185,00
	H 32		578412	185,00
COMISA	TH 14		578348	205,00
Press System	TH 16		578352 R	205,00
	TH 18		578356	205,00
	TH 20		578358 R	205,00
	TH 25		578360	205,00
	TH 26		578362 R	205,00
	TH 32		578364	205,00
	TH 40		578624	272,00
	TH 14 S (PR-2B)**	Mini Z8	574778 R	144,00
	TH 16 S (PR-2B)**	Mini Z8	574782 R	144,00
	TH 18 S (PR-2B)**	Mini Z8	574786 R	144,00
	TH 20 S (PR-2B)**	Mini Z8	574788 R	144,00
	TH 25 S (PR-2B)**	Mini Z8	574792 R	144,00
	TH 26 S (PR-2B)**	Mini Z8	574794 R	144,00
	TH 32 S (PR-2B)	Mini Z8	574798 R	159,00
	H 14		578398	185,00
	H 16		578400	185,00
	H 18		578404	185,00
	H 20		578406	185,00
	H 26		578410	185,00
	H 32		578412	185,00
	B 14		578466	224,00
	B 16		578468	224,00
	B 18		578470	224,00
	B 20		578472	224,00
	B 26		578474	247,00
	B 32		578476	247,00
COMISA	TH 16		578352 R	205,00
Press System Gas	TH 20		578358 R	205,00
	TH 26		578362 R	205,00
	TH 32		578364	205,00
	TH 16 S (PR-2B)**	Mini Z8	574782 R	144,00
	TH 20 S (PR-2B)**	Mini Z8	574788 R	144,00
	TH 26 S (PR-2B)**	Mini Z8	574794 R	144,00
	TH 32 S (PR-2B)	Mini Z8	574798 R	159,00

System	Pressing tongs Mini/pressing rings	Drive with adapter tongs	Art.-No.	€	System	Pressing tongs Mini/pressing rings	Drive with adapter tongs	Art.-No.	€
CONEL	M 15		578312	170,00	Conex Bänninger	F 16		578456	195,00
CONNECT INOX	M 18		578314	170,00	>B< Flex	F 18		578458	195,00
	M 22		578316	170,00		F 20		578460	195,00
	V 15		578328	170,00		F 32		578464	211,00
	V 18		578332	170,00		F 16 S (PR-2B)**	Mini Z8	574728 R	144,00
	V 22		578334	170,00		F 20 S (PR-2B)**	Mini Z8	574730 R	144,00
CONEL	F 16		578456	195,00		F 32 S (PR-2B)	Mini Z8	574734 R	159,00
CONNECT	F 20		578460	195,00		H 16		578400	185,00
MULTI	F 26		578462	211,00		H 18		578404	185,00
	F 32		578464	211,00		H 20		578406	185,00
	F 16 S (PR-2B)**	Mini Z8	574728 R	144,00		H 25		578408	185,00
	F 20 S (PR-2B)**	Mini Z8	574730 R	144,00		H 32		578412	185,00
	F 26 S (PR-2B)**	Mini Z8	574732 R	144,00		RFz 16		578492	214,00
	F 32 S (PR-2B)**	Mini Z8	574734 R	159,00		RFz 18		578638	214,00
	H 16		578400	185,00		RFz 20		578494	214,00
	H 20		578406	185,00		RFz 25		578496	214,00
	H 26		578410	185,00		RFz 32		578498	214,00
	H 32		578412	185,00		TH 16		578352 R	205,00
	TH 16		578352 R	205,00		TH 18		578356	205,00
	TH 20		578358 R	205,00		TH 20		578358 R	205,00
	TH 26		578362 R	205,00		TH 25		578360	205,00
	TH 32		578364	205,00		TH 32		578364	205,00
	TH 16 S (PR-2B)**	Mini Z8	574782 R	144,00		TH 16 S (PR-2B)**	Mini Z8	574782 R	144,00
	TH 20 S (PR-2B)**	Mini Z8	574788 R	144,00		TH 18 S (PR-2B)**	Mini Z8	574786 R	144,00
	TH 26 S (PR-2B)**	Mini Z8	574794 R	144,00		TH 20 S (PR-2B)**	Mini Z8	574788 R	144,00
	TH 32 S (PR-2B)**	Mini Z8	574798 R	159,00		TH 32 S (PR-2B)	Mini Z8	574798 R	159,00
	U 16		578374	192,00		U 16		578374	192,00
	U 20		578378	192,00		U 18		578376	192,00
(DN 26)	U 25		578380	192,00		U 20		578378	192,00
	U 32		578382	225,00		U 25		578380	192,00
	VP 16		578482	204,00		U 32		578382	225,00
	VP 20		578484	204,00	Conex Bänninger	F 16		578456	195,00
	VP 32		578488	226,00	>B< Flex Gas	F 18		578458	195,00
CONEL	F 16		578456	195,00		F 20		578460	195,00
CONNECT	F 20		578460	195,00		F 32		578464	211,00
MV2	F 26		578462	211,00		F 16 S (PR-2B)**	Mini Z8	574728 R	144,00
	F 32		578464	211,00		F 20 S (PR-2B)**	Mini Z8	574730 R	144,00
	F 16 S (PR-2B)**	Mini Z8	574728 R	144,00		F 32 S (PR-2B)	Mini Z8	574734 R	159,00
	F 20 S (PR-2B)**	Mini Z8	574730 R	144,00		H 16		578400	185,00
	F 26 S (PR-2B)**	Mini Z8	574732 R	144,00		H 18		578404	185,00
	F 32 S (PR-2B)**	Mini Z8	574734 R	159,00		H 20		578406	185,00
	TH 16		578352 R	205,00		H 25		578408	185,00
	TH 20		578358 R	205,00		H 32		578412	185,00
	TH 26		578362 R	205,00		RFz 16		578492	214,00
	TH 32		578364	205,00		RFz 18		578638	214,00
	TH 16 S (PR-2B)**	Mini Z8	574782 R	144,00		RFz 20		578494	214,00
	TH 20 S (PR-2B)**	Mini Z8	574788 R	144,00		RFz 25		578496	214,00
	TH 26 S (PR-2B)**	Mini Z8	574794 R	144,00		RFz 32		578498	214,00
	TH 32 S (PR-2B)**	Mini Z8	574798 R	159,00		TH 16		578352 R	205,00
Conex Bänninger	M 15		578312	170,00		TH 18		578356	205,00
<A> Press Inox	M 18		578314	170,00		TH 20		578358 R	205,00
(304)	M 22		578316	170,00		TH 25		578360	205,00
	M 28		578318	170,00		TH 32		578364	205,00
	M 35		578390	206,00		TH 16 S (PR-2B)**	Mini Z8	574782 R	144,00
	M 15 S (PR-2B)	Mini Z8	574738 R	144,00		TH 18 S (PR-2B)**	Mini Z8	574786 R	144,00
	M 18 S (PR-2B)	Mini Z8	574740 R	144,00		TH 20 S (PR-2B)**	Mini Z8	574788 R	144,00
	M 22 S (PR-2B)	Mini Z8	574742 R	144,00		TH 32 S (PR-2B)	Mini Z8	574798 R	159,00
	M 28 S (PR-2B)	Mini Z8	574744 R	144,00		U 16		578374	192,00
	M 35 S (PR-2B)	Mini Z8	574746 R	159,00		U 18		578376	192,00
Conex Bänninger	M 15		578312	170,00		U 20		578378	192,00
<A> Press Inox	M 18		578314	170,00		U 25		578380	192,00
(316L)	M 22		578316	170,00		U 32		578382	225,00
	M 28		578318	170,00	Conex Bänninger	BMP ¼"		578700	203,00
	M 35		578390	206,00	>B< MaxiPro	BMP ⅜"		578702	203,00
	M 15 S (PR-2B)	Mini Z8	574738 R	144,00		BMP ½"		578704	203,00
	M 18 S (PR-2B)	Mini Z8	574740 R	144,00		BMP ⅝"		578706	203,00
	M 22 S (PR-2B)	Mini Z8	574742 R	144,00		BMP ¾"		578708	203,00
	M 28 S (PR-2B)	Mini Z8	574744 R	144,00		BMP 1"		578710	203,00
	M 35 S (PR-2B)	Mini Z8	574746 R	159,00		BMP 1 ¼"		578712	203,00
								578714	203,00

Pressfitting systems for gas installations may only be pressed with the pressing tongs Mini which are highlighted in yellow in the table.

Observe the national regulations. Read and observe the system provider's/manufacture's instructions for use and assembly instructions.

** Can also be driven by the ROLLER'S Easy-Press manual radial press using the Z8 adapter tongs, see page 90. Observe the national regulations.

1) Only pressing tongs from designation "108" (1st quarter of 2008), "208" (2nd quarter of 2008) etc. can be used. The designation is stamped on every pressing jaw.

2) For accommodating suitable pressing inserts.

3) Only pressing tongs from designation "117" (1st quarter of 201), "217" (2nd quarter of 2017) etc. can be used. The designation is stamped on every pressing jaw.

4) For pipes with the EN technical standard. Observe the system provider's/manufacture's instructions for use.

6) Only use Mini pressing tongs identified by "VMP ½" G" on the pressing jaws for gas installations.

7) Previous designation: Mini C 26 pressing tongs

9) For pipes with the ASTM technical standard. Observe the system provider's/manufacture's instructions for use.

Suitability of the ROLLER'S pressing tools for pressfitting systems: Status 27.10.2023. The current status can be found on the Internet:

www.albert-roller.de → Downloads → Product Catalogues, Brochures → ROLLER Catalogue.

See page 79 for adapter tongs. Pressing tongs/pressing rings for other press fitting systems on request.

System	Pressing tongs Mini/pressing rings	Drive with adapter tongs	Art.-No.	€	
Conex Bänninger >B< Press	V 12		578324	170,00	
	V 14		578326	170,00	
	V 15		578328	170,00	
	V 16		578330	170,00	
	V 18		578332	170,00	
	V 22		578334	170,00	
	V 28		578336	170,00	
	V 35		578604	206,00	
	V 12 S (PR-2B)	Mini Z8	574748 R	144,00	
	V 14 S (PR-2B)	Mini Z8	574800 R	144,00	
	V 15 S (PR-2B)	Mini Z8	574752 R	144,00	
	V 16 S (PR-2B)	Mini Z8	574802 R	144,00	
	V 18 S (PR-2B)	Mini Z8	574756 R	144,00	
	V 22 S (PR-2B)	Mini Z8	574758 R	144,00	
	V 28 S (PR-2B)	Mini Z8	574760 R	144,00	
	V 35 S (PR-2B)	Mini Z8	574762 R	159,00	
	M 15		578312	170,00	
	M 22		578316	170,00	
	M 28		578318	170,00	
	Conex Bänninger >B< Press Carbon	V 15		578328	170,00
V 18			578332	170,00	
V 22			578334	170,00	
V 28			578336	170,00	
V 35			578604	206,00	
V 15 S (PR-2B)		Mini Z8	574752 R	144,00	
V 18 S (PR-2B)		Mini Z8	574756 R	144,00	
V 22 S (PR-2B)		Mini Z8	574758 R	144,00	
V 28 S (PR-2B)		Mini Z8	574760 R	144,00	
V 35 S (PR-2B)		Mini Z8	574762 R	159,00	
Conex Bänninger >B< Press Gas		V 12		578324	170,00
		V 14		578326	170,00
		V 15		578328	170,00
		V 16		578330	170,00
	V 18		578332	170,00	
	V 22		578334	170,00	
	V 28		578336	170,00	
	V 35		578604	206,00	
	V 12 S (PR-2B)	Mini Z8	574748 R	144,00	
	V 14 S (PR-2B)	Mini Z8	574800 R	144,00	
	V 15 S (PR-2B)	Mini Z8	574752 R	144,00	
	V 16 S (PR-2B)	Mini Z8	574802 R	144,00	
	V 18 S (PR-2B)	Mini Z8	574756 R	144,00	
	V 22 S (PR-2B)	Mini Z8	574758 R	144,00	
V 28 S (PR-2B)	Mini Z8	574760 R	144,00		
V 35 S (PR-2B)	Mini Z8	574762 R	159,00		
Conex Bänninger >B< Press Inox	V 15		578328	170,00	
	V 18		578332	170,00	
	V 22		578334	170,00	
	V 28		578336	170,00	
	V 35		578604	206,00	
	V 15 S (PR-2B)	Mini Z8	574752 R	144,00	
	V 18 S (PR-2B)	Mini Z8	574756 R	144,00	
	V 22 S (PR-2B)	Mini Z8	574758 R	144,00	
	V 28 S (PR-2B)	Mini Z8	574760 R	144,00	
	V 35 S (PR-2B)	Mini Z8	574762 R	159,00	
	Conex Bänninger >B< Press Solar	V 12		578324	170,00
		V 14		578326	170,00
		V 15		578328	170,00
		V 16		578330	170,00
V 18			578332	170,00	
V 22			578334	170,00	
V 28			578336	170,00	
V 35			578604	206,00	
V 12 S (PR-2B)		Mini Z8	574748 R	144,00	
V 14 S (PR-2B)		Mini Z8	574800 R	144,00	
V 15 S (PR-2B)		Mini Z8	574752 R	144,00	
V 16 S (PR-2B)		Mini Z8	574802 R	144,00	
V 18 S (PR-2B)		Mini Z8	574756 R	144,00	
V 22 S (PR-2B)		Mini Z8	574758 R	144,00	
V 28 S (PR-2B)	Mini Z8	574760 R	144,00		
V 35 S (PR-2B)	Mini Z8	574762 R	159,00		
D					
Debrunner Acifer d-a Presssystem C-Stahl	M 12		578310	170,00	
	M 15		578312	170,00	
	M 18		578314	170,00	
	M 22		578316	170,00	
	M 28		578318	170,00	
	M 35		578390	206,00	
	M 12 S (PR-2B)	Mini Z8	574736 R	144,00	
	M 15 S (PR-2B)	Mini Z8	574738 R	144,00	
	M 18 S (PR-2B)	Mini Z8	574740 R	144,00	
	M 22 S (PR-2B)	Mini Z8	574742 R	144,00	
	M 28 S (PR-2B)	Mini Z8	574744 R	144,00	
	M 35 S (PR-2B)	Mini Z8	574746 R	159,00	
	DUOPIPE SYSTEMS	U 16		578374	192,00
		DUOFLI MKSYSTEM	U 18	578376	192,00
U 20			578378	192,00	
U 25			578380	192,00	
U 32			578382	225,00	
DW Verbundrohr multitubo systems	U 16		578374	192,00	
	U 18		578376	192,00	
	U 20		578378	192,00	
	U 25		578380	192,00	
	U 32		578382	225,00	

System	Pressing tongs Mini/pressing rings	Drive with adapter tongs	Art.-No.	€	
E					
EBRILLE Isomonflex	U 16		578374	192,00	
	U 20		578378	192,00	
	U 25		578380	192,00	
	U 32		578382	225,00	
	H 26		578410	185,00	
	TH 26		578362 R	205,00	
	TH 26 S (PR-2B)**	Mini Z8	574794 R	144,00	
EBRILLE Monflex	U 16		578374	192,00	
	U 20		578378	192,00	
	U 25		578380	192,00	
	U 32		578382	225,00	
	H 26		578410	185,00	
	TH 26		578362 R	205,00	
	TH 26 S (PR-2B)**	Mini Z8	574794 R	144,00	
EFFEBI	M 15		578312	170,00	
	EFFEBI-PRESS	M 18	578314	170,00	
		Aisi316	M 22	578316	170,00
	System M Profile ¹⁾	M 28	578318	170,00	
		M 35	578390	206,00	
		M 15 S (PR-2B)	Mini Z8	574738 R	144,00
		M 18 S (PR-2B)	Mini Z8	574740 R	144,00
		M 22 S (PR-2B)	Mini Z8	574742 R	144,00
		M 28 S (PR-2B)	Mini Z8	574744 R	144,00
		M 35 S (PR-2B)	Mini Z8	574746 R	159,00
EFFEBI	V 12		578324	170,00	
	EFFEBI-PRESS	V 15	578328	170,00	
		Aisi316	V 18	578332	170,00
	System V Profile	V 22	578334	170,00	
		V 28	578336	170,00	
		V 35	578604	206,00	
		V 12 S (PR-2B)	Mini Z8	574748 R	144,00
		V 15 S (PR-2B)	Mini Z8	574752 R	144,00
		V 18 S (PR-2B)	Mini Z8	574756 R	144,00
		V 22 S (PR-2B)	Mini Z8	574758 R	144,00
	V 28 S (PR-2B)	Mini Z8	574760 R	144,00	
	V 35 S (PR-2B)	Mini Z8	574762 R	159,00	
EFFEBI	M 12		578310	170,00	
	EFFEBI-PRESS	M 15	578312	170,00	
		Carbon-S	M 18	578314	170,00
	System M Profile ¹⁾	M 22	578316	170,00	
		M 28	578318	170,00	
		M 35	578390	206,00	
		M 12 S (PR-2B)	Mini Z8	574736 R	144,00
		M 15 S (PR-2B)	Mini Z8	574738 R	144,00
		M 18 S (PR-2B)	Mini Z8	574740 R	144,00
		M 22 S (PR-2B)	Mini Z8	574742 R	144,00
	M 28 S (PR-2B)	Mini Z8	574744 R	144,00	
	M 35 S (PR-2B)	Mini Z8	574746 R	159,00	
EFFEBI	V 12		578324	170,00	
	EFFEBI-PRESS	V 15	578328	170,00	
		Carbon-S	V 18	578332	170,00
	System V Profile	V 22	578334	170,00	
		V 28	578336	170,00	
		V 35	578604	206,00	
		V 12 S (PR-2B)	Mini Z8	574748 R	144,00
		V 15 S (PR-2B)	Mini Z8	574752 R	144,00
		V 18 S (PR-2B)	Mini Z8	574756 R	144,00
		V 22 S (PR-2B)	Mini Z8	574758 R	144,00
	V 28 S (PR-2B)	Mini Z8	574760 R	144,00	
	V 35 S (PR-2B)	Mini Z8	574762 R	159,00	
EFFEBI	V 12		578324	170,00	
	EFFEBI-PRESS	V 14	578326	170,00	
		COPPER	V 15	578328	170,00
		V 16	578330	170,00	
		V 18	578332	170,00	
		V 22	578334	170,00	
		V 28	578336	170,00	
		V 35	578604	206,00	
		V 12 S (PR-2B)	Mini Z8	574748 R	144,00
		V 14 S (PR-2B)	Mini Z8	574800 R	144,00
	V 15 S (PR-2B)	Mini Z8	574752 R	144,00	
	V 16 S (PR-2B)	Mini Z8	574802 R	144,00	
	V 18 S (PR-2B)	Mini Z8	574756 R	144,00	
	V 22 S (PR-2B)	Mini Z8	574758 R	144,00	
	V 28 S (PR-2B)	Mini Z8	574760 R	144,00	
	V 35 S (PR-2B)	Mini Z8	574762 R	159,00	
EFFEBI	V 12		578324	170,00	
	EFFEBI-PRESS	V 15	578328	170,00	
		UNICO	V 18	578332	170,00
		V 22	578334	170,00	
		V 28	578336	170,00	
		V 35	578604	206,00	
		V 12 S (PR-2B)	Mini Z8	574748 R	144,00
		V 15 S (PR-2B)	Mini Z8	574752 R	144,00
		V 18 S (PR-2B)	Mini Z8	574756 R	144,00
		V 22 S (PR-2B)	Mini Z8	574758 R	144,00
	V 28 S (PR-2B)	Mini Z8	574760 R	144,00	
	V 35 S (PR-2B)	Mini Z8	574762 R	159,00	

System	Pressing tongs Mini/pressing rings	Drive with adapter tongs	Art.-No.	€	System	Pressing tongs Mini/pressing rings	Drive with adapter tongs	Art.-No.	€
EFFEBI	V 12		578324	170,00	EFFEBI	TH 16		578352 R	205,00
EFFEBI-PRESS	V 15		578328	170,00	TOF	TH 18		578356	205,00
UNICO	V 18		578332	170,00	MULTIPINZA	TH 20		578358 R	205,00
(GAS)	V 22		578334	170,00		TH 25		578360	205,00
	V 28		578336	170,00		TH 26		578362 R	205,00
	V 35		578604	206,00		TH 32		578364	205,00
	V 12 S (PR-2B)	Mini Z8	574748 R	144,00		TH 40		578624	272,00
	V 15 S (PR-2B)	Mini Z8	574752 R	144,00		TH 16 S (PR-2B)**	Mini Z8	574782 R	144,00
	V 18 S (PR-2B)	Mini Z8	574756 R	144,00		TH 18 S (PR-2B)**	Mini Z8	574786 R	144,00
	V 22 S (PR-2B)	Mini Z8	574758 R	144,00		TH 20 S (PR-2B)**	Mini Z8	574788 R	144,00
	V 28 S (PR-2B)	Mini Z8	574760 R	144,00		TH 25 S (PR-2B)**	Mini Z8	574792 R	144,00
	V 35 S (PR-2B)	Mini Z8	574762 R	159,00		TH 26 S (PR-2B)**	Mini Z8	574794 R	144,00
EFFEBI	M 15		578312	170,00		TH 32 S (PR-2B)	Mini Z8	574798 R	159,00
PRESSTIGE	M 18		578314	170,00		F 16		578456	195,00
	M 22		578316	170,00		F 18		578458	195,00
	M 28		578318	170,00		F 20		578460	195,00
	M 35		578390	206,00		F 26		578462	211,00
	M 15 S (PR-2B)	Mini Z8	574738 R	144,00		F 32		578464	211,00
	M 18 S (PR-2B)	Mini Z8	574740 R	144,00		Fz 40		578478	286,00
	M 22 S (PR-2B)	Mini Z8	574742 R	144,00		F 16 S (PR-2B)**	Mini Z8	574728 R	144,00
	M 28 S (PR-2B)	Mini Z8	574744 R	144,00		F 20 S (PR-2B)**	Mini Z8	574730 R	144,00
	M 35 S (PR-2B)	Mini Z8	574746 R	159,00		F 26 S (PR-2B)**	Mini Z8	574732 R	144,00
	V 15		578328	170,00		F 32 S (PR-2B)	Mini Z8	574734 R	159,00
	V 18		578332	170,00		H 16		578400	185,00
	V 22		578334	170,00		H 18		578404	185,00
	V 28		578336	170,00		H 20		578406	185,00
	V 35		578604	206,00		H 25		578408	185,00
	V 15 S (PR-2B)	Mini Z8	574752 R	144,00		H 26		578410	185,00
	V 18 S (PR-2B)	Mini Z8	574756 R	144,00		H 32		578412	185,00
	V 22 S (PR-2B)	Mini Z8	574758 R	144,00		U 16		578374	192,00
	V 28 S (PR-2B)	Mini Z8	574760 R	144,00		U 18		578376	192,00
	V 35 S (PR-2B)	Mini Z8	574762 R	159,00		U 20		578378	192,00
EFFEBI	M 15		578312	170,00		U 25		578380	192,00
PRESSTIGE 4E05	M 18		578314	170,00		U 26 ⁷⁾		578392	225,00
	M 22		578316	170,00		U 32		578382	225,00
	M 28		578318	170,00		U 40		578386	274,00
	M 35		578390	206,00		B 16		578468	224,00
	M 15 S (PR-2B)	Mini Z8	574738 R	144,00		B 18		578470	224,00
	M 18 S (PR-2B)	Mini Z8	574740 R	144,00		B 20		578472	224,00
	M 22 S (PR-2B)	Mini Z8	574742 R	144,00		B 26		578474	247,00
	M 28 S (PR-2B)	Mini Z8	574744 R	144,00		B 32		578476	247,00
	M 35 S (PR-2B)	Mini Z8	574746 R	159,00	EFIELD	U 16		578374	192,00
EFFEBI	M 15		578312	170,00	MULTILAYER PRESS	U 18		578376	192,00
PRESSTIGE-GAS	M 18		578314	170,00	DINGAS	U 20		578378	192,00
	M 22		578316	170,00		U 25		578380	192,00
	M 28		578318	170,00		U 32		578382	225,00
	M 35		578390	206,00	EFIELD	U 16		578374	192,00
	M 15 S (PR-2B)	Mini Z8	574738 R	144,00	MULTILAYER PRESS	U 18		578376	192,00
	M 18 S (PR-2B)	Mini Z8	574740 R	144,00	WATER	U 20		578378	192,00
	M 22 S (PR-2B)	Mini Z8	574742 R	144,00		U 25		578380	192,00
	M 28 S (PR-2B)	Mini Z8	574744 R	144,00		U 32		578382	225,00
	M 35 S (PR-2B)	Mini Z8	574746 R	159,00	Elkhart	VUS ½" (OD 15,9 mm)		578566	206,00
	V 15		578328	170,00	APOLLOXPRESS	VUS ¾" (OD 22,2 mm)		578568	206,00
	V 18		578332	170,00	Fittings Copper	VUS 1" (OD 28,6 mm)		578570	206,00
	V 22		578334	170,00	and Low-Lead Brass	VUS 1¼" (OD 34,9 mm)		578606	206,00
	V 28		578336	170,00	EMMETI	B 16		578468	224,00
	V 35		578604	206,00	GERPEX-	B 20		578472	224,00
	V 15 S (PR-2B)	Mini Z8	574752 R	144,00	FIVPRESS	B 26		578474	247,00
	V 18 S (PR-2B)	Mini Z8	574756 R	144,00		B 32		578476	247,00
	V 22 S (PR-2B)	Mini Z8	574758 R	144,00		F 16		578456	195,00
	V 28 S (PR-2B)	Mini Z8	574760 R	144,00		F 20		578460	195,00
	V 35 S (PR-2B)	Mini Z8	574762 R	159,00		H 16		578400	185,00
EFFEBI	TH 16		578352 R	205,00		H 20		578406	185,00
TOF-GAS	TH 20		578358 R	205,00		TH 16		578352 R	205,00
MULTIPINZA	TH 26		578362 R	205,00		TH 20		578358 R	205,00
	TH 32		578364	205,00		TH 26		578362 R	205,00
	TH 16 S (PR-2B)**	Mini Z8	574782 R	144,00		TH 32		578364	205,00
	TH 20 S (PR-2B)**	Mini Z8	574788 R	144,00		TH 40		578624	272,00
	TH 26 S (PR-2B)**	Mini Z8	574794 R	144,00		U 16		578374	192,00
	TH 32 S (PR-2B)	Mini Z8	574798 R	159,00		U 20		578378	192,00
	H 16		578400	185,00	EMPUR	TH 14		578348	205,00
	H 20		578406	185,00		TH 15		578350	205,00
	H 26		578410	185,00		TH 16		578352 R	205,00
	H 32		578412	185,00		TH 17		578354	205,00
	U 16		578374	192,00		TH 20		578358 R	205,00
	U 20		578378	192,00		TH 25		578360	205,00
	U 32		578382	225,00		TH 14 S (PR-2B)**	Mini Z8	574778 R	144,00
						TH 15 S (PR-2B)**	Mini Z8	574780 R	144,00
						TH 16 S (PR-2B)**	Mini Z8	574782 R	144,00
						TH 17 S (PR-2B)**	Mini Z8	574784 R	144,00
						TH 20 S (PR-2B)**	Mini Z8	574788 R	144,00
						TH 25 S (PR-2B)**	Mini Z8	574792 R	144,00

Pressfitting systems for gas installations may only be pressed with the pressing tongs Mini which are highlighted in yellow in the table.

Observe the national regulations. Read and observe the system provider's/manufacturer's instructions for use and assembly instructions.

** Can also be driven by the ROLLER'S Easy-Press manual radial press using the Z8 adapter tongs, see page 90. Observe the national regulations.

¹⁾ Only pressing tongs from designation "108" (1st quarter of 2008), "208" (2nd quarter of 2008) etc. can be used. The designation is stamped on every pressing jaw.

²⁾ For accommodating suitable pressing inserts.

³⁾ Only pressing tongs from designation "117" (1st quarter of 201), "217" (2nd quarter of 2017) etc. can be used. The designation is stamped on every pressing jaw.

⁴⁾ For pipes with the EN technical standard. Observe the system provider's/manufacturer's instructions for use.

⁵⁾ Only use Mini pressing tongs identified by "VMP ½" G" on the pressing jaws for gas installations.

⁷⁾ Previous designation: Mini C 26 pressing tongs

⁹⁾ For pipes with the ASTM technical standard. Observe the system provider's/manufacturer's instructions for use.

Suitability of the ROLLER'S pressing tools for pressfitting systems: Status 27.10.2023. The current status can be found on the Internet:

www.albert-roller.de → Downloads → Product Catalogues, Brochures → ROLLER Catalogue.

See page 79 for adapter tongs. Pressing tongs/pressing rings for other press fitting systems on request.

System	Pressing tongs Mini/pressing rings	Drive with adapter tongs	Art.-No.	€	
Esta Rohr	M 15		578312	170,00	
simplesta SH M	M 18		578314	170,00	
	M 22		578316	170,00	
	M 28		578318	170,00	
	M 35		578390	206,00	
	M 15 S (PR-2B)	Mini Z8	574738 R	144,00	
	M 18 S (PR-2B)	Mini Z8	574740 R	144,00	
	M 22 S (PR-2B)	Mini Z8	574742 R	144,00	
Esta Rohr	M 28 S (PR-2B)	Mini Z8	574744 R	144,00	
	M 35 S (PR-2B)	Mini Z8	574746 R	159,00	
	M 15		578312	170,00	
	M 18		578314	170,00	
	M 22		578316	170,00	
	M 28		578318	170,00	
	M 35		578390	206,00	
simplesta ST M	M 15 S (PR-2B)	Mini Z8	574738 R	144,00	
	M 18 S (PR-2B)	Mini Z8	574740 R	144,00	
	M 22 S (PR-2B)	Mini Z8	574742 R	144,00	
	M 28 S (PR-2B)	Mini Z8	574744 R	144,00	
	M 35 S (PR-2B)	Mini Z8	574746 R	159,00	
	EUROTUBI	M 12		578310	170,00
	EUROPA	M 15		578312	170,00
C-Steel Pressfitting	M 18		578314	170,00	
System M-Profile ¹⁾	M 22		578316	170,00	
	M 28		578318	170,00	
	M 35		578390	206,00	
	M 12 S (PR-2B)	Mini Z8	574736 R	144,00	
	M 15 S (PR-2B)	Mini Z8	574738 R	144,00	
	M 18 S (PR-2B)	Mini Z8	574740 R	144,00	
	M 22 S (PR-2B)	Mini Z8	574742 R	144,00	
	M 28 S (PR-2B)	Mini Z8	574744 R	144,00	
	M 35 S (PR-2B)	Mini Z8	574746 R	159,00	
	EUROTUBI	M 15		578312	170,00
	EUROPA	M 18		578314	170,00
	Inox Pressfitting	M 22		578316	170,00
	System M-Profile ¹⁾	M 28		578318	170,00
		M 35		578390	206,00
M 15 S (PR-2B)		Mini Z8	574738 R	144,00	
M 18 S (PR-2B)		Mini Z8	574740 R	144,00	
M 22 S (PR-2B)		Mini Z8	574742 R	144,00	
M 28 S (PR-2B)		Mini Z8	574744 R	144,00	
M 35 S (PR-2B)		Mini Z8	574746 R	159,00	
Evans	VAU 15 (1/2") (OD 12,7 mm)		578630	176,00	
Components	VAU 20 (3/4") (OD 19,1 mm)		578632	176,00	
Presslok	VAU 25 (1") (OD 25,4 mm)		578634	176,00	
F					
FAR Rubinetterie	TH 14		578348	205,00	
PRESSFAR	TH 16		578352 R	205,00	
	TH 17		578354	205,00	
	TH 18		578356	205,00	
	TH 20		578358 R	205,00	
	TH 25		578360	205,00	
	TH 26		578362 R	205,00	
	TH 32		578364	205,00	
	TH 40		578624	272,00	
	TH 14 S (PR-2B)**	Mini Z8	574778 R	144,00	
	TH 16 S (PR-2B)**	Mini Z8	574782 R	144,00	
	TH 17 S (PR-2B)**	Mini Z8	574784 R	144,00	
	TH 18 S (PR-2B)**	Mini Z8	574786 R	144,00	
	TH 20 S (PR-2B)**	Mini Z8	574788 R	144,00	
	TH 25 S (PR-2B)**	Mini Z8	574792 R	144,00	
	TH 26 S (PR-2B)**	Mini Z8	574794 R	144,00	
	TH 32 S (PR-2B)	Mini Z8	574798 R	159,00	
	H 14		578398	185,00	
	H 16		578400	185,00	
	H 18		578404	185,00	
	H 20		578406	185,00	
	H 26		578410	185,00	
	H 32		578412	185,00	
	U 14		578372	202,00	
	U 16		578374	192,00	
	U 18		578376	192,00	
	U 20		578378	192,00	
	U 25		578380	192,00	
U 32		578382	225,00		
U 40		578386	274,00		
F.B.Q. BARONIO	V 12		578324	170,00	
BQ PRESS SOLAR	V 14		578326	170,00	
	V 15		578328	170,00	
	V 16		578330	170,00	
	V 18		578332	170,00	
	V 22		578334	170,00	
	V 28		578336	170,00	
	V 35		578604	206,00	
	V 12 S (PR-2B)	Mini Z8	574748 R	144,00	
	V 14 S (PR-2B)	Mini Z8	574800 R	144,00	
	V 15 S (PR-2B)	Mini Z8	574752 R	144,00	
	V 16 S (PR-2B)	Mini Z8	574802 R	144,00	
	V 18 S (PR-2B)	Mini Z8	574756 R	144,00	
	V 22 S (PR-2B)	Mini Z8	574758 R	144,00	
	V 28 S (PR-2B)	Mini Z8	574760 R	144,00	
	V 35 S (PR-2B)	Mini Z8	574762 R	159,00	

System	Pressing tongs Mini/pressing rings	Drive with adapter tongs	Art.-No.	€	
F.B.Q. BARONIO	V 12		578324	170,00	
BQ PRESS WATER	V 14		578326	170,00	
	V 15		578328	170,00	
	V 16		578330	170,00	
	V 18		578332	170,00	
	V 22		578334	170,00	
	V 28		578336	170,00	
	V 35		578604	206,00	
	V 12 S (PR-2B)	Mini Z8	574748 R	144,00	
	V 14 S (PR-2B)	Mini Z8	574800 R	144,00	
	V 15 S (PR-2B)	Mini Z8	574752 R	144,00	
	V 16 S (PR-2B)	Mini Z8	574802 R	144,00	
	V 18 S (PR-2B)	Mini Z8	574756 R	144,00	
	V 22 S (PR-2B)	Mini Z8	574758 R	144,00	
	V 28 S (PR-2B)	Mini Z8	574760 R	144,00	
	V 35 S (PR-2B)	Mini Z8	574762 R	159,00	
	F.B.Q. BARONIO	V 12		578324	170,00
	BQ PRESS GAS	V 14		578326	170,00
V 15			578328	170,00	
V 16			578330	170,00	
V 18			578332	170,00	
V 22			578334	170,00	
V 28			578336	170,00	
V 35			578604	206,00	
V 12 S (PR-2B)		Mini Z8	574748 R	144,00	
V 14 S (PR-2B)		Mini Z8	574800 R	144,00	
V 15 S (PR-2B)		Mini Z8	574752 R	144,00	
V 16 S (PR-2B)		Mini Z8	574802 R	144,00	
V 18 S (PR-2B)		Mini Z8	574756 R	144,00	
V 22 S (PR-2B)		Mini Z8	574758 R	144,00	
V 28 S (PR-2B)		Mini Z8	574760 R	144,00	
V 35 S (PR-2B)		Mini Z8	574762 R	159,00	
FERCOFLOOR		RFz 16		578492	214,00
DUO Press		RFz 20		578494	214,00
FERCO PEX	RFz 25		578496	214,00	
	RFz 32		578498	214,00	
	TH 16		578352 R	205,00	
	TH 20		578358 R	205,00	
	TH 25		578360	205,00	
	TH 32		578364	205,00	
	TH 40		578624	272,00	
	TH 16 S (PR-2B)**	Mini Z8	574782 R	144,00	
	TH 20 S (PR-2B)**	Mini Z8	574788 R	144,00	
	TH 25 S (PR-2B)**	Mini Z8	574792 R	144,00	
	TH 32 S (PR-2B)	Mini Z8	574798 R	159,00	
	FERCOFLOOR	RFz 16		578492	214,00
	DUO Press	RFz 20		578494	214,00
	MULTIFER	RFz 25		578496	214,00
		RFz 32		578498	214,00
		TH 16		578352 R	205,00
		TH 20		578358 R	205,00
TH 25			578360	205,00	
TH 32			578364	205,00	
TH 40			578624	272,00	
TH 16 S (PR-2B)**		Mini Z8	574782 R	144,00	
TH 20 S (PR-2B)**		Mini Z8	574788 R	144,00	
TH 25 S (PR-2B)**		Mini Z8	574792 R	144,00	
TH 32 S (PR-2B)		Mini Z8	574798 R	159,00	
U 16			578374	192,00	
U 18			578376	192,00	
U 20			578378	192,00	
U 25			578380	192,00	
U 32			578382	225,00	
U 40			578386	274,00	
FERRO systems	TH 16		578352 R	205,00	
BRASELI	TH 20		578358 R	205,00	
	TH 25		578360	205,00	
	TH 32		578364	205,00	
	TH 16 S (PR-2B)**	Mini Z8	574782 R	144,00	
	TH 20 S (PR-2B)**	Mini Z8	574788 R	144,00	
	TH 25 S (PR-2B)**	Mini Z8	574792 R	144,00	
	TH 32 S (PR-2B)	Mini Z8	574798 R	159,00	
FERRO systems	U 16		578374	192,00	
BRASELI	U 18		578376	192,00	
	GPF MULT	U 20	578378	192,00	
	Pressfitting	U 25	578380	192,00	
	MULTICAPA	U 32	578382	225,00	
		U 40	578386	274,00	
	FERRO systems	U 16	578374	192,00	
	BRASELI	U 18	578376	192,00	
GPF PPSU		U 20	578378	192,00	
Pressfitting PEX y		U 25	578380	192,00	
MULTICAPA		U 32	578382	225,00	
		U 40	578386	274,00	
FERRO systems		RFz 16	578492	214,00	
BRASELI		RFz 20	578494	214,00	
	GPF PRESS	RFz 25	578496	214,00	
	Pressfitting PEX	RFz 32	578498	214,00	
	FILINOX	M 15	578312	170,00	
		Instalpress Steel	M 18	578314	170,00
		M 22	578316	170,00	
		M 28	578318	170,00	
M 35		578390	206,00		
M 15 S (PR-2B)	Mini Z8	574738 R	144,00		
M 18 S (PR-2B)	Mini Z8	574740 R	144,00		
M 22 S (PR-2B)	Mini Z8	574742 R	144,00		
M 28 S (PR-2B)	Mini Z8	574744 R	144,00		
M 35 S (PR-2B)	Mini Z8	574746 R	159,00		

System	Pressing tongs Mini/pressing rings	Drive with adapter tongs	Art.-No.	€
FILINOX	M 15		578312	170,00
Instalpress Inox	M 18		578314	170,00
	M 22		578316	170,00
	M 28		578318	170,00
	M 35		578390	206,00
	M 15 S (PR-2B)	Mini Z8	574738 R	144,00
	M 18 S (PR-2B)	Mini Z8	574740 R	144,00
	M 22 S (PR-2B)	Mini Z8	574742 R	144,00
	M 28 S (PR-2B)	Mini Z8	574744 R	144,00
	M 35 S (PR-2B)	Mini Z8	574746 R	159,00
FITTINGS ESTÁNDAR	RFz 16		578492	214,00
ECO-PRESS	RFz 20		578494	214,00
	RFz 25		578496	214,00
	RFz 32		578498	214,00
FITTINGS ESTÁNDAR	RFz 16		578492	214,00
MULTICAPA	RFz 18		578638	214,00
	RFz 20		578494	214,00
	RFz 25		578496	214,00
	RFz 32		578498	214,00
FITTINGS ESTÁNDAR	RFz 16		578492	214,00
PE-X	RFz 20		578494	214,00
	RFz 25		578496	214,00
	RFz 32		578498	214,00
	FORNARA	B 16		578468
ForPress	B 20		578472	224,00
	B 26		578474	247,00
	B 32		578476	247,00
	F 16		578456	195,00
	F 20		578460	195,00
	F 26		578462	211,00
	F 32		578464	211,00
	F 16 S (PR-2B)**	Mini Z8	574728 R	144,00
	F 20 S (PR-2B)**	Mini Z8	574730 R	144,00
	F 26 S (PR-2B)**	Mini Z8	574732 R	144,00
	F 32 S (PR-2B)	Mini Z8	574734 R	159,00
	H 16		578400	185,00
	H 20		578406	185,00
	H 26		578410	185,00
	H 32		578412	185,00
	TH 16		578352 R	205,00
	TH 20		578358 R	205,00
	TH 26		578362 R	205,00
	TH 32		578364	205,00
	TH 16 S (PR-2B)**	Mini Z8	574782 R	144,00
	TH 20 S (PR-2B)**	Mini Z8	574788 R	144,00
	TH 26 S (PR-2B)**	Mini Z8	574794 R	144,00
	TH 32 S (PR-2B)	Mini Z8	574798 R	159,00
	U 16		578374	192,00
	U 20		578378	192,00
	U 26 ⁷⁾		578392	225,00
	U 32		578382	225,00
FORZA	K16/P18		578592	214,00
WATER CRIMP (AUS)	K20		578594	214,00
	K25		578596	214,00
	K32		578598	214,00
	K140		578600	214,00
FORZA STAINLESS	K16/P18		578592	214,00
WATER CRIMP	K20		578594	214,00
FORZA	U 16		578374	192,00
STESSO PEX	U 20		578378	192,00
WATER AND GAS CRIMP (AUS)	U 25		578380	192,00
	U 32		578382	225,00
	U 40		578386	274,00
FORZA	K16/P18		578592	214,00
GAS CRIMP (AUS)	K20		578594	214,00
	K25		578596	214,00
	K32		578598	214,00
	K140		578600	214,00
FORZA	VAU 15 (OD 12,7 mm)		578630	176,00
COPPER V PRESS (AUS)	VAU 20 (OD 19,1 mm)		578632	176,00
	VAU 25 (OD 25,4 mm)		578634	176,00
	VAU 32 (OD 31,8 mm)		578636	185,00
	VAU 15 S (PR-2B) (OD 12,7 mm)	Mini Z8	574804 R	144,00
	VAU 20 S (PR-2B)** (OD 19,1 mm)	Mini Z8	574806 R	144,00
	VAU 25 S (PR-2B)** (OD 25,4 mm)	Mini Z8	574808 R	159,00

System	Pressing tongs Mini/pressing rings	Drive with adapter tongs	Art.-No.	€
FORZA	V 15		578328	170,00
STAINLESS V PRESS (AUS)	V 22		578334	170,00
	V 28		578336	170,00
	V 35		578604	206,00
	V 15 S (PR-2B)	Mini Z8	574752 R	144,00
	V 22 S (PR-2B)	Mini Z8	574758 R	144,00
	V 28 S (PR-2B)	Mini Z8	574760 R	144,00
V 35 S (PR-2B)	Mini Z8	574762 R	159,00	
FRABO	M 15		578312	170,00
FRABOPRESS 316 GAS M	M 18		578314	170,00
	M 22		578316	170,00
	M 28		578318	170,00
	M 35		578390	206,00
	M 15 S (PR-2B)	Mini Z8	574738 R	144,00
	M 18 S (PR-2B)	Mini Z8	574740 R	144,00
M 22 S (PR-2B)	Mini Z8	574742 R	144,00	
M 28 S (PR-2B)	Mini Z8	574744 R	144,00	
M 35 S (PR-2B)	Mini Z8	574746 R	159,00	
FRABO	V 15		578328	170,00
FRABOPRESS 316 GAS V	V 18		578332	170,00
	V 22		578334	170,00
	V 28		578336	170,00
	V 35		578604	206,00
	V 15 S (PR-2B)	Mini Z8	574752 R	144,00
	V 18 S (PR-2B)	Mini Z8	574756 R	144,00
V 22 S (PR-2B)	Mini Z8	574758 R	144,00	
V 28 S (PR-2B)	Mini Z8	574760 R	144,00	
V 35 S (PR-2B)	Mini Z8	574762 R	159,00	
FRABO	M 15		578312	170,00
FRABOPRESS 316 M	M 18		578314	170,00
	M 22		578316	170,00
	M 28		578318	170,00
	M 35		578390	206,00
	M 15 S (PR-2B)	Mini Z8	574738 R	144,00
	M 18 S (PR-2B)	Mini Z8	574740 R	144,00
M 22 S (PR-2B)	Mini Z8	574742 R	144,00	
M 28 S (PR-2B)	Mini Z8	574744 R	144,00	
M 35 S (PR-2B)	Mini Z8	574746 R	159,00	
FRABO	V 12		578324	170,00
FRABOPRESS 316 V	V 15		578328	170,00
	V 18		578332	170,00
	V 22		578334	170,00
	V 28		578336	170,00
	V 35		578604	206,00
	V 12 S (PR-2B)	Mini Z8	574748 R	144,00
V 15 S (PR-2B)	Mini Z8	574752 R	144,00	
V 18 S (PR-2B)	Mini Z8	574756 R	144,00	
V 22 S (PR-2B)	Mini Z8	574758 R	144,00	
V 28 S (PR-2B)	Mini Z8	574760 R	144,00	
V 35 S (PR-2B)	Mini Z8	574762 R	159,00	
FRABO	V 12		578324	170,00
FRABOPRESS CHROME	V 15		578328	170,00
	V 18		578332	170,00
V 22		578334	170,00	
V 12 S (PR-2B)	Mini Z8	574748 R	144,00	
V 15 S (PR-2B)	Mini Z8	574752 R	144,00	
V 18 S (PR-2B)	Mini Z8	574756 R	144,00	
V 22 S (PR-2B)	Mini Z8	574758 R	144,00	
V 28 S (PR-2B)	Mini Z8	574760 R	144,00	
V 35 S (PR-2B)	Mini Z8	574762 R	159,00	
FRABO	M 15		578312	170,00
FRABOPRESS C-STEEL M	M 18		578314	170,00
	M 22		578316	170,00
M 28		578318	170,00	
M 35		578390	206,00	
M 15 S (PR-2B)	Mini Z8	574738 R	144,00	
M 18 S (PR-2B)	Mini Z8	574740 R	144,00	
M 22 S (PR-2B)	Mini Z8	574742 R	144,00	
M 28 S (PR-2B)	Mini Z8	574744 R	144,00	
M 35 S (PR-2B)	Mini Z8	574746 R	159,00	
FRABO	V 12		578324	170,00
FRABOPRESS C-STEEL V	V 15		578328	170,00
	V 18		578332	170,00
V 22		578334	170,00	
V 28		578336	170,00	
V 35		578604	206,00	
V 12 S (PR-2B)	Mini Z8	574748 R	144,00	
V 15 S (PR-2B)	Mini Z8	574752 R	144,00	
V 18 S (PR-2B)	Mini Z8	574756 R	144,00	
V 22 S (PR-2B)	Mini Z8	574758 R	144,00	
V 28 S (PR-2B)	Mini Z8	574760 R	144,00	
V 35 S (PR-2B)	Mini Z8	574762 R	159,00	

Pressfitting systems for gas installations may only be pressed with the pressing tongs Mini which are highlighted in yellow in the table.

Observe the national regulations. Read and observe the system provider's/manufacturer's instructions for use and assembly instructions.

** Can also be driven by the ROLLER'S Easy-Press manual radial press using the Z8 adapter tongs, see page 90. Observe the national regulations.

¹⁾ Only pressing tongs from designation "108" (1st quarter of 2008), "208" (2nd quarter of 2008) etc. can be used. The designation is stamped on every pressing jaw.

²⁾ For accommodating suitable pressing inserts.

³⁾ Only pressing tongs from designation "117" (1st quarter of 201), "217" (2nd quarter of 2017) etc. can be used. The designation is stamped on every pressing jaw.

⁴⁾ For pipes with the EN technical standard. Observe the system provider's/manufacturer's instructions for use.

⁵⁾ Only use Mini pressing tongs identified by "VMP ½" G" on the pressing jaws for gas installations.

⁷⁾ Previous designation: Mini C 26 pressing tongs

⁹⁾ For pipes with the ASTM technical standard. Observe the system provider's/manufacturer's instructions for use.

Suitability of the ROLLER'S pressing tools for pressfitting systems: Status 27.10.2023. The current status can be found on the Internet:

www.albert-roller.de → Downloads → Product Catalogues, Brochures → ROLLER Catalogue.

See page 79 for adapter tongs. Pressing tongs/pressing rings for other press fitting systems on request.

System	Pressing tongs Mini/pressing rings	Drive with adapter tongs	Art.-No.	€	System	Pressing tongs Mini/pressing rings	Drive with adapter tongs	Art.-No.	€
FRABO	M 12		578310	170,00	Fränkische	F 16		578456	195,00
FRABOPRESS	M 15		578312	170,00	alpex F50 PROFI	F 20		578460	195,00
GAS M	M 18		578314	170,00		F 26		578462	211,00
	M 22		578316	170,00		F 32		578464	211,00
	M 28		578318	170,00		F 16 S (PR-2B)**	Mini Z8	574728 R	144,00
	M 35		578390	206,00		F 20 S (PR-2B)**	Mini Z8	574730 R	144,00
	M 12 S (PR-2B)	Mini Z8	574736 R	144,00		F 26 S (PR-2B)**	Mini Z8	574732 R	144,00
	M 15 S (PR-2B)	Mini Z8	574738 R	144,00		F 32 S (PR-2B)**	Mini Z8	574734 R	159,00
	M 18 S (PR-2B)	Mini Z8	574740 R	144,00		H 16		578400	185,00
	M 22 S (PR-2B)	Mini Z8	574742 R	144,00		H 20		578406	185,00
	M 28 S (PR-2B)	Mini Z8	574744 R	144,00		H 26		578410	185,00
	M 35 S (PR-2B)	Mini Z8	574746 R	159,00		H 32		578412	185,00
FRABO	V 12		578324	170,00		TH 16		578352 R	205,00
FRABOPRESS	V 15		578328	170,00		TH 20		578358 R	205,00
GAS V	V 18		578332	170,00		TH 26		578362 R	205,00
	V 22		578334	170,00		TH 32		578364	205,00
	V 28		578336	170,00		TH 16 S (PR-2B)**	Mini Z8	574782 R	144,00
	V 35		578604	206,00		TH 20 S (PR-2B)**	Mini Z8	574788 R	144,00
	V 12 S (PR-2B)	Mini Z8	574748 R	144,00		TH 26 S (PR-2B)**	Mini Z8	574794 R	144,00
	V 15 S (PR-2B)	Mini Z8	574752 R	144,00		TH 32 S (PR-2B)**	Mini Z8	574798 R	159,00
	V 18 S (PR-2B)	Mini Z8	574756 R	144,00		U 16		578374	192,00
	V 22 S (PR-2B)	Mini Z8	574758 R	144,00	(DN 26)	U 20		578378	192,00
	V 28 S (PR-2B)	Mini Z8	574760 R	144,00		U 25		578380	192,00
	V 35 S (PR-2B)	Mini Z8	574762 R	159,00		U 32		578382	225,00
FRABO	V 12		578324	170,00		VP 16		578482	204,00
FRABOPRESS	V 15		578328	170,00		VP 20		578484	204,00
KOMBI	V 18		578332	170,00		VP 32		578488	226,00
	V 22		578334	170,00	Fränkische	Fz 40		578478	286,00
	V 28		578336	170,00	alpex L				
	V 35		578604	206,00	G				
	V 12 S (PR-2B)	Mini Z8	574748 R	144,00	gabotherm H+S	TH 10		578342	205,00
	V 15 S (PR-2B)	Mini Z8	574752 R	144,00		TH 12		578346	205,00
	V 18 S (PR-2B)	Mini Z8	574756 R	144,00		TH 14		578348	205,00
	V 22 S (PR-2B)	Mini Z8	574758 R	144,00		TH 15		578350	205,00
	V 28 S (PR-2B)	Mini Z8	574760 R	144,00		TH 16		578352 R	205,00
	V 35 S (PR-2B)	Mini Z8	574762 R	159,00		TH 17		578354	205,00
FRABO	M 12		578310	170,00		TH 18		578356	205,00
FRABOPRESS M	M 15		578312	170,00		TH 20		578358 R	205,00
	M 18		578314	170,00		TH 25		578360	205,00
	M 22		578316	170,00		TH 26		578362 R	205,00
	M 28		578318	170,00		TH 32		578364	205,00
	M 35		578390	206,00		TH 40		578624	272,00
	M 12 S (PR-2B)	Mini Z8	574736 R	144,00		TH 10 S (PR-2B)**	Mini Z8	574772 R	144,00
	M 15 S (PR-2B)	Mini Z8	574738 R	144,00		TH 12 S (PR-2B)**	Mini Z8	574776 R	144,00
	M 18 S (PR-2B)	Mini Z8	574740 R	144,00		TH 14 S (PR-2B)**	Mini Z8	574778 R	144,00
	M 22 S (PR-2B)	Mini Z8	574742 R	144,00		TH 15 S (PR-2B)**	Mini Z8	574780 R	144,00
	M 28 S (PR-2B)	Mini Z8	574744 R	144,00		TH 16 S (PR-2B)**	Mini Z8	574782 R	144,00
	M 35 S (PR-2B)	Mini Z8	574746 R	159,00		TH 17 S (PR-2B)**	Mini Z8	574784 R	144,00
FRABO	V 15		578328	170,00		TH 18 S (PR-2B)**	Mini Z8	574786 R	144,00
FRABOPRESS	V 18		578332	170,00		TH 20 S (PR-2B)**	Mini Z8	574788 R	144,00
SOLAR	V 22		578334	170,00		TH 25 S (PR-2B)**	Mini Z8	574792 R	144,00
	V 28		578336	170,00		TH 26 S (PR-2B)**	Mini Z8	574794 R	144,00
	V 35		578604	206,00		TH 32 S (PR-2B)	Mini Z8	574798 R	159,00
	V 15 S (PR-2B)	Mini Z8	574752 R	144,00	Gallagher USA	H 12 (3/4")		578396	185,00
	V 18 S (PR-2B)	Mini Z8	574756 R	144,00	YogaPipe ACR	U 14 (3/4")		578372	202,00
	V 22 S (PR-2B)	Mini Z8	574758 R	144,00		U 16 (3/4")		578374	192,00
	V 28 S (PR-2B)	Mini Z8	574760 R	144,00		U 18 (3/4")		578376	192,00
	V 35 S (PR-2B)	Mini Z8	574762 R	159,00		U 20 (3/4")		578378	192,00
FRABO	V 12		578324	170,00		U 25 (3/4")		578380	192,00
FRABOPRESS V	V 15		578328	170,00		U 32 (1 1/8")		578382	225,00
	V 18		578332	170,00	Geberit Mapress	M 12		578310	170,00
	V 22		578334	170,00	C-STAHl	M 15		578312	170,00
	V 28		578336	170,00		M 18		578314	170,00
	V 35		578604	206,00		M 22		578316	170,00
	V 12 S (PR-2B)	Mini Z8	574748 R	144,00		M 28		578318	170,00
	V 15 S (PR-2B)	Mini Z8	574752 R	144,00		M 35		578390	206,00
	V 18 S (PR-2B)	Mini Z8	574756 R	144,00		M 12 S (PR-2B)	Mini Z8	574736 R	144,00
	V 22 S (PR-2B)	Mini Z8	574758 R	144,00		M 15 S (PR-2B)	Mini Z8	574738 R	144,00
	V 28 S (PR-2B)	Mini Z8	574760 R	144,00		M 18 S (PR-2B)	Mini Z8	574740 R	144,00
	V 35 S (PR-2B)	Mini Z8	574762 R	159,00		M 22 S (PR-2B)	Mini Z8	574742 R	144,00
Fränkische	F 16		578456	195,00		M 28 S (PR-2B)	Mini Z8	574744 R	144,00
alpex-duo XS	F 20		578460	195,00		M 35 S (PR-2B)	Mini Z8	574746 R	159,00
	F 26		578462	211,00	Geberit Mapress	M 22		578316	170,00
	F 32		578464	211,00	C-STAHl Sprinkler	M 28		578318	170,00
	F 16 S (PR-2B)**	Mini Z8	574728 R	144,00	nass				170,00
	F 20 S (PR-2B)**	Mini Z8	574730 R	144,00	Geberit Mapress	M 12		578310	170,00
	F 26 S (PR-2B)**	Mini Z8	574732 R	144,00	Edelstahl	M 15		578312	170,00
	F 32 S (PR-2B)**	Mini Z8	574734 R	159,00		M 18		578314	170,00
	TH 16		578352 R	205,00		M 22		578316	170,00
	TH 20		578358 R	205,00		M 28		578318	170,00
	TH 26		578362 R	205,00		M 35		578390	206,00
	TH 32		578364	205,00		M 12 S (PR-2B)	Mini Z8	574736 R	144,00
	TH 16 S (PR-2B)**	Mini Z8	574782 R	144,00		M 15 S (PR-2B)	Mini Z8	574738 R	144,00
	TH 20 S (PR-2B)**	Mini Z8	574788 R	144,00		M 18 S (PR-2B)	Mini Z8	574740 R	144,00
	TH 26 S (PR-2B)**	Mini Z8	574794 R	144,00		M 22 S (PR-2B)	Mini Z8	574742 R	144,00
	TH 32 S (PR-2B)**	Mini Z8	574798 R	159,00		M 28 S (PR-2B)	Mini Z8	574744 R	144,00
						M 35 S (PR-2B)	Mini Z8	574746 R	159,00

System	Pressing tongs Mini/pressing rings	Drive with adapter tongs	Art.-No.	€	System	Pressing tongs Mini/pressing rings	Drive with adapter tongs	Art.-No.	€
Geberit Mapress	M 15		578312	170,00	General Fittings	B 16		578468	224,00
Edelstahl Gas	M 18		578314	170,00	Serie SS00	B 18		578470	224,00
	M 22		578316	170,00		B 20		578472	224,00
	M 28		578318	170,00		B 26		578474	247,00
	M 35		578390	206,00		B 32		578476	247,00
	M 15 S (PR-2B)	Mini Z8	574738 R	144,00		F 16		578456	195,00
	M 18 S (PR-2B)	Mini Z8	574740 R	144,00		F 20		578460	195,00
	M 22 S (PR-2B)	Mini Z8	574742 R	144,00		F 26		578462	211,00
	M 28 S (PR-2B)	Mini Z8	574744 R	144,00		F 32		578464	211,00
	M 35 S (PR-2B)	Mini Z8	574746 R	159,00		F 16 S (PR-2B)**	Mini Z8	574728 R	144,00
Geberit Mapress	M 22		578316	170,00		F 20 S (PR-2B)**	Mini Z8	574730 R	144,00
Edelstahl Sprinkler	M 28		578318	170,00		F 26 S (PR-2B)**	Mini Z8	574732 R	144,00
Geberit Mapress	M 12		578310	170,00		F 32 S (PR-2B)	Mini Z8	574734 R	159,00
Kupfer	M 15		578312	170,00		H 16		578400	185,00
	M 18		578314	170,00		H 18		578404	185,00
	M 22		578316	170,00		H 20		578406	185,00
	M 28		578318	170,00		H 25		578408	185,00
	M 35		578390	206,00		H 26		578410	185,00
	M 12 S (PR-2B)	Mini Z8	574736 R	144,00		H 32		578412	185,00
	M 15 S (PR-2B)	Mini Z8	574738 R	144,00		TH 16		578352 R	205,00
	M 18 S (PR-2B)	Mini Z8	574740 R	144,00		TH 18		578356	205,00
	M 22 S (PR-2B)	Mini Z8	574742 R	144,00		TH 20		578358 R	205,00
	M 28 S (PR-2B)	Mini Z8	574744 R	144,00		TH 25		578360	205,00
	M 35 S (PR-2B)	Mini Z8	574746 R	159,00		TH 26		578362 R	205,00
Geberit Mapress	M 15		578312	170,00		TH 32		578364	205,00
Kupfer Gas	M 18		578314	170,00		TH 40		578624	272,00
	M 22		578316	170,00		TH 16 S (PR-2B)**	Mini Z8	574782 R	144,00
	M 28		578318	170,00		TH 18 S (PR-2B)**	Mini Z8	574786 R	144,00
	M 35		578390	206,00		TH 20 S (PR-2B)**	Mini Z8	574788 R	144,00
	M 15 S (PR-2B)	Mini Z8	574738 R	144,00		TH 25 S (PR-2B)**	Mini Z8	574792 R	144,00
	M 18 S (PR-2B)	Mini Z8	574740 R	144,00		TH 26 S (PR-2B)**	Mini Z8	574794 R	144,00
	M 22 S (PR-2B)	Mini Z8	574742 R	144,00		TH 32 S (PR-2B)	Mini Z8	574798 R	159,00
	M 28 S (PR-2B)	Mini Z8	574744 R	144,00		U 16		578374	192,00
	M 35 S (PR-2B)	Mini Z8	574746 R	159,00		U 18		578376	192,00
Geberit Mepla	G 16		578444	206,00		U 20		578378	192,00
	G 20		578446	206,00		U 25		578380	192,00
	G 26		578448	218,00		U 32		578382	225,00
	G 32		578450	233,00		U 40		578386	274,00
	G 40		578452	301,00	General Fittings	H 16		578400	185,00
Geberit Mepla	G 16		578444	206,00	Trident	H 20		578406	185,00
Therm	G 20		578446	206,00		H 26		578410	185,00
	G 26		578448	218,00		H 32		578412	185,00
Geberit Volex	TH 16		578352 R	205,00		TH 16		578352 R	205,00
	TH 20		578358 R	205,00		TH 20		578358 R	205,00
	TH 26		578362 R	205,00		TH 26		578362 R	205,00
General Fittings	H 16		578400	185,00		TH 32		578364	205,00
5T00	H 20		578406	185,00		TH 16 S (PR-2B)**	Mini Z8	574782 R	144,00
	H 26		578410	185,00		TH 20 S (PR-2B)**	Mini Z8	574788 R	144,00
	H 32		578412	185,00		TH 26 S (PR-2B)**	Mini Z8	574794 R	144,00
	TH 16		578352 R	205,00		TH 32 S (PR-2B)	Mini Z8	574798 R	159,00
	TH 20		578358 R	205,00		U 16		578374	192,00
	TH 26		578362 R	205,00		U 20		578378	192,00
	TH 32		578364	205,00		U 32		578382	225,00
	TH 40		578624	272,00	General Fittings	H 16		578400	185,00
	TH 16 S (PR-2B)**	Mini Z8	574782 R	144,00	Trident Gas	H 20		578406	185,00
	TH 20 S (PR-2B)**	Mini Z8	574788 R	144,00		H 26		578410	185,00
	TH 26 S (PR-2B)**	Mini Z8	574794 R	144,00		TH 16		578352 R	205,00
	TH 32 S (PR-2B)	Mini Z8	574798 R	159,00		TH 20		578358 R	205,00
	U 16		578374	192,00		TH 26		578362 R	205,00
	U 20		578378	192,00		TH 32		578364	205,00
	U 32		578382	225,00		TH 16 S (PR-2B)**	Mini Z8	574782 R	144,00
	U 40		578386	274,00		TH 20 S (PR-2B)**	Mini Z8	574788 R	144,00
General Fittings	H 16		578400	185,00		TH 26 S (PR-2B)**	Mini Z8	574794 R	144,00
Ewoprex	H 20		578406	185,00		TH 32 S (PR-2B)	Mini Z8	574798 R	159,00
	H 26		578410	185,00		U 16		578374	192,00
	H 32		578412	185,00		U 20		578378	192,00
	TH 16		578352 R	205,00		U 32		578382	225,00
	TH 20		578358 R	205,00		U 40		578386	274,00
	TH 26		578362 R	205,00	Giacomini	H 16		578400	185,00
	TH 32		578364	205,00	Raccordi RM	H 20		578406	185,00
	TH 40		578624	272,00	Giacomini	H 26		578410	185,00
	TH 16 S (PR-2B)**	Mini Z8	574782 R	144,00		H 32		578412	185,00
	TH 20 S (PR-2B)**	Mini Z8	574788 R	144,00		TH 16		578352 R	205,00
	TH 26 S (PR-2B)**	Mini Z8	574794 R	144,00		TH 20		578358 R	205,00
	TH 32 S (PR-2B)	Mini Z8	574798 R	159,00		TH 26		578362 R	205,00
	U 16		578374	192,00		TH 32		578364	205,00
	U 20		578378	192,00		TH 40		578624	272,00
	U 32		578382	225,00		U 16		578374	192,00
	U 40		578386	274,00		U 20		578378	192,00

Pressfitting systems for gas installations may only be pressed with the pressing tongs Mini which are highlighted in yellow in the table.

Observe the national regulations. Read and observe the system provider's/manufacturer's instructions for use and assembly instructions.

** Can also be driven by the ROLLER'S Easy-Press manual radial press using the Z8 adapter tongs, see page 90. Observe the national regulations.

1) Only pressing tongs from designation "108" (1st quarter of 2008), "208" (2nd quarter of 2008) etc. can be used. The designation is stamped on every pressing jaw.

2) For accommodating suitable pressing inserts.

3) Only pressing tongs from designation "117" (1st quarter of 201), "217" (2nd quarter of 2017) etc. can be used. The designation is stamped on every pressing jaw.

4) For pipes with the EN technical standard. Observe the system provider's/manufacturer's instructions for use.

5) Only use Mini pressing tongs identified by "VMP 1/2" G" on the pressing jaws for gas installations.

7) Previous designation: Mini C 26 pressing tongs

9) For pipes with the ASTM technical standard. Observe the system provider's/manufacturer's instructions for use.

Suitability of the ROLLER'S pressing tools for pressfitting systems: Status 27.10.2023. The current status can be found on the Internet:

www.albert-roller.de → Downloads → Product Catalogues, Brochures → ROLLER Catalogue.

See page 79 for adapter tongs. Pressing tongs/pressing rings for other press fitting systems on request.

System	Pressing tongs Mini/pressing rings	Drive with adapter tongs	Art.-No.	€	
Giacomini RM MULTIGAS	H 16		578400	185,00	
	H 20		578406	185,00	
	H 26		578410	185,00	
	H 32		578412	185,00	
	TH 16		578352 R	205,00	
	TH 20		578358 R	205,00	
	TH 26		578362 R	205,00	
	TH 32		578364	205,00	
	U 16		578374	192,00	
	U 20		578378	192,00	
	U 32		578382	225,00	
	Giacomini Valvole Giacomini serie R850V	V 15		578328	170,00
		V 18		578332	170,00
V 22			578334	170,00	
V 28			578336	170,00	
V 35			578604	206,00	
V 15 S (PR-2B)		Mini Z8	574752 R	144,00	
V 18 S (PR-2B)		Mini Z8	574756 R	144,00	
V 22 S (PR-2B)		Mini Z8	574758 R	144,00	
V 28 S (PR-2B)		Mini Z8	574760 R	144,00	
V 35 S (PR-2B)		Mini Z8	574762 R	159,00	
SA 15			578514	204,00	
SA 18			578518	204,00	
SA 22			578520	204,00	
SA 28			578522	204,00	
M 15			578312	170,00	
M 18			578314	170,00	
M 22			578316	170,00	
M 28			578318	170,00	
M 35			578390	206,00	
M 15 S (PR-2B)		Mini Z8	574738 R	144,00	
M 18 S (PR-2B)		Mini Z8	574740 R	144,00	
M 22 S (PR-2B)		Mini Z8	574742 R	144,00	
M 28 S (PR-2B)		Mini Z8	574744 R	144,00	
M 35 S (PR-2B)		Mini Z8	574746 R	159,00	
Golan Pipe Systems (Scandinavia) Alu-Pres		U 16		578374	192,00
		U 20		578378	192,00
		U 25		578380	192,00
	U 32		578382	225,00	
Grinnell G-PRESS Copper Fittings	U 40		578386	274,00	
	VUS ½" (OD 15,9 mm)		578566	206,00	
	VUS ¾" (OD 22,2 mm)		578568	206,00	
	VUS 1" (OD 28,6 mm)		578570	206,00	
GS Wärmesysteme System TH	VUS 1½" (OD 34,9 mm)		578606	206,00	
	TH 14		578348	205,00	
	TH 16		578352 R	205,00	
	TH 20		578358 R	205,00	
	TH 26		578362 R	205,00	
	TH 32		578364	205,00	
	TH 40		578624	272,00	
	TH 14 S (PR-2B)**	Mini Z8	574778 R	144,00	
	TH 16 S (PR-2B)**	Mini Z8	574782 R	144,00	
	TH 20 S (PR-2B)**	Mini Z8	574788 R	144,00	
	TH 26 S (PR-2B)**	Mini Z8	574794 R	144,00	
	TH 32 S (PR-2B)	Mini Z8	574798 R	159,00	
	GS Wärmesysteme System V	V 15		578328	170,00
V 18			578332	170,00	
V 22			578334	170,00	
V 28			578336	170,00	
V 35			578604	206,00	
V 15 S (PR-2B)		Mini Z8	574752 R	144,00	
V 18 S (PR-2B)		Mini Z8	574756 R	144,00	
V 22 S (PR-2B)		Mini Z8	574758 R	144,00	
V 28 S (PR-2B)		Mini Z8	574760 R	144,00	
V 35 S (PR-2B)		Mini Z8	574762 R	159,00	
H					
HASTINIK Hastinik/Hitpress		M 15		578312	170,00
		M 18		578314	170,00
	M 22		578316	170,00	
	M 28		578318	170,00	
	M 35		578390	206,00	
	M 15 S (PR-2B)	Mini Z8	574738 R	144,00	
	M 18 S (PR-2B)	Mini Z8	574740 R	144,00	
	M 22 S (PR-2B)	Mini Z8	574742 R	144,00	
	M 28 S (PR-2B)	Mini Z8	574744 R	144,00	
	M 35 S (PR-2B)	Mini Z8	574746 R	159,00	
heima24	TH 16		578352 R	205,00	
	TH 20		578358 R	205,00	
	TH 26		578362 R	205,00	
	TH 32		578364	205,00	
	TH 40		578624	272,00	
	TH 16 S (PR-2B)**	Mini Z8	574782 R	144,00	
	TH 20 S (PR-2B)**	Mini Z8	574788 R	144,00	
	TH 26 S (PR-2B)**	Mini Z8	574794 R	144,00	
	TH 32 S (PR-2B)	Mini Z8	574798 R	159,00	
	U 16		578374	192,00	
	U 20		578378	192,00	
	U 32		578382	225,00	
	HELIROMA Klimapress	U 16		578374	192,00
U 20			578378	192,00	
U 25			578380	192,00	
U 32			578382	225,00	
U 40			578386	274,00	
HELIROMA Klimapress PPSU	U 16		578374	192,00	
	U 20		578378	192,00	
	U 25		578380	192,00	
	U 32		578382	225,00	
Henco	TH 14		578348	205,00	
	TH 16		578352 R	205,00	
	TH 18		578356	205,00	
	TH 20		578358 R	205,00	
	TH 26		578362 R	205,00	
	HE 32		578370 R	245,00	

System	Pressing tongs Mini/pressing rings	Drive with adapter tongs	Art.-No.	€
Herotec tempusPRESS PLUS	H 16		578400	185,00
	H 20		578406	185,00
	H 25		578408	185,00
	H 32		578412	185,00
	RFz 16		578492	214,00
	RFz 20		578494	214,00
	RFz 25		578496	214,00
	RFz 32		578498	214,00
	TH 16		578352 R	205,00
	TH 20		578358 R	205,00
	TH 25		578360	205,00
	TH 32		578364	205,00
	TH 40		578624	272,00
	TH 16 S (PR-2B)**	Mini Z8	574782 R	144,00
	TH 20 S (PR-2B)**	Mini Z8	574788 R	144,00
	TH 25 S (PR-2B)**	Mini Z8	574792 R	144,00
	TH 32 S (PR-2B)	Mini Z8	574798 R	159,00
	U 16		578374	192,00
	U 20		578378	192,00
	U 25		578380	192,00
U 32		578382	225,00	
U 40		578386	274,00	
Herotec tempusPRESS PLUS PPSU	H 16		578400	185,00
	H 20		578406	185,00
	H 25		578408	185,00
	H 32		578412	185,00
	TH 16		578352 R	205,00
	TH 20		578358 R	205,00
	TH 25		578360	205,00
	TH 32		578364	205,00
	TH 40		578624	272,00
	TH 16 S (PR-2B)**	Mini Z8	574782 R	144,00
	TH 20 S (PR-2B)**	Mini Z8	574788 R	144,00
	TH 25 S (PR-2B)**	Mini Z8	574792 R	144,00
	TH 32 S (PR-2B)	Mini Z8	574798 R	159,00
U 16		578374	192,00	
U 20		578378	192,00	
U 25		578380	192,00	
U 32		578382	225,00	
U 40		578386	274,00	
HERZ PIPEFIX	TH 10		578342	205,00
	TH 16		578352 R	205,00
	TH 20		578358 R	205,00
	TH 26		578362 R	205,00
	TH 32		578364	205,00
	TH 40		578624	272,00
	TH 10 S (PR-2B)**	Mini Z8	574772 R	144,00
	TH 16 S (PR-2B)**	Mini Z8	574782 R	144,00
	TH 20 S (PR-2B)**	Mini Z8	574788 R	144,00
	TH 26 S (PR-2B)**	Mini Z8	574794 R	144,00
TH 32 S (PR-2B)**	Mini Z8	574798 R	159,00	
HIDRONIX MULTIGAS	TH 16		578352 R	205,00
	TH 20		578358 R	205,00
	TH 26		578362 R	205,00
	TH 32		578364	205,00
	TH 40		578624	272,00
HIDRONIX MULTIPIPE	TH 14		578348	205,00
	TH 16		578352 R	205,00
	TH 20		578358 R	205,00
	TH 26		578362 R	205,00
	TH 32		578364	205,00
	H 14		578398	185,00
	H 16		578400	185,00
	H 18		578404	185,00
	H 20		578406	185,00
	H 26		578410	185,00
	H 32		578412	185,00
	U 14		578372	202,00
	U 16		578374	192,00
U 18		578376	192,00	
U 20		578378	192,00	
U 26 ^o		578392	225,00	
U 32		578382	225,00	
HIDRONIX UNICO	TH 14		578348	205,00
	TH 16		578352 R	205,00
	TH 20		578358 R	205,00
	TH 26		578362 R	205,00
	TH 32		578364	205,00
	H 14		578398	185,00
	H 16		578400	185,00
	H 18		578404	185,00
	H 20		578406	185,00
	H 26		578410	185,00
	H 32		578412	185,00
	U 14		578372	202,00
	U 16		578374	192,00
U 18		578376	192,00	
U 20		578378	192,00	
U 26 ^o		578392	225,00	
U 32		578382	225,00	
HITEC Sistema Multistrato	TH 14		578348	205,00
	TH 16		578352 R	205,00
	TH 18		578356	205,00
	TH 20		578358 R	205,00
	TH 26		578362 R	205,00
	TH 32		578364	205,00
	TH 40		578624	272,00
	TH 14 S (PR-2B)**	Mini Z8	574778 R	144,00
	TH 16 S (PR-2B)**	Mini Z8	574782 R	144,00
	TH 18 S (PR-2B)**	Mini Z8	574786 R	144,00
	TH 20 S (PR-2B)**	Mini Z8	574788 R	144,00
	TH 26 S (PR-2B)**	Mini Z8	574794 R	144,00
	TH 32 S (PR-2B)	Mini Z8	574798 R	159,00
HITHERM-ISOTUBI NUMEPRESS	M 15		578312	170,00
	M 18		578314	170,00
	M 22		578316	170,00
	M 28		578318	170,00
	M 35		578390	206,00
	M 15 S (PR-2B)	Mini Z8	574738 R	144,00
	M 18 S (PR-2B)	Mini Z8	574740 R	144,00

System	Pressing tongs Mini/pressing rings	Drive with adapter tongs	Art.-No.	€
HITHERM-ISOTUBI HTpress	M 15		578312	170,00
	M 18		578314	170,00
	M 22		578316	170,00
	M 28		578318	170,00
	M 35		578390	206,00
	M 15 S (PR-2B)	Mini Z8	574738 R	144,00
	M 18 S (PR-2B)	Mini Z8	574740 R	144,00
	M 22 S (PR-2B)	Mini Z8	574742 R	144,00
	M 28 S (PR-2B)	Mini Z8	574744 R	144,00
	M 35 S (PR-2B)	Mini Z8	574746 R	159,00
HITHERM-ISOTUBI HTfire	M 15		578312	170,00
	M 18		578314	170,00
	M 22		578316	170,00
	M 28		578318	170,00
	M 35		578390	206,00
	M 15 S (PR-2B)	Mini Z8	574738 R	144,00
	M 18 S (PR-2B)	Mini Z8	574740 R	144,00
	M 22 S (PR-2B)	Mini Z8	574742 R	144,00
	M 28 S (PR-2B)	Mini Z8	574744 R	144,00
	M 35 S (PR-2B)	Mini Z8	574746 R	159,00
HITHERM-ISOTUBI HTair	M 15		578312	170,00
	M 18		578314	170,00
	M 22		578316	170,00
	M 28		578318	170,00
	M 35		578390	206,00
	M 15 S (PR-2B)	Mini Z8	574738 R	144,00
	M 18 S (PR-2B)	Mini Z8	574740 R	144,00
	M 22 S (PR-2B)	Mini Z8	574742 R	144,00
	M 28 S (PR-2B)	Mini Z8	574744 R	144,00
	M 35 S (PR-2B)	Mini Z8	574746 R	159,00
Hopewell press fit system	M 15		578312	170,00
	M 18		578314	170,00
	M 22		578316	170,00
	M 28		578318	170,00
	M 35		578390	206,00
hp praski BAVARIA-press	TH 10		578342	205,00
	TH 12		578346	205,00
	TH 14		578348	205,00
	TH 16		578352 R	205,00
	TH 17		578354	205,00
	TH 20		578358 R	205,00
	TH 25		578360	205,00
	TH 26		578362 R	205,00
	TH 32		578364	205,00
	TH 40		578624	272,00
	TH 10 S (PR-2B)**	Mini Z8	574772 R	144,00
	TH 12 S (PR-2B)**	Mini Z8	574776 R	144,00
	TH 14 S (PR-2B)**	Mini Z8	574778 R	144,00
	TH 16 S (PR-2B)**	Mini Z8	574782 R	144,00
	TH 17 S (PR-2B)**	Mini Z8	574784 R	144,00
	TH 20 S (PR-2B)**	Mini Z8	574788 R	144,00
	TH 25 S (PR-2B)**	Mini Z8	574792 R	144,00
	TH 26 S (PR-2B)**	Mini Z8	574794 R	144,00
	TH 32 S (PR-2B)	Mini Z8	574798 R	159,00
	I			
ICMA Sempitger	H 16		578400	185,00
	H 20		578406	185,00
	H 25		578408	185,00
	H 26		578410	185,00
	H 32		578412	185,00
	TH 16		578352 R	205,00
	TH 20		578358 R	205,00
	TH 25		578360	205,00
	TH 26		578362 R	205,00
	TH 32		578364	205,00
	TH 40		578624	272,00
	TH 16 S (PR-2B)**	Mini Z8	574782 R	144,00
	TH 20 S (PR-2B)**	Mini Z8	574788 R	144,00
	TH 26 S (PR-2B)**	Mini Z8	574794 R	144,00
	TH 32 S (PR-2B)	Mini Z8	574798 R	159,00
	U 16		578374	192,00
	U 20		578378	192,00
	U 25		578380	192,00
	U 26 ⁷⁾		578392	225,00
	U 32		578382	225,00
U 40		578386	274,00	

System	Pressing tongs Mini/pressing rings	Drive with adapter tongs	Art.-No.	€
ICMA Sempigas	TH 16		578352 R	205,00
	TH 20		578358 R	205,00
	TH 25		578360	205,00
	TH 26		578362 R	205,00
	TH 32		578364	205,00
	TH 16 S (PR-2B)**	Mini Z8	574782 R	144,00
	TH 20 S (PR-2B)**	Mini Z8	574788 R	144,00
	TH 26 S (PR-2B)**	Mini Z8	574794 R	144,00
	TH 32 S (PR-2B)	Mini Z8	574798 R	159,00
	Idrosanitaria Bonomi Homegas	TH 16		578352 R
TH 20			578358 R	205,00
TH 26			578362 R	205,00
TH 16 S (PR-2B)**		Mini Z8	574782 R	144,00
TH 20 S (PR-2B)**		Mini Z8	574788 R	144,00
Idrosanitaria Bonomi Idropress	TH 16		578352 R	205,00
	TH 18		578356	205,00
	TH 20		578358 R	205,00
	TH 26		578362 R	205,00
	TH 32		578364	205,00
	TH 40		578624	272,00
	TH 16 S (PR-2B)**	Mini Z8	574782 R	144,00
	TH 20 S (PR-2B)**	Mini Z8	574788 R	144,00
	TH 26 S (PR-2B)**	Mini Z8	574794 R	144,00
	TH 32 S (PR-2B)	Mini Z8	574798 R	159,00
IDROSISTEMI Ta-Press	TH 16		578352 R	205,00
	TH 20		578358 R	205,00
	TH 26		578362 R	205,00
	TH 32		578364	205,00
	TH 40		578624	272,00
	TH 16 S (PR-2B)**	Mini Z8	574782 R	144,00
	TH 20 S (PR-2B)**	Mini Z8	574788 R	144,00
	TH 26 S (PR-2B)**	Mini Z8	574794 R	144,00
	TH 32 S (PR-2B)	Mini Z8	574798 R	159,00
	F 16		578456	195,00
F 20		578460	195,00	
F 26		578462	211,00	
F 32		578464	211,00	
F 16 S (PR-2B)**	Mini Z8	574728 R	144,00	
F 20 S (PR-2B)**	Mini Z8	574730 R	144,00	
F 26 S (PR-2B)**	Mini Z8	574732 R	144,00	
F 32 S (PR-2B)	Mini Z8	574734 R	159,00	
Fz 40		578478	286,00	
H 16		578400	185,00	
H 20		578406	185,00	
H 26		578410	185,00	
H 32		578412	185,00	
U 16		578374	192,00	
U 20		578378	192,00	
U 26 ⁷⁾		578392	225,00	
U 32		578382	225,00	
U 40		578386	274,00	
IDROTRADE Storm Multipinza	H 16		578400	185,00
	H 20		578406	185,00
	H 26		578410	185,00
	H 32		578412	185,00
	TH 16		578352 R	205,00
	TH 20		578358 R	205,00
	TH 26		578362 R	205,00
	TH 32		578364	205,00
	THL 32		578368	205,00
	TH 40		578624	272,00
TH 16 S (PR-2B)**	Mini Z8	574782 R	144,00	
TH 20 S (PR-2B)**	Mini Z8	574788 R	144,00	
TH 26 S (PR-2B)**	Mini Z8	574794 R	144,00	
TH 32 S (PR-2B)	Mini Z8	574798 R	159,00	
U 16		578374	192,00	
U 20		578378	192,00	
IDROTRADE StormPRES ⁹⁾	M 15		578312	170,00
	M 18		578314	170,00
	M 22		578316	170,00
	M 28		578318	170,00
	M 35		578390	206,00
	M 15 S (PR-2B)	Mini Z8	574738 R	144,00
	M 18 S (PR-2B)	Mini Z8	574740 R	144,00
	M 22 S (PR-2B)	Mini Z8	574742 R	144,00
	M 28 S (PR-2B)	Mini Z8	574744 R	144,00
	M 35 S (PR-2B)	Mini Z8	574746 R	159,00

Pressfitting systems for gas installations may only be pressed with the pressing tongs Mini which are highlighted in yellow in the table.

Observe the national regulations. Read and observe the system provider's/manufacturer's instructions for use and assembly instructions.

** Can also be driven by the ROLLER'S Easy-Press manual radial press using the Z8 adapter tongs, see page 90. Observe the national regulations.

¹⁾ Only pressing tongs from designation "108" (1st quarter of 2008), "208" (2nd quarter of 2008) etc. can be used. The designation is stamped on every pressing jaw.

²⁾ For accommodating suitable pressing inserts.

³⁾ Only pressing tongs from designation "117" (1st quarter of 201), "217" (2nd quarter of 2017) etc. can be used. The designation is stamped on every pressing jaw.

⁴⁾ For pipes with the EN technical standard. Observe the system provider's/manufacturer's instructions for use.

⁵⁾ Only use Mini pressing tongs identified by "VMP 1/2" G" on the pressing jaws for gas installations.

⁷⁾ Previous designation: Mini C 26 pressing tongs

⁹⁾ For pipes with the ASTM technical standard. Observe the system provider's/manufacturer's instructions for use.

Suitability of the ROLLER'S pressing tools for pressfitting systems: Status 27.10.2023. The current status can be found on the Internet: www.albert-roller.de → Downloads → Product Catalogues, Brochures → ROLLER Catalogue.

See page 79 for adapter tongs. Pressing tongs/pressing rings for other press fitting systems on request.

System	Pressing tongs Mini/pressing rings	Drive with adapter tongs	Art.-No.	€	
Redi Nicoll Fluxo Gas	TH 16		578352 R	205,00	
	TH 20		578358 R	205,00	
	TH 26		578362 R	205,00	
	TH 16 S (PR-2B)**	Mini Z8	574782 R	144,00	
	TH 20 S (PR-2B)**	Mini Z8	574788 R	144,00	
	TH 26 S (PR-2B)**	Mini Z8	574794 R	144,00	
RIFENG LD	LD 16		578652	212,00	
PRESS FITTING (F8)	LD 20		578654	212,00	
	LD 25		578656	212,00	
	U 14		578372	202,00	
RIFENG U PRESS FITTING (F5)	U 16		578374	192,00	
	U 18		578376	192,00	
	U 20		578378	192,00	
	U 25		578380	192,00	
	U 32		578382	225,00	
	U 40		578386	274,00	
RIFENG TH	TH 16		578352 R	205,00	
PRESS FITTING (F9)	TH 20		578358 R	205,00	
	TH 25		578360	205,00	
	TH 26		578362 R	205,00	
	TH 32		578364	205,00	
	TH 40		578624	272,00	
	RFz 12		578490	214,00	
RIQUIER A SERTIR	RFz 16		578492	214,00	
	RFz 20		578494	214,00	
	RFz 25		578496	214,00	
	TH 16		578352 R	205,00	
RIQUIER Système multicouche	TH 20		578358 R	205,00	
	TH 26		578362 R	205,00	
	TH 32		578364	205,00	
	TH 40		578624	272,00	
	TH 16 S (PR-2B)**	Mini Z8	574782 R	144,00	
	TH 20 S (PR-2B)**	Mini Z8	574788 R	144,00	
	TH 26 S (PR-2B)**	Mini Z8	574794 R	144,00	
	TH 32 S (PR-2B)	Mini Z8	574798 R	159,00	
	U 16		578374	192,00	
	U 20		578378	192,00	
	U 32		578382	225,00	
	U 40		578386	274,00	
	Roth PressCheck	RN 14		578434	192,00
RN 16			578454	192,00	
RN 17			578436	192,00	
RN 20			578438	192,00	
RN 25/26			578440	192,00	
RN 32			578442	225,00	
Rubinetterie	M 15		578312	170,00	
Bresciane	M 18		578314	170,00	
Bonomi	M 22		578316	170,00	
TURBO CuNi	M 28		578318	170,00	
	M 35		578390	206,00	
	M 15 S (PR-2B)	Mini Z8	574738 R	144,00	
	M 18 S (PR-2B)	Mini Z8	574740 R	144,00	
	M 22 S (PR-2B)	Mini Z8	574742 R	144,00	
	M 28 S (PR-2B)	Mini Z8	574744 R	144,00	
	M 35 S (PR-2B)	Mini Z8	574746 R	159,00	
	Rubinetterie	M 15		578312	170,00
	Bresciane	M 18		578314	170,00
	Bonomi	M 22		578316	170,00
TURBO INOX	M 28		578318	170,00	
	M 35		578390	206,00	
	M 15 S (PR-2B)	Mini Z8	574738 R	144,00	
	M 18 S (PR-2B)	Mini Z8	574740 R	144,00	
	M 22 S (PR-2B)	Mini Z8	574742 R	144,00	
	M 28 S (PR-2B)	Mini Z8	574744 R	144,00	
	M 35 S (PR-2B)	Mini Z8	574746 R	159,00	
	Rubinetterie	M 15		578312	170,00
Bresciane	M 18		578314	170,00	
Bonomi	M 22		578316	170,00	
TURBO INOX GAS	M 28		578318	170,00	
	M 35		578390	206,00	
	M 15 S (PR-2B)	Mini Z8	574738 R	144,00	
	M 18 S (PR-2B)	Mini Z8	574740 R	144,00	
	M 22 S (PR-2B)	Mini Z8	574742 R	144,00	
	M 28 S (PR-2B)	Mini Z8	574744 R	144,00	
	M 35 S (PR-2B)	Mini Z8	574746 R	159,00	

System	Pressing tongs Mini/pressing rings	Drive with adapter tongs	Art.-No.	€
Rubinetterie	M 15		578312	170,00
Bresciane	M 18		578314	170,00
Bonomi	M 22		578316	170,00
TURBO STEEL	M 28		578318	170,00
	M 35		578390	206,00
	M 15 S (PR-2B)	Mini Z8	574738 R	144,00
	M 18 S (PR-2B)	Mini Z8	574740 R	144,00
	M 22 S (PR-2B)	Mini Z8	574742 R	144,00
	M 28 S (PR-2B)	Mini Z8	574744 R	144,00
M 35 S (PR-2B)	Mini Z8	574746 R	159,00	
Rubinetterie	B 14		578466	224,00
Bresciane	B 16		578468	224,00
Bonomi	B 18		578470	224,00
TURBO PRESS	B 20		578472	224,00
	B 26		578474	247,00
	B 32		578476	247,00
	H 14		578398	185,00
	H 16		578400	185,00
	H 18		578406	185,00
	H 20		578410	185,00
	H 26		578412	185,00
	H 32		578412	185,00
	TH 14		578348	205,00
	TH 16		578352 R	205,00
	TH 18		578356	205,00
	TH 20		578358 R	205,00
	TH 26		578362 R	205,00
	TH 32		578364	205,00
	TH 40		578624	272,00
	TH 16 S (PR-2B)**	Mini Z8	574782 R	144,00
	TH 20 S (PR-2B)**	Mini Z8	574788 R	144,00
	TH 26 S (PR-2B)**	Mini Z8	574794 R	144,00
	TH 32 S (PR-2B)	Mini Z8	574798 R	159,00
	U 14		578372	202,00
	U 16		578374	192,00
U 18		578376	192,00	
U 20		578378	192,00	
U 26 ⁹⁾		578392	225,00	
U 32		578382	225,00	
Rubinetterie	TH 16		578352 R	205,00
Bresciane	TH 20		578358 R	205,00
Bonomi	TH 26		578362 R	205,00
TURBO PRESS GAS	TH 32		578364	205,00
	TH 16 S (PR-2B)**	Mini Z8	574782 R	144,00
	TH 20 S (PR-2B)**	Mini Z8	574788 R	144,00
	TH 26 S (PR-2B)**	Mini Z8	574794 R	144,00
	TH 32 S (PR-2B)	Mini Z8	574798 R	159,00
S				
SA.MI PLASTIC	TH 14		578348	205,00
	TH 16		578352 R	205,00
	TH 18		578356	205,00
	TH 20		578358 R	205,00
	TH 26		578362 R	205,00
	TH 32		578364	205,00
	TH 40		578624	272,00
	TH 14 S (PR-2B)**	Mini Z8	574778 R	144,00
	TH 16 S (PR-2B)**	Mini Z8	574782 R	144,00
	TH 18 S (PR-2B)**	Mini Z8	574786 R	144,00
	TH 20 S (PR-2B)**	Mini Z8	574788 R	144,00
TH 26 S (PR-2B)**	Mini Z8	574794 R	144,00	
TH 32 S (PR-2B)	Mini Z8	574798 R	159,00	
SA.MI PLASTIC Multistrato Gas	TH 16		578352 R	205,00
	TH 20		578358 R	205,00
	TH 26		578362 R	205,00
	TH 32		578364	205,00
	TH 16 S (PR-2B)**	Mini Z8	574782 R	144,00
	TH 20 S (PR-2B)**	Mini Z8	574788 R	144,00
	TH 26 S (PR-2B)**	Mini Z8	574794 R	144,00
	TH 32 S (PR-2B)	Mini Z8	574798 R	159,00

Pressfitting systems for gas installations may only be pressed with the pressing tongs Mini which are highlighted in yellow in the table.

Observe the national regulations. Read and observe the system provider's/manufacturer's instructions for use and assembly instructions.

** Can also be driven by the ROLLER'S Easy-Press manual radial press using the Z8 adapter tongs, see page 90. Observe the national regulations.

¹⁾ Only pressing tongs from designation "108" (1st quarter of 2008), "208" (2nd quarter of 2008) etc. can be used. The designation is stamped on every pressing jaw.

²⁾ For accommodating suitable pressing inserts.

³⁾ Only pressing tongs from designation "117" (1st quarter of 201), "217" (2nd quarter of 2017) etc. can be used. The designation is stamped on every pressing jaw.

⁴⁾ For pipes with the EN technical standard. Observe the system provider's/manufacturer's instructions for use.

⁵⁾ Only use Mini pressing tongs identified by "VMP 1/2" G" on the pressing jaws for gas installations.

⁷⁾ Previous designation: Mini C 26 pressing tongs

⁹⁾ For pipes with the ASTM technical standard. Observe the system provider's/manufacturer's instructions for use.

Suitability of the ROLLER'S pressing tools for pressfitting systems: Status 27.10.2023. The current status can be found on the Internet:

www.albert-roller.de → Downloads → Product Catalogues, Brochures → ROLLER Catalogue.

See page 79 for adapter tongs. Pressing tongs/pressing rings for other press fitting systems on request.

ROLLER'S pressing tongs Mini / pressing rings

Accessory for ROLLER'S 22kN radial presses

System	Pressing tongs Mini/pressing rings	Drive with adapter tongs	Art.-No.	€
SANHA	B 16		578468	224,00
3fit-Press Pb-free	B 20		578472	224,00
Serie 25000	B 26		578474	247,00
	B 32		578476	247,00
	F 16		578456	195,00
	F 20		578460	195,00
	F 26		578462	211,00
	F 32		578464	211,00
	Fz 40		578478	286,00
	F 16 S (PR-2B)**	Mini Z8	574728 R	144,00
	F 20 S (PR-2B)**	Mini Z8	574730 R	144,00
	F 26 S (PR-2B)**	Mini Z8	574732 R	144,00
	F 32 S (PR-2B)	Mini Z8	574734 R	159,00
	H 16		578400	185,00
	H 20		578406	185,00
	H 26		578410	185,00
	H 32		578412	185,00
	TH 16		578352 R	205,00
	TH 20		578358 R	205,00
	TH 26		578362 R	205,00
	TH 32		578364	205,00
	TH 40		578624	272,00
	TH 16 S (PR-2B)**	Mini Z8	574782 R	144,00
	TH 20 S (PR-2B)**	Mini Z8	574788 R	144,00
	TH 26 S (PR-2B)**	Mini Z8	574794 R	144,00
	TH 32 S (PR-2B)	Mini Z8	574798 R	159,00
	U 16		578374	192,00
	U 20		578378	192,00
	U 26 ⁷⁾		578392	225,00
	U 32		578382	225,00
	U 40		578386	274,00
SANHA	B 16		578468	224,00
3fit-Press PPSU	B 20		578472	224,00
Serie 35000	B 26		578474	247,00
	B 32		578476	247,00
	F 16		578456	195,00
	F 20		578460	195,00
	F 26		578462	211,00
	F 32		578464	211,00
	F 16 S (PR-2B)**	Mini Z8	574728 R	144,00
	F 20 S (PR-2B)**	Mini Z8	574730 R	144,00
	F 26 S (PR-2B)**	Mini Z8	574732 R	144,00
	F 32 S (PR-2B)	Mini Z8	574734 R	159,00
	H 16		578400	185,00
	H 20		578406	185,00
	H 26		578410	185,00
	H 32		578412	185,00
	TH 16		578352 R	205,00
	TH 20		578358 R	205,00
	TH 26		578362 R	205,00
	TH 32		578364	205,00
	TH 16 S (PR-2B)**	Mini Z8	574782 R	144,00
	TH 20 S (PR-2B)**	Mini Z8	574788 R	144,00
	TH 26 S (PR-2B)**	Mini Z8	574794 R	144,00
	TH 32 S (PR-2B)	Mini Z8	574798 R	159,00
	U 16		578374	192,00
	U 20		578378	192,00
	U 26 ⁷⁾		578392	225,00
	U 32		578382	225,00
SANHA	VMP ½" G (OD 21,3 mm)		578666 R	236,00
Heavy Steel Press	VMPz ¾" (OD 26,9 mm)		578664	236,00
SANHA	VMP ½" G (OD 21,3 mm) ⁶⁾		578666 R	236,00
Heavy Steel Press Gas	VMPz ¾" (OD 26,9 mm)		578664	236,00
SANHA-NiroSan	SA 15		578514	204,00
Gas Presssystem	SA 18		578518	204,00
Serie 17000	SA 22		578520	204,00
	SA 28		578522	204,00
	M 15 ¹⁾		578312	170,00
	M 18 ¹⁾		578314	170,00
	M 22 ¹⁾		578316	170,00
	M 28		578318	170,00
	M 35		578390	206,00
	M 15 S (PR-2B)	Mini Z8	574738 R	144,00
	M 18 S (PR-2B)	Mini Z8	574740 R	144,00
	M 22 S (PR-2B)	Mini Z8	574742 R	144,00
	M 28 S (PR-2B)	Mini Z8	574744 R	144,00
	M 35 S (PR-2B)	Mini Z8	574746 R	159,00
	V 15 ¹⁾		578328	170,00
	V 18 ¹⁾		578332	170,00
	V 22 ¹⁾		578334	170,00
	V 28		578336	170,00
	V 35		578604	206,00
	V 15 S (PR-2B)	Mini Z8	574752 R	144,00
	V 18 S (PR-2B)	Mini Z8	574756 R	144,00
	V 22 S (PR-2B)	Mini Z8	574758 R	144,00
	V 28 S (PR-2B)	Mini Z8	574760 R	144,00
	V 35 S (PR-2B)	Mini Z8	574762 R	159,00

System	Pressing tongs Mini/pressing rings	Drive with adapter tongs	Art.-No.	€
SANHA-NiroSan	SA 15		578514	204,00
Industry	SA 18		578518	204,00
Presssystem	SA 22		578520	204,00
Serie 18000	SA 28		578522	204,00
	M 15 ¹⁾		578312	170,00
	M 18 ¹⁾		578314	170,00
	M 22 ¹⁾		578316	170,00
	M 28		578318	170,00
	M 35		578390	206,00
	M 15 S (PR-2B)	Mini Z8	574738 R	144,00
	M 18 S (PR-2B)	Mini Z8	574740 R	144,00
	M 22 S (PR-2B)	Mini Z8	574742 R	144,00
	M 28 S (PR-2B)	Mini Z8	574744 R	144,00
	M 35 S (PR-2B)	Mini Z8	574746 R	159,00
	V 15 ¹⁾		578328	170,00
	V 18 ¹⁾		578332	170,00
	V 22 ¹⁾		578334	170,00
	V 28		578336	170,00
	V 35		578604	206,00
	V 15 S (PR-2B)	Mini Z8	574752 R	144,00
	V 18 S (PR-2B)	Mini Z8	574756 R	144,00
	V 22 S (PR-2B)	Mini Z8	574758 R	144,00
	V 28 S (PR-2B)	Mini Z8	574760 R	144,00
	V 35 S (PR-2B)	Mini Z8	574762 R	159,00
SANHA-NiroSan-Presssystem	SA 15		578514	204,00
Serie 9000	SA 18		578518	204,00
	SA 22		578520	204,00
	SA 28		578522	204,00
	M 15 ¹⁾		578312	170,00
	M 18 ¹⁾		578314	170,00
	M 22 ¹⁾		578316	170,00
	M 28		578318	170,00
	M 35		578390	206,00
	M 15 S (PR-2B)	Mini Z8	574738 R	144,00
	M 18 S (PR-2B)	Mini Z8	574740 R	144,00
	M 22 S (PR-2B)	Mini Z8	574742 R	144,00
	M 28 S (PR-2B)	Mini Z8	574744 R	144,00
	M 35 S (PR-2B)	Mini Z8	574746 R	159,00
	V 15 ¹⁾		578328	170,00
	V 18 ¹⁾		578332	170,00
	V 22 ¹⁾		578334	170,00
	V 28		578336	170,00
	V 35		578604	206,00
	V 15 S (PR-2B)	Mini Z8	574752 R	144,00
	V 18 S (PR-2B)	Mini Z8	574756 R	144,00
	V 22 S (PR-2B)	Mini Z8	574758 R	144,00
	V 28 S (PR-2B)	Mini Z8	574760 R	144,00
	V 35 S (PR-2B)	Mini Z8	574762 R	159,00
SANHA-NiroSan-SF Presssystem	SA 15		578514	204,00
Serie 19000 (silicone free)	SA 18		578518	204,00
	SA 22		578520	204,00
	SA 28		578522	204,00
	M 15 ¹⁾		578312	170,00
	M 18 ¹⁾		578314	170,00
	M 22 ¹⁾		578316	170,00
	M 28		578318	170,00
	M 35		578390	206,00
	M 15 S (PR-2B)	Mini Z8	574738 R	144,00
	M 18 S (PR-2B)	Mini Z8	574740 R	144,00
	M 22 S (PR-2B)	Mini Z8	574742 R	144,00
	M 28 S (PR-2B)	Mini Z8	574744 R	144,00
	M 35 S (PR-2B)	Mini Z8	574746 R	159,00
	V 15 ¹⁾		578328	170,00
	V 18 ¹⁾		578332	170,00
	V 22 ¹⁾		578334	170,00
	V 28		578336	170,00
	V 35		578604	206,00
	V 15 S (PR-2B)	Mini Z8	574752 R	144,00
	V 18 S (PR-2B)	Mini Z8	574756 R	144,00
	V 22 S (PR-2B)	Mini Z8	574758 R	144,00
	V 28 S (PR-2B)	Mini Z8	574760 R	144,00
	V 35 S (PR-2B)	Mini Z8	574762 R	159,00
SANHA	SA 15		578514	204,00
NiroTherm	SA 18		578518	204,00
Serie 91000	SA 22		578520	204,00
	SA 28		578522	204,00
	M 15 ¹⁾		578312	170,00
	M 18 ¹⁾		578314	170,00
	M 22 ¹⁾		578316	170,00
	M 28		578318	170,00
	M 35		578390	206,00
	M 15 S (PR-2B)	Mini Z8	574738 R	144,00
	M 18 S (PR-2B)	Mini Z8	574740 R	144,00
	M 22 S (PR-2B)	Mini Z8	574742 R	144,00
	M 28 S (PR-2B)	Mini Z8	574744 R	144,00
	M 35 S (PR-2B)	Mini Z8	574746 R	159,00
	V 15 ¹⁾		578328	170,00
	V 18 ¹⁾		578332	170,00
	V 22 ¹⁾		578334	170,00
	V 28		578336	170,00
	V 35		578604	206,00
	V 15 S (PR-2B)	Mini Z8	574752 R	144,00
	V 18 S (PR-2B)	Mini Z8	574756 R	144,00
	V 22 S (PR-2B)	Mini Z8	574758 R	144,00
	V 28 S (PR-2B)	Mini Z8	574760 R	144,00
	V 35 S (PR-2B)	Mini Z8	574762 R	159,00

System	Pressing tongs Mini/pressing rings	Drive with adapter tongs	Art.-No.	€	System	Pressing tongs Mini/pressing rings	Drive with adapter tongs	Art.-No.	€
SANHA NiroTherm Industry Serie 98000	SA 15		578514	204,00	SANHA-Press Pressfittings Serie 6000	SA 12		578510	297,00
	SA 18		578518	204,00		SA 14		578512	297,00
	SA 22		578520	204,00		SA 15		578514	204,00
	SA 28		578522	204,00		SA 16		578516	204,00
	M 15 ¹⁾		578312	170,00		SA 18		578518	204,00
	M 18 ¹⁾		578314	170,00		SA 22		578520	204,00
	M 22 ¹⁾		578316	170,00		SA 28		578522	204,00
	M 28		578318	170,00		M 12		578310	170,00
	M 35		578390	206,00		M 15 ¹⁾		578312	170,00
	M 15 S (PR-2B)	Mini Z8	574738 R	144,00		M 18 ¹⁾		578314	170,00
	M 18 S (PR-2B)	Mini Z8	574740 R	144,00		M 22 ¹⁾		578316	170,00
	M 22 S (PR-2B)	Mini Z8	574742 R	144,00		M 28		578318	170,00
	M 28 S (PR-2B)	Mini Z8	574744 R	144,00		M 35		578390	206,00
	M 35 S (PR-2B)	Mini Z8	574746 R	159,00		M 12 S (PR-2B)	Mini Z8	574736 R	144,00
	V 15 ¹⁾		578328	170,00		M 15 S (PR-2B)	Mini Z8	574738 R	144,00
	V 18 ¹⁾		578332	170,00		M 18 S (PR-2B)	Mini Z8	574740 R	144,00
	V 22 ¹⁾		578334	170,00		M 22 S (PR-2B)	Mini Z8	574742 R	144,00
	V 28		578336	170,00		M 28 S (PR-2B)	Mini Z8	574744 R	144,00
	V 35		578604	206,00		M 35 S (PR-2B)	Mini Z8	574746 R	159,00
	V 15 S (PR-2B)	Mini Z8	574752 R	144,00		V 12		578324	170,00
	V 18 S (PR-2B)	Mini Z8	574756 R	144,00		V 14		578326	170,00
	V 22 S (PR-2B)	Mini Z8	574758 R	144,00		VG 14		578338	170,00
	V 28 S (PR-2B)	Mini Z8	574760 R	144,00		V 15 ¹⁾		578328	170,00
	V 35 S (PR-2B)	Mini Z8	574762 R	159,00		V 16		578330	170,00
SA 12		578510	297,00	VG 16		578340	170,00		
SA 15		578514	204,00	V 18 ¹⁾		578332	170,00		
SA 18		578518	204,00	V 22 ¹⁾		578334	170,00		
SA 22		578520	204,00	V 28		578336	170,00		
SA 28		578522	204,00	V 35		578604	206,00		
M 12		578310	170,00	V 12 S (PR-2B)	Mini Z8	574748 R	144,00		
M 15 ¹⁾		578312	170,00	VG 14 S (PR-2B)	Mini Z8	574750 R	144,00		
M 18 ¹⁾		578314	170,00	V 15 S (PR-2B)	Mini Z8	574752 R	144,00		
M 22 ¹⁾		578316	170,00	VG 16 S (PR-2B)	Mini Z8	574754 R	144,00		
M 28		578318	170,00	V 18 S (PR-2B)	Mini Z8	574756 R	144,00		
M 12 S (PR-2B)	Mini Z8	574736 R	144,00	V 22 S (PR-2B)	Mini Z8	574758 R	144,00		
M 15 S (PR-2B)	Mini Z8	574738 R	144,00	V 28 S (PR-2B)	Mini Z8	574760 R	144,00		
M 18 S (PR-2B)	Mini Z8	574740 R	144,00	V 35 S (PR-2B)	Mini Z8	574762 R	159,00		
M 22 S (PR-2B)	Mini Z8	574742 R	144,00	SA 12		578510	297,00		
M 28 S (PR-2B)	Mini Z8	574744 R	144,00	SOLAR	SA 15	578514	204,00		
V 12		578324	170,00	Pressfittings	SA 18	578518	204,00		
V 15 ¹⁾		578328	170,00	Serie 12000/	SA 22	578520	204,00		
V 18 ¹⁾		578332	170,00	Serie 13000	SA 28	578522	204,00		
V 22 ¹⁾		578334	170,00	M 12		578310	170,00		
V 28		578336	170,00	M 15 ¹⁾		578312	170,00		
V 35		578604	206,00	M 18 ¹⁾		578314	170,00		
V 12 S (PR-2B)	Mini Z8	574736 R	144,00	M 22 ¹⁾		578316	170,00		
VG 14 S (PR-2B)	Mini Z8	574750 R	144,00	M 28		578318	170,00		
V 15 S (PR-2B)	Mini Z8	574752 R	144,00	M 35		578390	206,00		
VG 16 S (PR-2B)	Mini Z8	574754 R	144,00	M 12 S (PR-2B)	Mini Z8	574736 R	144,00		
V 18 S (PR-2B)	Mini Z8	574756 R	144,00	M 15 S (PR-2B)	Mini Z8	574738 R	144,00		
V 22 S (PR-2B)	Mini Z8	574758 R	144,00	M 18 S (PR-2B)	Mini Z8	574740 R	144,00		
V 28 S (PR-2B)	Mini Z8	574760 R	144,00	M 22 S (PR-2B)	Mini Z8	574742 R	144,00		
V 35 S (PR-2B)	Mini Z8	574762 R	159,00	M 28 S (PR-2B)	Mini Z8	574744 R	144,00		
				M 35 S (PR-2B)	Mini Z8	574746 R	159,00		
				V 12		578324	170,00		
				V 14		578326	170,00		
				VG 14		578338	170,00		
				V 15 ¹⁾		578328	170,00		
				V 16		578330	170,00		
				VG 16		578340	170,00		
				V 18 ¹⁾		578332	170,00		
				V 22 ¹⁾		578334	170,00		
				V 28		578336	170,00		
				V 35		578604	206,00		
				V 12 S (PR-2B)	Mini Z8	574748 R	144,00		
				VG 14 S (PR-2B)	Mini Z8	574750 R	144,00		
				V 15 S (PR-2B)	Mini Z8	574752 R	144,00		
				VG 16 S (PR-2B)	Mini Z8	574754 R	144,00		
				V 18 S (PR-2B)	Mini Z8	574756 R	144,00		
				V 22 S (PR-2B)	Mini Z8	574758 R	144,00		
				V 28 S (PR-2B)	Mini Z8	574760 R	144,00		
				V 35 S (PR-2B)	Mini Z8	574762 R	159,00		

Pressfitting systems for gas installations may only be pressed with the pressing tongs Mini which are highlighted in yellow in the table.

Observe the national regulations. Read and observe the system provider's/manufacturer's instructions for use and assembly instructions.

** Can also be driven by the ROLLER'S Easy-Press manual radial press using the Z8 adapter tongs, see page 90. Observe the national regulations.

¹⁾ Only pressing tongs from designation "108" (1st quarter of 2008), "208" (2nd quarter of 2008) etc. can be used. The designation is stamped on every pressing jaw.

²⁾ For accommodating suitable pressing inserts.

³⁾ Only pressing tongs from designation "117" (1st quarter of 201), "217" (2nd quarter of 2017) etc. can be used. The designation is stamped on every pressing jaw.

⁴⁾ For pipes with the EN technical standard. Observe the system provider's/manufacturer's instructions for use.

⁵⁾ Only use Mini pressing tongs identified by "VMP ½" G" on the pressing jaws for gas installations.

⁷⁾ Previous designation: Mini C 26 pressing tongs

⁹⁾ For pipes with the ASTM technical standard. Observe the system provider's/manufacturer's instructions for use.

Suitability of the ROLLER'S pressing tools for pressfitting systems: Status 27.10.2023. The current status can be found on the Internet:

www.albert-roller.de → Downloads → Product Catalogues, Brochures → ROLLER Catalogue.

See page 79 for adapter tongs. Pressing tongs/pressing rings for other press fitting systems on request.

System	Pressing tongs Mini/pressing rings	Drive with adapter tongs	Art.-No.	€	System	Pressing tongs Mini/pressing rings	Drive with adapter tongs	Art.-No.	€	
SANHA	SA 12		578510	297,00	SANITOP	M 15		578312	170,00	
PURAPRESS	SA 14		578512	297,00	PERMATUBO INOX	M 18		578314	170,00	
Serie 8000	SA 15		578514	204,00		M 22		578316	170,00	
	SA 16		578516	204,00		M 28		578318	170,00	
	SA 18		578518	204,00		M 35		578390	206,00	
	SA 22		578520	204,00		M 15 S (PR-2B)	Mini Z8	574738 R	144,00	
	SA 28		578522	204,00		M 18 S (PR-2B)	Mini Z8	574740 R	144,00	
	M 12 ¹⁾		578310	170,00		M 22 S (PR-2B)	Mini Z8	574742 R	144,00	
	M 15 ¹⁾		578312	170,00		M 28 S (PR-2B)	Mini Z8	574744 R	144,00	
	M 18 ¹⁾		578314	170,00		M 35 S (PR-2B)	Mini Z8	574746 R	159,00	
	M 22 ¹⁾		578316	170,00						
	M 28 ¹⁾		578318	170,00		SANPRO	TH 16		578352 R	205,00
	M 35 ¹⁾		578390	206,00		THPRESS	TH 20		578358 R	205,00
	M 12 S (PR-2B)	Mini Z8	574736 R	144,00		TH 26		578362 R	205,00	
	M 15 S (PR-2B)	Mini Z8	574738 R	144,00		TH 32		578364	205,00	
	M 18 S (PR-2B)	Mini Z8	574740 R	144,00		TH 16 S (PR-2B)**	Mini Z8	574782 R	144,00	
	M 22 S (PR-2B)	Mini Z8	574742 R	144,00		TH 20 S (PR-2B)**	Mini Z8	574788 R	144,00	
	M 28 S (PR-2B)	Mini Z8	574744 R	144,00		TH 26 S (PR-2B)**	Mini Z8	574794 R	144,00	
	M 35 S (PR-2B)	Mini Z8	574746 R	159,00		TH 32 S (PR-2B)	Mini Z8	574798 R	159,00	
	V 12		578324	170,00		SATEC SK VITerm	TH 16		578352 R	205,00
	V 14		578326	170,00		TH 18		578356	205,00	
	VG 14		578338	170,00		TH 20		578358 R	205,00	
	V 15 ¹⁾		578328	170,00		TH 26		578362 R	205,00	
	V 16		578330	170,00		TH 32		578364	205,00	
	VG 16		578340	170,00		U 40		578386	274,00	
	V 18 ¹⁾		578332	170,00		SAVEUR REFLEX	TH 16		578352 R	205,00
	V 22 ¹⁾		578334	170,00		PEX Water	TH 20		578358 R	205,00
	V 28		578336	170,00		TH 25		578360	205,00	
	V 35		578604	206,00		TH 32		578364	205,00	
	V 12 S (PR-2B)	Mini Z8	574748 R	144,00		SAVEUR REFLEX	TH 16		578352 R	205,00
	VG 14 S (PR-2B)	Mini Z8	574750 R	144,00		PEX-AL-PEX	TH 20		578358 R	205,00
	V 15 S (PR-2B)	Mini Z8	574752 R	144,00		Gas	TH 25		578360	205,00
	VG 16 S (PR-2B)	Mini Z8	574754 R	144,00		TH 32		578364	205,00	
	V 18 S (PR-2B)	Mini Z8	574756 R	144,00		Schütz	TH 14		578348	205,00
	V 22 S (PR-2B)	Mini Z8	574758 R	144,00		duo-flex	TH 16		578352 R	205,00
	V 28 S (PR-2B)	Mini Z8	574760 R	144,00		tri-o-flex	TH 17		578354	205,00
	V 35 S (PR-2B)	Mini Z8	574762 R	159,00		TH 20		578358 R	205,00	
						TH 25		578360	205,00	
						TH 16 S (PR-2B)**	Mini Z8	574782 R	144,00	
						TH 20 S (PR-2B)**	Mini Z8	574788 R	144,00	
	SANHA-Therm	SA 12		578510	297,00	Schwer Fittings	M 12		578310	170,00
	Serie 24000	SA 15		578514	204,00	AQUApress	M 15		578312	170,00
		SA 18		578518	204,00		M 18		578314	170,00
SA 22			578520	204,00		M 22		578316	170,00	
SA 28			578522	204,00		M 28		578318	170,00	
M 12			578310	170,00		M 35		578390	206,00	
M 15 ¹⁾			578312	170,00		M 12 S (PR-2B)	Mini Z8	574736 R	144,00	
M 18 ¹⁾			578314	170,00		M 15 S (PR-2B)	Mini Z8	574738 R	144,00	
M 22 ¹⁾			578316	170,00		M 18 S (PR-2B)	Mini Z8	574740 R	144,00	
M 28			578318	170,00		M 22 S (PR-2B)	Mini Z8	574742 R	144,00	
M 35			578390	206,00		M 28 S (PR-2B)	Mini Z8	574744 R	144,00	
M 12 S (PR-2B)		Mini Z8	574736 R	144,00		M 35 S (PR-2B)	Mini Z8	574746 R	159,00	
M 15 S (PR-2B)		Mini Z8	574738 R	144,00		V 12		578324	170,00	
M 18 S (PR-2B)		Mini Z8	574740 R	144,00		V 15 ¹⁾		578328	170,00	
M 22 S (PR-2B)		Mini Z8	574742 R	144,00		V 18 ¹⁾		578332	170,00	
M 28 S (PR-2B)		Mini Z8	574744 R	144,00		V 22 ¹⁾		578334	170,00	
M 35 S (PR-2B)		Mini Z8	574746 R	159,00		V 28		578336	170,00	
V 12			578324	170,00		V 35		578604	206,00	
V 15 ¹⁾			578328	170,00		V 12 S (PR-2B)	Mini Z8	574748 R	144,00	
V 18 ¹⁾			578332	170,00		V 15 S (PR-2B)	Mini Z8	574752 R	144,00	
V 22 ¹⁾			578334	170,00		V 18 S (PR-2B)	Mini Z8	574756 R	144,00	
V 28			578336	170,00		V 22 S (PR-2B)	Mini Z8	574758 R	144,00	
V 35			578604	206,00		V 28 S (PR-2B)	Mini Z8	574760 R	144,00	
V 12 S (PR-2B)		Mini Z8	574748 R	144,00		V 35 S (PR-2B)	Mini Z8	574762 R	159,00	
V 15 S (PR-2B)		Mini Z8	574752 R	144,00						
V 18 S (PR-2B)		Mini Z8	574756 R	144,00		Seppeflicke	> Aalberts integrated piping systems			
V 22 S (PR-2B)		Mini Z8	574758 R	144,00		SESTA	TH 14		578348	205,00
V 28 S (PR-2B)		Mini Z8	574760 R	144,00		SESTA GAS	TH 16		578352 R	205,00
V 35 S (PR-2B)		Mini Z8	574762 R	159,00			TH 20		578358 R	205,00
							TH 26		578362 R	205,00
							TH 32		578364	205,00
						SESTA	H 16		578400	185,00
						sistema	H 20		578406	185,00
						multistrato	TH 14		578348	205,00
							TH 16		578352 R	205,00
							TH 18		578356	205,00
							TH 20		578358 R	205,00
							TH 26		578362 R	205,00
							TH 32		578364	205,00
							TH 40		578624	272,00
							U 16		578374	192,00
							U 20		578378	192,00
					SIGMA LI	TH 16		578352 R	205,00	
					Premium	TH 20		578358 R	205,00	
						TH 25		578360	205,00	
						TH 32		578364	205,00	
						TH 16 S (PR-2B)**	Mini Z8	574782 R	144,00	
						TH 20 S (PR-2B)**	Mini Z8	574788 R	144,00	
						TH 25 S (PR-2B)**	Mini Z8	574792 R	144,00	
						TH 32 S (PR-2B)	Mini Z8	574798 R	159,00	
						U 16		578374	192,00	
						U 20		578378	192,00	
						U 25		578380	192,00	
						U 32		578382	225,00	
					SLOVARM	U 16		578374	192,00	
					PEX-THERM	U 20		578378	192,00	
						H 26		578410	185,00	
						U 32		578382	225,00	
						H 16		578400	185,00	
						H 20		578406	185,00	
						H 26		578410	185,00	
						H 32		578412	185,00	

System	Pressing tongs Mini/pressing rings	Drive with adapter tongs	Art.-No.	€
STANDARD HIDRAULICA MultiStandard	H 16		578400	185,00
	H 20		578406	185,00
	H 25		578408	185,00
	H 32		578412	185,00
	RFz 16		578492	214,00
	RFz 20		578494	214,00
	RFz 25		578496	214,00
	RFz 32		578498	214,00
	TH 16		578352 R	205,00
	TH 20		578358 R	205,00
	TH 25		578360	205,00
	TH 32		578364	205,00
	TH 16 S (PR-2B)**	Mini Z8	574782 R	144,00
	TH 20 S (PR-2B)**	Mini Z8	574788 R	144,00
	TH 25 S (PR-2B)**	Mini Z8	574792 R	144,00
	TH 32 S (PR-2B)	Mini Z8	574798 R	159,00
	U 16		578374	192,00
	U 18		578376	192,00
	U 20		578378	192,00
	U 25		578380	192,00
	U 32		578382	225,00
	U 40		578386	274,00
	steeltrade Presssystem Edelstahl Kontur M	M 15		578312
M 18 ¹⁾			578314	170,00
M 22			578316	170,00
M 28 ¹⁾			578318	170,00
M 35			578390	206,00
M 15 S (PR-2B)		Mini Z8	574738 R	144,00
M 18 S (PR-2B)		Mini Z8	574740 R	144,00
M 22 S (PR-2B)		Mini Z8	574742 R	144,00
M 28 S (PR-2B)		Mini Z8	574744 R	144,00
M 35 S (PR-2B)		Mini Z8	574746 R	159,00
STELBI Polikraft	H 16		578400	185,00
	H 20		578406	185,00
	H 26		578410	185,00
	TH 16		578352 R	205,00
	TH 20		578358 R	205,00
	TH 26		578362 R	205,00
	TH 32		578364	205,00
	TH 40		578624	272,00
	TH 16 S (PR-2B)**	Mini Z8	574782 R	144,00
	TH 20 S (PR-2B)**	Mini Z8	574788 R	144,00
	TH 26 S (PR-2B)**	Mini Z8	574794 R	144,00
	TH 32 S (PR-2B)	Mini Z8	574798 R	159,00
	U 16		578374	192,00
	U 20		578378	192,00
	U 26 ⁷⁾		578392	225,00
STELBI Stelgas	TH 16		578352 R	205,00
	TH 20		578358 R	205,00
	TH 26		578362 R	205,00
	TH 16 S (PR-2B)**	Mini Z8	574782 R	144,00
	TH 20 S (PR-2B)**	Mini Z8	574788 R	144,00
TH 26 S (PR-2B)**	Mini Z8	574794 R	144,00	
STH Westco COPPER PRESS	M 15		578312	170,00
	M 22		578316	170,00
	M 28		578318	170,00
	M 35		578390	206,00
	M 15 S (PR-2B)	Mini Z8	574738 R	144,00
	M 22 S (PR-2B)	Mini Z8	574742 R	144,00
	M 28 S (PR-2B)	Mini Z8	574744 R	144,00
M 35 S (PR-2B)	Mini Z8	574746 R	159,00	

T

TDM BRASS Serie 1600	H 16		578400	185,00
	H 18		578404	185,00
	H 20		578406	185,00
	H 25		578408	185,00
	H 26		578410	185,00
	H 32		578412	185,00
	TH 16		578352 R	205,00
	TH 18		578356	205,00
	TH 20		578358 R	205,00
	TH 25		578360	205,00
	TH 26		578362 R	205,00
	THL 32		578368	205,00
	TH 40		578624	272,00
	TH 16 S (PR-2B)**	Mini Z8	574782 R	144,00
	TH 18 S (PR-2B)**	Mini Z8	574786 R	144,00
	TH 20 S (PR-2B)**	Mini Z8	574788 R	144,00
	TH 25 S (PR-2B)**	Mini Z8	574792 R	144,00
	TH 26 S (PR-2B)**	Mini Z8	574794 R	144,00
	U 16		578374	192,00
	U 18		578376	192,00
	U 20		578378	192,00
	U 25		578380	192,00
	U 26 ⁷⁾		578392	225,00
U 32		578382	225,00	

System	Pressing tongs Mini/pressing rings	Drive with adapter tongs	Art.-No.	€
TDM BRASS Serie 2600	H 16		578400	185,00
	H 18		578404	185,00
	H 20		578406	185,00
	H 25		578408	185,00
	H 26		578410	185,00
	H 32		578412	185,00
	TH 16		578352 R	205,00
	TH 18		578356	205,00
	TH 20		578358 R	205,00
	TH 25		578360	205,00
	THL 26		578362 R	205,00
	THL 32		578368	205,00
	TH 16 S (PR-2B)**	Mini Z8	574782 R	144,00
	TH 18 S (PR-2B)**	Mini Z8	574786 R	144,00
	TH 20 S (PR-2B)**	Mini Z8	574788 R	144,00
	TH 25 S (PR-2B)**	Mini Z8	574792 R	144,00
	TH 26 S (PR-2B)**	Mini Z8	574794 R	144,00
	U 16		578374	192,00
	U 18		578376	192,00
	U 20		578378	192,00
	U 25		578380	192,00
	U 26 ⁷⁾		578392	225,00
	U 32		578382	225,00
TDM BRASS Serie 1700 gas	TH 16		578352 R	205,00
	TH 20		578358 R	205,00
	TH 26		578362 R	205,00
	THL 32		578368	205,00
	TH 16 S (PR-2B)**	Mini Z8	574782 R	144,00
TH 20 S (PR-2B)**	Mini Z8	574788 R	144,00	
TH 26 S (PR-2B)**	Mini Z8	574794 R	144,00	
TermoConcept TC-PRESS	Basic E01 ²⁾		578618	353,00
THERMOLUTZ	H 14		578398	185,00
	H 16		578400	185,00
	TH 20		578358 R	205,00
	TH 20 S (PR-2B)**	Mini Z8	574788 R	144,00
TE-SA TE-SA press serie 800	TH 14		578348	205,00
	TH 16		578352 R	205,00
	TH 18		578356	205,00
	TH 20		578358 R	205,00
	TH 26		578362 R	205,00
	TH 32		578364	205,00
	TH 40		578624	272,00
	TH 14 S (PR-2B)**	Mini Z8	574778 R	144,00
	TH 16 S (PR-2B)**	Mini Z8	574782 R	144,00
	TH 18 S (PR-2B)**	Mini Z8	574786 R	144,00
TH 20 S (PR-2B)**	Mini Z8	574788 R	144,00	
TH 26 S (PR-2B)**	Mini Z8	574794 R	144,00	
TH 32 S (PR-2B)	Mini Z8	574798 R	159,00	
THERMACOME ACOPEXALU	H 16		578400	185,00
	H 20		578406	185,00
	H 26		578410	185,00
	H 32		578412	185,00
	TH 16		578352 R	205,00
	TH 20		578358 R	205,00
	TH 26		578362 R	205,00
TH 32		578364	205,00	
U 16		578374	192,00	
U 20		578378	192,00	
U 32		578382	225,00	
TIEMME 1650 AL-COBRAPEX	TH 14		578348	205,00
	TH 16		578352 R	205,00
	TH 18		578356	205,00
	TH 20		578358 R	205,00
	TH 25		578360	205,00
	TH 26		578362 R	205,00
	THL 32		578368	205,00
	TH 40		578624	272,00
	TH 14 S (PR-2B)**	Mini Z8	574778 R	144,00
	TH 16 S (PR-2B)**	Mini Z8	574782 R	144,00
	TH 18 S (PR-2B)**	Mini Z8	574786 R	144,00
	TH 20 S (PR-2B)**	Mini Z8	574788 R	144,00
TH 25 S (PR-2B)**	Mini Z8	574792 R	144,00	
TH 26 S (PR-2B)**	Mini Z8	574794 R	144,00	
TIEMME 1700 COBRAPEX	RFz 12		578490	214,00
	RFz 16		578492	214,00
	RFz 20		578494	214,00
	RFz 25		578496	214,00
	RFz 32		578498	214,00
	TH 40		578624	272,00

Pressfitting systems for gas installations may only be pressed with the pressing tongs Mini which are highlighted in yellow in the table.

Observe the national regulations. Read and observe the system provider's/manufacturer's instructions for use and assembly instructions.

** Can also be driven by the ROLLER'S Easy-Press manual radial press using the Z8 adapter tongs, see page 90. Observe the national regulations.

¹⁾ Only pressing tongs from designation "108" (1st quarter of 2008), "208" (2nd quarter of 2008) etc. can be used. The designation is stamped on every pressing jaw.

²⁾ For accommodating suitable pressing inserts.

³⁾ Only pressing tongs from designation "117" (1st quarter of 201), "217" (2nd quarter of 2017) etc. can be used. The designation is stamped on every pressing jaw.

⁴⁾ For pipes with the EN technical standard. Observe the system provider's/manufacturer's instructions for use.

⁵⁾ Only use Mini pressing tongs identified by "VMP ½" G" on the pressing jaws for gas installations.

⁷⁾ Previous designation: Mini C 26 pressing tongs

⁹⁾ For pipes with the ASTM technical standard. Observe the system provider's/manufacturer's instructions for use.

Suitability of the ROLLER'S pressing tools for pressfitting systems: Status 27.10.2023. The current status can be found on the Internet:

www.albert-roller.de → Downloads → Product Catalogues, Brochures → ROLLER Catalogue.

See page 79 for adapter tongs. Pressing tongs/pressing rings for other press fitting systems on request.

System	Pressing tongs Mini/pressing rings	Drive with adapter tongs	Art.-No.	€
TIEMME	TH 16		578352 R	205,00
1650 AL-COBRAPEX	TH 20		578358 R	205,00
GAS	TH 26		578362 R	205,00
	THL 32		578368	205,00
	TH 16 S (PR-2B)**	Mini Z8	574782 R	144,00
	TH 20 S (PR-2B)**	Mini Z8	574788 R	144,00
	TH 26 S (PR-2B)**	Mini Z8	574794 R	144,00
TIGRE	TH 16		578352 R	205,00
ALPEX GAS	TH 20		578358 R	205,00
	TH 26		578362 R	205,00
	TH 32		578364	205,00
TKM	TH 14		578348	205,00
Systemtechnik	TH 16		578352 R	205,00
	TH 20		578358 R	205,00
	TH 26		578362 R	205,00
	TH 32		578364	205,00
	TH 40		578624	272,00
TRA Multi TRA+	H 16		578400	185,00
	H 20		578406	185,00
	H 25		578408	185,00
	H 26		578410	185,00
	H 32		578412	185,00
	TH 16		578352 R	205,00
	TH 20		578358 R	205,00
	TH 25		578360	205,00
	TH 26		578362 R	205,00
	TH 32		578364	205,00
	TH 40		578624	272,00
	TH 16 S (PR-2B)**	Mini Z8	574782 R	144,00
	TH 20 S (PR-2B)**	Mini Z8	574788 R	144,00
	TH 25 S (PR-2B)**	Mini Z8	574792 R	144,00
	TH 26 S (PR-2B)**	Mini Z8	574794 R	144,00
	TH 32 S (PR-2B)	Mini Z8	574798 R	159,00
	U 16		578374	192,00
	U 20		578378	192,00
	U 25		578380	192,00
	U 26 ⁷⁾		578392	225,00
	U 32		578382	225,00
	U 40		578386	274,00
TRAMULTITRAPRESS	U 16		578374	192,00
	U 18		578376	192,00
	U 20		578378	192,00
	U 25		578380	192,00
	U 32		578382	225,00
	U 40		578386	274,00
TRA TRAPRESS	H 12		578396	185,00
	H 16		578400	185,00
	H 20		578406	185,00
	H 25		578408	185,00
	H 32		578412	185,00
	RFz 12		578490	214,00
	RFz 16		578492	214,00
	RFz 20		578494	214,00
	RFz 25		578496	214,00
	RFz 32		578498	214,00
Tradelink	K16/P18		578592	214,00
TradePex Crimp	K20		578594	214,00
Water	K25		578596	214,00
	K32		578598	214,00
	K1/40		578600	214,00
Tradelink	K16/P18		578592	214,00
TradePex Crimp	K20		578594	214,00
Gas	K25		578596	214,00
	K32		578598	214,00
	K1/40		578600	214,00
TUBIPLAST ITALY	H 16		578400	185,00
MULTILAYER PIPE	H 18		578404	185,00
	H 20		578406	185,00
	H 26		578410	185,00
	H 32		578412	185,00
	TH 16		578352 R	205,00
	TH 18		578356	205,00
	TH 20		578358 R	205,00
	TH 26		578362 R	205,00
	TH 32		578364	205,00
	TH 40		578624	272,00
	TH 16 S (PR-2B)**	Mini Z8	574782 R	144,00
	TH 18 S (PR-2B)**	Mini Z8	574786 R	144,00
	TH 20 S (PR-2B)**	Mini Z8	574788 R	144,00
	TH 26 S (PR-2B)**	Mini Z8	574794 R	144,00
	TH 32 S (PR-2B)	Mini Z8	574798 R	159,00
	U 16		578374	192,00
	U 18		578376	192,00
	U 20		578378	192,00
	U 26 ⁷⁾		578392	225,00
	U 32		578382	225,00
TUBIPLAST ITALY	TH 16		578352 R	205,00
MULTILAYER PIPE	TH 18		578356	205,00
GAS SYSTEM	TH 20		578358 R	205,00
	TH 26		578362 R	205,00
	TH 32		578364	205,00
	TH 16 S (PR-2B)**	Mini Z8	574782 R	144,00
	TH 18 S (PR-2B)**	Mini Z8	574786 R	144,00
	TH 20 S (PR-2B)**	Mini Z8	574788 R	144,00
	TH 26 S (PR-2B)**	Mini Z8	574794 R	144,00
	TH 32 S (PR-2B)	Mini Z8	574798 R	159,00

System	Pressing tongs Mini/pressing rings	Drive with adapter tongs	Art.-No.	€
TWEETOP	U 16		578374	192,00
	U 20		578378	192,00
	U 25		578380	192,00
	U 32		578382	225,00
	U 40		578386	274,00
U				
UNICALAG	U 16		578374	192,00
MAX-MULTIPEX	U 20		578378	192,00
	H 26		578410	185,00
	U 26 ⁷⁾		578392	225,00
	U 32		578382	225,00
UNIDELTA	TH 16		578352 R	205,00
DELTAPRESS	TH 20		578358 R	205,00
	TH 26		578362 R	205,00
	TH 32		578364	205,00
	TH 40		578624	272,00
	TH 16 S (PR-2B)**	Mini Z8	574782 R	144,00
	TH 20 S (PR-2B)**	Mini Z8	574788 R	144,00
	TH 26 S (PR-2B)**	Mini Z8	574794 R	144,00
	TH 32 S (PR-2B)	Mini Z8	574798 R	159,00
	H 16		578400	185,00
	H 20		578406	185,00
	H 26		578410	185,00
	H 32		578412	185,00
	U 16		578374	192,00
	U 20		578378	192,00
	U 32		578382	225,00
	U 40		578386	274,00
UNIDELTA	TH 16		578352 R	205,00
DELTAPRESS GAS	TH 20		578358 R	205,00
	TH 26		578362 R	205,00
	TH 32		578364	205,00
	TH 16 S (PR-2B)**	Mini Z8	574782 R	144,00
	TH 20 S (PR-2B)**	Mini Z8	574788 R	144,00
	TH 26 S (PR-2B)**	Mini Z8	574794 R	144,00
	TH 32 S (PR-2B)	Mini Z8	574798 R	159,00
	H 16		578400	185,00
	H 20		578406	185,00
	H 26		578410	185,00
	H 32		578412	185,00
	U 16		578374	192,00
	U 20		578378	192,00
	U 32		578382	225,00
	U 40		578386	274,00
Uponor	UP 14		578576	192,00
	UP 16		578578	192,00
	UP 20		578582	192,00
	UP 25		578584	192,00
	UP 32		578586	225,00
	U 40		578386	274,00
V				
Valsir Bravopress	B 16		578468	224,00
	B 20		578472	224,00
	B 26		578474	247,00
	B 32		578476	247,00
	F 16		578456	195,00
	F 20		578460	195,00
	F 26		578462	211,00
	F 16 S (PR-2B)**	Mini Z8	574728 R	144,00
	F 20 S (PR-2B)**	Mini Z8	574730 R	144,00
	F 26 S (PR-2B)**	Mini Z8	574732 R	144,00
	H 16		578400	185,00
	H 20		578406	185,00
	H 26		578410	185,00
	H 32		578412	185,00
	H 32 V		578602	236,00
	TH 16		578352 R	205,00
	TH 20		578358 R	205,00
	TH 26		578362 R	205,00
	TH 32		578364	205,00
	U 16		578374	192,00
	U 20		578378	192,00
	U 26 ⁷⁾		578392	225,00
	U 32		578382	225,00
Valsir PEXAL	H 14		578398	185,00
	H 16		578400	185,00
	H 20		578406	185,00
	H 26		578410	185,00
	H 32		578412	185,00
	H 32 V		578602	236,00
	TH 16		578352 R	205,00
	TH 20		578358 R	205,00
	TH 26		578362 R	205,00
	TH 32		578364	205,00
	U 16		578374	192,00
	U 20		578378	192,00
	U 26 ⁷⁾		578392	225,00
	U 32		578382	225,00

System	Pressing tongs Mini/pressing rings	Drive with adapter tongs	Art.-No.	€	System	Pressing tongs Mini/pressing rings	Drive with adapter tongs	Art.-No.	€	
Van Marcke NV SYSTEMPEX	TH 16		578352 R	205,00	Viega MegaPress 316 FKM (ASTM) ⁹⁾	VMP ½" G (OD 21,3 mm)		578666 R	236,00	
	TH 20		578358 R	205,00		VMPz ¾" (OD 26,9 mm)		578664	236,00	
	TH 26		578362 R	205,00					182,50	
	TH 32		578364	205,00		Viega MegaPress CuNi (ASTM) ⁹⁾	VMP ½" G (OD 21,3 mm)		578666 R	236,00
	TH 40		578624	272,00			VMPz ¾" (OD 26,9 mm)		578664	236,00
	TH 16 S (PR-2B)**	Mini Z8	574782 R	144,00		Viega MegaPress FKM (ASTM) ⁹⁾	VMP ½" G (OD 21,3 mm)		578666 R	236,00
	TH 20 S (PR-2B)**	Mini Z8	574788 R	144,00			VMPz ¾" (OD 26,9 mm)		578664	236,00
	TH 26 S (PR-2B)**	Mini Z8	574794 R	144,00		Viega MegaPresG (ASTM) ⁹⁾	VMP ½" G (OD 21,3 mm)		578666 R	236,00
	TH 32 S (PR-2B)	Mini Z8	574798 R	159,00			VMPz ¾" (OD 26,9 mm)		578664	236,00
	Van Marcke NV Tubipress	M 12		578310		170,00	Viega Megapress (EN) ⁴⁾	VMP ¾" (OD 17,2 mm)		578660
M 15			578312	170,00	VMP ½" G (OD 21,3 mm)			578666 R	236,00	
M 18			578314	170,00	VMPz ¾" (OD 26,9 mm)		578664	236,00		
M 22			578316	170,00	Viega MegapressS (EN) ⁴⁾	VMP ¾" (OD 17,2 mm)		578660	236,00	
M 28			578318	170,00		VMP ½" G (OD 21,3 mm)		578666 R	236,00	
M 35			578390	206,00	VMPz ¾" (OD 26,9 mm)		578664	236,00		
M 12 S (PR-2B)		Mini Z8	574736 R	144,00	Viega Pexfit	VX 16		578552	236,00	
M 15 S (PR-2B)		Mini Z8	574738 R	144,00		VX 20		578554	236,00	
M 18 S (PR-2B)		Mini Z8	574740 R	144,00	VX 25		578556	236,00		
M 22 S (PR-2B)		Mini Z8	574742 R	144,00	Viega Pexfit G	VX 16		578552	236,00	
M 28 S (PR-2B)		Mini Z8	574744 R	144,00		VX 20		578554	236,00	
M 35 S (PR-2B)		Mini Z8	574746 R	159,00		VX 25		578556	236,00	
Variotherm System TH		TH 11,6		578344	205,00	Viega Prestabo	V 12		578324	170,00
		TH 16		578352 R	205,00		V 15		578328	170,00
	TH 20		578358 R	205,00	V 18			578332	170,00	
	TH 16 S (PR-2B)**	Mini Z8	574782 R	144,00	V 22			578334	170,00	
	TH 20 S (PR-2B)**	Mini Z8	574788 R	144,00	V 28			578336	170,00	
VESBO CARBON	M 15		578312	170,00	V 12 S (PR-2B)		Mini Z8	574748 R	144,00	
	M 18		578314	170,00		V 15 S (PR-2B)		Mini Z8	574752 R	144,00
	M 22		578316	170,00	V 18 S (PR-2B)		Mini Z8	574756 R	144,00	
	M 28		578318	170,00	V 22 S (PR-2B)		Mini Z8	574758 R	144,00	
	M 35		578390	206,00	V 28 S (PR-2B)		Mini Z8	574760 R	144,00	
	M 15 S (PR-2B)	Mini Z8	574738 R	144,00	Viega Profipress	V 12		578324	170,00	
	M 18 S (PR-2B)	Mini Z8	574740 R	144,00		VG 14		578338	170,00	
	M 22 S (PR-2B)	Mini Z8	574742 R	144,00		V 15		578328	170,00	
	M 28 S (PR-2B)	Mini Z8	574744 R	144,00		VG 16		578340	170,00	
	M 35 S (PR-2B)	Mini Z8	574746 R	159,00		V 18		578332	170,00	
				V 22			578334	170,00		
				V 28			578336	170,00		
				V 35			578604	206,00		
				V 12 S (PR-2B)			Mini Z8	574748 R	144,00	
				VG 14 S (PR-2B)			Mini Z8	574750 R	144,00	
VESBO INOX	M 15		578312	170,00	V 15 S (PR-2B)		Mini Z8	574752 R	144,00	
	M 18		578314	170,00	VG 16 S (PR-2B)		Mini Z8	574754 R	144,00	
	M 22		578316	170,00	V 18 S (PR-2B)		Mini Z8	574756 R	144,00	
	M 28		578318	170,00	V 22 S (PR-2B)		Mini Z8	574758 R	144,00	
	M 35		578390	206,00	V 28 S (PR-2B)		Mini Z8	574760 R	144,00	
	M 15 S (PR-2B)	Mini Z8	574738 R	144,00	V 35 S (PR-2B)		Mini Z8	574762 R	159,00	
	M 18 S (PR-2B)	Mini Z8	574740 R	144,00	Viega Profipress G	V 12		578324	170,00	
	M 22 S (PR-2B)	Mini Z8	574742 R	144,00		VG 14		578338	170,00	
	M 28 S (PR-2B)	Mini Z8	574744 R	144,00		V 15		578328	170,00	
	M 35 S (PR-2B)	Mini Z8	574746 R	159,00		VG 16		578340	170,00	
				V 18			578332	170,00		
				V 22			578334	170,00		
				V 28			578336	170,00		
				V 35			578604	206,00		
				V 12 S (PR-2B)			Mini Z8	574748 R	144,00	
				VG 14 S (PR-2B)			Mini Z8	574750 R	144,00	
VESBO MULTIPRESS TH-U	TH 16		578352 R	205,00	V 15 S (PR-2B)		Mini Z8	574752 R	144,00	
	TH 20		578358 R	205,00	VG 16 S (PR-2B)		Mini Z8	574754 R	144,00	
	TH 26		578362 R	205,00	V 18 S (PR-2B)		Mini Z8	574756 R	144,00	
	TH 32		578364	205,00	V 22 S (PR-2B)		Mini Z8	574758 R	144,00	
	TH 16 S (PR-2B)**	Mini Z8	574782 R	144,00	V 28 S (PR-2B)		Mini Z8	574760 R	144,00	
	TH 20 S (PR-2B)**	Mini Z8	574788 R	144,00	V 35 S (PR-2B)		Mini Z8	574762 R	159,00	
	TH 26 S (PR-2B)**	Mini Z8	574794 R	144,00	Viega Profipress S	V 12		578324	170,00	
	TH 32 S (PR-2B)	Mini Z8	574798 R	159,00		V 15		578328	170,00	
	U 16		578374	192,00		V 18		578332	170,00	
	U 20		578378	192,00		V 22		578334	170,00	
U 26 ⁷⁾		578392	225,00	V 28			578336	170,00		
U 32		578382	225,00	V 35			578604	206,00		
				V 12 S (PR-2B)			Mini Z8	574748 R	144,00	
				V 15 S (PR-2B)			Mini Z8	574752 R	144,00	
				V 18 S (PR-2B)			Mini Z8	574756 R	144,00	
				V 22 S (PR-2B)			Mini Z8	574758 R	144,00	
VESBO VPREMIUM	U 16		578374	192,00	V 28 S (PR-2B)		Mini Z8	574760 R	144,00	
	U 20		578378	192,00	V 35 S (PR-2B)		Mini Z8	574762 R	159,00	
	U 25		578380	192,00						
	U 32		578382	225,00						
	U 40		578386	274,00						
Viega Fonterra	VX 12		578550	236,00						
	VP 14/15		578480	204,00						
	VP 16/17		578482	204,00						
	VP 20		578484	204,00						
	VP 25		578486	204,00						
Viega MegaPress (ASTM) ⁹⁾	VMP ½" G (OD 21,3 mm)		578666 R	236,00						
	VMPz ¾" (OD 26,9 mm)		578664	236,00						
Viega MegaPress 304 FKM (ASTM) ⁹⁾	VMP ½" G (OD 21,3 mm)		578666 R	236,00						
	VMPz ¾" (OD 26,9 mm)		578664	236,00						
Viega MegaPress 316 (ASTM) ⁹⁾	VMP ½" G (OD 21,3 mm)		578666 R	236,00						
	VMPz ¾" (OD 26,9 mm)		578664	236,00						

Pressfitting systems for gas installations may only be pressed with the pressing tongs Mini which are highlighted in yellow in the table.

Observe the national regulations. Read and observe the system provider's/manufacturer's instructions for use and assembly instructions.

** Can also be driven by the ROLLER'S Easy-Press manual radial press using the Z8 adapter tongs, see page 90. Observe the national regulations.

¹⁾ Only pressing tongs from designation "108" (1st quarter of 2008), "208" (2nd quarter of 2008) etc. can be used. The designation is stamped on every pressing jaw.

²⁾ For accommodating suitable pressing inserts.

³⁾ Only pressing tongs from designation "117" (1st quarter of 201), "217" (2nd quarter of 2017) etc. can be used. The designation is stamped on every pressing jaw.

⁴⁾ For pipes with the EN technical standard. Observe the system provider's/manufacturer's instructions for use.

⁵⁾ Only use Mini pressing tongs identified by "VMP ½" G" on the pressing jaws for gas installations.

⁷⁾ Previous designation: Mini C 26 pressing tongs

⁹⁾ For pipes with the ASTM technical standard. Observe the system provider's/manufacturer's instructions for use.

Suitability of the ROLLER'S pressing tools for pressfitting systems: Status 27.10.2023. The current status can be found on the Internet:

www.albert-roller.de → Downloads → Product Catalogues, Brochures → ROLLER Catalogue.

See page 79 for adapter tongs. Pressing tongs/pressing rings for other press fitting systems on request.

System	Pressing tongs Mini/pressing rings	Drive with adapter tongs	Art.-No.	€
Viega	V 12		578324	170,00
Profipress Therm	V 15		578328	170,00
	V 18		578332	170,00
	V 22		578334	170,00
	V 12 S (PR-2B)	Mini Z8	574748 R	144,00
	V 15 S (PR-2B)	Mini Z8	574752 R	144,00
	V 18 S (PR-2B)	Mini Z8	574756 R	144,00
	V 22 S (PR-2B)	Mini Z8	574758 R	144,00
Viega ProPress (ASTM) ⁹⁾	VUS ½" (OD 15,9 mm)		578566	206,00
	VUS ¾" (OD 22,2 mm)		578568	206,00
	VUS 1" (OD 28,6 mm)		578570	206,00
	VUS 1½" (OD 34,9 mm)		578606	206,00
	VUS ½" S (PR-2B) (OD 15,9 mm)	Mini Z8	574764 R	144,00
	VUS ¾" S (PR-2B) (OD 22,2 mm)	Mini Z8	574766 R	144,00
	VUS 1" S (PR-2B) (OD 28,6 mm)	Mini Z8	574768 R	144,00
	VUS 1½" S (PR-2B) (OD 34,9 mm)	Mini Z8	574770 R	144,00
Viega ProPress 304 FKM (ASTM) ⁹⁾	VUS ½" (OD 15,9 mm)		578566	206,00
	VUS ¾" (OD 22,2 mm)		578568	206,00
	VUS 1" (OD 28,6 mm)		578570	206,00
	VUS 1½" (OD 34,9 mm)		578606	206,00
Viega ProPress 316 (ASTM) ⁹⁾	VUS ½" (OD 15,9 mm)		578566	206,00
	VUS ¾" (OD 22,2 mm)		578568	206,00
	VUS 1" (OD 28,6 mm)		578570	206,00
	VUS 1½" (OD 34,9 mm)		578606	206,00
Viega Propress WATER System AUS	VAU 15 (OD 12,7 mm)		578630	176,00
	VAU 20 (OD 19,1 mm)		578632	176,00
	VAU 25 (OD 25,4 mm)		578634	176,00
	VAU 32 (OD 31,8 mm)		578636	185,00
	VAU 15 S (PR-2B) (OD 12,7 mm)	Mini Z8	574804 R	144,00
	VAU 20 S (PR-2B)** (OD 19,1 mm)	Mini Z8	574806 R	144,00
	VAU 25 S (PR-2B)** (OD 25,4 mm)	Mini Z8	574808 R	159,00
	VAU 32 S (PR-2B) (OD 31,8 mm)	Mini Z8	574856 R	159,00
Viega PropressG GAS System AUS	VAU 15 (OD 12,7 mm)		578630	176,00
	VAU 20 (OD 19,1 mm)		578632	176,00
	VAU 25 (OD 25,4 mm)		578634	176,00
	VAU 32 (OD 31,8 mm)		578636	185,00
Viega Raxinox	VRX 16		578640	216,00
	VRX 20		578642	216,00
Viega Raxofix	VRX 16		578640	216,00
	VRX 20		578642	216,00
	VRX 25		578644	236,00
	VRX 32		578646	236,00
Viega Sanfix	VP 16/17		578482	204,00
	VP 20		578484	204,00
	VP 25		578486	204,00
	VP 32		578488	226,00
Viega Sanfix Fosta	VP 16/17		578482	204,00
	VP 20		578484	204,00
	VP 25		578486	204,00
	VP 32		578488	226,00
Viega Sanpress	V 12		578324	170,00
	V 15		578328	170,00
	V 18		578332	170,00
	V 22		578334	170,00
	V 28		578336	170,00
	V 35		578604	206,00
	V 12 S (PR-2B)	Mini Z8	574748 R	144,00
	V 15 S (PR-2B)	Mini Z8	574752 R	144,00
	V 18 S (PR-2B)	Mini Z8	574756 R	144,00
	V 22 S (PR-2B)	Mini Z8	574758 R	144,00
	V 28 S (PR-2B)	Mini Z8	574760 R	144,00
	V 35 S (PR-2B)	Mini Z8	574762 R	159,00
Viega Sanpress Inox	V 15		578328	170,00
	V 18		578332	170,00
	V 22		578334	170,00
	V 28		578336	170,00
	V 35		578604	206,00
	V 15 S (PR-2B)	Mini Z8	574752 R	144,00
	V 18 S (PR-2B)	Mini Z8	574756 R	144,00
	V 22 S (PR-2B)	Mini Z8	574758 R	144,00
	V 28 S (PR-2B)	Mini Z8	574760 R	144,00
	V 35 S (PR-2B)	Mini Z8	574762 R	159,00
Viega Sanpress Inox G	V 15		578328	170,00
	V 18		578332	170,00
	V 22		578334	170,00
	V 28		578336	170,00
	V 35		578604	206,00
	V 15 S (PR-2B)	Mini Z8	574752 R	144,00
	V 18 S (PR-2B)	Mini Z8	574756 R	144,00
	V 22 S (PR-2B)	Mini Z8	574758 R	144,00
	V 28 S (PR-2B)	Mini Z8	574760 R	144,00
	V 35 S (PR-2B)	Mini Z8	574762 R	159,00
Viega Smartpress	VX 16		578552	236,00
	VX 20		578554	236,00
	VX 25		578556	236,00
Viega Temponox	V 15		578328	170,00
	V 18		578332	170,00
	V 22		578334	170,00
	V 28		578336	170,00
	V 35		578604	206,00
	V 15 S (PR-2B)	Mini Z8	574752 R	144,00
	V 18 S (PR-2B)	Mini Z8	574756 R	144,00
	V 22 S (PR-2B)	Mini Z8	574758 R	144,00
	V 28 S (PR-2B)	Mini Z8	574760 R	144,00
	V 35 S (PR-2B)	Mini Z8	574762 R	159,00

System	Pressing tongs Mini/pressing rings	Drive with adapter tongs	Art.-No.	€
Viessmann	TH 14		578348	205,00
	TH 16		578352 R	205,00
	TH 20		578358 R	205,00
	TH 26		578362 R	205,00
	TH 32		578364	205,00
Vogel & Noot EASYTEC	TH 16		578352 R	205,00
	TH 20		578358 R	205,00
	TH 26		578362 R	205,00
	TH 32		578364	205,00
	TH 40		578624	272,00
	TH 16 S (PR-2B)**	Mini Z8	574782 R	144,00
	TH 20 S (PR-2B)**	Mini Z8	574788 R	144,00
	TH 26 S (PR-2B)**	Mini Z8	574794 R	144,00
	TH 32 S (PR-2B)	Mini Z8	574798 R	159,00
VSH	> Aalberts integrated piping systems			

W

Watts MTR	TH 16		578352 R	205,00
Art press	TH 20		578358 R	205,00
	TH 26		578362 R	205,00
	TH 32		578364	205,00
WATTS	US ¾"		578534	233,00
RADIANT	US ½"		578536	233,00
Watts WaterPEX	US ¾"		578538	233,00
	US 1"		578540	233,00
WATTS	US ¾"		578534	233,00
RADIANT	US ½"		578536	233,00
Watts	US ¾"		578538	233,00
RadiantPEX	US 1"		578540	233,00
WATTS	U 16 (½")		578374	192,00
RADIANT	U 20 (¾")		578378	192,00
Watts	U 25 (¾")		578380	192,00
RadiantPEX-AL	U 32 (1")		578382	225,00
Wavin	B 16		578468	224,00
Tigris KS/M5	B 20		578472	224,00
	B 32		578476	247,00
	H 16		578400	185,00
	H 20		578406	185,00
	H 25		578408	185,00
	H 32		578412	185,00
	TH 16		578352 R	205,00
	TH 20		578358 R	205,00
	TH 25		578360	205,00
	TH 32		578364	205,00
	TH 40		578624	272,00
	TH 16 S (PR-2B)**	Mini Z8	574782 R	144,00
	TH 20 S (PR-2B)**	Mini Z8	574788 R	144,00
	TH 25 S (PR-2B)**	Mini Z8	574792 R	144,00
	TH 32 S (PR-2B)	Mini Z8	574798 R	159,00
	U 16		578374	192,00
	U 20		578378	192,00
	U 25		578380	192,00
	U 32		578382	225,00
	U 40		578386	274,00
	UP 16		578578	192,00
	UP 20		578582	192,00
	UP 25		578584	192,00
	UP 32		578586	225,00
WEECON	M 15		578312	170,00
PRESS-C-Stahl	M 18		578314	170,00
	M 22		578316	170,00
	M 28		578318	170,00
	M 35		578390	206,00
	M 15 S (PR-2B)	Mini Z8	574738 R	144,00
	M 18 S (PR-2B)	Mini Z8	574740 R	144,00
	M 22 S (PR-2B)	Mini Z8	574742 R	144,00
	M 28 S (PR-2B)	Mini Z8	574744 R	144,00
	M 35 S (PR-2B)	Mini Z8	574746 R	159,00
WEECON	M 15		578312	170,00
PRESS-Edelstahl	M 18		578314	170,00
	M 22		578316	170,00
	M 28		578318	170,00
	M 35		578390	206,00
	M 15 S (PR-2B)	Mini Z8	574738 R	144,00
	M 18 S (PR-2B)	Mini Z8	574740 R	144,00
	M 22 S (PR-2B)	Mini Z8	574742 R	144,00
	M 28 S (PR-2B)	Mini Z8	574744 R	144,00
	M 35 S (PR-2B)	Mini Z8	574746 R	159,00
WEECON	V 15		578328	170,00
PRESS-Kupfer	V 18		578332	170,00
	V 22		578334	170,00
	V 28		578336	170,00
	V 35		578604	206,00
	V 15 S (PR-2B)	Mini Z8	574752 R	144,00
	V 18 S (PR-2B)	Mini Z8	574756 R	144,00
	V 22 S (PR-2B)	Mini Z8	574758 R	144,00
	V 28 S (PR-2B)	Mini Z8	574760 R	144,00
	V 35 S (PR-2B)	Mini Z8	574762 R	159,00

System	Pressing tongs Mini/pressing rings	Drive with adapter tongs	Art.-No.	€
WEM	U 16		578374	192,00
WIELAND-WERKE cuprotherm CTX	TH 14		578348	205,00
	TH 16		578352 R	205,00
	TH 14 S (PR-2B)**	Mini Z8	574778 R	144,00
	TH 16 S (PR-2B)**	Mini Z8	574782 R	144,00
WKS-Press	TH 14		578348	205,00
	TH 16		578352 R	205,00
	TH 17		578354	205,00
	TH 20		578358 R	205,00
	TH 26		578362 R	205,00
	TH 32		578364	205,00
	TH 40		578624	272,00
	WÜRTH Würth	TH 16		578352 R
TH 20		578358 R	205,00	
TH 26		578362 R	205,00	
HE 32		578370 R	245,00	

X

XtraConnect	F 16		578456	195,00
	F 20		578460	195,00
	F 26		578462	211,00
	F 32		578464	211,00
	F 16 S (PR-2B)**	Mini Z8	574728 R	144,00
	F 20 S (PR-2B)**	Mini Z8	574730 R	144,00
	F 26 S (PR-2B)**	Mini Z8	574732 R	144,00
	F 32 S (PR-2B)	Mini Z8	574734 R	159,00
	H 16		578400	185,00
	H 20		578406	185,00
	H 26		578410	185,00
	H 32		578412	185,00
	TH 16		578352 R	205,00
	TH 20		578358 R	205,00
	TH 26		578362 R	205,00
	TH 32		578364	205,00
	TH 16 S (PR-2B)**	Mini Z8	574782 R	144,00
	TH 20 S (PR-2B)**	Mini Z8	574788 R	144,00
	TH 26 S (PR-2B)**	Mini Z8	574794 R	144,00
	TH 32 S (PR-2B)	Mini Z8	574798 R	159,00
	U 16		578374	192,00
	U 20		578378	192,00
	(DN 26) U 25		578380	192,00
	U 32		578382	225,00
	VP 16		578482	204,00
	VP 20		578484	204,00
	VP 32		578488	226,00

Y

YX COPPER	Yz 16 UNI	578740	214,00
UNIPEX Water & Gas (AUS)	Yz 20 UNI	578742	214,00
	Yz 25 UNI	578744	214,00
	Yz 32 UNI	578746	214,00

System	Pressing tongs Mini/pressing rings	Drive with adapter tongs	Art.-No.	€
Z				
ZEWOTHERM Zewo Press Premium	TH 12		578346	205,00
	TH 16		578352 R	205,00
	TH 17		578354	205,00
	TH 18		578356	205,00
	TH 20		578358 R	205,00
	TH 26		578362 R	205,00
	TH 32		578364	205,00
	TH 40		578624	272,00
	TH 12 S (PR-2B)**	Mini Z8	574776 R	144,00
	TH 16 S (PR-2B)**	Mini Z8	574782 R	144,00
	TH 17 S (PR-2B)**	Mini Z8	574784 R	144,00
	TH 18 S (PR-2B)**	Mini Z8	574786 R	144,00
	TH 20 S (PR-2B)**	Mini Z8	574788 R	144,00
	TH 26 S (PR-2B)**	Mini Z8	574794 R	144,00
TH 32 S (PR-2B)	Mini Z8	574798 R	159,00	
ZEWOTHERM Zewo Press PPSU	TH 16		578352 R	205,00
	TH 20		578358 R	205,00
	TH 26		578362 R	205,00
	TH 32		578364	205,00
	TH 16 S (PR-2B)**	Mini Z8	574782 R	144,00
	TH 20 S (PR-2B)**	Mini Z8	574788 R	144,00
	TH 26 S (PR-2B)**	Mini Z8	574794 R	144,00
	TH 32 S (PR-2B)	Mini Z8	574798 R	159,00
ZURN	US ¾"		578534	233,00
INDUSTRIES	US ½"		578536	233,00
ZURN PEX	US ¾"		578538	233,00
	US 1"		578540	233,00

Pressfitting systems for gas installations may only be pressed with the pressing tongs Mini which are highlighted in yellow in the table.

Observe the national regulations. Read and observe the system provider's/manufacturer's instructions for use and assembly instructions.

** Can also be driven by the ROLLER'S Easy-Press manual radial press using the Z8 adapter tongs, see page 90. Observe the national regulations.

- ¹⁾ Only pressing tongs from designation "108" (1st quarter of 2008), "208" (2nd quarter of 2008) etc. can be used. The designation is stamped on every pressing jaw.
- ²⁾ For accommodating suitable pressing inserts.
- ³⁾ Only pressing tongs from designation "117" (1st quarter of 201), "217" (2nd quarter of 2017) etc. can be used. The designation is stamped on every pressing jaw.
- ⁴⁾ For pipes with the EN technical standard. Observe the system provider's/manufacturer's instructions for use.
- ⁶⁾ Only use Mini pressing tongs identified by "VMP ½" G" on the pressing jaws for gas installations.
- ⁷⁾ Previous designation: Mini C 26 pressing tongs
- ⁸⁾ For pipes with the ASTM technical standard. Observe the system provider's/manufacturer's instructions for use.

Suitability of the ROLLER'S pressing tools for pressfitting systems: Status 27.10.2023. The current status can be found on the Internet:

www.albert-roller.de → Downloads → Product Catalogues, Brochures → ROLLER Catalogue.

See page 79 for adapter tongs. Pressing tongs/pressing rings for other press fitting systems on request.



Accessories	Art.-No.	€
Adaptor tongs Mini Z8 for driving the ROLLER'S pressing rings S (PR-2B)	574700 R	167,00
Steel case with inlay for 8 pressing tongs Mini / cropping tongs Mini and shelf for pipe cutter up to Ø 42 mm	578295 A	112,00
Steel case with inlay for Mini Z8 adapter tongs and Z8 adapter tongs as well as 6 ROLLER'S pressing rings S (PR-2B)	574516 A	112,00
L-Boxx system case with inlay for 11 pressing tongs Mini / cropping tongs Mini and 6 pressing rings S (PR-2B)	578659 A	170,00
L-Boxx system case with inlay for Mini Z8 adapter tongs and Z8 adapter tongs as well as 14 ROLLER'S pressing rings S (PR-2B)	574704 A	170,00