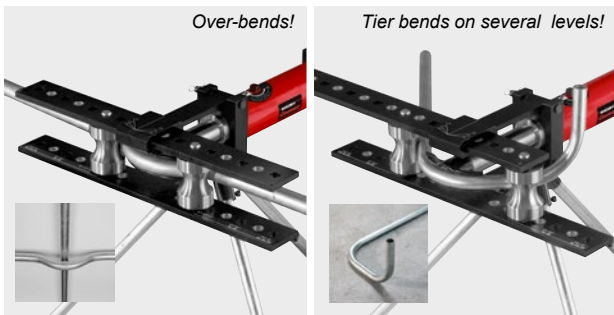


ROLLER'S *Convex*



German Top Quality



Robust, compact, oil-hydraulic pipe bender for steel pipes EN 10255 Ø ¾–2", composite pipes Ø 32–75 mm.

- For easy, effortless and fast bending, up to 90°. Also for over-bends and tier bends.
- Universal use for locksmith work, sanitary and heating installation and machine and plant engineering.
- Pipe bender is amortised after just a few bends by saving on fittings. No costs for fittings, storage, procurement. Saving of welds, press connections and working time. Increased safety due to fewer pipe connections.
- Robust oil-hydraulic drive unit with closed, maintenance-free hydraulic system, for the entire working range up to Ø 75 mm, Ø 2".
- Oil-hydraulic drive unit with hydraulic cylinder made from high-quality, rolled hydraulic pipe. Overload protection of the hydraulic thrust in the foremost piston and pressure release valve for safe working.
- Ergonomically designed thrust lever for strength saving pressure build-up with manual hydraulic pump. No danger of crushing due to end limiting of the thrust lever, for high work safety.
- 2 back former supports and 2 slide rollers form a closed bending frame for high rigidity and precision when bending. Upper back former support tiltable for easy insertion and removal of the pipe, with marked plug positions for the back formers according to the pipe size to be bent, with angle scale 0 to 90°. Upper back former support with laterally adjustable slide roller bearing plate for producing over-bends and tier bends according to requirements also on several levels. Can be used anywhere, any time. No setting.
- Bending formers St for steel pipes, form and pressure stable, made from highly resistant spheroidal iron. Bending formers V for multilayer composite tubes, form and pressure stable, made from torsion-free shell-cast aluminium. Fast changing of the bending formers and back formers by simple plug system.
- Marking on every bending former for dimensionally accurate bending.
- Optimum matching of bending formers and back formers guarantees material-compatible bending without cracks and creases. High strength back formers for low friction support of the thrust pressure.
- Tripod (accessory)

Scope of Delivery Art.-No. €

ROLLER'S *Convex* Set

Oil-hydraulic drive unit, back former supports with back formers, bending formers St or V, in carrying case

Set St ¾ + ½ + ¾ + 1 + 1¼"	590020 A	1.676,37
Set St ½ + ¾ + 1 + 1¼ + 1½ + 2"	590021 A	1.806,12
Set V 40 + 50 + 63	590022 A	1.702,32

Accessories

ROLLER'S Convex drive unit with back former supports and back formers	590000 A	1.479,15
Back former Ø 75 mm, pack of 2	590111 R	370,57
Tripod	590150 R	168,16
Carrying case with handles	590160 A	247,04
Angle gauge for dimensionally accurate bending	590153 R	43,18

Bending former	for pipes Ø mm/inch	Bending radius ¹⁾ mm	Bending radius ²⁾ mm	Suitable for			Art.-No.	€
				St 10255	V			
St ¾"	50			•			590051 R	46,81
St ½"	65			•			590052 R	55,84
St ¾"	85			•			590053 R	67,16
St 1"	100			•			590054 R	67,16
St 1¼"	150			•			590055 R	75,15
St 1½"	170			•			590056 R	91,03
St 2"	220			•			590057 R	137,02
V 32 mm	112	128		•			590061 R	61,76
V 40 mm	140	160		•			590058 R	78,06
V 50 mm	175	200		•			590059 R	105,88
V 63 mm	220	252		•			590060 R	149,47
V 75 mm	260	298		▲			590062 R	330,08

St 10255: Steel pipes (threaded pipes) EN 10255 (DIN 2440)
 V: Multilayer composite pipes of the pressfitting systems
 ▲ Back former Ø 75 mm, pack of 2 (Art.-No. 590111) required
¹⁾ Bending radius mm on the inside of the bend (EN 10255)
²⁾ Bending radius mm at the neutral axis of the bend (DVGW VP 632)