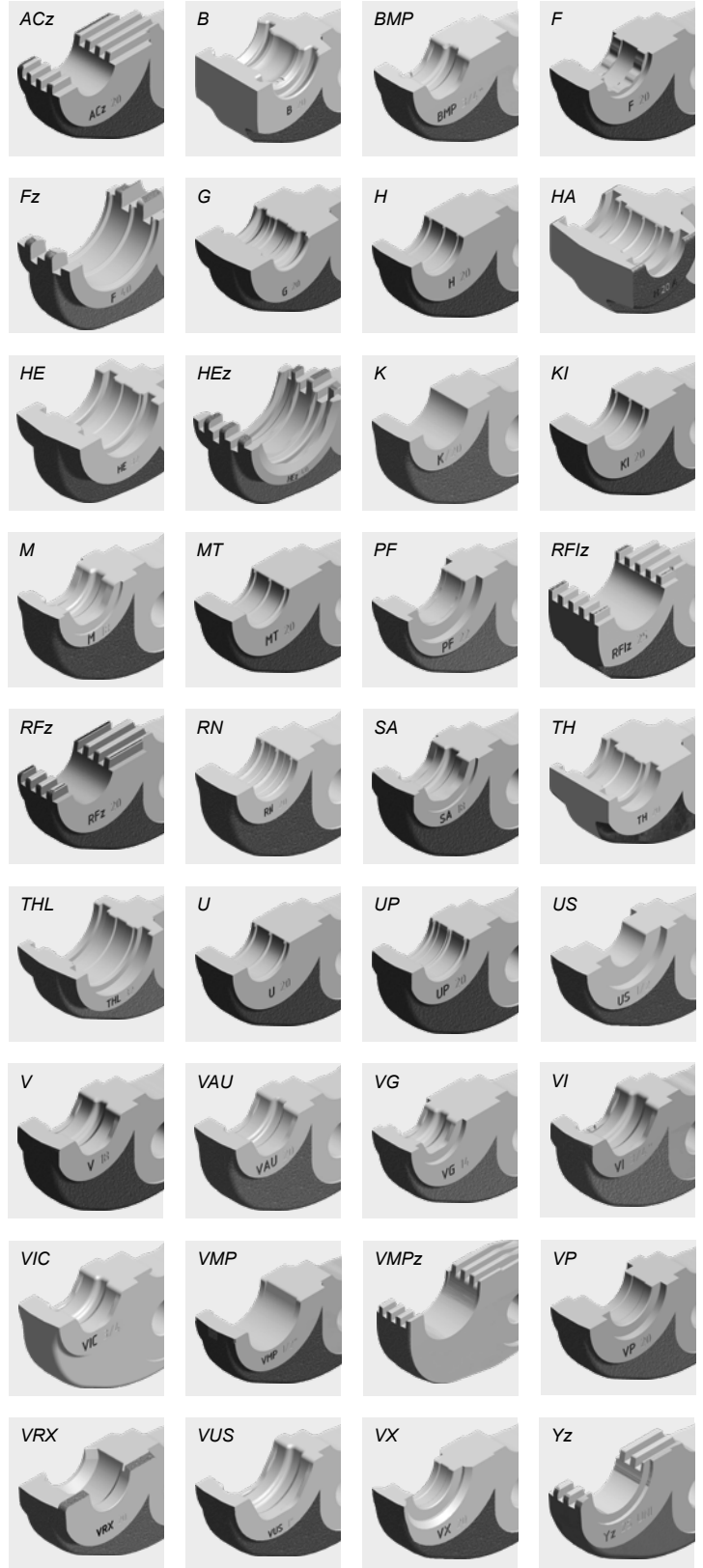


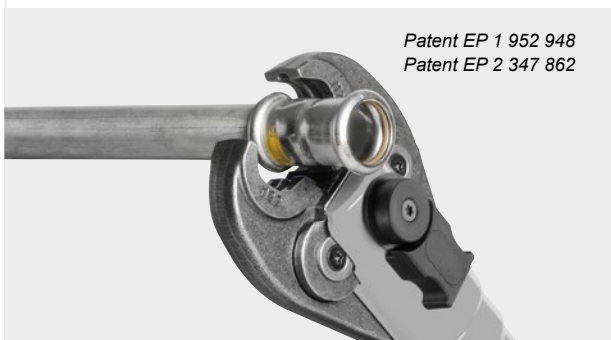
# ROLLER'S *pressing tongs Mini* ROLLER'S *pressing rings*



German Top Quality



**ROLLER'S Mini pressing tongs (2B)**  
with 2 tiltable monoblock pressing jaws.



Patent EP 1 952 948  
Patent EP 2 347 862

**ROLLER'S pressing tongs Mini ACz / Fz / HEz / RFz / RFlz**  
with teeth prevent burr formation on the pressing segments

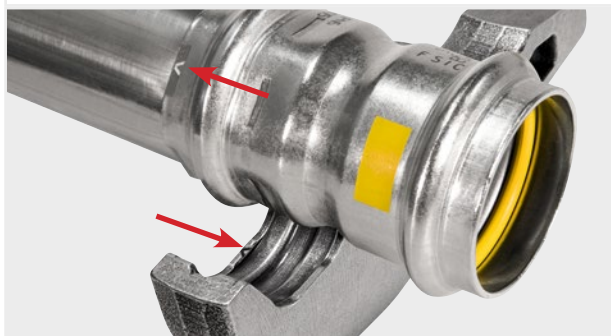


Patent EP 2 027 971

**ROLLER'S pressing ring S (PR-2B)**, continuously swivelable for accurate positioning of the pressing jaws in places with difficult access.



**Example: ROLLER'S Mini V pressing tongs: Impression "V"**  
on pressed fitting for traceability according to EN 1775:2007



Accessory for ROLLER'S 22 kN radial presses:

**System-specific pressing tongs Mini / pressing rings for all common press fitting systems.**

- Can be driven by all ROLLER'S 22 kN radial presses. Read and follow the instructions for use and assembly instructions of the system provider/ manufacturer.
- **Choose your own pressing tongs Mini / pressing rings!** Just select the desired pressfitting system and pressing tongs size / pressing ring size in the table on pages 60–89. Please note that pressfitting systems for gas installation may only be pressed with the pressing tongs Mini which are highlighted in yellow in the table.
- **ROLLER'S Mini pressing tongs (2B)**  
Very compact design and low weight of the ROLLER'S Mini pressing tongs (2B) due to special arrangement of the pressing tongs connection (**Patent EP 1 952 948**).  
Recesses in the pressing jaws for safe guidance of the connecting lugs for offset-free pressing (**Patent EP 2 347 862**).  
ROLLER'S Mini ACz/Fz/HEz/RFz/RFlz pressing tongs with teeth prevent burr formation on the pressfitting (**Patent EP 2 027 971**).
- **ROLLER'S pressing ring S (PR-2B)**  
Pressing ring S (PR-2B), with 2 pressing jaws, continuously swivelable for accurate positioning of the pressing jaws in places with difficult access. Adapter tongs required, see page 89. All pressing rings S (PR-2B) marked with \*\* can also be driven with the manual radial press ROLLER'S Easy-Press (page 90) using the adapter tong Z8.
- Precisely worked and exactly rounded, system-specific press contour according to the respective pressfitting system for perfectly system-conformant, reliable pressing.
- The pressing tongs / pressing rings are made from tenacious, specially hardened special steel and they are therefore highly resistant. For maximum quality demands and long life.
- Confirmations of suitability see page 52.
- SHK liability acceptance agreements see page 53.

**Traceability according to EN 1775:2007.**

- ROLLER'S pressing tongs Mini with press contour F, M, V, SA, B, RN and UP have worked a specific marking in the press contour which leaves a lasting impression directly on the pressed fitting after the pressing process. This enables the user to check again whether the most suitable pressing tongs Mini have been used to make the pressfit connection even after the pressing process.
- With this traceability ROLLER fulfils the recommendation of the European standard EN 1775:2007 for the installation of pressfitting systems for gas.



System	Pressing tongs Mini/pressing rings	Drive with adapter tongs	Art.-No.	€	System	Pressing tongs Mini/pressing rings	Drive with adapter tongs	Art.-No.	€
AHLSSELL	M 12		578310	146,98	ALB	TH 16		578352 R	177,08
A-press	M 15		578312	146,98	Sistema Multicapa	TH 18		578356	177,08
elförzinkad M	M 18		578314	146,98	para calefacción y sanitario	TH 20		578358 R	177,08
	M 22		578316	146,98		TH 26		578362 R	177,08
	M 28		578318	146,98		TH 32		578364	177,08
	M 35		578390	178,12		TH 40		578624	234,69
	M 12 S (PR-2B)	Mini Z8	574736 R	124,51		TH 16 S (PR-2B)**	Mini Z8	574782 R	124,51
	M 15 S (PR-2B)	Mini Z8	574738 R	124,51		TH 18 S (PR-2B)**	Mini Z8	574786 R	124,51
	M 18 S (PR-2B)	Mini Z8	574740 R	124,51		TH 20 S (PR-2B)**	Mini Z8	574788 R	124,51
	M 22 S (PR-2B)	Mini Z8	574742 R	124,51		TH 26 S (PR-2B)**	Mini Z8	574794 R	124,51
	M 28 S (PR-2B)	Mini Z8	574744 R	124,51		TH 32 S (PR-2B)	Mini Z8	574798 R	136,96
	M 35 S (PR-2B)	Mini Z8	574746 R	136,96		H 16		578400	159,75
AHLSSELL	V 12		578324	146,98		H 18		578404	159,75
A-press	V 15		578328	146,98		H 20		578406	159,75
elförzinkad V	V 18		578332	146,98		H 26		578410	159,75
	V 22		578334	146,98		H 32		578412	159,75
	V 28		578336	146,98		U 16		578374	165,66
	V 35		578604	178,12		U 18		578376	165,66
	V 12 S (PR-2B)	Mini Z8	574748 R	124,51		U 20		578378	165,66
	V 15 S (PR-2B)	Mini Z8	574752 R	124,51		U 26 <sup>7)</sup>		578392	194,31
	V 18 S (PR-2B)	Mini Z8	574756 R	124,51		U 32		578382	194,31
	V 22 S (PR-2B)	Mini Z8	574758 R	124,51		U 40		578386	236,66
	V 28 S (PR-2B)	Mini Z8	574760 R	124,51	ALB	TH 16		578352 R	177,08
	V 35 S (PR-2B)	Mini Z8	574762 R	136,96	Sistema Multicapa	TH 20		578358 R	177,08
AHLSSELL	M 12		578310	146,98	para gas	TH 26		578362 R	177,08
A-press koppar M	M 15		578312	146,98		TH 32		578364	177,08
	M 18		578314	146,98		TH 16 S (PR-2B)**	Mini Z8	574782 R	124,51
	M 22		578316	146,98		TH 20 S (PR-2B)**	Mini Z8	574788 R	124,51
	M 28		578318	146,98		TH 26 S (PR-2B)**	Mini Z8	574794 R	124,51
	M 35		578390	178,12		TH 32 S (PR-2B)	Mini Z8	574798 R	136,96
	M 12 S (PR-2B)	Mini Z8	574736 R	124,51		H 16		578400	159,75
	M 15 S (PR-2B)	Mini Z8	574738 R	124,51		H 20		578406	159,75
	M 18 S (PR-2B)	Mini Z8	574740 R	124,51		H 26		578410	159,75
	M 22 S (PR-2B)	Mini Z8	574742 R	124,51		H 32		578412	159,75
	M 28 S (PR-2B)	Mini Z8	574744 R	124,51		U 16		578374	165,66
	M 35 S (PR-2B)	Mini Z8	574746 R	136,96		U 20		578378	165,66
AHLSSELL	V 12		578324	146,98		U 26 <sup>7)</sup>		578392	194,31
A-press koppar V	V 15		578328	146,98		U 32		578382	194,31
	V 18		578332	146,98	ALTECH Altech	RFz 12		578490	184,45
	V 22		578334	146,98		RFz 16		578492	184,45
	V 28		578336	146,98		RFz 20		578494	184,45
	V 35		578604	178,12		RFz 25		578496	184,45
	V 12 S (PR-2B)	Mini Z8	574748 R	124,51	APE MULTYGAS	TH 16		578352 R	177,08
	V 15 S (PR-2B)	Mini Z8	574752 R	124,51	Serie AP Gas	TH 20		578358 R	177,08
	V 18 S (PR-2B)	Mini Z8	574756 R	124,51		TH 26		578362 R	177,08
	V 22 S (PR-2B)	Mini Z8	574758 R	124,51		TH 32		578364	177,08
	V 28 S (PR-2B)	Mini Z8	574760 R	124,51		TH 16 S (PR-2B)**	Mini Z8	574782 R	124,51
	V 35 S (PR-2B)	Mini Z8	574762 R	136,96		TH 20 S (PR-2B)**	Mini Z8	574788 R	124,51
AHLSSELL	M 15		578312	146,98		TH 26 S (PR-2B)**	Mini Z8	574794 R	124,51
A-press rostfritt	M 18		578314	146,98		TH 32 S (PR-2B)	Mini Z8	574798 R	136,96
	M 22		578316	146,98	APE Serie AP	B 16		578468	193,28
	M 28		578318	146,98		B 20		578472	193,28
	M 35		578390	178,12		B 26		578474	213,00
	M 15 S (PR-2B)	Mini Z8	574738 R	124,51		B 32		578476	213,00
	M 18 S (PR-2B)	Mini Z8	574740 R	124,51		H 16		578400	159,75
	M 22 S (PR-2B)	Mini Z8	574742 R	124,51		H 20		578406	159,75
	M 28 S (PR-2B)	Mini Z8	574744 R	124,51		H 26		578410	159,75
	M 35 S (PR-2B)	Mini Z8	574746 R	136,96		H 32		578412	159,75
AIRBEL	M 15		578312	146,98		TH 16		578352 R	177,08
PRESSCLIM	M 18		578314	146,98		TH 18		578356	177,08
	M 22		578316	146,98		TH 20		578358 R	177,08
	M 28		578318	146,98		TH 26		578362 R	177,08
	M 35		578390	178,12		TH 32		578364	177,08
	M 15 S (PR-2B)	Mini Z8	574738 R	124,51		TH 16 S (PR-2B)**	Mini Z8	574782 R	124,51
	M 18 S (PR-2B)	Mini Z8	574740 R	124,51		TH 18 S (PR-2B)**	Mini Z8	574786 R	124,51
	M 22 S (PR-2B)	Mini Z8	574742 R	124,51		TH 20 S (PR-2B)**	Mini Z8	574788 R	124,51
	M 28 S (PR-2B)	Mini Z8	574744 R	124,51		TH 26 S (PR-2B)**	Mini Z8	574794 R	124,51
	M 35 S (PR-2B)	Mini Z8	574746 R	136,96		TH 32 S (PR-2B)	Mini Z8	574798 R	136,96
AIRBEL	M 15		578312	146,98		U 16		578374	165,66
SERTINOX	M 18		578314	146,98		U 20		578378	165,66
	M 22		578316	146,98					
	M 28		578318	146,98					
	M 35		578390	178,12					
	M 15 S (PR-2B)	Mini Z8	574738 R	124,51					
	M 18 S (PR-2B)	Mini Z8	574740 R	124,51					
	M 22 S (PR-2B)	Mini Z8	574742 R	124,51					
	M 28 S (PR-2B)	Mini Z8	574744 R	124,51					
	M 35 S (PR-2B)	Mini Z8	574746 R	136,96					

Pressfitting systems for gas installations may only be pressed with the pressing tongs Mini which are highlighted in yellow in the table.

Observe the national regulations. Read and observe the system provider's/manufacturer's instructions for use and assembly instructions.

\*\* Can also be driven by the ROLLER'S Easy-Press manual radial press using the Z8 adapter tongs, see page 90. Observe the national regulations.

<sup>1)</sup> Only pressing tongs from designation "108" (1<sup>st</sup> quarter of 2008), "208" (2<sup>nd</sup> quarter of 2008) etc. can be used. The designation is stamped on every pressing jaw.

<sup>2)</sup> For accommodating suitable pressing inserts.

<sup>3)</sup> Only pressing tongs from designation "117" (1<sup>st</sup> quarter of 201), "217" (2<sup>nd</sup> quarter of 2017) etc. can be used. The designation is stamped on every pressing jaw.

<sup>4)</sup> For pipes with the EN technical standard. Observe the system provider's/manufacturer's instructions for use.

<sup>5)</sup> Only use Mini pressing tongs identified by "VMP ½" G" on the pressing jaws for gas installations.

<sup>7)</sup> Previous designation: Mini C 26 pressing tongs

<sup>9)</sup> For pipes with the ASTM technical standard. Observe the system provider's/manufacturer's instructions for use.

Suitability of the ROLLER'S pressing tools for pressfitting systems: Status 27.10.2023. The current status can be found on the Internet:

[www.albert-roller.de](http://www.albert-roller.de) → Downloads → Product Catalogues, Brochures → ROLLER Catalogue.

See page 79 for adapter tongs. Pressing tongs/pressing rings for other press fitting systems on request.



System	Pressing tongs Mini/pressing rings	Drive with adapter tongs	Art.-No.	€
AYOR	H 12		578396	159,75
FIXOCONNECT	H 16		578400	159,75
Press	H 20		578406	159,75
	H 25		578408	159,75
	RFz 12		578490	184,45
	RFz 16		578492	184,45
	RFz 20		578494	184,45
	RFz 25		578496	184,45
	U 16		578374	165,66
	U 20		578378	165,66
	U 25		578380	165,66
AYOR	H 16		578400	159,75
FIXOMULTIX	H 20		578406	159,75
	H 26		578410	159,75
	H 32		578412	159,75
	TH 16		578352 R	177,08
	TH 20		578358 R	177,08
	TH 26		578362 R	177,08
	TH 32		578364	177,08
	TH 16 S (PR-2B)**	Mini Z8	574782 R	124,51
	TH 20 S (PR-2B)**	Mini Z8	574788 R	124,51
	TH 26 S (PR-2B)**	Mini Z8	574794 R	124,51
	TH 32 S (PR-2B)	Mini Z8	574798 R	136,96
	U 16		578374	165,66
	U 20		578378	165,66
	U 32		578382	194,31
	U 40		578386	236,66
AYOR	H 16		578400	159,75
SOMATHERM	H 20		578406	159,75
FOR YOU -1	H 26		578410	159,75
	TH 16		578352 R	177,08
	TH 20		578358 R	177,08
	TH 26		578362 R	177,08
	TH 16 S (PR-2B)**	Mini Z8	574782 R	124,51
	TH 20 S (PR-2B)**	Mini Z8	574788 R	124,51
	TH 26 S (PR-2B)**	Mini Z8	574794 R	124,51
	U 16		578374	165,66
	U 20		578378	165,66
AYOR	H 12		578396	159,75
SOMATHERM	H 16		578400	159,75
FOR YOU -2	H 20		578406	159,75
	H 25		578408	159,75
	RFz 12		578490	184,45
	RFz 16		578492	184,45
	RFz 20		578494	184,45
	RFz 25		578496	184,45
	U 16		578374	165,66
	U 20		578378	165,66
	U 25		578380	165,66
<b>B</b>				
Bampi BALPEX	TH 16		578352 R	177,08
serie LP	TH 18		578356	177,08
	TH 20		578358 R	177,08
	TH 26		578362 R	177,08
	TH 32		578364	177,08
	TH 40		578624	234,69
	TH 16 S (PR-2B)**	Mini Z8	574782 R	124,51
	TH 18 S (PR-2B)**	Mini Z8	574786 R	124,51
	TH 20 S (PR-2B)**	Mini Z8	574788 R	124,51
	TH 26 S (PR-2B)**	Mini Z8	574794 R	124,51
	TH 32 S (PR-2B)	Mini Z8	574798 R	136,96
	U 16		578374	165,66
	U 18		578376	165,66
	U 20		578378	165,66
	U 26 <sup>7)</sup>		578392	194,31
	U 32		578382	194,31
Bampi BALPEX	TH 16		578352 R	177,08
serie MP	TH 18		578356	177,08
	TH 20		578358 R	177,08
	TH 26		578362 R	177,08
	TH 32		578364	177,08
	TH 40		578624	234,69
	TH 16 S (PR-2B)**	Mini Z8	574782 R	124,51
	TH 18 S (PR-2B)**	Mini Z8	574786 R	124,51
	TH 20 S (PR-2B)**	Mini Z8	574788 R	124,51
	TH 26 S (PR-2B)**	Mini Z8	574794 R	124,51
	TH 32 S (PR-2B)	Mini Z8	574798 R	136,96

System	Pressing tongs Mini/pressing rings	Drive with adapter tongs	Art.-No.	€
Bampi BALPEX	TH 16		578352 R	177,08
Gas	TH 20		578358 R	177,08
	TH 26		578362 R	177,08
	TH 16 S (PR-2B)**	Mini Z8	574782 R	124,51
	TH 20 S (PR-2B)**	Mini Z8	574788 R	124,51
	TH 26 S (PR-2B)**	Mini Z8	574794 R	124,51
BARBI EASYPRESS	H 12		578396	159,75
(Industrial Blansol)	H 16		578400	159,75
	H 20		578406	159,75
	H 25		578408	159,75
	H 32		578412	159,75
	RFz 12		578490	184,45
	RFz 16		578492	184,45
	RFz 20		578494	184,45
	RFz 25		578496	184,45
	RFz 32		578498	184,45
	U 16		578374	165,66
	U 20		578378	165,66
	U 25		578380	165,66
	U 32		578382	194,31
BARBI MULTIPLEX	H 14		578398	159,75
(Industrial Blansol)	H 16		578400	159,75
	H 18		578404	159,75
	H 20		578406	159,75
	H 25		578408	159,75
	H 26		578410	159,75
	H 32		578412	159,75
	RFz 16		578492	184,45
	RFz 18		578638	184,45
	RFz 20		578494	184,45
	RFz 25		578496	184,45
	RFz 32		578498	184,45
	TH 16		578352 R	177,08
	TH 20		578358 R	177,08
	TH 26		578362 R	177,08
	TH 32		578364	177,08
	TH 16 S (PR-2B)**	Mini Z8	574782 R	124,51
	TH 20 S (PR-2B)**	Mini Z8	574788 R	124,51
	TH 26 S (PR-2B)**	Mini Z8	574794 R	124,51
	TH 32 S (PR-2B)	Mini Z8	574798 R	136,96
	U 16		578374	165,66
	U 18		578376	165,66
	U 20		578378	165,66
	U 25		578380	165,66
	U 32		578382	194,31
	U 40		578386	236,66
BEGETUBE/	B 14		578466	193,28
IVAR	B 16		578468	193,28
	B 18		578470	193,28
	B 20		578472	193,28
	B 26		578474	213,00
	B 32		578476	213,00
Béné inox	M 15		578312	146,98
Série 41	M 18		578314	146,98
	M 22		578316	146,98
	M 28		578318	146,98
	M 35		578390	178,12
	M 15 S (PR-2B)	Mini Z8	574738 R	124,51
	M 18 S (PR-2B)	Mini Z8	574740 R	124,51
	M 22 S (PR-2B)	Mini Z8	574742 R	124,51
	M 28 S (PR-2B)	Mini Z8	574744 R	124,51
	M 35 S (PR-2B)	Mini Z8	574746 R	136,96
Brass Form	H 16		578400	159,75
Master-Al-Pex	H 18		578404	159,75
	H 20		578406	159,75
	TH 16		578352 R	177,08
	TH 18		578356	177,08
	TH 20		578358 R	177,08
	TH 26		578362 R	177,08
	TH 32		578364	177,08
	TH 16 S (PR-2B)**	Mini Z8	574782 R	124,51
	TH 18 S (PR-2B)**	Mini Z8	574786 R	124,51
	TH 20 S (PR-2B)**	Mini Z8	574788 R	124,51
	TH 26 S (PR-2B)**	Mini Z8	574794 R	124,51
	TH 32 S (PR-2B)	Mini Z8	574798 R	136,96
	U 16		578374	165,66
	U 18		578376	165,66
	U 20		578378	165,66

Pressfitting systems for gas installations may only be pressed with the pressing tongs Mini which are highlighted in yellow in the table.

Observe the national regulations. Read and observe the system provider's/manufacturer's instructions for use and assembly instructions.

\*\* Can also be driven by the ROLLER'S Easy-Press manual radial press using the Z8 adapter tongs, see page 90. Observe the national regulations.

<sup>1)</sup> Only pressing tongs from designation "108" (1<sup>st</sup> quarter of 2008), "208" (2<sup>nd</sup> quarter of 2008) etc. can be used. The designation is stamped on every pressing jaw.

<sup>2)</sup> For accommodating suitable pressing inserts.

<sup>3)</sup> Only pressing tongs from designation "117" (1<sup>st</sup> quarter of 201), "217" (2<sup>nd</sup> quarter of 2017) etc. can be used. The designation is stamped on every pressing jaw.

<sup>4)</sup> For pipes with the EN technical standard. Observe the system provider's/manufacturer's instructions for use.

<sup>5)</sup> Only use Mini pressing tongs identified by "VMP ½" G" on the pressing jaws for gas installations.

<sup>7)</sup> Previous designation: Mini C 26 pressing tongs

<sup>9)</sup> For pipes with the ASTM technical standard. Observe the system provider's/manufacturer's instructions for use.

Suitability of the ROLLER'S pressing tools for pressfitting systems: Status 27.10.2023. The current status can be found on the Internet:

[www.albert-roller.de](http://www.albert-roller.de) → Downloads → Product Catalogues, Brochures → ROLLER Catalogue.

See page 79 for adapter tongs. Pressing tongs/pressing rings for other press fitting systems on request.

System	Pressing tongs Mini/pressing rings	Drive with adapter tongs	Art.-No.	€
Brass & Fittings PRESSMAN MultiPress	RFz 16		578492	184,45
	RFz 18		578638	184,45
	ACz 20		578612	184,45
	RFz 25		578496	184,45
	RFz 32		578498	184,45
Brass & Fittings PRESSMAN RetiPress	RFz 16		578492	184,45
	RFz 18		578638	184,45
	ACz 20		578612	184,45
	RFz 25		578496	184,45
	RFz 32		578498	184,45
BRASSTECH MULTIthermoSAN	B 16		578468	193,28
	B 20		578472	193,28
Brasspress	B 26		578474	213,00
	B 32		578476	213,00
	F 16		578456	168,68
	F 20		578460	168,68
	F 26		578462	182,48
	F 16 S (PR-2B)**	Mini Z8	574728 R	124,51
	F 20 S (PR-2B)**	Mini Z8	574730 R	124,51
	F 26 S (PR-2B)**	Mini Z8	574732 R	124,51
	H 16		578400	159,75
	H 18		578404	159,75
	H 20		578406	159,75
	H 26		578410	159,75
	TH 16		578352 R	177,08
	TH 18		578356	177,08
	TH 20		578358 R	177,08
	TH 26		578362 R	177,08
	TH 32		578364	177,08
	TH 40		578624	234,69
	TH 16 S (PR-2B)**	Mini Z8	574782 R	124,51
	TH 18 S (PR-2B)**	Mini Z8	574786 R	124,51
	TH 20 S (PR-2B)**	Mini Z8	574788 R	124,51
	TH 26 S (PR-2B)**	Mini Z8	574794 R	124,51
	TH 32 S (PR-2B)	Mini Z8	574798 R	136,96
	U 16		578374	165,66
U 18		578376	165,66	
U 20		578378	165,66	
U 26 <sup>7)</sup>		578392	194,31	
U 32		578382	194,31	

## C

Cello Products <B>Press	VUS ½" (OD 15,9 mm)		578566	177,50	
	VUS ¾" (OD 22,2 mm)		578568	177,50	
	VUS 1" (OD 28,6 mm)		578570	177,50	
	VUS 1¼" (OD 34,9 mm)		578606	177,50	
CGR DYN AFLU multicouche	H 16		578400	159,75	
	H 20		578406	159,75	
	H 26		578410	159,75	
	H 32		578412	159,75	
	TH 16		578352 R	177,08	
	TH 20		578358 R	177,08	
	TH 26		578362 R	177,08	
	TH 32		578364	177,08	
	TH 40		578624	234,69	
	TH 16 S (PR-2B)**	Mini Z8	574782 R	124,51	
	TH 20 S (PR-2B)**	Mini Z8	574788 R	124,51	
	TH 26 S (PR-2B)**	Mini Z8	574794 R	124,51	
	TH 32 S (PR-2B)	Mini Z8	574798 R	136,96	
	U 16		578374	165,66	
	U 20		578378	165,66	
	U 26 <sup>7)</sup>		578392	194,31	
	U 32		578382	194,31	
	U 40		578386	236,66	
	CGR DYN AFLU PER	H 12		578396	159,75
		H 16		578400	159,75
H 20			578406	159,75	
H 25			578408	159,75	
RFz 12			578490	184,45	
CHIALI CHIALIPEX	RFz 16		578492	184,45	
	RFz 20		578494	184,45	
	RFz 25		578496	184,45	
	TH 16		578352 R	177,08	
	TH 20		578358 R	177,08	
Climatrix Climatrix Rhinopex	TH 26		578362 R	177,08	
	TH 32		578364	177,08	
	TH 40		578624	234,69	
	H 16		578400	159,75	
	H 20		578406	159,75	
	U 16		578374	165,66	
	U 20		578378	165,66	
	TH 14		578348	177,08	
	TH 16		578352 R	177,08	
	TH 18		578356	177,08	
	TH 20		578358 R	177,08	
	TH 26		578362 R	177,08	
	TH 32		578364	177,08	
	TH 16 S (PR-2B)**	Mini Z8	574782 R	124,51	
TH 20 S (PR-2B)**	Mini Z8	574788 R	124,51		
TH 26 S (PR-2B)**	Mini Z8	574794 R	124,51		
TH 32 S (PR-2B)	Mini Z8	574798 R	136,96		

System	Pressing tongs Mini/pressing rings	Drive with adapter tongs	Art.-No.	€
Climatrix	TH 11,6		578344	177,08
	TH 16		578352 R	177,08
Variotherm	TH 16		578352 R	177,08
System TH	TH 16 S (PR-2B)**	Mini Z8	574782 R	124,51
	TH 16 S (PR-2B)**	Mini Z8	574782 R	124,51
ClouSet	TH 16		578352 R	177,08
	TH 18		578356	177,08
	TH 20		578358 R	177,08
	TH 16 S (PR-2B)**	Mini Z8	574782 R	124,51
	TH 18 S (PR-2B)**	Mini Z8	574786 R	124,51
Comap	TH 20 S (PR-2B)**	Mini Z8	574788 R	124,51
	RFz 12		578490	184,45
	RFz 16		578492	184,45
PEX Press	RFz 20		578494	184,45
	RFz 25		578496	184,45
Comap Multiskin	TH 14		578348	177,08
	TH 16		578352 R	177,08
	TH 18		578356	177,08
	TH 20		578358 R	177,08
	TH 26		578362 R	177,08
	TH 32		578364	177,08
	THL 32		578368	177,08
	TH 40		578624	234,69
	TH 16 S (PR-2B)**	Mini Z8	574782 R	124,51
	TH 20 S (PR-2B)**	Mini Z8	574788 R	124,51
	TH 26 S (PR-2B)**	Mini Z8	574794 R	124,51
	TH 32 S (PR-2B)	Mini Z8	574798 R	136,96
	U 14		578372	174,38
	U 16		578374	165,66
	U 18		578376	165,66
	U 20		578378	165,66
	U 32		578382	194,31
	H 14		578398	159,75
	H 16		578400	159,75
	H 18		578404	159,75
H 20		578406	159,75	
H 26		578410	159,75	
H 32		578412	159,75	
Comap Multiskin Gas	TH 16		578352 R	177,08
	TH 20		578358 R	177,08
	TH 26		578362 R	177,08
	TH 32		578364	177,08
	THL 32		578368	177,08
	TH 16 S (PR-2B)**	Mini Z8	574782 R	124,51
	TH 20 S (PR-2B)**	Mini Z8	574788 R	124,51
	TH 26 S (PR-2B)**	Mini Z8	574794 R	124,51
	TH 32 S (PR-2B)	Mini Z8	574798 R	136,96
	U 16		578374	165,66
	U 20		578378	165,66
COMISA Press System	U 32		578382	194,31
	H 16		578400	159,75
	H 20		578406	159,75
	H 26		578410	159,75
	H 32		578412	159,75
	TH 14		578348	177,08
	TH 16		578352 R	177,08
	TH 18		578356	177,08
	TH 20		578358 R	177,08
	TH 25		578360	177,08
	TH 26		578362 R	177,08
	TH 32		578364	177,08
	TH 40		578624	234,69
	TH 14 S (PR-2B)**	Mini Z8	574778 R	124,51
	TH 16 S (PR-2B)**	Mini Z8	574782 R	124,51
	TH 18 S (PR-2B)**	Mini Z8	574786 R	124,51
	TH 20 S (PR-2B)**	Mini Z8	574788 R	124,51
	TH 25 S (PR-2B)**	Mini Z8	574792 R	124,51
	TH 26 S (PR-2B)**	Mini Z8	574794 R	124,51
	TH 32 S (PR-2B)	Mini Z8	574798 R	136,96
H 14		578398	159,75	
H 16		578400	159,75	
H 18		578404	159,75	
H 20		578406	159,75	
H 26		578410	159,75	
H 32		578412	159,75	
B 14		578466	193,28	
B 16		578468	193,28	
B 18		578470	193,28	
B 20		578472	193,28	
B 26		578474	213,00	
B 32		578476	213,00	
COMISA Press System Gas	TH 16		578352 R	177,08
	TH 20		578358 R	177,08
	TH 26		578362 R	177,08
	TH 32		578364	177,08
	TH 16 S (PR-2B)**	Mini Z8	574782 R	124,51
	TH 20 S (PR-2B)**	Mini Z8	574788 R	124,51
TH 26 S (PR-2B)**	Mini Z8	574794 R	124,51	
TH 32 S (PR-2B)	Mini Z8	574798 R	136,96	

System	Pressing tongs Mini/pressing rings	Drive with adapter tongs	Art.-No.	€	System	Pressing tongs Mini/pressing rings	Drive with adapter tongs	Art.-No.	€
CONEL	M 15		578312	146,98	Conex Bänninger	F 16		578456	168,68
CONNECT INOX	M 18		578314	146,98	>B< Flex	F 18		578458	168,68
	M 22		578316	146,98		F 20		578460	168,68
	V 15		578328	146,98		F 32		578464	182,48
	V 18		578332	146,98		F 16 S (PR-2B)**	Mini Z8	574728 R	124,51
	V 22		578334	146,98		F 20 S (PR-2B)**	Mini Z8	574730 R	124,51
CONEL	F 16		578456	168,68		F 32 S (PR-2B)	Mini Z8	574734 R	136,96
CONNECT	F 20		578460	168,68		H 16		578400	159,75
MULTI	F 26		578462	182,48		H 18		578404	159,75
	F 32		578464	182,48		H 20		578406	159,75
	F 16 S (PR-2B)**	Mini Z8	574728 R	124,51		H 25		578408	159,75
	F 20 S (PR-2B)**	Mini Z8	574730 R	124,51		H 32		578412	159,75
	F 26 S (PR-2B)**	Mini Z8	574732 R	124,51		RFz 16		578492	184,45
	F 32 S (PR-2B)**	Mini Z8	574734 R	136,96		RFz 18		578638	184,45
	H 16		578400	159,75		RFz 20		578494	184,45
	H 20		578406	159,75		RFz 25		578496	184,45
	H 26		578410	159,75		RFz 32		578498	184,45
	H 32		578412	159,75		TH 16		578352 R	177,08
	TH 16		578352 R	177,08		TH 18		578356	177,08
	TH 20		578358 R	177,08		TH 20		578358 R	177,08
	TH 26		578362 R	177,08		TH 25		578360	177,08
	TH 32		578364	177,08		TH 32		578364	177,08
	TH 16 S (PR-2B)**	Mini Z8	574782 R	124,51		TH 16 S (PR-2B)**	Mini Z8	574782 R	124,51
	TH 20 S (PR-2B)**	Mini Z8	574788 R	124,51		TH 18 S (PR-2B)**	Mini Z8	574786 R	124,51
	TH 26 S (PR-2B)**	Mini Z8	574794 R	124,51		TH 20 S (PR-2B)**	Mini Z8	574788 R	124,51
	TH 32 S (PR-2B)**	Mini Z8	574798 R	136,96		TH 32 S (PR-2B)	Mini Z8	574798 R	136,96
	U 16		578374	165,66		U 16		578374	165,66
	U 20		578378	165,66		U 18		578376	165,66
(DN 26)	U 25		578380	165,66		U 20		578378	165,66
	U 32		578382	194,31		U 25		578380	165,66
	VP 16		578482	176,56		U 32		578382	194,31
	VP 20		578484	176,56		Conex Bänninger	F 16	578456	168,68
	VP 32		578488	195,25	>B< Flex Gas	F 18	578458	168,68	
CONEL	F 16		578456	168,68		F 20		578460	168,68
CONNECT	F 20		578460	168,68		F 32		578464	182,48
MV2	F 26		578462	182,48		F 16 S (PR-2B)**	Mini Z8	574728 R	124,51
	F 32		578464	182,48		F 20 S (PR-2B)**	Mini Z8	574730 R	124,51
	F 16 S (PR-2B)**	Mini Z8	574728 R	124,51		F 32 S (PR-2B)	Mini Z8	574734 R	136,96
	F 20 S (PR-2B)**	Mini Z8	574730 R	124,51		H 16		578400	159,75
	F 26 S (PR-2B)**	Mini Z8	574732 R	124,51		H 18		578404	159,75
	F 32 S (PR-2B)**	Mini Z8	574734 R	136,96		H 20		578406	159,75
	TH 16		578352 R	177,08		H 25		578408	159,75
	TH 20		578358 R	177,08		H 32		578412	159,75
	TH 26		578362 R	177,08		RFz 16		578492	184,45
	TH 32		578364	177,08		RFz 18		578638	184,45
	TH 16 S (PR-2B)**	Mini Z8	574782 R	124,51		RFz 20		578494	184,45
	TH 20 S (PR-2B)**	Mini Z8	574788 R	124,51		RFz 25		578496	184,45
	TH 26 S (PR-2B)**	Mini Z8	574794 R	124,51		RFz 32		578498	184,45
	TH 32 S (PR-2B)**	Mini Z8	574798 R	136,96		TH 16		578352 R	177,08
Conex Bänninger	M 15		578312	146,98		TH 18		578356	177,08
<A> Press Inox	M 18		578314	146,98		TH 20		578358 R	177,08
(304)	M 22		578316	146,98		TH 25		578360	177,08
	M 28		578318	146,98		TH 32		578364	177,08
	M 35		578390	178,12		TH 16 S (PR-2B)**	Mini Z8	574782 R	124,51
	M 15 S (PR-2B)	Mini Z8	574738 R	124,51		TH 18 S (PR-2B)**	Mini Z8	574786 R	124,51
	M 18 S (PR-2B)	Mini Z8	574740 R	124,51		TH 20 S (PR-2B)**	Mini Z8	574788 R	124,51
	M 22 S (PR-2B)	Mini Z8	574742 R	124,51		TH 32 S (PR-2B)	Mini Z8	574798 R	136,96
	M 28 S (PR-2B)	Mini Z8	574744 R	124,51		U 16		578374	165,66
	M 35 S (PR-2B)	Mini Z8	574746 R	136,96		U 18		578376	165,66
Conex Bänninger	M 15		578312	146,98		U 20		578378	165,66
<A> Press Inox	M 18		578314	146,98		U 25		578380	165,66
(316L)	M 22		578316	146,98		U 32		578382	194,31
	M 28		578318	146,98	Conex Bänninger	BMP ¼"		578700	175,53
	M 35		578390	178,12	>B< MaxiPro	BMP ⅜"		578702	175,53
	M 15 S (PR-2B)	Mini Z8	574738 R	124,51		BMP ½"		578704	175,53
	M 18 S (PR-2B)	Mini Z8	574740 R	124,51		BMP ¾"		578706	175,53
	M 22 S (PR-2B)	Mini Z8	574742 R	124,51		BMP 1"		578710	175,53
	M 28 S (PR-2B)	Mini Z8	574744 R	124,51		BMP 1 ¼"		578712	175,53
	M 35 S (PR-2B)	Mini Z8	574746 R	136,96				578714	175,53

Pressfitting systems for gas installations may only be pressed with the pressing tongs Mini which are highlighted in yellow in the table.

Observe the national regulations. Read and observe the system provider's/manufacturer's instructions for use and assembly instructions.

\*\* Can also be driven by the ROLLER'S Easy-Press manual radial press using the Z8 adapter tongs, see page 90. Observe the national regulations.

1) Only pressing tongs from designation "108" (1<sup>st</sup> quarter of 2008), "208" (2<sup>nd</sup> quarter of 2008) etc. can be used. The designation is stamped on every pressing jaw.

2) For accommodating suitable pressing inserts.

3) Only pressing tongs from designation "117" (1<sup>st</sup> quarter of 201), "217" (2<sup>nd</sup> quarter of 2017) etc. can be used. The designation is stamped on every pressing jaw.

4) For pipes with the EN technical standard. Observe the system provider's/manufacturer's instructions for use.

5) Only use Mini pressing tongs identified by "VMP ½" G" on the pressing jaws for gas installations.

7) Previous designation: Mini C 26 pressing tongs

5) For pipes with the ASTM technical standard. Observe the system provider's/manufacturer's instructions for use.

Suitability of the ROLLER'S pressing tools for pressfitting systems: Status 27.10.2023. The current status can be found on the Internet:

www.albert-roller.de → Downloads → Product Catalogues, Brochures → ROLLER Catalogue.

See page 79 for adapter tongs. Pressing tongs/pressing rings for other press fitting systems on request.



# ROLLER'S pressing tongs Mini / pressing rings

Accessory for ROLLER'S 22kN radial presses

System	Pressing tongs Mini/pressing rings	Drive with adapter tongs	Art.-No.	€	
Conex Bänninger >B< Press	V 12		578324	146,98	
	V 14		578326	146,98	
	V 15		578328	146,98	
	V 16		578330	146,98	
	V 18		578332	146,98	
	V 22		578334	146,98	
	V 28		578336	146,98	
	V 35		578604	178,12	
	V 12 S (PR-2B)	Mini Z8	574748 R	124,51	
	V 14 S (PR-2B)	Mini Z8	574800 R	124,51	
	V 15 S (PR-2B)	Mini Z8	574752 R	124,51	
	V 16 S (PR-2B)	Mini Z8	574802 R	124,51	
	V 18 S (PR-2B)	Mini Z8	574756 R	124,51	
	V 22 S (PR-2B)	Mini Z8	574758 R	124,51	
	V 28 S (PR-2B)	Mini Z8	574760 R	124,51	
	V 35 S (PR-2B)	Mini Z8	574762 R	136,96	
	M 15		578312	146,98	
	M 22		578316	146,98	
	M 28		578318	146,98	
	Conex Bänninger >B< Press Carbon	V 15		578328	146,98
		V 18		578332	146,98
V 22			578334	146,98	
V 28			578336	146,98	
V 35			578604	178,12	
V 15 S (PR-2B)		Mini Z8	574752 R	124,51	
V 18 S (PR-2B)		Mini Z8	574756 R	124,51	
V 22 S (PR-2B)		Mini Z8	574758 R	124,51	
V 28 S (PR-2B)		Mini Z8	574760 R	124,51	
V 35 S (PR-2B)		Mini Z8	574762 R	136,96	
Conex Bänninger >B< Press Gas		V 12		578324	146,98
		V 14		578326	146,98
		V 15		578328	146,98
		V 16		578330	146,98
	V 18		578332	146,98	
	V 22		578334	146,98	
	V 28		578336	146,98	
	V 35		578604	178,12	
	V 12 S (PR-2B)	Mini Z8	574748 R	124,51	
	V 14 S (PR-2B)	Mini Z8	574800 R	124,51	
	V 15 S (PR-2B)	Mini Z8	574752 R	124,51	
	V 16 S (PR-2B)	Mini Z8	574802 R	124,51	
	V 18 S (PR-2B)	Mini Z8	574756 R	124,51	
	V 22 S (PR-2B)	Mini Z8	574758 R	124,51	
V 28 S (PR-2B)	Mini Z8	574760 R	124,51		
V 35 S (PR-2B)	Mini Z8	574762 R	136,96		
Conex Bänninger >B< Press Inox	V 15		578328	146,98	
	V 18		578332	146,98	
	V 22		578334	146,98	
	V 28		578336	146,98	
	V 35		578604	178,12	
	V 15 S (PR-2B)	Mini Z8	574752 R	124,51	
	V 18 S (PR-2B)	Mini Z8	574756 R	124,51	
	V 22 S (PR-2B)	Mini Z8	574758 R	124,51	
	V 28 S (PR-2B)	Mini Z8	574760 R	124,51	
	V 35 S (PR-2B)	Mini Z8	574762 R	136,96	
	Conex Bänninger >B< Press Solar	V 12		578324	146,98
		V 14		578326	146,98
		V 15		578328	146,98
		V 16		578330	146,98
V 18			578332	146,98	
V 22			578334	146,98	
V 28			578336	146,98	
V 35			578604	178,12	
V 12 S (PR-2B)		Mini Z8	574748 R	124,51	
V 14 S (PR-2B)		Mini Z8	574800 R	124,51	
V 15 S (PR-2B)		Mini Z8	574752 R	124,51	
V 16 S (PR-2B)		Mini Z8	574802 R	124,51	
V 18 S (PR-2B)		Mini Z8	574756 R	124,51	
V 22 S (PR-2B)		Mini Z8	574758 R	124,51	
V 28 S (PR-2B)	Mini Z8	574760 R	124,51		
V 35 S (PR-2B)	Mini Z8	574762 R	136,96		
<b>D</b>					
Debrunner Acifer d-a Presssystem C-Stahl	M 12		578310	146,98	
	M 15		578312	146,98	
	M 18		578314	146,98	
	M 22		578316	146,98	
	M 28		578318	146,98	
	M 35		578390	178,12	
	M 12 S (PR-2B)	Mini Z8	574736 R	124,51	
	M 15 S (PR-2B)	Mini Z8	574738 R	124,51	
	M 18 S (PR-2B)	Mini Z8	574740 R	124,51	
	M 22 S (PR-2B)	Mini Z8	574742 R	124,51	
	M 28 S (PR-2B)	Mini Z8	574744 R	124,51	
	M 35 S (PR-2B)	Mini Z8	574746 R	136,96	
	DUOPIPE SYSTEMS	U 16		578374	165,66
	DUOFLI MKSYSTEM	U 18		578376	165,66
	U 20		578378	165,66	
	U 25		578380	165,66	
	U 32		578382	194,31	
DW Verbundrohr multitubo systems	U 16		578374	165,66	
	U 18		578376	165,66	
	U 20		578378	165,66	
	U 25		578380	165,66	
	U 32		578382	194,31	

System	Pressing tongs Mini/pressing rings	Drive with adapter tongs	Art.-No.	€	
<b>E</b>					
EBRILLE Isomomflex	U 16		578374	165,66	
	U 20		578378	165,66	
	U 25		578380	165,66	
	U 32		578382	194,31	
	H 26		578410	159,75	
	TH 26		578362 R	177,08	
	TH 26 S (PR-2B)**	Mini Z8	574794 R	124,51	
	EBRILLE Monflex	U 16		578374	165,66
	U 20		578378	165,66	
	U 25		578380	165,66	
U 32		578382	194,31		
H 26		578410	159,75		
TH 26		578362 R	177,08		
TH 26 S (PR-2B)**	Mini Z8	574794 R	124,51		
EFFEBI	M 15		578312	146,98	
EFFEBI-PRESS	M 18		578314	146,98	
Aisi316	M 22		578316	146,98	
System M Profile <sup>1)</sup>	M 28		578318	146,98	
M 35		578390	178,12		
M 15 S (PR-2B)	Mini Z8	574738 R	124,51		
M 18 S (PR-2B)	Mini Z8	574740 R	124,51		
M 22 S (PR-2B)	Mini Z8	574742 R	124,51		
M 28 S (PR-2B)	Mini Z8	574744 R	124,51		
M 35 S (PR-2B)	Mini Z8	574746 R	136,96		
EFFEBI	V 12		578324	146,98	
EFFEBI-PRESS	V 15		578328	146,98	
Aisi316	V 18		578332	146,98	
System V Profile	V 22		578334	146,98	
V 28		578336	146,98		
V 35		578604	178,12		
V 12 S (PR-2B)	Mini Z8	574748 R	124,51		
V 15 S (PR-2B)	Mini Z8	574752 R	124,51		
V 18 S (PR-2B)	Mini Z8	574756 R	124,51		
V 22 S (PR-2B)	Mini Z8	574758 R	124,51		
V 28 S (PR-2B)	Mini Z8	574760 R	124,51		
V 35 S (PR-2B)	Mini Z8	574762 R	136,96		
EFFEBI	M 12		578310	146,98	
EFFEBI-PRESS	M 15		578312	146,98	
Carbon-S	M 18		578314	146,98	
System M Profile <sup>1)</sup>	M 22		578316	146,98	
M 28		578318	146,98		
M 35		578390	178,12		
M 12 S (PR-2B)	Mini Z8	574736 R	124,51		
M 15 S (PR-2B)	Mini Z8	574738 R	124,51		
M 18 S (PR-2B)	Mini Z8	574740 R	124,51		
M 22 S (PR-2B)	Mini Z8	574742 R	124,51		
M 28 S (PR-2B)	Mini Z8	574744 R	124,51		
M 35 S (PR-2B)	Mini Z8	574746 R	136,96		
EFFEBI	V 12		578324	146,98	
EFFEBI-PRESS	V 15		578328	146,98	
Carbon-S	V 18		578332	146,98	
System V Profile	V 22		578334	146,98	
V 28		578336	146,98		
V 35		578604	178,12		
V 12 S (PR-2B)	Mini Z8	574748 R	124,51		
V 15 S (PR-2B)	Mini Z8	574752 R	124,51		
V 18 S (PR-2B)	Mini Z8	574756 R	124,51		
V 22 S (PR-2B)	Mini Z8	574758 R	124,51		
V 28 S (PR-2B)	Mini Z8	574760 R	124,51		
V 35 S (PR-2B)	Mini Z8	574762 R	136,96		
EFFEBI	V 12		578324	146,98	
EFFEBI-PRESS	V 14		578326	146,98	
COPPER	V 15		578328	146,98	
V 16		578330	146,98		
V 18		578332	146,98		
V 22		578334	146,98		
V 28		578336	146,98		
V 35		578604	178,12		
V 12 S (PR-2B)	Mini Z8	574748 R	124,51		
V 14 S (PR-2B)	Mini Z8	574800 R	124,51		
V 15 S (PR-2B)	Mini Z8	574752 R	124,51		
V 16 S (PR-2B)	Mini Z8	574802 R	124,51		
V 18 S (PR-2B)	Mini Z8	574756 R	124,51		
V 22 S (PR-2B)	Mini Z8	574758 R	124,51		
V 28 S (PR-2B)	Mini Z8	574760 R	124,51		
V 35 S (PR-2B)	Mini Z8	574762 R	136,96		
EFFEBI	V 12		578324	146,98	
EFFEBI-PRESS	V 15		578328	146,98	
UNICO	V 18		578332	146,98	
V 22		578334	146,98		
V 28		578336	146,98		
V 35		578604	178,12		
V 12 S (PR-2B)	Mini Z8	574748 R	124,51		
V 15 S (PR-2B)	Mini Z8	574752 R	124,51		
V 18 S (PR-2B)	Mini Z8	574756 R	124,51		
V 22 S (PR-2B)	Mini Z8	574758 R	124,51		
V 28 S (PR-2B)	Mini Z8	574760 R	124,51		
V 35 S (PR-2B)	Mini Z8	574762 R	136,96		

System	Pressing tongs Mini/pressing rings	Drive with adapter tongs	Art.-No.	€	System	Pressing tongs Mini/pressing rings	Drive with adapter tongs	Art.-No.	€
EFFEBI	V 12		578324	146,98	EFFEBI	TH 16		578352 R	177,08
EFFEBI-PRESS	V 15		578328	146,98	TOF	TH 18		578356	177,08
UNICO	V 18		578332	146,98	MULTIPINZA	TH 20		578358 R	177,08
(GAS)	V 22		578334	146,98		TH 25		578360	177,08
	V 28		578336	146,98		TH 26		578362 R	177,08
	V 35		578604	178,12		TH 32		578364	177,08
	V 12 S (PR-2B)	Mini Z8	574748 R	124,51		TH 40		578624	234,69
	V 15 S (PR-2B)	Mini Z8	574752 R	124,51		TH 16 S (PR-2B)**	Mini Z8	574782 R	124,51
	V 18 S (PR-2B)	Mini Z8	574756 R	124,51		TH 18 S (PR-2B)**	Mini Z8	574786 R	124,51
	V 22 S (PR-2B)	Mini Z8	574758 R	124,51		TH 20 S (PR-2B)**	Mini Z8	574788 R	124,51
	V 28 S (PR-2B)	Mini Z8	574760 R	124,51		TH 25 S (PR-2B)**	Mini Z8	574792 R	124,51
	V 35 S (PR-2B)	Mini Z8	574762 R	136,96		TH 26 S (PR-2B)**	Mini Z8	574794 R	124,51
EFFEBI	M 15		578312	146,98		TH 32 S (PR-2B)	Mini Z8	574798 R	136,96
PRESSTIGE	M 18		578314	146,98		F 16		578456	168,68
	M 22		578316	146,98		F 18		578458	168,68
	M 28		578318	146,98		F 20		578460	168,68
	M 35		578390	178,12		F 26		578462	182,48
	M 15 S (PR-2B)	Mini Z8	574738 R	124,51		F 32		578464	182,48
	M 18 S (PR-2B)	Mini Z8	574740 R	124,51		Fz 40		578478	247,15
	M 22 S (PR-2B)	Mini Z8	574742 R	124,51		F 16 S (PR-2B)**	Mini Z8	574728 R	124,51
	M 28 S (PR-2B)	Mini Z8	574744 R	124,51		F 20 S (PR-2B)**	Mini Z8	574730 R	124,51
	M 35 S (PR-2B)	Mini Z8	574746 R	136,96		F 26 S (PR-2B)**	Mini Z8	574732 R	124,51
	V 15		578328	146,98		F 32 S (PR-2B)	Mini Z8	574734 R	136,96
	V 18		578332	146,98		H 16		578400	159,75
	V 22		578334	146,98		H 18		578404	159,75
	V 28		578336	146,98		H 20		578406	159,75
	V 35		578604	178,12		H 25		578408	159,75
	V 15 S (PR-2B)	Mini Z8	574752 R	124,51		H 26		578410	159,75
	V 18 S (PR-2B)	Mini Z8	574756 R	124,51		H 32		578412	159,75
	V 22 S (PR-2B)	Mini Z8	574758 R	124,51		U 16		578374	165,66
	V 28 S (PR-2B)	Mini Z8	574760 R	124,51		U 18		578376	165,66
	V 35 S (PR-2B)	Mini Z8	574762 R	136,96		U 20		578378	165,66
EFFEBI	M 15		578312	146,98		U 25		578380	165,66
PRESSTIGE 4E05	M 18		578314	146,98		U 26 <sup>7)</sup>		578392	194,31
	M 22		578316	146,98		U 32		578382	194,31
	M 28		578318	146,98		U 40		578386	236,66
	M 35		578390	178,12		B 16		578468	193,28
	M 15 S (PR-2B)	Mini Z8	574738 R	124,51		B 18		578470	193,28
	M 18 S (PR-2B)	Mini Z8	574740 R	124,51		B 20		578472	193,28
	M 22 S (PR-2B)	Mini Z8	574742 R	124,51		B 26		578474	213,00
	M 28 S (PR-2B)	Mini Z8	574744 R	124,51		B 32		578476	213,00
	M 35 S (PR-2B)	Mini Z8	574746 R	136,96					
EFFEBI	M 15		578312	146,98	EFIELD	U 16		578374	165,66
PRESSTIGE-GAS	M 18		578314	146,98	MULTILAYER PRESS	U 18		578376	165,66
	M 22		578316	146,98	DINGAS	U 20		578378	165,66
	M 28		578318	146,98		U 25		578380	165,66
	M 35		578390	178,12		U 32		578382	194,31
	M 15 S (PR-2B)	Mini Z8	574738 R	124,51	EFIELD	U 16		578374	165,66
	M 18 S (PR-2B)	Mini Z8	574740 R	124,51	MULTILAYER PRESS	U 18		578376	165,66
	M 22 S (PR-2B)	Mini Z8	574742 R	124,51	WATER	U 20		578378	165,66
	M 28 S (PR-2B)	Mini Z8	574744 R	124,51		U 25		578380	165,66
	M 35 S (PR-2B)	Mini Z8	574746 R	136,96		U 32		578382	194,31
	V 15		578328	146,98	Elkhardt	VUS ½" (OD 15,9 mm)		578566	177,50
	V 18		578332	146,98	APOLLOXPRESS	VUS ¾" (OD 22,2 mm)		578568	177,50
	V 22		578334	146,98	Fittings Copper	VUS 1" (OD 28,6 mm)		578570	177,50
	V 28		578336	146,98	and Low-Lead Brass	VUS 1¼" (OD 34,9 mm)		578606	177,50
	V 35		578604	178,12	EMMETI	B 16		578468	193,28
	V 15 S (PR-2B)	Mini Z8	574752 R	124,51	GERPEX-	B 20		578472	193,28
	V 18 S (PR-2B)	Mini Z8	574756 R	124,51	FIVPRESS	B 26		578474	213,00
	V 22 S (PR-2B)	Mini Z8	574758 R	124,51		B 32		578476	213,00
	V 28 S (PR-2B)	Mini Z8	574760 R	124,51		F 16		578456	168,68
	V 35 S (PR-2B)	Mini Z8	574762 R	136,96		F 20		578460	168,68
EFFEBI	TH 16		578352 R	177,08		H 16		578400	159,75
TOF-GAS	TH 20		578358 R	177,08		H 20		578406	159,75
MULTIPINZA	TH 26		578362 R	177,08		TH 16		578352 R	177,08
	TH 32		578364	177,08		TH 20		578358 R	177,08
	TH 16 S (PR-2B)**	Mini Z8	574782 R	124,51		TH 26		578362 R	177,08
	TH 20 S (PR-2B)**	Mini Z8	574788 R	124,51		TH 32		578364	177,08
	TH 26 S (PR-2B)**	Mini Z8	574794 R	124,51		TH 40		578624	234,69
	TH 32 S (PR-2B)	Mini Z8	574798 R	136,96		U 16		578374	165,66
	H 16		578400	159,75		U 20		578378	165,66
	H 20		578406	159,75	EMPUR	TH 14		578348	177,08
	H 26		578410	159,75		TH 15		578350	177,08
	H 32		578412	159,75		TH 16		578352 R	177,08
	U 16		578374	165,66		TH 17		578354	177,08
	U 20		578378	165,66		TH 20		578358 R	177,08
	U 32		578382	194,31		TH 25		578360	177,08
						TH 14 S (PR-2B)**	Mini Z8	574778 R	124,51
						TH 15 S (PR-2B)**	Mini Z8	574780 R	124,51
						TH 16 S (PR-2B)**	Mini Z8	574782 R	124,51
						TH 17 S (PR-2B)**	Mini Z8	574784 R	124,51
						TH 20 S (PR-2B)**	Mini Z8	574788 R	124,51
						TH 25 S (PR-2B)**	Mini Z8	574792 R	124,51

Pressfitting systems for gas installations may only be pressed with the pressing tongs Mini which are highlighted in yellow in the table.

Observe the national regulations. Read and observe the system provider's/manufacturer's instructions for use and assembly instructions.

\*\* Can also be driven by the ROLLER'S Easy-Press manual radial press using the Z8 adapter tongs, see page 90. Observe the national regulations.

<sup>1)</sup> Only pressing tongs from designation "108" (1<sup>st</sup> quarter of 2008), "208" (2<sup>nd</sup> quarter of 2008) etc. can be used. The designation is stamped on every pressing jaw.

<sup>2)</sup> For accommodating suitable pressing inserts.

<sup>3)</sup> Only pressing tongs from designation "117" (1<sup>st</sup> quarter of 201), "217" (2<sup>nd</sup> quarter of 2017) etc. can be used. The designation is stamped on every pressing jaw.

<sup>4)</sup> For pipes with the EN technical standard. Observe the system provider's/manufacturer's instructions for use.

<sup>6)</sup> Only use Mini pressing tongs identified by "VMP ½" G" on the pressing jaws for gas installations.

<sup>7)</sup> Previous designation: Mini C 26 pressing tongs

<sup>9)</sup> For pipes with the ASTM technical standard. Observe the system provider's/manufacturer's instructions for use.

Suitability of the ROLLER'S pressing tools for pressfitting systems: Status 27.10.2023. The current status can be found on the Internet: [www.albert-roller.de](http://www.albert-roller.de) → Downloads → Product Catalogues, Brochures → ROLLER Catalogue.

See page 79 for adapter tongs. Pressing tongs/pressing rings for other press fitting systems on request.



System	Pressing tongs Mini/pressing rings	Drive with adapter tongs	Art.-No.	€
FILINOX	M 15		578312	146,98
Instalpress Inox	M 18		578314	146,98
	M 22		578316	146,98
	M 28		578318	146,98
	M 35		578390	178,12
	M 15 S (PR-2B)	Mini Z8	574738 R	124,51
	M 18 S (PR-2B)	Mini Z8	574740 R	124,51
	M 22 S (PR-2B)	Mini Z8	574742 R	124,51
	M 28 S (PR-2B)	Mini Z8	574744 R	124,51
	M 35 S (PR-2B)	Mini Z8	574746 R	136,96
FITTINGS ESTÁNDAR	RFz 16		578492	184,45
ECO-PRESS	RFz 20		578494	184,45
	RFz 25		578496	184,45
	RFz 32		578498	184,45
FITTINGS ESTÁNDAR	RFz 16		578492	184,45
MULTICAPA	RFz 18		578638	184,45
	RFz 20		578494	184,45
	RFz 25		578496	184,45
	RFz 32		578498	184,45
FITTINGS ESTÁNDAR	RFz 16		578492	184,45
PE-X	RFz 20		578494	184,45
	RFz 25		578496	184,45
	RFz 32		578498	184,45
FORNARA	B 16		578468	193,28
ForPress	B 20		578472	193,28
	B 26		578474	213,00
	B 32		578476	213,00
	F 16		578456	168,68
	F 20		578460	168,68
	F 26		578462	182,48
	F 32		578464	182,48
	F 16 S (PR-2B)**	Mini Z8	574728 R	124,51
	F 20 S (PR-2B)**	Mini Z8	574730 R	124,51
	F 26 S (PR-2B)**	Mini Z8	574732 R	124,51
	F 32 S (PR-2B)	Mini Z8	574734 R	136,96
	H 16		578400	159,75
	H 20		578406	159,75
	H 26		578410	159,75
	H 32		578412	159,75
	TH 16		578352 R	177,08
	TH 20		578358 R	177,08
	TH 26		578362 R	177,08
	TH 32		578364	177,08
	TH 16 S (PR-2B)**	Mini Z8	574782 R	124,51
	TH 20 S (PR-2B)**	Mini Z8	574788 R	124,51
	TH 26 S (PR-2B)**	Mini Z8	574794 R	124,51
	TH 32 S (PR-2B)	Mini Z8	574798 R	136,96
	U 16		578374	165,66
	U 20		578378	165,66
	U 26 <sup>7)</sup>		578392	194,31
	U 32		578382	194,31
FORZA	K16/P18		578592	184,45
WATER CRIMP	K/20		578594	184,45
(AUS)	K/25		578596	184,45
	K/32		578598	184,45
	K1/40		578600	184,45
FORZA STAINLESS	K16/P18		578592	184,45
WATER CRIMP	K/20		578594	184,45
FORZA	U 16		578374	165,66
STESSO PEX	U 20		578378	165,66
WATER AND GAS	U 25		578380	165,66
CRIMP (AUS)	U 32		578382	194,31
	U 40		578386	236,66
FORZA	K16/P18		578592	184,45
GAS CRIMP	K/20		578594	184,45
(AUS)	K/25		578596	184,45
	K/32		578598	184,45
	K1/40		578600	184,45
FORZA	VAU 15 (OD 12,7 mm)		578630	151,86
COPPER V PRESS	VAU 20 (OD 19,1 mm)		578632	151,86
(AUS)	VAU 25 (OD 25,4 mm)		578634	151,86
	VAU 32 (OD 31,8 mm)		578636	159,75
	VAU 15 S (PR-2B) (OD 12,7 mm)	Mini Z8	574804 R	124,51
	VAU 20 S (PR-2B)** (OD 19,1 mm)	Mini Z8	574806 R	124,51
	VAU 25 S (PR-2B)** (OD 25,4 mm)	Mini Z8	574808 R	136,96

System	Pressing tongs Mini/pressing rings	Drive with adapter tongs	Art.-No.	€
FORZA	V 15		578328	146,98
STAINLESS V PRESS	V 22		578334	146,98
(AUS)	V 28		578336	146,98
	V 35		578604	178,12
	V 15 S (PR-2B)	Mini Z8	574752 R	124,51
	V 22 S (PR-2B)	Mini Z8	574758 R	124,51
	V 28 S (PR-2B)	Mini Z8	574760 R	124,51
	V 35 S (PR-2B)	Mini Z8	574762 R	136,96
FRABO	M 15		578312	146,98
FRABOPRESS	M 18		578314	146,98
316 GAS M	M 22		578316	146,98
	M 28		578318	146,98
	M 35		578390	178,12
	M 15 S (PR-2B)	Mini Z8	574738 R	124,51
	M 18 S (PR-2B)	Mini Z8	574740 R	124,51
	M 22 S (PR-2B)	Mini Z8	574742 R	124,51
	M 28 S (PR-2B)	Mini Z8	574744 R	124,51
	M 35 S (PR-2B)	Mini Z8	574746 R	136,96
FRABO	V 15		578328	146,98
FRABOPRESS	V 18		578332	146,98
316 GAS V	V 22		578334	146,98
	V 28		578336	146,98
	V 35		578604	178,12
	V 15 S (PR-2B)	Mini Z8	574752 R	124,51
	V 18 S (PR-2B)	Mini Z8	574756 R	124,51
	V 22 S (PR-2B)	Mini Z8	574758 R	124,51
	V 28 S (PR-2B)	Mini Z8	574760 R	124,51
	V 35 S (PR-2B)	Mini Z8	574762 R	136,96
FRABO	M 15		578312	146,98
FRABOPRESS	M 18		578314	146,98
316 M	M 22		578316	146,98
	M 28		578318	146,98
	M 35		578390	178,12
	M 15 S (PR-2B)	Mini Z8	574738 R	124,51
	M 18 S (PR-2B)	Mini Z8	574740 R	124,51
	M 22 S (PR-2B)	Mini Z8	574742 R	124,51
	M 28 S (PR-2B)	Mini Z8	574744 R	124,51
	M 35 S (PR-2B)	Mini Z8	574746 R	136,96
FRABO	V 12		578324	146,98
FRABOPRESS	V 15		578328	146,98
316 V	V 18		578332	146,98
	V 22		578334	146,98
	V 28		578336	146,98
	V 35		578604	178,12
	V 12 S (PR-2B)	Mini Z8	574748 R	124,51
	V 15 S (PR-2B)	Mini Z8	574752 R	124,51
	V 18 S (PR-2B)	Mini Z8	574756 R	124,51
	V 22 S (PR-2B)	Mini Z8	574758 R	124,51
	V 28 S (PR-2B)	Mini Z8	574760 R	124,51
	V 35 S (PR-2B)	Mini Z8	574762 R	136,96
FRABO	V 12		578324	146,98
FRABOPRESS	V 15		578328	146,98
CHROME	V 18		578332	146,98
	V 22		578334	146,98
	V 12 S (PR-2B)	Mini Z8	574748 R	124,51
	V 15 S (PR-2B)	Mini Z8	574752 R	124,51
	V 18 S (PR-2B)	Mini Z8	574756 R	124,51
	V 22 S (PR-2B)	Mini Z8	574758 R	124,51
	V 28 S (PR-2B)	Mini Z8	574760 R	124,51
	V 35 S (PR-2B)	Mini Z8	574762 R	136,96
FRABO	M 15		578312	146,98
FRABOPRESS	M 18		578314	146,98
C-STEEL M	M 22		578316	146,98
	M 28		578318	146,98
	M 35		578390	178,12
	M 15 S (PR-2B)	Mini Z8	574738 R	124,51
	M 18 S (PR-2B)	Mini Z8	574740 R	124,51
	M 22 S (PR-2B)	Mini Z8	574742 R	124,51
	M 28 S (PR-2B)	Mini Z8	574744 R	124,51
	M 35 S (PR-2B)	Mini Z8	574746 R	136,96
FRABO	V 12		578324	146,98
FRABOPRESS	V 15		578328	146,98
C-STEEL V	V 18		578332	146,98
	V 22		578334	146,98
	V 28		578336	146,98
	V 35		578604	178,12
	V 12 S (PR-2B)	Mini Z8	574748 R	124,51
	V 15 S (PR-2B)	Mini Z8	574752 R	124,51
	V 18 S (PR-2B)	Mini Z8	574756 R	124,51
	V 22 S (PR-2B)	Mini Z8	574758 R	124,51
	V 28 S (PR-2B)	Mini Z8	574760 R	124,51
	V 35 S (PR-2B)	Mini Z8	574762 R	136,96

Pressfitting systems for gas installations may only be pressed with the pressing tongs Mini which are highlighted in yellow in the table.

Observe the national regulations. Read and observe the system provider's/manufacturer's instructions for use and assembly instructions.

\*\* Can also be driven by the ROLLER'S Easy-Press manual radial press using the Z8 adapter tongs, see page 90. Observe the national regulations.

<sup>1)</sup> Only pressing tongs from designation "108" (1<sup>st</sup> quarter of 2008), "208" (2<sup>nd</sup> quarter of 2008) etc. can be used. The designation is stamped on every pressing jaw.

<sup>2)</sup> For accommodating suitable pressing inserts.

<sup>3)</sup> Only pressing tongs from designation "117" (1<sup>st</sup> quarter of 201), "217" (2<sup>nd</sup> quarter of 2017) etc. can be used. The designation is stamped on every pressing jaw.

<sup>4)</sup> For pipes with the EN technical standard. Observe the system provider's/manufacturer's instructions for use.

<sup>5)</sup> Only use Mini pressing tongs identified by "VMP ½" G" on the pressing jaws for gas installations.

<sup>7)</sup> Previous designation: Mini C 26 pressing tongs

<sup>9)</sup> For pipes with the ASTM technical standard. Observe the system provider's/manufacturer's instructions for use.

Suitability of the ROLLER'S pressing tools for pressfitting systems: Status 27.10.2023. The current status can be found on the Internet:

[www.albert-roller.de](http://www.albert-roller.de) → Downloads → Product Catalogues, Brochures → ROLLER Catalogue.

See page 79 for adapter tongs. Pressing tongs/pressing rings for other press fitting systems on request.

System	Pressing tongs Mini/pressing rings	Drive with adapter tongs	Art.-No.	€	System	Pressing tongs Mini/pressing rings	Drive with adapter tongs	Art.-No.	€
FRABO	M 12		578310	146,98	Fränkische	F 16		578456	168,68
FRABOPRESS	M 15		578312	146,98	alpex F50 PROFI	F 20		578460	168,68
GAS M	M 18		578314	146,98		F 26		578462	182,48
	M 22		578316	146,98		F 32		578464	182,48
	M 28		578318	146,98		F 16 S (PR-2B)**	Mini Z8	574728 R	124,51
	M 35		578390	178,12		F 20 S (PR-2B)**	Mini Z8	574730 R	124,51
	M 12 S (PR-2B)	Mini Z8	574736 R	124,51		F 26 S (PR-2B)**	Mini Z8	574732 R	124,51
	M 15 S (PR-2B)	Mini Z8	574738 R	124,51		F 32 S (PR-2B)**	Mini Z8	574734 R	136,96
	M 18 S (PR-2B)	Mini Z8	574740 R	124,51		H 16		578400	159,75
	M 22 S (PR-2B)	Mini Z8	574742 R	124,51		H 20		578406	159,75
	M 28 S (PR-2B)	Mini Z8	574744 R	124,51		H 26		578410	159,75
	M 35 S (PR-2B)	Mini Z8	574746 R	136,96		H 32		578412	159,75
FRABO	V 12		578324	146,98		TH 16		578352 R	177,08
FRABOPRESS	V 15		578328	146,98		TH 20		578358 R	177,08
GAS V	V 18		578332	146,98		TH 26		578362 R	177,08
	V 22		578334	146,98		TH 32		578364	177,08
	V 28		578336	146,98		TH 16 S (PR-2B)**	Mini Z8	574782 R	124,51
	V 35		578604	178,12		TH 20 S (PR-2B)**	Mini Z8	574788 R	124,51
	V 12 S (PR-2B)	Mini Z8	574748 R	124,51		TH 26 S (PR-2B)**	Mini Z8	574794 R	124,51
	V 15 S (PR-2B)	Mini Z8	574752 R	124,51		TH 32 S (PR-2B)**	Mini Z8	574798 R	136,96
	V 18 S (PR-2B)	Mini Z8	574756 R	124,51		U 16		578374	165,66
	V 22 S (PR-2B)	Mini Z8	574758 R	124,51	(DN 26)	U 20		578378	165,66
	V 28 S (PR-2B)	Mini Z8	574760 R	124,51		U 25		578380	165,66
	V 35 S (PR-2B)	Mini Z8	574762 R	136,96		U 32		578382	194,31
FRABO	V 12		578324	146,98		VP 16		578482	176,56
FRABOPRESS	V 15		578328	146,98		VP 20		578484	176,56
KOMBI	V 18		578332	146,98		VP 32		578488	195,25
	V 22		578334	146,98	Fränkische	Fz 40		578478	247,15
	V 28		578336	146,98	alpex L				
	V 35		578604	178,12	<b>G</b>				
	V 12 S (PR-2B)	Mini Z8	574748 R	124,51	gabotherm H+S	TH 10		578342	177,08
	V 15 S (PR-2B)	Mini Z8	574752 R	124,51		TH 12		578346	177,08
	V 18 S (PR-2B)	Mini Z8	574756 R	124,51		TH 14		578348	177,08
	V 22 S (PR-2B)	Mini Z8	574758 R	124,51		TH 15		578350	177,08
	V 28 S (PR-2B)	Mini Z8	574760 R	124,51		TH 16		578352 R	177,08
	V 35 S (PR-2B)	Mini Z8	574762 R	136,96		TH 17		578354	177,08
FRABO	M 12		578310	146,98		TH 18		578356	177,08
FRABOPRESS M	M 15		578312	146,98		TH 20		578358 R	177,08
	M 18		578314	146,98		TH 25		578360	177,08
	M 22		578316	146,98		TH 26		578362 R	177,08
	M 28		578318	146,98		TH 32		578364	177,08
	M 35		578390	178,12		TH 40		578624	234,69
	M 12 S (PR-2B)	Mini Z8	574736 R	124,51		TH 10 S (PR-2B)**	Mini Z8	574772 R	124,51
	M 15 S (PR-2B)	Mini Z8	574738 R	124,51		TH 12 S (PR-2B)**	Mini Z8	574776 R	124,51
	M 18 S (PR-2B)	Mini Z8	574740 R	124,51		TH 14 S (PR-2B)**	Mini Z8	574778 R	124,51
	M 22 S (PR-2B)	Mini Z8	574742 R	124,51		TH 15 S (PR-2B)**	Mini Z8	574780 R	124,51
	M 28 S (PR-2B)	Mini Z8	574744 R	124,51		TH 16 S (PR-2B)**	Mini Z8	574782 R	124,51
	M 35 S (PR-2B)	Mini Z8	574746 R	136,96		TH 17 S (PR-2B)**	Mini Z8	574784 R	124,51
FRABO	V 15		578328	146,98		TH 18 S (PR-2B)**	Mini Z8	574786 R	124,51
FRABOPRESS	V 18		578332	146,98		TH 20 S (PR-2B)**	Mini Z8	574788 R	124,51
SOLAR	V 22		578334	146,98		TH 25 S (PR-2B)**	Mini Z8	574792 R	124,51
	V 28		578336	146,98		TH 26 S (PR-2B)**	Mini Z8	574794 R	124,51
	V 35		578604	178,12		TH 32 S (PR-2B)	Mini Z8	574798 R	136,96
	V 15 S (PR-2B)	Mini Z8	574752 R	124,51	Gallagher USA	H 12 (¼")		578396	159,75
	V 18 S (PR-2B)	Mini Z8	574756 R	124,51	YogaPipe ACR	U 14 (¾")		578372	174,38
	V 22 S (PR-2B)	Mini Z8	574758 R	124,51		U 16 (¾")		578374	165,66
	V 28 S (PR-2B)	Mini Z8	574760 R	124,51		U 18 (¾")		578376	165,66
	V 35 S (PR-2B)	Mini Z8	574762 R	136,96		U 20 (¾")		578378	165,66
FRABO	V 12		578324	146,98		U 25 (¾")		578380	165,66
FRABOPRESS V	V 15		578328	146,98		U 32 (1½")		578382	194,31
	V 18		578332	146,98	Geberit Mapress	M 12		578310	146,98
	V 22		578334	146,98	C-STAHl	M 15		578312	146,98
	V 28		578336	146,98		M 18		578314	146,98
	V 35		578604	178,12		M 22		578316	146,98
	V 12 S (PR-2B)	Mini Z8	574748 R	124,51		M 28		578318	146,98
	V 15 S (PR-2B)	Mini Z8	574752 R	124,51		M 35		578390	178,12
	V 18 S (PR-2B)	Mini Z8	574756 R	124,51		M 12 S (PR-2B)	Mini Z8	574736 R	124,51
	V 22 S (PR-2B)	Mini Z8	574758 R	124,51		M 15 S (PR-2B)	Mini Z8	574738 R	124,51
	V 28 S (PR-2B)	Mini Z8	574760 R	124,51		M 18 S (PR-2B)	Mini Z8	574740 R	124,51
	V 35 S (PR-2B)	Mini Z8	574762 R	136,96		M 22 S (PR-2B)	Mini Z8	574742 R	124,51
Fränkische	F 16		578456	168,68		M 28 S (PR-2B)	Mini Z8	574744 R	124,51
alpex-duo XS	F 20		578460	168,68		M 35 S (PR-2B)	Mini Z8	574746 R	136,96
	F 26		578462	182,48	Geberit Mapress	M 22		578316	146,98
	F 32		578464	182,48	C-STAHl Sprinkler	M 28		578318	146,98
	F 16 S (PR-2B)**	Mini Z8	574728 R	124,51	nass				146,98
	F 20 S (PR-2B)**	Mini Z8	574730 R	124,51	Geberit Mapress	M 12		578310	146,98
	F 26 S (PR-2B)**	Mini Z8	574732 R	124,51	Edelstahl	M 15		578312	146,98
	F 32 S (PR-2B)**	Mini Z8	574734 R	136,96		M 18		578314	146,98
	TH 16		578352 R	177,08		M 22		578316	146,98
	TH 20		578358 R	177,08		M 28		578318	146,98
	TH 26		578362 R	177,08		M 35		578390	178,12
	TH 32		578364	177,08		M 12 S (PR-2B)	Mini Z8	574736 R	124,51
	TH 16 S (PR-2B)**	Mini Z8	574782 R	124,51		M 15 S (PR-2B)	Mini Z8	574738 R	124,51
	TH 20 S (PR-2B)**	Mini Z8	574788 R	124,51		M 18 S (PR-2B)	Mini Z8	574740 R	124,51
	TH 26 S (PR-2B)**	Mini Z8	574794 R	124,51		M 22 S (PR-2B)	Mini Z8	574742 R	124,51
	TH 32 S (PR-2B)**	Mini Z8	574798 R	136,96		M 28 S (PR-2B)	Mini Z8	574744 R	124,51
						M 35 S (PR-2B)	Mini Z8	574746 R	136,96

System	Pressing tongs Mini/pressing rings	Drive with adapter tongs	Art.-No.	€
Geberit Mapress	M 15		578312	146,98
Edelstahl Gas	M 18		578314	146,98
	M 22		578316	146,98
	M 28		578318	146,98
	M 35		578390	178,12
	M 15 S (PR-2B)	Mini Z8	574738 R	124,51
	M 18 S (PR-2B)	Mini Z8	574740 R	124,51
	M 22 S (PR-2B)	Mini Z8	574742 R	124,51
	M 28 S (PR-2B)	Mini Z8	574744 R	124,51
	M 35 S (PR-2B)	Mini Z8	574746 R	136,96
Geberit Mapress	M 22		578316	146,98
Edelstahl Sprinkler	M 28		578318	146,98
Geberit Mapress	M 12		578310	146,98
Kupfer	M 15		578312	146,98
	M 18		578314	146,98
	M 22		578316	146,98
	M 28		578318	146,98
	M 35		578390	178,12
	M 12 S (PR-2B)	Mini Z8	574736 R	124,51
	M 15 S (PR-2B)	Mini Z8	574738 R	124,51
	M 18 S (PR-2B)	Mini Z8	574740 R	124,51
	M 22 S (PR-2B)	Mini Z8	574742 R	124,51
	M 28 S (PR-2B)	Mini Z8	574744 R	124,51
	M 35 S (PR-2B)	Mini Z8	574746 R	136,96
Geberit Mapress	M 15		578312	146,98
Kupfer Gas	M 18		578314	146,98
	M 22		578316	146,98
	M 28		578318	146,98
	M 35		578390	178,12
	M 15 S (PR-2B)	Mini Z8	574738 R	124,51
	M 18 S (PR-2B)	Mini Z8	574740 R	124,51
	M 22 S (PR-2B)	Mini Z8	574742 R	124,51
	M 28 S (PR-2B)	Mini Z8	574744 R	124,51
	M 35 S (PR-2B)	Mini Z8	574746 R	136,96
Geberit Mepla	G 16		578444	177,50
	G 20		578446	177,50
	G 26		578448	188,40
	G 32		578450	201,16
	G 40		578452	260,33
Geberit Mepla	G 16		578444	177,50
Therm	G 20		578446	177,50
	G 26		578448	188,40
Geberit Volex	TH 16		578352 R	177,08
	TH 20		578358 R	177,08
	TH 26		578362 R	177,08
General Fittings	H 16		578400	159,75
5T00	H 20		578406	159,75
	H 26		578410	159,75
	H 32		578412	159,75
	TH 16		578352 R	177,08
	TH 20		578358 R	177,08
	TH 26		578362 R	177,08
	TH 32		578364	177,08
	TH 40		578624	234,69
	TH 16 S (PR-2B)**	Mini Z8	574782 R	124,51
	TH 20 S (PR-2B)**	Mini Z8	574788 R	124,51
	TH 26 S (PR-2B)**	Mini Z8	574794 R	124,51
	TH 32 S (PR-2B)	Mini Z8	574798 R	136,96
	U 16		578374	165,66
	U 20		578378	165,66
	U 32		578382	194,31
	U 40		578386	236,66
General Fittings	H 16		578400	159,75
Ewoprex	H 20		578406	159,75
	H 26		578410	159,75
	H 32		578412	159,75
	TH 16		578352 R	177,08
	TH 20		578358 R	177,08
	TH 26		578362 R	177,08
	TH 32		578364	177,08
	TH 40		578624	234,69
	TH 16 S (PR-2B)**	Mini Z8	574782 R	124,51
	TH 20 S (PR-2B)**	Mini Z8	574788 R	124,51
	TH 26 S (PR-2B)**	Mini Z8	574794 R	124,51
	TH 32 S (PR-2B)	Mini Z8	574798 R	136,96
	U 16		578374	165,66
	U 20		578378	165,66
	U 32		578382	194,31
	U 40		578386	236,66

System	Pressing tongs Mini/pressing rings	Drive with adapter tongs	Art.-No.	€
General Fittings	B 16		578468	193,28
Serie SS00	B 18		578470	193,28
	B 20		578472	193,28
	B 26		578474	213,00
	B 32		578476	213,00
	F 16		578456	168,68
	F 20		578460	168,68
	F 26		578462	182,48
	F 32		578464	182,48
	F 16 S (PR-2B)**	Mini Z8	574728 R	124,51
	F 20 S (PR-2B)**	Mini Z8	574730 R	124,51
	F 26 S (PR-2B)**	Mini Z8	574732 R	124,51
	F 32 S (PR-2B)	Mini Z8	574734 R	136,96
	H 16		578400	159,75
	H 18		578404	159,75
	H 20		578406	159,75
	H 25		578408	159,75
	H 26		578410	159,75
	H 32		578412	159,75
	TH 16		578352 R	177,08
	TH 18		578356	177,08
	TH 20		578358 R	177,08
	TH 25		578360	177,08
	TH 26		578362 R	177,08
	TH 32		578364	177,08
	TH 40		578624	234,69
	TH 16 S (PR-2B)**	Mini Z8	574782 R	124,51
	TH 18 S (PR-2B)**	Mini Z8	574786 R	124,51
	TH 20 S (PR-2B)**	Mini Z8	574788 R	124,51
	TH 25 S (PR-2B)**	Mini Z8	574792 R	124,51
	TH 26 S (PR-2B)**	Mini Z8	574794 R	124,51
	TH 32 S (PR-2B)	Mini Z8	574798 R	136,96
	U 16		578374	165,66
	U 18		578376	165,66
	U 20		578378	165,66
	U 25		578380	165,66
	U 32		578382	194,31
	U 40		578386	236,66
General Fittings	H 16		578400	159,75
Trident	H 20		578406	159,75
	H 26		578410	159,75
	H 32		578412	159,75
	TH 16		578352 R	177,08
	TH 20		578358 R	177,08
	TH 26		578362 R	177,08
	TH 32		578364	177,08
	TH 16 S (PR-2B)**	Mini Z8	574782 R	124,51
	TH 20 S (PR-2B)**	Mini Z8	574788 R	124,51
	TH 26 S (PR-2B)**	Mini Z8	574794 R	124,51
	TH 32 S (PR-2B)	Mini Z8	574798 R	136,96
	U 16		578374	165,66
	U 20		578378	165,66
	U 32		578382	194,31
General Fittings	H 16		578400	159,75
Trident Gas	H 20		578406	159,75
	H 26		578410	159,75
	TH 16		578352 R	177,08
	TH 20		578358 R	177,08
	TH 26		578362 R	177,08
	TH 32		578364	177,08
	TH 16 S (PR-2B)**	Mini Z8	574782 R	124,51
	TH 20 S (PR-2B)**	Mini Z8	574788 R	124,51
	TH 26 S (PR-2B)**	Mini Z8	574794 R	124,51
	TH 32 S (PR-2B)	Mini Z8	574798 R	136,96
	U 16		578374	165,66
	U 20		578378	165,66
	U 32		578382	194,31
Giacomini	H 16		578400	159,75
Raccordi RM	H 20		578406	159,75
Giacomini	H 26		578410	159,75
	H 32		578412	159,75
	TH 16		578352 R	177,08
	TH 20		578358 R	177,08
	TH 26		578362 R	177,08
	TH 32		578364	177,08
	TH 40		578624	234,69
	U 16		578374	165,66
	U 20		578378	165,66
	U 32		578382	194,31
	U 40		578386	236,66

Pressfitting systems for gas installations may only be pressed with the pressing tongs Mini which are highlighted in yellow in the table.

Observe the national regulations. Read and observe the system provider's/manufacturer's instructions for use and assembly instructions.

\*\* Can also be driven by the ROLLER'S Easy-Press manual radial press using the Z8 adapter tongs, see page 90. Observe the national regulations.

1) Only pressing tongs from designation "108" (1<sup>st</sup> quarter of 2008), "208" (2<sup>nd</sup> quarter of 2008) etc. can be used. The designation is stamped on every pressing jaw.

2) For accommodating suitable pressing inserts.

3) Only pressing tongs from designation "117" (1<sup>st</sup> quarter of 201), "217" (2<sup>nd</sup> quarter of 2017) etc. can be used. The designation is stamped on every pressing jaw.

4) For pipes with the EN technical standard. Observe the system provider's/manufacturer's instructions for use.

5) Only use Mini pressing tongs identified by "VMP 1/2" G" on the pressing jaws for gas installations.

7) Previous designation: Mini C 26 pressing tongs

9) For pipes with the ASTM technical standard. Observe the system provider's/manufacturer's instructions for use.

Suitability of the ROLLER'S pressing tools for pressfitting systems: Status 27.10.2023. The current status can be found on the Internet:

www.albert-roller.de → Downloads → Product Catalogues, Brochures → ROLLER Catalogue.

See page 79 for adapter tongs. Pressing tongs/pressing rings for other press fitting systems on request.

System	Pressing tongs Mini/pressing rings	Drive with adapter tongs	Art.-No.	€	
Giacomini RM MULTIGAS	H 16		578400	159,75	
	H 20		578406	159,75	
	H 26		578410	159,75	
	H 32		578412	159,75	
	TH 16		578352 R	177,08	
	TH 20		578358 R	177,08	
	TH 26		578362 R	177,08	
	TH 32		578364	177,08	
	U 16		578374	165,66	
	U 20		578378	165,66	
	U 32		578382	194,31	
	Giacomini Valvole Giacomini serie R850V	V 15		578328	146,98
		V 18		578332	146,98
V 22			578334	146,98	
V 28			578336	146,98	
V 35			578604	178,12	
V 15 S (PR-2B)		Mini Z8	574752 R	124,51	
V 18 S (PR-2B)		Mini Z8	574756 R	124,51	
V 22 S (PR-2B)		Mini Z8	574758 R	124,51	
V 28 S (PR-2B)		Mini Z8	574760 R	124,51	
V 35 S (PR-2B)		Mini Z8	574762 R	136,96	
SA 15			578514	176,56	
SA 18			578518	176,56	
SA 22			578520	176,56	
SA 28			578522	176,56	
M 15			578312	146,98	
M 18			578314	146,98	
M 22			578316	146,98	
M 28			578318	146,98	
M 35			578390	178,12	
M 15 S (PR-2B)	Mini Z8	574738 R	124,51		
M 18 S (PR-2B)	Mini Z8	574740 R	124,51		
M 22 S (PR-2B)	Mini Z8	574742 R	124,51		
M 28 S (PR-2B)	Mini Z8	574744 R	124,51		
M 35 S (PR-2B)	Mini Z8	574746 R	136,96		
Golan Pipe Systems (Scandinavia)	U 16		578374	165,66	
	U 20		578378	165,66	
	U 25		578380	165,66	
	U 32		578382	194,31	
Alu-Pres	U 40		578386	236,66	
	U 40		578386	236,66	
Grinnell G-PRESS Copper Fittings	VUS 1/2" (OD 15,9mm)		578566	177,50	
	VUS 3/4" (OD 22,2mm)		578568	177,50	
	VUS 1" (OD 28,6mm)		578570	177,50	
	VUS 1 1/4" (OD 34,9mm)		578606	177,50	
GS Wärmesysteme System TH	TH 14		578348	177,08	
	TH 16		578352 R	177,08	
	TH 20		578358 R	177,08	
	TH 26		578362 R	177,08	
	TH 32		578364	177,08	
	TH 40		578624	234,69	
	TH 14 S (PR-2B)**	Mini Z8	574778 R	124,51	
	TH 16 S (PR-2B)**	Mini Z8	574782 R	124,51	
	TH 20 S (PR-2B)**	Mini Z8	574788 R	124,51	
	TH 26 S (PR-2B)**	Mini Z8	574794 R	124,51	
TH 32 S (PR-2B)	Mini Z8	574798 R	136,96		
GS Wärmesysteme System V	V 15		578328	146,98	
	V 18		578332	146,98	
	V 22		578334	146,98	
	V 28		578336	146,98	
	V 35		578604	178,12	
	V 15 S (PR-2B)	Mini Z8	574752 R	124,51	
	V 18 S (PR-2B)	Mini Z8	574756 R	124,51	
	V 22 S (PR-2B)	Mini Z8	574758 R	124,51	
	V 28 S (PR-2B)	Mini Z8	574760 R	124,51	
	V 35 S (PR-2B)	Mini Z8	574762 R	136,96	
<b>H</b>					
HASTINIK Hastinik/Hitpress	M 15		578312	146,98	
	M 18		578314	146,98	
	M 22		578316	146,98	
	M 28		578318	146,98	
	M 35		578390	178,12	
	M 15 S (PR-2B)	Mini Z8	574738 R	124,51	
	M 18 S (PR-2B)	Mini Z8	574740 R	124,51	
	M 22 S (PR-2B)	Mini Z8	574742 R	124,51	
	M 28 S (PR-2B)	Mini Z8	574744 R	124,51	
M 35 S (PR-2B)	Mini Z8	574746 R	136,96		
heima24	TH 16		578352 R	177,08	
	TH 20		578358 R	177,08	
	TH 26		578362 R	177,08	
	TH 32		578364	177,08	
	TH 40		578624	234,69	
	TH 16 S (PR-2B)**	Mini Z8	574782 R	124,51	
	TH 20 S (PR-2B)**	Mini Z8	574788 R	124,51	
	TH 26 S (PR-2B)**	Mini Z8	574794 R	124,51	
	TH 32 S (PR-2B)	Mini Z8	574798 R	136,96	
	U 16		578374	165,66	
	U 20		578378	165,66	
U 32		578382	194,31		
HELIROMA Klimapress	U 16		578374	165,66	
	U 20		578378	165,66	
	U 25		578380	165,66	
	U 32		578382	194,31	
	U 40		578386	236,66	
HELIROMA Klimapress PPSU	U 16		578374	165,66	
	U 20		578378	165,66	
	U 25		578380	165,66	
	U 32		578382	194,31	
Henco	TH 14		578348	177,08	
	TH 16		578352 R	177,08	
	TH 18		578356	177,08	
	TH 20		578358 R	177,08	
	TH 26		578362 R	177,08	
	HE 32		578370 R	212,06	

System	Pressing tongs Mini/pressing rings	Drive with adapter tongs	Art.-No.	€	
Herotec tempusPRESS PLUS	H 16		578400	159,75	
	H 20		578406	159,75	
	H 25		578408	159,75	
	H 32		578412	159,75	
	RFz 16		578492	184,45	
	RFz 20		578494	184,45	
	RFz 25		578496	184,45	
	RFz 32		578498	184,45	
	TH 16		578352 R	177,08	
	TH 20		578358 R	177,08	
	TH 25		578360	177,08	
	TH 32		578364	177,08	
	TH 40		578624	234,69	
Herotec tempusPRESS PLUS PPSU	TH 16 S (PR-2B)**	Mini Z8	574782 R	124,51	
	TH 20 S (PR-2B)**	Mini Z8	574788 R	124,51	
	TH 25 S (PR-2B)**	Mini Z8	574792 R	124,51	
	TH 32 S (PR-2B)**	Mini Z8	574798 R	136,96	
	U 16		578374	165,66	
	U 20		578378	165,66	
	U 25		578380	165,66	
	U 32		578382	194,31	
	U 40		578386	236,66	
	HERZ PIPEFIX	TH 10		578342	177,08
		TH 16		578352 R	177,08
		TH 20		578358 R	177,08
		TH 26		578362 R	177,08
		TH 32		578364	177,08
		TH 40		578624	234,69
		TH 10 S (PR-2B)**	Mini Z8	574772 R	124,51
		TH 16 S (PR-2B)**	Mini Z8	574782 R	124,51
		TH 20 S (PR-2B)**	Mini Z8	574788 R	124,51
		TH 26 S (PR-2B)**	Mini Z8	574794 R	124,51
TH 32 S (PR-2B)**		Mini Z8	574798 R	136,96	
HIDRONIX MULTIGAS	TH 16		578352 R	177,08	
	TH 20		578358 R	177,08	
	TH 26		578362 R	177,08	
	TH 32		578364	177,08	
	TH 40		578624	234,69	
	TH 10 S (PR-2B)**	Mini Z8	574772 R	124,51	
	TH 16 S (PR-2B)**	Mini Z8	574782 R	124,51	
	TH 20 S (PR-2B)**	Mini Z8	574788 R	124,51	
	TH 26 S (PR-2B)**	Mini Z8	574794 R	124,51	
TH 32 S (PR-2B)**	Mini Z8	574798 R	136,96		
HIDRONIX MULTIPIPE	TH 14		578348	177,08	
	TH 16		578352 R	177,08	
	TH 20		578358 R	177,08	
	TH 26		578362 R	177,08	
	TH 32		578364	177,08	
	TH 40		578624	234,69	
	H 14		578398	159,75	
	H 16		578400	159,75	
	H 18		578404	159,75	
HIDRONIX UNICO	H 20		578406	159,75	
	H 26		578410	159,75	
	H 32		578412	159,75	
	U 14		578372	174,38	
	U 16		578374	165,66	
	U 18		578376	165,66	
	U 20		578378	165,66	
	U 26 <sup>o</sup>		578392	194,31	
	U 32		578382	194,31	
	TH 14		578348	177,08	
	TH 16		578352 R	177,08	
	TH 20		578358 R	177,08	
	TH 26		578362 R	177,08	
	TH 32		578364	177,08	
	H 14		578398	159,75	
	H 16		578400	159,75	
H 18		578404	159,75		
H 20		578406	159,75		
H 26		578410	159,75		
H 32		578412	159,75		
U 14		578372	174,38		
U 16		578374	165,66		
U 18		578376	165,66		
U 20		578378	165,66		
U 26 <sup>o</sup>		578392	194,31		
U 32		578382	194,31		
HITEC Sistema Multistrato	TH 14		578348	177,08	
	TH 16		578352 R	177,08	
	TH 18		578356	177,08	
	TH 20		578358 R	177,08	
	TH 26		578362 R	177,08	
	TH 32		578364	177,08	
	TH 40		578624	234,69	
	TH 14 S (PR-2B)**	Mini Z8	574778 R	124,51	
	TH 16 S (PR-2B)**	Mini Z8	574782 R	124,51	
	TH 18 S (PR-2B)**	Mini Z8	574786 R	124,51	
TH 20 S (PR-2B)**	Mini Z8	574788 R	124,51		
TH 26 S (PR-2B)**	Mini Z8	574794 R	124,51		
TH 32 S (PR-2B)	Mini Z8	574798 R	136,96		
HITHERM-ISOTUBI NUMEPRESS	M 15		578312	146,98	
	M 18		578314	146,98	
	M 22		578316	146,98	
	M 28		578318	146,98	
	M 35		578390	178,12	
	M 15 S (PR-2B)	Mini Z8	574738 R	124,51	
M 18 S (PR-2B)	Mini Z8	574740 R	124,51		
M 22 S (PR-2B)	Mini Z8	574742 R	124,51		
M 28 S (PR-2B)	Mini Z8	574744 R	124,51		
M 35 S (PR-2B)	Mini Z8	574746 R	136,96		

System	Pressing tongs Mini/pressing rings	Drive with adapter tongs	Art.-No.	€
HITHERM-ISOTUBI HTpress	M 15		578312	146,98
	M 18		578314	146,98
	M 22		578316	146,98
	M 28		578318	146,98
	M 35		578390	178,12
	M 15 S (PR-2B)	Mini Z8	574738 R	124,51
	M 18 S (PR-2B)	Mini Z8	574740 R	124,51
	M 22 S (PR-2B)	Mini Z8	574742 R	124,51
	M 28 S (PR-2B)	Mini Z8	574744 R	124,51
	M 35 S (PR-2B)	Mini Z8	574746 R	136,96
HITHERM-ISOTUBI HTfire	M 15		578312	146,98
	M 18		578314	146,98
	M 22		578316	146,98
	M 28		578318	146,98
	M 35		578390	178,12
	M 15 S (PR-2B)	Mini Z8	574738 R	124,51
	M 18 S (PR-2B)	Mini Z8	574740 R	124,51
	M 22 S (PR-2B)	Mini Z8	574742 R	124,51
	M 28 S (PR-2B)	Mini Z8	574744 R	124,51
	M 35 S (PR-2B)	Mini Z8	574746 R	136,96
HITHERM-ISOTUBI HTair	M 15		578312	146,98
	M 18		578314	146,98
	M 22		578316	146,98
	M 28		578318	146,98
	M 35		578390	178,12
	M 15 S (PR-2B)	Mini Z8	574738 R	124,51
	M 18 S (PR-2B)	Mini Z8	574740 R	124,51
	M 22 S (PR-2B)	Mini Z8	574742 R	124,51
	M 28 S (PR-2B)	Mini Z8	574744 R	124,51
	M 35 S (PR-2B)	Mini Z8	574746 R	136,96
Hopewell press fit system	M 15		578312	146,98
	M 18		578314	146,98
	M 22		578316	146,98
	M 28		578318	146,98
	M 35		578390	178,12
hp praski BAVARIA-press	TH 10		578342	177,08
	TH 12		578346	177,08
	TH 14		578348	177,08
	TH 16		578352 R	177,08
	TH 17		578354	177,08
	TH 20		578358 R	177,08
	TH 25		578360	177,08
	TH 26		578362 R	177,08
	TH 32		578364	177,08
	TH 40		578624	234,69
	TH 10 S (PR-2B)**	Mini Z8	574772 R	124,51
	TH 12 S (PR-2B)**	Mini Z8	574776 R	124,51
	TH 14 S (PR-2B)**	Mini Z8	574778 R	124,51
	TH 16 S (PR-2B)**	Mini Z8	574782 R	124,51
	TH 17 S (PR-2B)**	Mini Z8	574784 R	124,51
TH 20 S (PR-2B)**	Mini Z8	574788 R	124,51	
TH 25 S (PR-2B)**	Mini Z8	574792 R	124,51	
TH 26 S (PR-2B)**	Mini Z8	574794 R	124,51	
TH 32 S (PR-2B)	Mini Z8	574798 R	136,96	
<b>I</b>				
ICMA Sempitger	H 16		578400	159,75
	H 20		578406	159,75
	H 25		578408	159,75
	H 26		578410	159,75
	H 32		578412	159,75
	TH 16		578352 R	177,08
	TH 20		578358 R	177,08
	TH 25		578360	177,08
	TH 26		578362 R	177,08
	TH 32		578364	177,08
	TH 40		578624	234,69
	TH 16 S (PR-2B)**	Mini Z8	574782 R	124,51
	TH 20 S (PR-2B)**	Mini Z8	574788 R	124,51
	TH 26 S (PR-2B)**	Mini Z8	574794 R	124,51
	TH 32 S (PR-2B)	Mini Z8	574798 R	136,96
	U 16		578374	165,66
	U 20		578378	165,66
	U 25		578380	165,66
	U 26 <sup>7)</sup>		578392	194,31
	U 32		578382	194,31
U 40		578386	236,66	

System	Pressing tongs Mini/pressing rings	Drive with adapter tongs	Art.-No.	€
ICMA Sempigas	TH 16		578352 R	177,08
	TH 20		578358 R	177,08
	TH 25		578360	177,08
	TH 26		578362 R	177,08
	TH 32		578364	177,08
	TH 16 S (PR-2B)**	Mini Z8	574782 R	124,51
	TH 20 S (PR-2B)**	Mini Z8	574788 R	124,51
	TH 26 S (PR-2B)**	Mini Z8	574794 R	124,51
	TH 32 S (PR-2B)	Mini Z8	574798 R	136,96
	Idrosanitaria Bonomi Homegas	TH 16		578352 R
TH 20			578358 R	177,08
TH 26			578362 R	177,08
TH 16 S (PR-2B)**		Mini Z8	574782 R	124,51
TH 20 S (PR-2B)**		Mini Z8	574788 R	124,51
Idrosanitaria Bonomi Idropress	TH 16		578352 R	177,08
	TH 18		578356	177,08
	TH 20		578358 R	177,08
	TH 26		578362 R	177,08
	TH 32		578364	177,08
	TH 40		578624	234,69
	TH 16 S (PR-2B)**	Mini Z8	574782 R	124,51
	TH 20 S (PR-2B)**	Mini Z8	574788 R	124,51
	TH 26 S (PR-2B)**	Mini Z8	574794 R	124,51
	TH 32 S (PR-2B)	Mini Z8	574798 R	136,96
IDROSISTEMI Ta-Press	TH 16		578352 R	177,08
	TH 20		578358 R	177,08
	TH 26		578362 R	177,08
	TH 32		578364	177,08
	TH 40		578624	234,69
	TH 16 S (PR-2B)**	Mini Z8	574782 R	124,51
	TH 20 S (PR-2B)**	Mini Z8	574788 R	124,51
	TH 26 S (PR-2B)**	Mini Z8	574794 R	124,51
	TH 32 S (PR-2B)	Mini Z8	574798 R	136,96
	F 16		578456	168,68
F 20		578460	168,68	
F 26		578462	182,48	
F 32		578464	182,48	
F 16 S (PR-2B)**	Mini Z8	574728 R	124,51	
F 20 S (PR-2B)**	Mini Z8	574730 R	124,51	
F 26 S (PR-2B)**	Mini Z8	574732 R	124,51	
F 32 S (PR-2B)	Mini Z8	574734 R	136,96	
Fz 40		578478	247,15	
H 16		578400	159,75	
H 20		578406	159,75	
H 26		578410	159,75	
H 32		578412	159,75	
U 16		578374	165,66	
U 20		578378	165,66	
U 26 <sup>7)</sup>		578392	194,31	
U 32		578382	194,31	
U 40		578386	236,66	
IDROTRADE Storm Multipinza	H 16		578400	159,75
	H 20		578406	159,75
	H 26		578410	159,75
	H 32		578412	159,75
	TH 16		578352 R	177,08
	TH 20		578358 R	177,08
	TH 26		578362 R	177,08
	TH 32		578364	177,08
	THL 32		578368	177,08
	TH 40		578624	234,69
TH 16 S (PR-2B)**	Mini Z8	574782 R	124,51	
TH 20 S (PR-2B)**	Mini Z8	574788 R	124,51	
TH 26 S (PR-2B)**	Mini Z8	574794 R	124,51	
TH 32 S (PR-2B)	Mini Z8	574798 R	136,96	
U 16		578374	165,66	
U 20		578378	165,66	
IDROTRADE StormPRES <sup>9)</sup>	M 15		578312	146,98
	M 18		578314	146,98
	M 22		578316	146,98
	M 28		578318	146,98
	M 35		578390	178,12
	M 15 S (PR-2B)	Mini Z8	574738 R	124,51
	M 18 S (PR-2B)	Mini Z8	574740 R	124,51
M 22 S (PR-2B)	Mini Z8	574742 R	124,51	
M 28 S (PR-2B)	Mini Z8	574744 R	124,51	
M 35 S (PR-2B)	Mini Z8	574746 R	136,96	

Pressfitting systems for gas installations may only be pressed with the pressing tongs Mini which are highlighted in yellow in the table.

Observe the national regulations. Read and observe the system provider's/manufacturer's instructions for use and assembly instructions.

\*\* Can also be driven by the ROLLER'S Easy-Press manual radial press using the Z8 adapter tongs, see page 90. Observe the national regulations.

<sup>1)</sup> Only pressing tongs from designation "108" (1<sup>st</sup> quarter of 2008), "208" (2<sup>nd</sup> quarter of 2008) etc. can be used. The designation is stamped on every pressing jaw.

<sup>2)</sup> For accommodating suitable pressing inserts.

<sup>3)</sup> Only pressing tongs from designation "117" (1<sup>st</sup> quarter of 201), "217" (2<sup>nd</sup> quarter of 2017) etc. can be used. The designation is stamped on every pressing jaw.

<sup>4)</sup> For pipes with the EN technical standard. Observe the system provider's/manufacturer's instructions for use.

<sup>6)</sup> Only use Mini pressing tongs identified by "VMP 1/2" G" on the pressing jaws for gas installations.

<sup>7)</sup> Previous designation: Mini C 26 pressing tongs

<sup>9)</sup> For pipes with the ASTM technical standard. Observe the system provider's/manufacturer's instructions for use.

Suitability of the ROLLER'S pressing tools for pressfitting systems: Status 27.10.2023. The current status can be found on the Internet: [www.albert-roller.de](http://www.albert-roller.de) → Downloads → Product Catalogues, Brochures → ROLLER Catalogue.

See page 79 for adapter tongs. Pressing tongs/pressing rings for other press fitting systems on request.



# ROLLER'S pressing tongs Mini / pressing rings

Accessory for ROLLER'S 22kN radial presses

Pipe pressing technology

System	Pressing tongs Mini/pressing rings	Drive with adapter tongs	Art.-No.	€	
IDROTRADE StormSTEEL <sup>1</sup>	M 12		578310	146,98	
	M 15		578312	146,98	
	M 18		578314	146,98	
	M 22		578316	146,98	
	M 28		578318	146,98	
	M 35		578390	178,12	
	M 12 S (PR-2B)	Mini Z8	574736 R	124,51	
	M 15 S (PR-2B)	Mini Z8	574738 R	124,51	
	M 18 S (PR-2B)	Mini Z8	574740 R	124,51	
	M 22 S (PR-2B)	Mini Z8	574742 R	124,51	
	M 28 S (PR-2B)	Mini Z8	574744 R	124,51	
	M 35 S (PR-2B)	Mini Z8	574746 R	136,96	
	ILTA INOX/CHIBRO Pressfitting Cuni	M 15		578312	146,98
		M 18		578314	146,98
M 22			578316	146,98	
M 28			578318	146,98	
M 35			578390	178,12	
M 15 S (PR-2B)		Mini Z8	574738 R	124,51	
M 18 S (PR-2B)		Mini Z8	574740 R	124,51	
M 22 S (PR-2B)		Mini Z8	574742 R	124,51	
M 28 S (PR-2B)		Mini Z8	574744 R	124,51	
M 35 S (PR-2B)		Mini Z8	574746 R	136,96	
ILTA INOX/CHIBRO Pressfitting inox		M 15		578312	146,98
		M 18		578314	146,98
	M 22		578316	146,98	
	M 28		578318	146,98	
	M 35		578390	178,12	
	M 15 S (PR-2B)	Mini Z8	574738 R	124,51	
	M 18 S (PR-2B)	Mini Z8	574740 R	124,51	
	M 22 S (PR-2B)	Mini Z8	574742 R	124,51	
	M 28 S (PR-2B)	Mini Z8	574744 R	124,51	
	M 35 S (PR-2B)	Mini Z8	574746 R	136,96	
	Instantor Press System	TH 16		578352 R	177,08
		TH 20		578358 R	177,08
TH 26			578362 R	177,08	
TH 32			578364	177,08	
TH 16 S (PR-2B)**		Mini Z8	574782 R	124,51	
TH 20 S (PR-2B)**		Mini Z8	574788 R	124,51	
TH 26 S (PR-2B)**		Mini Z8	574794 R	124,51	
TH 32 S (PR-2B)		Mini Z8	574798 R	136,96	
Instantor Copper Press Imperial		VI ½" (OD 14,7 mm)		578716	175,53
		VI ¾" (OD 21,0 mm)		578718	175,53
	VI 1" (OD 27,4 mm)		578720	175,53	
	VI ½" S (PR-2B)	Mini Z8	574850 R	124,51	
	VI ¾" S (PR-2B)	Mini Z8	574852 R	124,51	
	VI 1" S (PR-2B)	Mini Z8	574854 R	124,51	
Instantor Copper Press Metric	M 15		578312	146,98	
	M 22		578316	146,98	
	M 28		578318	146,98	
	M 15 S (PR-2B)	Mini Z8	574738 R	124,51	
	M 22 S (PR-2B)	Mini Z8	574742 R	124,51	
	M 28 S (PR-2B)	Mini Z8	574744 R	124,51	
	IPA IPANA Press	TH 10		578342	177,08
TH 11,6			578344	177,08	
TH 12			578346	177,08	
TH 14			578348	177,08	
TH 15			578350	177,08	
TH 16			578352 R	177,08	
TH 17			578354	177,08	
TH 18			578356	177,08	
TH 20			578358 R	177,08	
TH 22			578588	177,08	
TH 25			578360	177,08	
TH 26			578362 R	177,08	
TH 28			578590	177,08	
TH 32			578364	177,08	
TH 40			578624	234,69	
TH 10 S (PR-2B)**		Mini Z8	574772 R	124,51	
TH 11,6 S (PR-2B)**		Mini Z8	574774 R	124,51	
TH 12 S (PR-2B)**		Mini Z8	574776 R	124,51	
TH 14 S (PR-2B)**		Mini Z8	574778 R	124,51	
TH 15 S (PR-2B)**		Mini Z8	574780 R	124,51	
TH 16 S (PR-2B)**		Mini Z8	574782 R	124,51	
TH 17 S (PR-2B)**		Mini Z8	574784 R	124,51	
TH 18 S (PR-2B)**		Mini Z8	574786 R	124,51	
TH 20 S (PR-2B)**		Mini Z8	574788 R	124,51	
TH 22 S (PR-2B)**		Mini Z8	574790 R	124,51	
TH 25 S (PR-2B)**		Mini Z8	574792 R	124,51	
TH 26 S (PR-2B)**		Mini Z8	574794 R	124,51	
TH 28 S (PR-2B)**		Mini Z8	574796 R	136,96	
TH 32 S (PR-2B)**		Mini Z8	574798 R	136,96	
IPA THu IPANA Press		TH 16		578352 R	177,08
		TH 20		578358 R	177,08
		TH 26		578362 R	177,08
		TH 32		578364	177,08
		TH 40		578624	234,69
		TH 16 S (PR-2B)**	Mini Z8	574782 R	124,51
		TH 20 S (PR-2B)**	Mini Z8	574788 R	124,51
		TH 26 S (PR-2B)**	Mini Z8	574794 R	124,51
		TH 32 S (PR-2B)	Mini Z8	574798 R	136,96
		IPALPEX (Industrie du Plastique et Accessoires)	TH 14		578348
TH 16				578352 R	177,08
TH 18				578356	177,08
TH 20				578358 R	177,08
TH 26				578362 R	177,08
THL 32				578368	177,08
TH 40				578624	234,69
IPLEX PIPELINES AUSTRALIA Iplex Pro-fit		K16/P18		578592	184,45
IPLEX PIPELINES AUSTRALIA Iplex K1 (Gas)		K16/P18		578592	184,45
	K20		578594	184,45	
	K25		578596	184,45	
	K32		578598	184,45	
	K1/40		578600	184,45	

System	Pressing tongs Mini/pressing rings	Drive with adapter tongs	Art.-No.	€	
IPLEX PIPELINES AUSTRALIA Iplex K2	K16/P18		578592	184,45	
	K20		578594	184,45	
	K25		578596	184,45	
ISOTUBI NUMEPRESS	M 15		578312	146,98	
	M 18		578314	146,98	
	M 22		578316	146,98	
	M 28		578318	146,98	
	M 35		578390	178,12	
	M 15 S (PR-2B)	Mini Z8	574738 R	124,51	
	M 18 S (PR-2B)	Mini Z8	574740 R	124,51	
	M 22 S (PR-2B)	Mini Z8	574742 R	124,51	
	M 28 S (PR-2B)	Mini Z8	574744 R	124,51	
	M 35 S (PR-2B)	Mini Z8	574746 R	136,96	
IVAR ALPEX-GAS	B 20		578472	193,28	
	B 26		578474	213,00	
	B 32		578476	213,00	
IVAR Ivar-Press	B 14		578466	193,28	
	B 16		578468	193,28	
	B 18		578470	193,28	
	B 20		578472	193,28	
	B 26		578474	213,00	
	B 32		578476	213,00	
	Fz 40		578478	247,15	
IVAR MULTI PRESS GAS ITALIA	TH 16		578352 R	177,08	
	TH 20		578358 R	177,08	
	TH 26		578362 R	177,08	
	H 16		578400	159,75	
	H 20		578406	159,75	
	H 26		578412	159,75	
	U 16		578374	165,66	
	U 20		578378	165,66	
	IVAR Multi Press MP	TH 16		578352 R	177,08
		TH 18		578356	177,08
TH 20			578358 R	177,08	
TH 25			578360	177,08	
TH 26			578362 R	177,08	
TH 32			578364	177,08	
TH 40			578624	234,69	
TH 16 S (PR-2B)**		Mini Z8	574782 R	124,51	
TH 18 S (PR-2B)**		Mini Z8	574786 R	124,51	
TH 20 S (PR-2B)**		Mini Z8	574788 R	124,51	
TH 25 S (PR-2B)**		Mini Z8	574792 R	124,51	
TH 26 S (PR-2B)**		Mini Z8	574794 R	124,51	
TH 32 S (PR-2B)		Mini Z8	574798 R	136,96	
F 16			578456	168,68	
F 18			578458	168,68	
F 20			578460	168,68	
F 26		578462	182,48		
F 32		578464	182,48		
Fz 40		578478	247,15		
F 16 S (PR-2B)**	Mini Z8	574728 R	124,51		
F 20 S (PR-2B)**	Mini Z8	574730 R	124,51		
F 26 S (PR-2B)**	Mini Z8	574732 R	124,51		
F 32 S (PR-2B)	Mini Z8	574734 R	136,96		
IVAR Multi Press Leak (MPL)	H 16		578400	159,75	
	H 18		578404	159,75	
	H 20		578406	159,75	
	H 25		578408	159,75	
	H 26		578410	159,75	
	H 32		578412	159,75	
	U 16		578374	165,66	
	U 18		578376	165,66	
	U 20		578378	165,66	
	U 25		578380	165,66	
	U 26 <sup>0</sup>		578392	194,31	
	U 32		578382	194,31	
	U 40		578386	236,66	
	B 16		578468	193,28	
	B 18		578470	193,28	
	B 20		578472	193,28	
	B 26		578474	213,00	
	B 32		578476	213,00	
	TH 16		578352 R	177,08	
	TH 20		578358 R	177,08	
	TH 26		578362 R	177,08	
	TH 32		578364	177,08	
	TH 16 S (PR-2B)**	Mini Z8	574782 R	124,51	
	TH 20 S (PR-2B)**	Mini Z8	574788 R	124,51	
	TH 26 S (PR-2B)**	Mini Z8	574794 R	124,51	
	TH 32 S (PR-2B)	Mini Z8	574798 R	136,96	
	F 16		578456	168,68	
F 20		578460	168,68		
F 26		578462	182,48		
F 32		578464	182,48		
F 16 S (PR-2B)**	Mini Z8	574728 R	124,51		
F 20 S (PR-2B)**	Mini Z8	574730 R	124,51		
F 26 S (PR-2B)**	Mini Z8	574732 R	124,51		
F 32 S (PR-2B)	Mini Z8	574734 R	136,96		
H 16		578400	159,75		
H 20		578406	159,75		
H 26		578412	159,75		
H 32		578412	159,75		
U 16		578374	165,66		
U 20		578378	165,66		
U 26 <sup>0</sup>		578392	194,31		
U 32		578382	194,31		
B 16		578468	193,28		
B 20		578472	193,28		
B 26		578474	213,00		
B 32		578476	213,00		

Recommended price. All prices plus VAT

System	Pressing tongs Mini/pressing rings	Drive with adapter tongs	Art.-No.	€
IVAR	TH 16		578352 R	177,08
Plastic Multi Press	TH 20		578358 R	177,08
PMP	TH 25		578360	177,08
	TH 26		578362 R	177,08
	TH 32		578364	177,08
	TH 16 S (PR-2B)**	Mini Z8	574782 R	124,51
	TH 20 S (PR-2B)**	Mini Z8	574788 R	124,51
	TH 25 S (PR-2B)**	Mini Z8	574792 R	124,51
	TH 26 S (PR-2B)**	Mini Z8	574794 R	124,51
	TH 32 S (PR-2B)	Mini Z8	574798 R	136,96
	F 16		578456	168,68
	F 20		578460	168,68
	F 26		578462	182,48
	F 32		578464	182,48
	F 16 S (PR-2B)**	Mini Z8	574728 R	124,51
	F 20 S (PR-2B)**	Mini Z8	574730 R	124,51
	F 26 S (PR-2B)**	Mini Z8	574732 R	124,51
	F 32 S (PR-2B)	Mini Z8	574734 R	136,96
	H 16		578400	159,75
	H 20		578406	159,75
	H 25		578408	159,75
	H 26		578410	159,75
	H 32		578412	159,75
	U 16		578374	165,66
	U 20		578378	165,66
	U 25		578380	165,66
	U 26 <sup>7)</sup>		578392	194,31
	U 32		578382	194,31
	B 16		578468	193,28
	B 20		578472	193,28
	B 26		578474	213,00
	B 32		578476	213,00
IVAR	TH 16		578352 R	177,08
Plastic Multi Press	TH 20		578358 R	177,08
Leak (PMPL)	TH 26		578362 R	177,08
	TH 32		578364	177,08
	TH 16 S (PR-2B)**	Mini Z8	574782 R	124,51
	TH 20 S (PR-2B)**	Mini Z8	574788 R	124,51
	TH 26 S (PR-2B)**	Mini Z8	574794 R	124,51
	TH 32 S (PR-2B)	Mini Z8	574798 R	136,96
	F 16		578456	168,68
	F 20		578460	168,68
	F 26		578462	182,48
	F 32		578464	182,48
	F 16 S (PR-2B)**	Mini Z8	574728 R	124,51
	F 20 S (PR-2B)**	Mini Z8	574730 R	124,51
	F 26 S (PR-2B)**	Mini Z8	574732 R	124,51
	F 32 S (PR-2B)	Mini Z8	574734 R	136,96
	H 16		578400	159,75
	H 20		578406	159,75
	H 26		578410	159,75
	H 32		578412	159,75
	U 16		578374	165,66
	U 20		578378	165,66
	U 26 <sup>7)</sup>		578392	194,31
	U 32		578382	194,31
	B 16		578468	193,28
	B 20		578472	193,28
	B 26		578474	213,00
	B 32		578476	213,00
IVT Edelstahl-Presssystem	M 15		578312	146,98
	M 18		578314	146,98
	M 22		578316	146,98
	M 28		578318	146,98
	M 35		578390	178,12
	M 15 S (PR-2B)	Mini Z8	574738 R	124,51
	M 18 S (PR-2B)	Mini Z8	574740 R	124,51
	M 22 S (PR-2B)	Mini Z8	574742 R	124,51
	M 28 S (PR-2B)	Mini Z8	574744 R	124,51
	M 35 S (PR-2B)	Mini Z8	574746 R	136,96
IVT PRIPRESS	TH 16		578352 R	177,08
	TH 20		578358 R	177,08
	TH 26		578362 R	177,08
	TH 32		578364	177,08
	TH 40		578624	234,69
	TH 16 S (PR-2B)**	Mini Z8	574782 R	124,51
	TH 20 S (PR-2B)**	Mini Z8	574788 R	124,51
	TH 26 S (PR-2B)**	Mini Z8	574794 R	124,51
	TH 32 S (PR-2B)	Mini Z8	574798 R	136,96

System	Pressing tongs Mini/pressing rings	Drive with adapter tongs	Art.-No.	€
<b>J</b>				
Jäger - Aquatec	H 14		578398	159,75
Aquapress H	H 16		578400	159,75
	H 17		578402	159,75
	H 18		578404	159,75
	H 20		578406	159,75
	H 26		578410	159,75
	H 32		578412	159,75
	U 40		578386	236,66
Jäger - Aquatec	M 15		578312	146,98
C-Stahl	M 18		578314	146,98
Press Typ M	M 22		578316	146,98
	M 28		578318	146,98
	M 35		578390	178,12
	M 15 S (PR-2B)	Mini Z8	574738 R	124,51
	M 18 S (PR-2B)	Mini Z8	574740 R	124,51
	M 22 S (PR-2B)	Mini Z8	574742 R	124,51
	M 28 S (PR-2B)	Mini Z8	574744 R	124,51
	M 35 S (PR-2B)	Mini Z8	574746 R	136,96
Jäger - Aquatec	M 15		578312	146,98
Edelstahl	M 18		578314	146,98
Press Typ M	M 22		578316	146,98
	M 28		578318	146,98
	M 35		578390	178,12
	M 15 S (PR-2B)	Mini Z8	574738 R	124,51
	M 18 S (PR-2B)	Mini Z8	574740 R	124,51
	M 22 S (PR-2B)	Mini Z8	574742 R	124,51
	M 28 S (PR-2B)	Mini Z8	574744 R	124,51
	M 35 S (PR-2B)	Mini Z8	574746 R	136,96
Jäger - Aquatec	V 15		578328	146,98
Kupfer	V 18		578332	146,98
Press Typ V	V 22		578334	146,98
	V 28		578336	146,98
	V 35		578604	178,12
	V 15 S (PR-2B)	Mini Z8	574752 R	124,51
	V 18 S (PR-2B)	Mini Z8	574756 R	124,51
	V 22 S (PR-2B)	Mini Z8	574758 R	124,51
	V 28 S (PR-2B)	Mini Z8	574760 R	124,51
	V 35 S (PR-2B)	Mini Z8	574762 R	136,96
Jansen AG	TH 14		578348	177,08
JANSEN COMISA	TH 16		578352 R	177,08
	TH 20		578358 R	177,08
	TH 26		578362 R	177,08
	TH 32		578364	177,08
	TH 40		578624	234,69
	TH 14 S (PR-2B)**	Mini Z8	574778 R	124,51
	TH 16 S (PR-2B)**	Mini Z8	574782 R	124,51
	TH 20 S (PR-2B)**	Mini Z8	574788 R	124,51
	TH 26 S (PR-2B)**	Mini Z8	574794 R	124,51
	TH 32 S (PR-2B)	Mini Z8	574798 R	136,96
Jarallex-Presssystem	TH 14		578348	177,08
	TH 16		578352 R	177,08
	TH 17		578354	177,08
	TH 18		578356	177,08
	TH 20		578358 R	177,08
	TH 25		578360	177,08
	TH 26		578362 R	177,08
	TH 32		578364	177,08
	TH 40		578624	234,69
	TH 14 S (PR-2B)**	Mini Z8	574778 R	124,51
	TH 16 S (PR-2B)**	Mini Z8	574782 R	124,51
	TH 17 S (PR-2B)**	Mini Z8	574784 R	124,51
	TH 18 S (PR-2B)**	Mini Z8	574786 R	124,51
	TH 20 S (PR-2B)**	Mini Z8	574788 R	124,51
	TH 25 S (PR-2B)**	Mini Z8	574792 R	124,51
	TH 26 S (PR-2B)**	Mini Z8	574794 R	124,51
	TH 32 S (PR-2B)	Mini Z8	574798 R	136,96
JUNGWOO	VUS ½" (OD 15,9 mm)		578566	177,50
JWPress	VUS ¾" (OD 22,2 mm)		578568	177,50
	VUS 1" (OD 28,6 mm)		578570	177,50
	VUS 1¼" (OD 34,9 mm)		578606	177,50

Pressfitting systems for gas installations may only be pressed with the pressing tongs Mini which are highlighted in yellow in the table.

Observe the national regulations. Read and observe the system provider's/manufacturer's instructions for use and assembly instructions.

\*\* Can also be driven by the ROLLER'S Easy-Press manual radial press using the Z8 adapter tongs, see page 90. Observe the national regulations.

<sup>1)</sup> Only pressing tongs from designation "108" (1<sup>st</sup> quarter of 2008), "208" (2<sup>nd</sup> quarter of 2008) etc. can be used. The designation is stamped on every pressing jaw.

<sup>2)</sup> For accommodating suitable pressing inserts.

<sup>3)</sup> Only pressing tongs from designation "117" (1<sup>st</sup> quarter of 201), "217" (2<sup>nd</sup> quarter of 2017) etc. can be used. The designation is stamped on every pressing jaw.

<sup>4)</sup> For pipes with the EN technical standard. Observe the system provider's/manufacturer's instructions for use.

<sup>5)</sup> Only use Mini pressing tongs identified by "VMP ½" G" on the pressing jaws for gas installations.

<sup>7)</sup> Previous designation: Mini C 26 pressing tongs

<sup>9)</sup> For pipes with the ASTM technical standard. Observe the system provider's/manufacturer's instructions for use.

Suitability of the ROLLER'S pressing tools for pressfitting systems: Status 27.10.2023. The current status can be found on the Internet:

[www.albert-roller.de](http://www.albert-roller.de) → Downloads → Product Catalogues, Brochures → ROLLER Catalogue.

See page 79 for adapter tongs. Pressing tongs/pressing rings for other press fitting systems on request.

System	Pressing tongs Mini/pressing rings	Drive with adapter tongs	Art.-No.	€		
<b>K</b>						
KAN	TH 14		578348	177,08		
	TH 16		578352 R	177,08		
	TH 20		578358 R	177,08		
	TH 25		578360	177,08		
	TH 26		578362 R	177,08		
	TH 32		578364	177,08		
	TH 40		578624	234,69		
	TH 14 S (PR-2B)**	Mini Z8	574778 R	124,51		
	TH 16 S (PR-2B)**	Mini Z8	574782 R	124,51		
	TH 20 S (PR-2B)**	Mini Z8	574788 R	124,51		
	TH 25 S (PR-2B)**	Mini Z8	574792 R	124,51		
	TH 26 S (PR-2B)**	Mini Z8	574794 R	124,51		
	TH 32 S (PR-2B)	Mini Z8	574798 R	136,96		
	U 14		578372	174,38		
	U 16		578374	165,66		
	U 20		578378	165,66		
	U 25		578380	165,66		
	U 26 <sup>7)</sup>		578392	194,31		
	U 32		578382	194,31		
	U 40		578386	236,66		
	KAN-therm LBP	M 15		578312	146,98	
		M 18 <sup>1)</sup>		578314	146,98	
		M 22		578316	146,98	
		M 28 <sup>1)</sup>		578318	146,98	
		M 35		578390	178,12	
		M 15 S (PR-2B)	Mini Z8	574738 R	124,51	
		M 18 S (PR-2B)	Mini Z8	574740 R	124,51	
		M 22 S (PR-2B)	Mini Z8	574742 R	124,51	
		M 28 S (PR-2B)	Mini Z8	574744 R	124,51	
		M 35 S (PR-2B)	Mini Z8	574746 R	136,96	
		KAN-therm Inox	M 12		578310	146,98
			M 15		578312	146,98
			M 18 <sup>1)</sup>		578314	146,98
	M 22			578316	146,98	
	M 28 <sup>1)</sup>			578318	146,98	
	M 35			578390	178,12	
	M 12 S (PR-2B)		Mini Z8	574736 R	124,51	
	M 15 S (PR-2B)		Mini Z8	574738 R	124,51	
	M 18 S (PR-2B)		Mini Z8	574740 R	124,51	
	M 22 S (PR-2B)		Mini Z8	574742 R	124,51	
	M 28 S (PR-2B)		Mini Z8	574744 R	124,51	
M 35 S (PR-2B)	Mini Z8		574746 R	136,96		
KAN-therm Steel	M 12			578310	146,98	
	M 15		578312	146,98		
	M 18 <sup>1)</sup>		578314	146,98		
	M 22		578316	146,98		
	M 28 <sup>1)</sup>		578318	146,98		
	M 35		578390	178,12		
	M 12 S (PR-2B)	Mini Z8	574736 R	124,51		
	M 15 S (PR-2B)	Mini Z8	574738 R	124,51		
	M 18 S (PR-2B)	Mini Z8	574740 R	124,51		
	M 22 S (PR-2B)	Mini Z8	574742 R	124,51		
	M 28 S (PR-2B)	Mini Z8	574744 R	124,51		
	M 35 S (PR-2B)	Mini Z8	574746 R	136,96		
	KAN-therm UltraPRESS	TH 14		578348	177,08	
TH 16			578352 R	177,08		
TH 20			578358 R	177,08		
TH 25			578360	177,08		
TH 26			578362 R	177,08		
TH 32			578364	177,08		
TH 40			578624	234,69		
TH 14 S (PR-2B)**		Mini Z8	574778 R	124,51		
TH 16 S (PR-2B)**		Mini Z8	574782 R	124,51		
TH 20 S (PR-2B)**		Mini Z8	574788 R	124,51		
TH 25 S (PR-2B)**		Mini Z8	574792 R	124,51		
TH 26 S (PR-2B)**		Mini Z8	574794 R	124,51		
TH 32 S (PR-2B)		Mini Z8	574798 R	136,96		
U 14			578372	174,38		
U 16			578374	165,66		
U 20			578378	165,66		
U 25			578380	165,66		
U 26 <sup>7)</sup>			578392	194,31		
U 32			578382	194,31		
U 40			578386	236,66		
KE KELIT COPPERFIX Kupfer		M 15		578312	146,98	
		M 18		578314	146,98	
		M 22		578316	146,98	
		M 28		578318	146,98	
	M 35		578390	178,12		
	M 15 S (PR-2B)	Mini Z8	574738 R	124,51		
	M 18 S (PR-2B)	Mini Z8	574740 R	124,51		
	M 22 S (PR-2B)	Mini Z8	574742 R	124,51		
	M 28 S (PR-2B)	Mini Z8	574744 R	124,51		
	M 35 S (PR-2B)	Mini Z8	574746 R	136,96		
KE KELIT KELIT KELOX	U 16		578374	165,66		
	U 18		578376	165,66		
	U 20		578378	165,66		
	U 25		578380	165,66		
	U 32		578382	194,31		
	U 40		578386	236,66		
KE KELIT KELOX-PPSU-W	U 16		578374	165,66		
	U 18		578376	165,66		
	U 20		578378	165,66		
	U 25		578380	165,66		
	U 32		578382	194,31		
	U 40		578386	236,66		
KE KELIT KELOX-ULTRAX	U 16		578374	165,66		
	U 18		578376	165,66		
	U 20		578378	165,66		
	U 25		578380	165,66		
	U 32		578382	194,31		
	U 40		578386	236,66		
KE KELIT KELOX-ULTRAX-W	U 16		578374	165,66		
	U 18		578376	165,66		
	U 20		578378	165,66		
	U 25		578380	165,66		
	U 32		578382	194,31		
	U 40		578386	236,66		
KE KELIT KELOX-WINDOW-U	U 16		578374	165,66		
	U 18		578376	165,66		
	U 20		578378	165,66		
	U 25		578380	165,66		
	U 32		578382	194,31		
	U 40		578386	236,66		
KE KELIT KELOX-WINDOW-W	U 16		578374	165,66		
	U 18		578376	165,66		
	U 20		578378	165,66		
	U 25		578380	165,66		
	U 32		578382	194,31		
	U 40		578386	236,66		

System	Pressing tongs Mini/pressing rings	Drive with adapter tongs	Art.-No.	€
KE KELIT steelFIX C-Stahl	M 15		578312	146,98
	M 18		578314	146,98
	M 22		578316	146,98
	M 28		578318	146,98
	M 35		578390	178,12
	M 15 S (PR-2B)	Mini Z8	574738 R	124,51
	M 18 S (PR-2B)	Mini Z8	574740 R	124,51
KE KELIT steelFIX Edelstahl	M 15		578312	146,98
	M 18		578314	146,98
	M 22		578316	146,98
	M 28		578318	146,98
	M 35		578390	178,12
	M 15 S (PR-2B)	Mini Z8	574738 R	124,51
	M 18 S (PR-2B)	Mini Z8	574740 R	124,51
KEMBLA KemPress (AUS)	VAU 15 (OD 12,7mm)		578630	151,86
	VAU 20 (OD 19,1mm)		578632	151,86
	VAU 25 (OD 25,4mm)		578634	151,86
	VAU 32 (OD 31,8mm)		578636	159,75
	VAU 15 (OD 12,7mm)		578630	151,86
	VAU 20 (OD 19,1mm)		578632	151,86
	VAU 25 (OD 25,4mm)		578634	151,86
KEMBLA KemPress Gas (AUS)	VAU 32 (OD 31,8mm)		578636	159,75
	VAU 15 (OD 12,7mm)		578630	151,86
	VAU 20 (OD 19,1mm)		578632	151,86
KISAN Kisan KD	KI 16		578524	187,36
	KI 20		578526	187,36
	KI 25		578528	187,36
	TH 16		578352 R	177,08
	TH 20		578358 R	177,08
	TH 25		578360	177,08
	TH 16 S (PR-2B)**	Mini Z8	574782 R	124,51
	TH 20 S (PR-2B)**	Mini Z8	574788 R	124,51
	TH 25 S (PR-2B)**	Mini Z8	574792 R	124,51
KISAN Kisan WL	KI 16		578524	187,36
	KI 20		578526	187,36
	KI 25		578528	187,36
	KI 32		578530	252,44
	TH 16		578352 R	177,08
	TH 20		578358 R	177,08
KISAN Kisan WM	TH 25		578360	177,08
	TH 32		578364	177,08
	TH 16 S (PR-2B)**	Mini Z8	574782 R	124,51
	TH 20 S (PR-2B)**	Mini Z8	574788 R	124,51
	TH 25 S (PR-2B)**	Mini Z8	574792 R	124,51
	TH 32 S (PR-2B)	Mini Z8	574798 R	136,96
	KI 16		578524	187,36
	KI 20		578526	187,36
	KI 25		578528	187,36
	KI 32		578530	252,44
	KISAN Kisan WR	U 20		578378
U 25			578380	165,66
U 32			578382	194,31
U 40			578386	236,66
TH 20			578358 R	177,08
TH 25			578360	177,08
TH 32			578364	177,08
TH 40			578624	234,69
TH 20 S (PR-2B)**		Mini Z8	574788 R	124,51
TH 25 S (PR-2B)**		Mini Z8	574792 R	124,51
TH 32 S (PR-2B)		Mini Z8	574798 R	136,96
KISAN Kistal C	M 15		578312	146,98
	M 18		578314	146,98
	M 22		578316	146,98
	M 28		578318	146,98
	M 35		578390	178,12
KISAN Kistal Inox	M 15 S (PR-2B)	Mini Z8	574738 R	124,51
	M 18 S (PR-2B)	Mini Z8	574740 R	124,51
	M 22 S (PR-2B)	Mini Z8	574742 R	124,51
	M 28 S (PR-2B)	Mini Z8	574744 R	124,51
	M 35 S (PR-2B)	Mini Z8	574746 R	136,96
	M 15		578312	146,98
<b>L</b>				
LEGEND-PRESS press fitting system	VUS 1/8" (OD 15,9mm)		578566	177,50
	VUS 3/8" (OD 22,2mm)		578568	177,50
	VUS 1" (OD 28,6mm)		578570	177,50
	VUS 1 1/2" (OD 34,9mm)		578606	177,50
LK Systems LK >B<-Press	V 12		578324	146,98
	V 15		578328	146,98
	V 18		578332	146,98
	V 22		578334	146,98
	V 28		578336	146,98
	V 35		578604	178,12
	V 12 S (PR-2B)	Mini Z8	574748 R	124,51
	V 15 S (PR-2B)	Mini Z8	574752 R	124,51
	V 18 S (PR-2B)	Mini Z8	574756 R	124,51
	V 22 S (PR-2B)	Mini Z8	574758 R	124,51
	V 28 S (PR-2B)	Mini Z8	574760 R	124,51
	V 35 S (PR-2B)	Mini Z8	574762 R	136,96

System	Pressing tongs Mini/pressing rings	Drive with adapter tongs	Art.-No.	€	System	Pressing tongs Mini/pressing rings	Drive with adapter tongs	Art.-No.	€
LK Systems	V 12		578324	146,98	Meier Tobler	H 16		578400	159,75
LK >B<-Press	V 15		578328	146,98	Metalplast - Stramax	H 20		578406	159,75
Elförzinkat	V 18		578332	146,98	Serie MM	H 25		578408	159,75
	V 22		578334	146,98		H 32		578412	159,75
	V 28		578336	146,98		RFz 16		578492	184,45
	V 35		578604	178,12		RFz 20		578494	184,45
	V 12 S (PR-2B)	Mini Z8	574748 R	124,51		RFz 25		578496	184,45
	V 15 S (PR-2B)	Mini Z8	574752 R	124,51		RFz 32		578498	184,45
	V 18 S (PR-2B)	Mini Z8	574756 R	124,51		TH 16		578352 R	177,08
	V 22 S (PR-2B)	Mini Z8	574758 R	124,51		TH 20		578358 R	177,08
	V 28 S (PR-2B)	Mini Z8	574760 R	124,51		TH 25		578360	177,08
	V 35 S (PR-2B)	Mini Z8	574762 R	136,96		TH 32		578364	177,08
						TH 40		578624	234,69
LK Systems	V 15		578328	146,98		TH 16 S (PR-2B)**	Mini Z8	574782 R	124,51
LK >B<-Press	V 18		578332	146,98		TH 20 S (PR-2B)**	Mini Z8	574788 R	124,51
Gas	V 22		578334	146,98		TH 25 S (PR-2B)**	Mini Z8	574792 R	124,51
	V 28		578336	146,98		TH 32 S (PR-2B)	Mini Z8	574798 R	136,96
	V 35		578604	178,12		U 16		578374	165,66
	V 15 S (PR-2B)	Mini Z8	574752 R	124,51		U 20		578378	165,66
	V 18 S (PR-2B)	Mini Z8	574756 R	124,51		U 25		578380	165,66
	V 22 S (PR-2B)	Mini Z8	574758 R	124,51		U 32		578382	194,31
	V 28 S (PR-2B)	Mini Z8	574760 R	124,51		U 40		578386	236,66
	V 35 S (PR-2B)	Mini Z8	574762 R	136,96					
LK Systems	TH 16		578352 R	177,08	METALGRUP	U 16		578374	165,66
LK Universal	TH 20		578358 R	177,08	Permatubo	U 18		578376	165,66
	TH 25		578360	177,08		U 20		578378	165,66
	TH 32		578364	177,08		U 25		578380	165,66
	TH 40		578624	234,69		U 32		578382	194,31
						U 40		578386	236,66
					METALGRUP	RFz 16		578492	184,45
					PexGrup	RFz 20		578494	184,45
						RFz 25		578496	184,45
						RFz 32		578498	184,45
					METALGRUP	U 16		578374	165,66
					MultiGrup	U 18		578376	165,66
						U 20		578378	165,66
						U 25		578380	165,66
						U 32		578382	194,31
					Mueller Streamline	VUS ½" (OD 15,9 mm)		578566	177,50
					PRS Copper Press	VUS ¾" (OD 22,2 mm)		578568	177,50
						VUS 1" (OD 28,6 mm)		578570	177,50
						VUS 1¼" (OD 34,9 mm)		578606	177,50
					MULTITHERM	TH 16		578352 R	177,08
					PRESSSYSTEM	TH 20		578358 R	177,08
						TH 26		578362 R	177,08
						TH 32		578364	177,08
						TH 40		578624	234,69
						TH 16 S (PR-2B)**	Mini Z8	574782 R	124,51
						TH 20 S (PR-2B)**	Mini Z8	574788 R	124,51
						TH 26 S (PR-2B)**	Mini Z8	574794 R	124,51
						TH 32 S (PR-2B)	Mini Z8	574798 R	136,96
					Multicapas Industrial	RFz 16		578492	184,45
					AIS PEX	RFz 20		578494	184,45
						RFz 25		578496	184,45
						RFz 32		578498	184,45
						U 16		578374	165,66
						U 20		578378	165,66
						U 25		578380	165,66
						U 32		578382	194,31
					Multicapas Industrial	H 16		578400	159,75
					AIS XPRT	H 20		578406	159,75
						H 25		578408	159,75
						H 26		578410	159,75
						H 32		578412	159,75
						RFz 16		578492	184,45
						RFz 20		578494	184,45
						RFz 25		578496	184,45
						RFz 32		578498	184,45
						TH 16		578352 R	177,08
						TH 20		578358 R	177,08
						TH 25		578360	177,08
						TH 26		578362 R	177,08
						TH 32		578364	177,08
						TH 40		578624	234,69
						TH 16 S (PR-2B)**	Mini Z8	574782 R	124,51
						TH 20 S (PR-2B)**	Mini Z8	574788 R	124,51
						TH 25 S (PR-2B)**	Mini Z8	574792 R	124,51
						TH 26 S (PR-2B)**	Mini Z8	574794 R	124,51
						TH 32 S (PR-2B)	Mini Z8	574798 R	136,96
						U 16		578374	165,66
						U 20		578378	165,66
						U 25		578380	165,66
						U 32		578382	194,31
						U 40		578386	236,66

## M

Pressfitting systems for gas installations may only be pressed with the pressing tongs Mini which are highlighted in yellow in the table.

Observe the national regulations. Read and observe the system provider's/manufacturer's instructions for use and assembly instructions.

\*\* Can also be driven by the ROLLER'S Easy-Press manual radial press using the Z8 adapter tongs, see page 90. Observe the national regulations.

<sup>1)</sup> Only pressing tongs from designation "108" (1<sup>st</sup> quarter of 2008), "208" (2<sup>nd</sup> quarter of 2008) etc. can be used. The designation is stamped on every pressing jaw.

<sup>2)</sup> For accommodating suitable pressing inserts.

<sup>3)</sup> Only pressing tongs from designation "117" (1<sup>st</sup> quarter of 201), "217" (2<sup>nd</sup> quarter of 2017) etc. can be used. The designation is stamped on every pressing jaw.

<sup>4)</sup> For pipes with the EN technical standard. Observe the system provider's/manufacturer's instructions for use.

<sup>5)</sup> Only use Mini pressing tongs identified by "VMP ½" G" on the pressing jaws for gas installations.

<sup>7)</sup> Previous designation: Mini C 26 pressing tongs

<sup>9)</sup> For pipes with the ASTM technical standard. Observe the system provider's/manufacturer's instructions for use.

Suitability of the ROLLER'S pressing tools for pressfitting systems: Status 27.10.2023. The current status can be found on the Internet:

[www.albert-roller.de](http://www.albert-roller.de) → Downloads → Product Catalogues, Brochures → ROLLER Catalogue.

See page 79 for adapter tongs. Pressing tongs/pressing rings for other press fitting systems on request.

System	Pressing tongs Mini/pressing rings	Drive with adapter tongs	Art.-No.	€	
Multicap Industrial multitubo systems MC	U 16		578374	165,66	
	U 18		578376	165,66	
	U 20		578378	165,66	
	U 25		578380	165,66	
	U 32		578382	194,31	
	U 40		578386	236,66	
Multicap Industrial multitubo systems MM	H 16		578400	159,75	
	H 20		578406	159,75	
	H 25		578408	159,75	
	H 26		578410	159,75	
	H 32		578412	159,75	
	RFz 16		578492	184,45	
	RFz 20		578494	184,45	
	RFz 25		578496	184,45	
	RFz 32		578498	184,45	
	TH 16		578352 R	177,08	
	TH 20		578358 R	177,08	
	TH 25		578360	177,08	
	TH 26		578362 R	177,08	
	TH 32		578364	177,08	
	TH 40		578624	234,69	
	TH 16 S (PR-2B)**	Mini Z8	574782 R	124,51	
	TH 20 S (PR-2B)**	Mini Z8	574788 R	124,51	
	TH 25 S (PR-2B)**	Mini Z8	574792 R	124,51	
	TH 26 S (PR-2B)**	Mini Z8	574794 R	124,51	
	TH 32 S (PR-2B)	Mini Z8	574798 R	136,96	
	U 16		578374	165,66	
	U 20		578378	165,66	
	U 25		578380	165,66	
	U 32		578382	194,31	
	U 40		578386	236,66	
	multipipe Deutschland multipipe mp	TH 16		578352 R	177,08
		TH 20		578358 R	177,08
		TH 26		578362 R	177,08
		TH 32		578364	177,08
		TH 40		578624	234,69
		TH 16 S (PR-2B)**	Mini Z8	574782 R	124,51
		TH 20 S (PR-2B)**	Mini Z8	574788 R	124,51
		TH 26 S (PR-2B)**	Mini Z8	574794 R	124,51
TH 32 S (PR-2B)	Mini Z8	574798 R	136,96		
<b>N</b>					
NEUTHERM MEKUPRESS-HT	H 16		578400	159,75	
	H 20		578406	159,75	
	H 26		578410	159,75	
	H 32		578412	159,75	
NIBCO Press System Copper	VUS ½" (OD 15,9 mm)		578566	177,50	
	VUS ¾" (OD 22,2 mm)		578568	177,50	
	VUS 1" (OD 28,6 mm)		578570	177,50	
	VUS 1½" (OD 34,9 mm)		578606	177,50	
NICOLL FLUXO	TH 16		578352 R	177,08	
	TH 20		578358 R	177,08	
	TH 25		578360	177,08	
	TH 26		578362 R	177,08	
	TH 32		578364	177,08	
	TH 40		578624	234,69	
	TH 16 S (PR-2B)**	Mini Z8	574782 R	124,51	
	TH 20 S (PR-2B)**	Mini Z8	574788 R	124,51	
	TH 26 S (PR-2B)**	Mini Z8	574794 R	124,51	
	TH 32 S (PR-2B)	Mini Z8	574798 R	136,96	
	NUPI Industrie Italiane Multinupi	B 16		578468	193,28
		B 18		578470	193,28
		B 20		578472	193,28
		B 26		578474	213,00
		B 32		578476	213,00
		F 16		578456	168,68
		F 18		578458	168,68
		F 20		578460	168,68
		F 26		578462	182,48
F 32			578464	182,48	
F 16 S (PR-2B)**		Mini Z8	574728 R	124,51	
F 20 S (PR-2B)**		Mini Z8	574730 R	124,51	
F 26 S (PR-2B)**		Mini Z8	574732 R	124,51	
F 32 S (PR-2B)		Mini Z8	574734 R	136,96	
H 16			578400	159,75	
H 18			578404	159,75	
H 20			578406	159,75	
H 25			578408	159,75	
H 26			578410	159,75	
H 32			578412	159,75	
TH 16			578352 R	177,08	
TH 18			578356	177,08	
TH 20			578358 R	177,08	
TH 25			578360	177,08	
TH 26			578362 R	177,08	
TH 32			578364	177,08	
TH 16 S (PR-2B)**		Mini Z8	574782 R	124,51	
TH 18 S (PR-2B)**		Mini Z8	574786 R	124,51	
TH 20 S (PR-2B)**		Mini Z8	574788 R	124,51	
TH 25 S (PR-2B)**		Mini Z8	574792 R	124,51	
TH 26 S (PR-2B)**	Mini Z8	574794 R	124,51		
TH 32 S (PR-2B)	Mini Z8	574798 R	136,96		
U 14		578372	174,38		
U 16		578374	165,66		
U 18		578376	165,66		
U 20		578378	165,66		
U 25		578380	165,66		
U 26 <sup>o</sup>		578392	194,31		
U 32		578382	194,31		
U 40		578386	236,66		
Nussbaum Optifit-Press	VMP ¾" (OD 17,2 mm)		578660	204,17	
	VMP ½" G (OD 21,3 mm)		578666 R	204,17	
	VMPz ¾" (OD 26,9 mm)		578664	204,17	

System	Pressing tongs Mini/pressing rings	Drive with adapter tongs	Art.-No.	€	
Nussbaum Optiflex-Flowpress	VRX 16		578640	186,42	
	VRX 20		578642	186,42	
	VRX 25		578644	204,17	
	VRX 32		578646	204,17	
	Nussbaum Optipress	V 15		578328	146,98
		V 18		578332	146,98
		V 22		578334	146,98
	Aquaplus	V 28		578336	146,98
		V 35		578604	178,12
		V 15 S (PR-2B)	Mini Z8	574752 R	124,51
		V 18 S (PR-2B)	Mini Z8	574756 R	124,51
		V 22 S (PR-2B)	Mini Z8	574758 R	124,51
V 28 S (PR-2B)		Mini Z8	574760 R	124,51	
V 35 S (PR-2B)		Mini Z8	574762 R	136,96	
Nussbaum Optipress Gaz		V 15		578328	146,98
		V 18		578332	146,98
		V 22		578334	146,98
		V 28		578336	146,98
	V 35		578604	178,12	
	V 15 S (PR-2B)	Mini Z8	574752 R	124,51	
Nussbaum Optipress-Therm	V 18 S (PR-2B)	Mini Z8	574756 R	124,51	
	V 22 S (PR-2B)	Mini Z8	574758 R	124,51	
	V 28 S (PR-2B)	Mini Z8	574760 R	124,51	
	V 35 S (PR-2B)	Mini Z8	574762 R	136,96	
	V 15		578328	146,98	
	V 18		578332	146,98	
	V 22		578334	146,98	
	V 28		578336	146,98	
	V 35		578604	178,12	
	V 15 S (PR-2B)	Mini Z8	574752 R	124,51	
	V 18 S (PR-2B)	Mini Z8	574756 R	124,51	
	V 22 S (PR-2B)	Mini Z8	574758 R	124,51	
	V 28 S (PR-2B)	Mini Z8	574760 R	124,51	
	V 35 S (PR-2B)	Mini Z8	574762 R	136,96	
<b>O</b>					
Oventrop Cofit P	H 16 A		578420	204,17	
	H 20 A		578426	204,17	
	H 26 A		578430	204,17	
	H 32 A		578432	204,17	
Oventrop Cofit PD	H 16 A		578420	204,17	
	H 20 A		578426	204,17	
	H 26 A		578430	204,17	
	H 32 A		578432	204,17	
Oventrop Cofit PDK	H 16 A		578420	204,17	
	H 20 A		578426	204,17	
	H 26 A		578430	204,17	
	H 32 A		578432	204,17	
Oventrop Cofit PD-HT	H 16 A		578420	204,17	
	H 20 A		578426	204,17	
	H 26 A		578430	204,17	
	H 32 A		578432	204,17	
Oventrop Cofit PDK-HT	H 16 A		578420	204,17	
	H 20 A		578426	204,17	
<b>P</b>					
PBTub SERTIPRESS	RFz 12		578490	184,45	
	RFz 16		578492	184,45	
	RFz 20		578494	184,45	
	RFz 25		578496	184,45	
PBTub SERTI-STEEL <sup>1)</sup>	M 15		578312	146,98	
	M 18		578314	146,98	
	M 22		578316	146,98	
	M 28		578318	146,98	
	M 15 S (PR-2B)	Mini Z8	574738 R	124,51	
	M 18 S (PR-2B)	Mini Z8	574740 R	124,51	
	M 22 S (PR-2B)	Mini Z8	574742 R	124,51	
	M 28 S (PR-2B)	Mini Z8	574744 R	124,51	
Pegler Yorkshire	> Aalberts integrated piping systems				
PERFEXIM PERFECT SYSTEM	U 16		578374	165,66	
	U 20		578378	165,66	
	U 25		578380	165,66	
	U 32		578382	194,31	
PERFEXIM PERFECT SYSTEM PLUS	U 16		578374	165,66	
	U 20		578378	165,66	
	U 25		578380	165,66	
	U 32		578382	194,31	
	TH 16		578352 R	177,08	
	TH 20		578358 R	177,08	
	TH 25		578360	177,08	
	TH 32		578364	177,08	
	TH 16 S (PR-2B)**	Mini Z8	574782 R	124,51	
	TH 20 S (PR-2B)**	Mini Z8	574788 R	124,51	
	TH 25 S (PR-2B)**	Mini Z8	574792 R	124,51	
	TH 32 S (PR-2B)	Mini Z8	574798 R	136,96	
	PERFILTUBO PERFILALUPEX	U 16		578374	165,66
U 18			578376	165,66	
U 20			578378	165,66	
U 25			578380	165,66	
U 32			578382	194,31	
U 40			578386	236,66	
M 15			578312	146,98	
M 18			578314	146,98	
M 22			578316	146,98	
M 28			578318	146,98	
M 35			578390	178,12	
M 15 S (PR-2B)		Mini Z8	574738 R	124,51	
M 18 S (PR-2B)		Mini Z8	574740 R	124,51	
M 22 S (PR-2B)	Mini Z8	574742 R	124,51		
M 28 S (PR-2B)	Mini Z8	574744 R	124,51		
M 35 S (PR-2B)	Mini Z8	574746 R	136,96		
PEXTUBE PexTube	RFz 16		578492	184,45	
	RFz 20		578494	184,45	
	RFz 25		578496	184,45	
	RFz 32		578498	184,45	

System	Pressing tongs Mini/pressing rings	Drive with adapter tongs	Art.-No.	€
Pipelife C-PRESS	M 15		578312	146,98
	M 18		578314	146,98
	M 22		578316	146,98
	M 28		578318	146,98
	M 35		578390	178,12
	M 15 S (PR-2B)	Mini Z8	574738 R	124,51
	M 18 S (PR-2B)	Mini Z8	574740 R	124,51
	M 22 S (PR-2B)	Mini Z8	574742 R	124,51
	M 28 S (PR-2B)	Mini Z8	574744 R	124,51
	M 35 S (PR-2B)	Mini Z8	574746 R	136,96
Pipelife RADOPRESS	TH 16		578352 R	177,08
	TH 18		578356	177,08
	TH 20		578358 R	177,08
	TH 26		578362 R	177,08
	TH 32		578364	177,08
	TH 40		578624	234,69
	TH 16 S (PR-2B)**	Mini Z8	574782 R	124,51
	TH 18 S (PR-2B)**	Mini Z8	574786 R	124,51
	TH 20 S (PR-2B)**	Mini Z8	574788 R	124,51
	TH 26 S (PR-2B)**	Mini Z8	574794 R	124,51
TH 32 S (PR-2B)	Mini Z8	574798 R	136,96	
Pipetec Connect	TH 16		578352 R	177,08
	TH 20		578358 R	177,08
	TH 26		578362 R	177,08
	TH 32		578364	177,08
	TH 40		578624	234,69
	TH 16 S (PR-2B)**	Mini Z8	574782 R	124,51
	TH 20 S (PR-2B)**	Mini Z8	574788 R	124,51
	TH 26 S (PR-2B)**	Mini Z8	574794 R	124,51
	TH 32 S (PR-2B)	Mini Z8	574798 R	136,96
	U 16		578374	165,66
U 20		578378	165,66	
U 32		578382	194,31	
PLASTICA ALFA Multiplex	TH 16		578352 R	177,08
	TH 20		578358 R	177,08
	TH 26		578362 R	177,08
	TH 32		578364	177,08
	TH 16 S (PR-2B)**	Mini Z8	574782 R	124,51
	TH 20 S (PR-2B)**	Mini Z8	574788 R	124,51
PLASTICA ALFA Multiplex Air	TH 16		578352 R	177,08
	TH 20		578358 R	177,08
	TH 26		578362 R	177,08
	TH 32		578364	177,08
	TH 16 S (PR-2B)**	Mini Z8	574782 R	124,51
	TH 20 S (PR-2B)**	Mini Z8	574788 R	124,51
PLASTICA ALFA Multiplex Alfa Gas	TH 16		578352 R	177,08
	TH 20		578358 R	177,08
	TH 26		578362 R	177,08
	TH 16 S (PR-2B)**	Mini Z8	574782 R	124,51
	TH 20 S (PR-2B)**	Mini Z8	574788 R	124,51
	TH 26 S (PR-2B)**	Mini Z8	574794 R	124,51
PLASTICA ALFA Multiplex Alfa Gas protek	TH 16		578352 R	177,08
	TH 20		578358 R	177,08
	TH 26		578362 R	177,08
	TH 16 S (PR-2B)**	Mini Z8	574782 R	124,51
	TH 20 S (PR-2B)**	Mini Z8	574788 R	124,51
	TH 26 S (PR-2B)**	Mini Z8	574794 R	124,51
PLASTICA ALFA Multiplex Plus	TH 16		578352 R	177,08
	TH 20		578358 R	177,08
	TH 26		578362 R	177,08
	TH 32		578364	177,08
	TH 16 S (PR-2B)**	Mini Z8	574782 R	124,51
	TH 20 S (PR-2B)**	Mini Z8	574788 R	124,51
PLASTICA ALFA Multiplex Thermo	TH 16		578352 R	177,08
	TH 20		578358 R	177,08
	TH 26		578362 R	177,08
	TH 32		578364	177,08
	TH 16 S (PR-2B)**	Mini Z8	574782 R	124,51
	TH 20 S (PR-2B)**	Mini Z8	574788 R	124,51
PLASTICA ALFA Multiplex Thermo Plus	TH 16		578352 R	177,08
	TH 20		578358 R	177,08
	TH 26		578362 R	177,08
	TH 32		578364	177,08
	TH 16 S (PR-2B)**	Mini Z8	574782 R	124,51
	TH 20 S (PR-2B)**	Mini Z8	574788 R	124,51
PLASTICA ALFA Multiplex Thermo Plus	TH 16		578352 R	177,08
	TH 20		578358 R	177,08
	TH 26		578362 R	177,08
	TH 32		578364	177,08
	TH 16 S (PR-2B)**	Mini Z8	574782 R	124,51
	TH 20 S (PR-2B)**	Mini Z8	574788 R	124,51

System	Pressing tongs Mini/pressing rings	Drive with adapter tongs	Art.-No.	€	
PLÁSTICOS FERRO	U 16		578374	165,66	
	U 20		578378	165,66	
	U 25		578380	165,66	
	U 32		578382	194,31	
	U 16		578374	165,66	
	U 20		578378	165,66	
	U 25		578380	165,66	
	U 32		578382	194,31	
	PLÁSTICOS FERRO	RFz 16		578492	184,45
		RFz 20		578494	184,45
RFz 25			578496	184,45	
RFz 32			578498	184,45	
K16/P18			578592	184,45	
K/20			578594	184,45	
K/25			578596	184,45	
K/32			578598	184,45	
K1/40			578600	184,45	
PLUMBING PLUS		K16/P18		578592	184,45
	K/20		578594	184,45	
	K/25		578596	184,45	
	K/32		578598	184,45	
	K1/40		578600	184,45	
	Yz 16 UNI		578740	184,45	
	Yz 20 UNI		578742	184,45	
	Yz 25 UNI		578744	184,45	
	Yz 32 UNI		578746	184,45	
	PLUMBING PLUS	VAU 15 (OD 12,7 mm)		578630	151,86
VAU 20 (OD 19,1 mm)			578632	151,86	
VAU 25 (OD 25,4 mm)			578634	151,86	
VAU 32 (OD 31,8 mm)			578636	159,75	
VAU 15 S (PR-2B) (OD 12,7 mm)		Mini Z8	574804 R	124,51	
VAU 20 S (PR-2B)** (OD 19,1 mm)		Mini Z8	574806 R	124,51	
VAU 25 S (PR-2B)** (OD 25,4 mm)		Mini Z8	574808 R	136,96	
VAU 15 (OD 12,7 mm)			578630	151,86	
VAU 20 (OD 19,1 mm)			578632	151,86	
VAU 25 (OD 25,4 mm)			578634	151,86	
PLUMBING PLUS	VAU 15 (OD 12,7 mm)		578630	151,86	
	VAU 20 (OD 19,1 mm)		578632	151,86	
	VAU 25 (OD 25,4 mm)		578634	151,86	
	VAU 32 (OD 31,8 mm)		578636	159,75	
	VAU 15 S (PR-2B) (OD 12,7 mm)	Mini Z8	574804 R	124,51	
	VAU 20 S (PR-2B)** (OD 19,1 mm)	Mini Z8	574806 R	124,51	
	VAU 25 S (PR-2B)** (OD 25,4 mm)	Mini Z8	574808 R	136,96	
	VAU 15 (OD 12,7 mm)		578630	151,86	
	VAU 20 (OD 19,1 mm)		578632	151,86	
	VAU 25 (OD 25,4 mm)		578634	151,86	
POLYPIPE	TH 10		578342	177,08	
	TH 15		578350	177,08	
	TH 22		578588	177,08	
	TH 28		578590	177,08	
	M 15		578312	146,98	
	M 18		578314	146,98	
	M 22		578316	146,98	
	M 28		578318	146,98	
	M 35		578390	178,12	
	M 15 S (PR-2B)	Mini Z8	574738 R	124,51	
POLYSAN	M 15		578312	146,98	
	M 18		578314	146,98	
	M 22		578316	146,98	
	M 28		578318	146,98	
	M 35		578390	178,12	
	M 15 S (PR-2B)	Mini Z8	574738 R	124,51	
	M 18 S (PR-2B)	Mini Z8	574740 R	124,51	
	M 22 S (PR-2B)	Mini Z8	574742 R	124,51	
	M 28 S (PR-2B)	Mini Z8	574744 R	124,51	
	M 35 S (PR-2B)	Mini Z8	574746 R	136,96	
POLYSAN	M 15		578312	146,98	
	M 18		578314	146,98	
	M 22		578316	146,98	
	M 28		578318	146,98	
	M 35		578390	178,12	
	M 15 S (PR-2B)	Mini Z8	574738 R	124,51	
	M 18 S (PR-2B)	Mini Z8	574740 R	124,51	
	M 22 S (PR-2B)	Mini Z8	574742 R	124,51	
	M 28 S (PR-2B)	Mini Z8	574744 R	124,51	
	M 35 S (PR-2B)	Mini Z8	574746 R	136,96	
POLYSAN	M 15		578312	146,98	
	M 18		578314	146,98	
	M 22		578316	146,98	
	M 28		578318	146,98	
	M 35		578390	178,12	
	M 15 S (PR-2B)	Mini Z8	574738 R	124,51	
	M 18 S (PR-2B)	Mini Z8	574740 R	124,51	
	M 22 S (PR-2B)	Mini Z8	574742 R	124,51	
	M 28 S (PR-2B)	Mini Z8	574744 R	124,51	
	M 35 S (PR-2B)	Mini Z8	574746 R	136,96	

Pressfitting systems for gas installations may only be pressed with the pressing tongs Mini which are highlighted in yellow in the table.

Observe the national regulations. Read and observe the system provider's/manufacturer's instructions for use and assembly instructions.

\*\* Can also be driven by the ROLLER'S Easy-Press manual radial press using the Z8 adapter tongs, see page 90. Observe the national regulations.

1) Only pressing tongs from designation "108" (1<sup>st</sup> quarter of 2008), "208" (2<sup>nd</sup> quarter of 2008) etc. can be used. The designation is stamped on every pressing jaw.

2) For accommodating suitable pressing inserts.

3) Only pressing tongs from designation "117" (1<sup>st</sup> quarter of 201), "217" (2<sup>nd</sup> quarter of 2017) etc. can be used. The designation is stamped on every pressing jaw.

4) For pipes with the EN technical standard. Observe the system provider's/manufacturer's instructions for use.

5) Only use Mini pressing tongs identified by "VMP 1/2" G" on the pressing jaws for gas installations.

7) Previous designation: Mini C 26 pressing tongs

9) For pipes with the ASTM technical standard. Observe the system provider's/manufacturer's instructions for use.

Suitability of the ROLLER'S pressing tools for pressfitting systems: Status 27.10.2023. The current status can be found on the Internet:

www.albert-roller.de → Downloads → Product Catalogues, Brochures → ROLLER Catalogue.

See page 79 for adapter tongs. Pressing tongs/pressing rings for other press fitting systems on request.

# ROLLER'S pressing tongs Mini / pressing rings

Accessory for ROLLER'S 22kN radial presses

System	Pressing tongs Mini/pressing rings	Drive with adapter tongs	Art.-No.	€
POLYSAN	M 15		578312	146,98
Handelsges.	M 18		578314	146,98
m.b.H. & Co KG	M 22		578316	146,98
(Krems/Österreich)	M 28		578318	146,98
	M 35		578390	178,12
POLYSAN-	M 15 S (PR-2B)	Mini Z8	574738 R	124,51
Edelstahl	M 18 S (PR-2B)	Mini Z8	574740 R	124,51
Press-System	M 22 S (PR-2B)	Mini Z8	574742 R	124,51
Wasser	M 28 S (PR-2B)	Mini Z8	574744 R	124,51
	M 35 S (PR-2B)	Mini Z8	574746 R	136,96
POLYSAN	TH 14		578348	177,08
Handelsges.	TH 16		578352 R	177,08
m.b.H. & Co KG	TH 17		578354	177,08
(Krems/Österreich)	TH 18		578356	177,08
	TH 20		578358 R	177,08
POLYSAN-	TH 26		578362 R	177,08
Press-System	TH 32		578364	177,08
	TH 40		578624	234,69
	TH 14 S (PR-2B)**	Mini Z8	574778 R	124,51
	TH 16 S (PR-2B)**	Mini Z8	574782 R	124,51
	TH 17 S (PR-2B)**	Mini Z8	574784 R	124,51
	TH 18 S (PR-2B)**	Mini Z8	574786 R	124,51
	TH 20 S (PR-2B)**	Mini Z8	574788 R	124,51
	TH 26 S (PR-2B)**	Mini Z8	574794 R	124,51
	TH 32 S (PR-2B)**	Mini Z8	574798 R	136,96
POLYSAN	TH 14		578348	177,08
Handelsges.	TH 16		578352 R	177,08
m.b.H. & Co KG	TH 17		578354	177,08
(Krems/Österreich)	TH 18		578356	177,08
	TH 20		578358 R	177,08
POLYSAN-Henco-	TH 26		578362 R	177,08
Press-System	HE 32		578370 R	212,06
	HEz 40 <sup>3)</sup>		578572	307,66
	TH 14 S (PR-2B)**	Mini Z8	574778 R	124,51
	TH 16 S (PR-2B)**	Mini Z8	574782 R	124,51
	TH 17 S (PR-2B)**	Mini Z8	574784 R	124,51
	TH 18 S (PR-2B)**	Mini Z8	574786 R	124,51
	TH 20 S (PR-2B)**	Mini Z8	574788 R	124,51
	TH 26 S (PR-2B)**	Mini Z8	574794 R	124,51
POLYSAN (España)	U 16		578374	165,66
„Rainbow“	U 18		578376	165,66
	U 20		578378	165,66
	U 25		578380	165,66
	U 32		578382	194,31
	U 40		578386	236,66
Prandelli	H 14		578398	159,75
Multyrama Pf	H 16		578400	159,75
	H 18		578404	159,75
	H 20		578406	159,75
	H 26		578410	159,75
	H 32		578412	159,75
	U 40		578386	236,66
Prandelli	H 16		578400	159,75
Multyrama Pfm	H 18		578404	159,75
	H 20		578406	159,75
	H 26		578410	159,75
	H 32		578412	159,75
	TH 16		578352 R	177,08
	TH 18		578356	177,08
	TH 20		578358 R	177,08
	TH 26		578362 R	177,08
	TH 32		578364	177,08
	TH 40		578624	234,69
	TH 16 S (PR-2B)**	Mini Z8	574782 R	124,51
	TH 18 S (PR-2B)**	Mini Z8	574786 R	124,51
	TH 20 S (PR-2B)**	Mini Z8	574788 R	124,51
	TH 26 S (PR-2B)**	Mini Z8	574794 R	124,51
	TH 32 S (PR-2B)**	Mini Z8	574798 R	136,96
	U 16		578374	165,66
	U 18		578376	165,66
	U 20		578378	165,66
	U 40		578386	236,66
PURMO	F 16		578456	168,68
Cleverfit Radial	F 20		578460	168,68
	F 26		578462	182,48
	F 32		578464	182,48
	F 16 S (PR-2B)**	Mini Z8	574728 R	124,51
	F 20 S (PR-2B)**	Mini Z8	574730 R	124,51
	F 26 S (PR-2B)**	Mini Z8	574732 R	124,51
	F 32 S (PR-2B)**	Mini Z8	574734 R	136,96
	H 16		578400	159,75
	H 20		578406	159,75
	H 26		578410	159,75
	H 32		578412	159,75
	TH 14		578348	177,08
	TH 16		578352 R	177,08
	TH 17		578354	177,08
	TH 20		578358 R	177,08
	TH 26		578362 R	177,08
	TH 32		578364	177,08
	TH 40		578624	234,69
	TH 14 S (PR-2B)**	Mini Z8	574778 R	124,51
	TH 16 S (PR-2B)**	Mini Z8	574782 R	124,51
	TH 17 S (PR-2B)**	Mini Z8	574784 R	124,51
	TH 20 S (PR-2B)**	Mini Z8	574788 R	124,51
	TH 26 S (PR-2B)**	Mini Z8	574794 R	124,51
	TH 32 S (PR-2B)**	Mini Z8	574798 R	136,96
	U 16		578374	165,66
	U 20		578378	165,66
	U 32		578382	194,31
	VP 16		578482	176,56
	VP 20		578484	176,56
	VP 32		578488	195,25

System	Pressing tongs Mini/pressing rings	Drive with adapter tongs	Art.-No.	€
	<b>R</b>			
Raccorderie	M 15		578312	146,98
Metallische	M 18		578314	146,98
aesPRES <sup>1)</sup>	M 22		578316	146,98
	M 28		578318	146,98
	M 35		578390	178,12
	M 15 S (PR-2B)	Mini Z8	574738 R	124,51
	M 18 S (PR-2B)	Mini Z8	574740 R	124,51
	M 22 S (PR-2B)	Mini Z8	574742 R	124,51
	M 28 S (PR-2B)	Mini Z8	574744 R	124,51
	M 35 S (PR-2B)	Mini Z8	574746 R	136,96
Raccorderie	M 15		578312	146,98
Metallische	M 18		578314	146,98
inoxPRES <sup>1)</sup>	M 22		578316	146,98
	M 28		578318	146,98
	M 35		578390	178,12
	M 15 S (PR-2B)	Mini Z8	574738 R	124,51
	M 18 S (PR-2B)	Mini Z8	574740 R	124,51
	M 22 S (PR-2B)	Mini Z8	574742 R	124,51
	M 28 S (PR-2B)	Mini Z8	574744 R	124,51
	M 35 S (PR-2B)	Mini Z8	574746 R	136,96
Raccorderie	M 15		578312	146,98
Metallische	M 18		578314	146,98
MARINEPRES <sup>1)</sup>	M 22		578316	146,98
	M 28		578318	146,98
	M 35		578390	178,12
	M 15 S (PR-2B)	Mini Z8	574738 R	124,51
	M 18 S (PR-2B)	Mini Z8	574740 R	124,51
	M 22 S (PR-2B)	Mini Z8	574742 R	124,51
	M 28 S (PR-2B)	Mini Z8	574744 R	124,51
	M 35 S (PR-2B)	Mini Z8	574746 R	136,96
Raccorderie	M 15		578312	146,98
Metallische	M 18		578314	146,98
steelPRES <sup>1)</sup>	M 22		578316	146,98
	M 28		578318	146,98
	M 35		578390	178,12
	M 15 S (PR-2B)	Mini Z8	574738 R	124,51
	M 18 S (PR-2B)	Mini Z8	574740 R	124,51
	M 22 S (PR-2B)	Mini Z8	574742 R	124,51
	M 28 S (PR-2B)	Mini Z8	574744 R	124,51
	M 35 S (PR-2B)	Mini Z8	574746 R	136,96
RBM Tita-fix	B 14		578466	193,28
	B 16		578468	193,28
	B 18		578470	193,28
	B 20		578472	193,28
	B 26		578474	213,00
	F 16		578456	168,68
	F 18		578458	168,68
	F 20		578460	168,68
	F 16 S (PR-2B)**	Mini Z8	574728 R	124,51
	F 20 S (PR-2B)**	Mini Z8	574730 R	124,51
	H 14		578398	159,75
	H 16		578400	159,75
	H 18		578404	159,75
	H 20		578406	159,75
	H 26		578410	159,75
	H 32		578412	159,75
	TH 14		578348	177,08
	TH 16		578352 R	177,08
	TH 18		578356	177,08
	TH 20		578358 R	177,08
	TH 26		578362 R	177,08
	TH 32		578364	177,08
	TH 40		578624	234,69
	TH 16 S (PR-2B)**	Mini Z8	574782 R	124,51
	TH 20 S (PR-2B)**	Mini Z8	574788 R	124,51
	TH 26 S (PR-2B)**	Mini Z8	574794 R	124,51
	TH 32 S (PR-2B)**	Mini Z8	574798 R	136,96
	U 14		578372	174,38
	U 16		578374	165,66
	U 18		578376	165,66
	U 20		578378	165,66
RBM Tita-gas	TH 16		578352 R	177,08
	TH 20		578358 R	177,08
	TH 26		578362 R	177,08
	TH 32		578364	177,08
	TH 16 S (PR-2B)**	Mini Z8	574782 R	124,51
	TH 20 S (PR-2B)**	Mini Z8	574788 R	124,51
	TH 26 S (PR-2B)**	Mini Z8	574794 R	124,51
	TH 32 S (PR-2B)**	Mini Z8	574798 R	136,96
Redi Nicoll Fluxo	TH 14		578348	177,08
	TH 16		578352 R	177,08
	TH 18		578356	177,08
	TH 20		578358 R	177,08
	TH 26		578362 R	177,08
	TH 32		578364	177,08
	TH 40		578624	234,69
	TH 16 S (PR-2B)**	Mini Z8	574782 R	124,51
	TH 20 S (PR-2B)**	Mini Z8	574788 R	124,51
	TH 26 S (PR-2B)**	Mini Z8	574794 R	124,51
	TH 32 S (PR-2B)**	Mini Z8	574798 R	136,96

System	Pressing tongs Mini/pressing rings	Drive with adapter tongs	Art.-No.	€
Redi Nicoll Fluxo Gas	TH 16		578352 R	177,08
	TH 20		578358 R	177,08
	TH 26		578362 R	177,08
	TH 16 S (PR-2B)**	Mini Z8	574782 R	124,51
	TH 20 S (PR-2B)**	Mini Z8	574788 R	124,51
	TH 26 S (PR-2B)**	Mini Z8	574794 R	124,51
RIFENG LD	LD 16		578652	182,69
PRESS FITTING (F8)	LD 20		578654	182,69
	LD 25		578656	182,69
RIFENG U	U 14		578372	174,38
PRESS FITTING (F5)	U 16		578374	165,66
	U 18		578376	165,66
	U 20		578378	165,66
	U 25		578380	165,66
	U 32		578382	194,31
	U 40		578386	236,66
RIFENG TH	TH 16		578352 R	177,08
PRESS FITTING (F9)	TH 20		578358 R	177,08
	TH 25		578360	177,08
	TH 26		578362 R	177,08
	TH 32		578364	177,08
	TH 40		578624	234,69
R/QUIER A SERTIR	RFz 12		578490	184,45
	RFz 16		578492	184,45
	RFz 20		578494	184,45
	RFz 25		578496	184,45
R/QUIER Système multicouche	TH 16		578352 R	177,08
	TH 20		578358 R	177,08
	TH 26		578362 R	177,08
	TH 32		578364	177,08
	TH 40		578624	234,69
	TH 16 S (PR-2B)**	Mini Z8	574782 R	124,51
	TH 20 S (PR-2B)**	Mini Z8	574788 R	124,51
	TH 26 S (PR-2B)**	Mini Z8	574794 R	124,51
	TH 32 S (PR-2B)	Mini Z8	574798 R	136,96
	U 16		578374	165,66
	U 20		578378	165,66
	U 32		578382	194,31
	U 40		578386	236,66
Roth PressCheck	RN 14		578434	165,66
	RN 16		578454	165,66
	RN 17		578436	165,66
	RN 20		578438	165,66
	RN 25/26		578440	165,66
	RN 32		578442	194,31
Rubinetterie	M 15		578312	146,98
Bresciane	M 18		578314	146,98
Bonomi	M 22		578316	146,98
TURBO CuNi	M 28		578318	146,98
	M 35		578390	178,12
	M 15 S (PR-2B)	Mini Z8	574738 R	124,51
	M 18 S (PR-2B)	Mini Z8	574740 R	124,51
	M 22 S (PR-2B)	Mini Z8	574742 R	124,51
	M 28 S (PR-2B)	Mini Z8	574744 R	124,51
	M 35 S (PR-2B)	Mini Z8	574746 R	136,96
Rubinetterie	M 15		578312	146,98
Bresciane	M 18		578314	146,98
Bonomi	M 22		578316	146,98
TURBO INOX	M 28		578318	146,98
	M 35		578390	178,12
	M 15 S (PR-2B)	Mini Z8	574738 R	124,51
	M 18 S (PR-2B)	Mini Z8	574740 R	124,51
	M 22 S (PR-2B)	Mini Z8	574742 R	124,51
	M 28 S (PR-2B)	Mini Z8	574744 R	124,51
	M 35 S (PR-2B)	Mini Z8	574746 R	136,96
Rubinetterie	M 15		578312	146,98
Bresciane	M 18		578314	146,98
Bonomi	M 22		578316	146,98
TURBO INOX GAS	M 28		578318	146,98
	M 35		578390	178,12
	M 15 S (PR-2B)	Mini Z8	574738 R	124,51
	M 18 S (PR-2B)	Mini Z8	574740 R	124,51
	M 22 S (PR-2B)	Mini Z8	574742 R	124,51
	M 28 S (PR-2B)	Mini Z8	574744 R	124,51
	M 35 S (PR-2B)	Mini Z8	574746 R	136,96

System	Pressing tongs Mini/pressing rings	Drive with adapter tongs	Art.-No.	€
Rubinetterie	M 15		578312	146,98
Bresciane	M 18		578314	146,98
Bonomi	M 22		578316	146,98
TURBO STEEL	M 28		578318	146,98
	M 35		578390	178,12
	M 15 S (PR-2B)	Mini Z8	574738 R	124,51
	M 18 S (PR-2B)	Mini Z8	574740 R	124,51
	M 22 S (PR-2B)	Mini Z8	574742 R	124,51
	M 28 S (PR-2B)	Mini Z8	574744 R	124,51
	M 35 S (PR-2B)	Mini Z8	574746 R	136,96
Rubinetterie	B 14		578466	193,28
Bresciane	B 16		578468	193,28
Bonomi	B 18		578470	193,28
TURBO PRESS	B 20		578472	193,28
	B 26		578474	213,00
	B 32		578476	213,00
	H 14		578398	159,75
	H 16		578400	159,75
	H 18		578404	159,75
	H 20		578406	159,75
	H 26		578410	159,75
	H 32		578412	159,75
	TH 14		578348	177,08
	TH 16		578352 R	177,08
	TH 18		578356	177,08
	TH 20		578358 R	177,08
	TH 26		578362 R	177,08
	TH 32		578364	177,08
	TH 40		578624	234,69
	TH 16 S (PR-2B)**	Mini Z8	574782 R	124,51
	TH 20 S (PR-2B)**	Mini Z8	574788 R	124,51
	TH 26 S (PR-2B)**	Mini Z8	574794 R	124,51
	TH 32 S (PR-2B)	Mini Z8	574798 R	136,96
	U 14		578372	174,38
	U 16		578374	165,66
	U 18		578376	165,66
	U 20		578378	165,66
	U 26 <sup>1)</sup>		578392	194,31
	U 32		578382	194,31
Rubinetterie	TH 16		578352 R	177,08
Bresciane	TH 20		578358 R	177,08
Bonomi	TH 26		578362 R	177,08
TURBO PRESS	TH 32		578364	177,08
GAS	TH 16 S (PR-2B)**	Mini Z8	574782 R	124,51
	TH 20 S (PR-2B)**	Mini Z8	574788 R	124,51
	TH 26 S (PR-2B)**	Mini Z8	574794 R	124,51
	TH 32 S (PR-2B)	Mini Z8	574798 R	136,96
<b>S</b>				
SA.MI PLASTIC	TH 14		578348	177,08
	TH 16		578352 R	177,08
	TH 18		578356	177,08
	TH 20		578358 R	177,08
	TH 26		578362 R	177,08
	TH 32		578364	177,08
	TH 40		578624	234,69
	TH 14 S (PR-2B)**	Mini Z8	574778 R	124,51
	TH 16 S (PR-2B)**	Mini Z8	574782 R	124,51
	TH 18 S (PR-2B)**	Mini Z8	574786 R	124,51
	TH 20 S (PR-2B)**	Mini Z8	574788 R	124,51
	TH 26 S (PR-2B)**	Mini Z8	574794 R	124,51
	TH 32 S (PR-2B)	Mini Z8	574798 R	136,96
SA.MI PLASTIC Multistrato Gas	TH 16		578352 R	177,08
	TH 20		578358 R	177,08
	TH 26		578362 R	177,08
	TH 32		578364	177,08
	TH 16 S (PR-2B)**	Mini Z8	574782 R	124,51
	TH 20 S (PR-2B)**	Mini Z8	574788 R	124,51
	TH 26 S (PR-2B)**	Mini Z8	574794 R	124,51
	TH 32 S (PR-2B)	Mini Z8	574798 R	136,96

Pressfitting systems for gas installations may only be pressed with the pressing tongs Mini which are highlighted in yellow in the table.

Observe the national regulations. Read and observe the system provider's/manufacturer's instructions for use and assembly instructions.

\*\* Can also be driven by the ROLLER'S Easy-Press manual radial press using the Z8 adapter tongs, see page 90. Observe the national regulations.

<sup>1)</sup> Only pressing tongs from designation "108" (1<sup>st</sup> quarter of 2008), "208" (2<sup>nd</sup> quarter of 2008) etc. can be used. The designation is stamped on every pressing jaw.

<sup>2)</sup> For accommodating suitable pressing inserts.

<sup>3)</sup> Only pressing tongs from designation "117" (1<sup>st</sup> quarter of 201), "217" (2<sup>nd</sup> quarter of 2017) etc. can be used. The designation is stamped on every pressing jaw.

<sup>4)</sup> For pipes with the EN technical standard. Observe the system provider's/manufacturer's instructions for use.

<sup>5)</sup> Only use Mini pressing tongs identified by "VMP ½" G" on the pressing jaws for gas installations.

<sup>7)</sup> Previous designation: Mini C 26 pressing tongs

<sup>9)</sup> For pipes with the ASTM technical standard. Observe the system provider's/manufacturer's instructions for use.

Suitability of the ROLLER'S pressing tools for pressfitting systems: Status 27.10.2023. The current status can be found on the Internet:

[www.albert-roller.de](http://www.albert-roller.de) → Downloads → Product Catalogues, Brochures → ROLLER Catalogue.

See page 79 for adapter tongs. Pressing tongs/pressing rings for other press fitting systems on request.



# ROLLER'S pressing tongs Mini / pressing rings

Accessory for ROLLER'S 22kN radial presses

System	Pressing tongs Mini/pressing rings	Drive with adapter tongs	Art.-No.	€	System	Pressing tongs Mini/pressing rings	Drive with adapter tongs	Art.-No.	€		
SANHA 3fit-Press Pb-free Serie 25000	B 16		578468	193,28	SANHA-NiroSan Industry Presssystem Serie 18000	SA 15		578514	176,56		
	B 20		578472	193,28		SA 18		578518	176,56		
	B 26		578474	213,00		SA 22		578520	176,56		
	B 32		578476	213,00		SA 28		578522	176,56		
	F 16		578456	168,68		M 15 <sup>1)</sup>		578312	146,98		
	F 20		578460	168,68		M 18 <sup>1)</sup>		578314	146,98		
	F 26		578462	182,48		M 22 <sup>1)</sup>		578316	146,98		
	F 32		578464	182,48		M 28		578318	146,98		
	Fz 40		578478	247,15		M 35		578390	178,12		
	F 16 S (PR-2B)**	Mini Z8	574728 R	124,51		M 15 S (PR-2B)	Mini Z8	574738 R	124,51		
	F 20 S (PR-2B)**	Mini Z8	574730 R	124,51		M 18 S (PR-2B)	Mini Z8	574740 R	124,51		
	F 26 S (PR-2B)**	Mini Z8	574732 R	124,51		M 22 S (PR-2B)	Mini Z8	574742 R	124,51		
	F 32 S (PR-2B)	Mini Z8	574734 R	136,96		M 28 S (PR-2B)	Mini Z8	574744 R	124,51		
	H 16		578400	159,75		M 35 S (PR-2B)	Mini Z8	574746 R	136,96		
	H 20		578406	159,75		V 15 <sup>1)</sup>		578328	146,98		
	H 26		578410	159,75		V 18 <sup>1)</sup>		578332	146,98		
	H 32		578412	159,75		V 22 <sup>1)</sup>		578334	146,98		
	TH 16		578352 R	177,08		V 28		578336	146,98		
	TH 20		578358 R	177,08		V 35		578604	178,12		
	TH 26		578362 R	177,08		V 15 S (PR-2B)	Mini Z8	574752 R	124,51		
	TH 32		578364	177,08		V 18 S (PR-2B)	Mini Z8	574756 R	124,51		
	TH 40		578624	234,69		V 22 S (PR-2B)	Mini Z8	574758 R	124,51		
	TH 16 S (PR-2B)**	Mini Z8	574782 R	124,51		V 28 S (PR-2B)	Mini Z8	574760 R	124,51		
	TH 20 S (PR-2B)**	Mini Z8	574788 R	124,51		V 35 S (PR-2B)	Mini Z8	574762 R	136,96		
	TH 26 S (PR-2B)**	Mini Z8	574794 R	124,51		SANHA-NiroSan- Presssystem Serie 9000	SA 15		578514	176,56	
	TH 32 S (PR-2B)	Mini Z8	574798 R	136,96			SA 18		578518	176,56	
	U 16		578374	165,66			SA 22		578520	176,56	
	U 20		578378	165,66			SA 28		578522	176,56	
	U 26 <sup>1)</sup>		578392	194,31			M 15 <sup>1)</sup>		578312	146,98	
	U 32		578382	194,31			M 18 <sup>1)</sup>		578314	146,98	
	U 40		578386	236,66			M 22 <sup>1)</sup>		578316	146,98	
	SANHA 3fit-Press PPSU Serie 35000	B 16		578468			193,28	M 28		578318	146,98
		B 20		578472			193,28	M 35		578390	178,12
B 26			578474	213,00	M 15 S (PR-2B)		Mini Z8	574738 R	124,51		
B 32			578476	213,00	M 18 S (PR-2B)		Mini Z8	574740 R	124,51		
F 16			578456	168,68	M 22 S (PR-2B)		Mini Z8	574742 R	124,51		
F 20			578460	168,68	M 28 S (PR-2B)		Mini Z8	574744 R	124,51		
F 26			578462	182,48	M 35 S (PR-2B)		Mini Z8	574746 R	136,96		
F 32			578464	182,48	V 15 <sup>1)</sup>			578328	146,98		
F 16 S (PR-2B)**		Mini Z8	574728 R	124,51	V 18 <sup>1)</sup>		578332	146,98			
F 20 S (PR-2B)**		Mini Z8	574730 R	124,51	V 22 <sup>1)</sup>		578334	146,98			
F 26 S (PR-2B)**		Mini Z8	574732 R	124,51	V 28		578336	146,98			
F 32 S (PR-2B)		Mini Z8	574734 R	136,96	V 35		578604	178,12			
H 16			578400	159,75	V 15 S (PR-2B)	Mini Z8	574752 R	124,51			
H 20			578406	159,75	V 18 S (PR-2B)	Mini Z8	574756 R	124,51			
H 26			578410	159,75	V 22 S (PR-2B)	Mini Z8	574758 R	124,51			
H 32			578412	159,75	V 28 S (PR-2B)	Mini Z8	574760 R	124,51			
TH 16			578352 R	177,08	V 35 S (PR-2B)	Mini Z8	574762 R	136,96			
TH 20			578358 R	177,08	SANHA-NiroSan SF Presssystem Serie 19000 (silicone free)	SA 15		578514	176,56		
TH 26			578362 R	177,08		SA 18		578518	176,56		
TH 32			578364	177,08		SA 22		578520	176,56		
TH 16 S (PR-2B)**		Mini Z8	574782 R	124,51		SA 28		578522	176,56		
TH 20 S (PR-2B)**		Mini Z8	574788 R	124,51		M 15 <sup>1)</sup>		578312	146,98		
TH 26 S (PR-2B)**		Mini Z8	574794 R	124,51		M 18 <sup>1)</sup>		578314	146,98		
TH 32 S (PR-2B)		Mini Z8	574798 R	136,96		M 22 <sup>1)</sup>		578316	146,98		
U 16			578374	165,66		M 28		578318	146,98		
U 20			578378	165,66		M 35		578390	178,12		
U 26 <sup>1)</sup>			578392	194,31		M 15 S (PR-2B)	Mini Z8	574738 R	124,51		
U 32			578382	194,31		M 18 S (PR-2B)	Mini Z8	574740 R	124,51		
SANHA Heavy Steel Press		VMP ½" G (OD 21,3 mm)		578666 R		204,17	M 22 S (PR-2B)	Mini Z8	574742 R	124,51	
		VMPz ¾" (OD 26,9 mm)		578664		204,17	M 28 S (PR-2B)	Mini Z8	574744 R	124,51	
		SANHA Heavy Steel Press Gas	VMP ½" G (OD 21,3 mm) <sup>1)</sup>			578666 R	204,17	M 35 S (PR-2B)	Mini Z8	574746 R	136,96
			VMPz ¾" (OD 26,9 mm)			578664	204,17	V 15 <sup>1)</sup>		578328	146,98
		SANHA-NiroSan Gas Presssystem Serie 17000	SA 15		578514	176,56	V 18 <sup>1)</sup>		578332	146,98	
	SA 18			578518	176,56	V 22 <sup>1)</sup>		578334	146,98		
	SA 22			578520	176,56	V 28		578336	146,98		
	SA 28			578522	176,56	V 35		578604	178,12		
	M 15 <sup>1)</sup>			578312	146,98	V 15 S (PR-2B)	Mini Z8	574752 R	124,51		
	M 18 <sup>1)</sup>			578314	146,98	V 18 S (PR-2B)	Mini Z8	574756 R	124,51		
	M 22 <sup>1)</sup>			578316	146,98	V 22 S (PR-2B)	Mini Z8	574758 R	124,51		
	M 28			578318	146,98	V 28 S (PR-2B)	Mini Z8	574760 R	124,51		
	M 35			578390	178,12	V 35 S (PR-2B)	Mini Z8	574762 R	136,96		
	M 15 S (PR-2B)		Mini Z8	574738 R	124,51	SANHA NiroTherm Serie 91000	SA 15		578514	176,56	
	M 18 S (PR-2B)		Mini Z8	574740 R	124,51		SA 18		578518	176,56	
	M 22 S (PR-2B)		Mini Z8	574742 R	124,51		SA 22		578520	176,56	
	M 28 S (PR-2B)		Mini Z8	574744 R	124,51		SA 28		578522	176,56	
	M 35 S (PR-2B)		Mini Z8	574746 R	136,96		M 15 <sup>1)</sup>		578312	146,98	
	V 15 <sup>1)</sup>			578328	146,98		M 18 <sup>1)</sup>		578314	146,98	
	V 18 <sup>1)</sup>			578332	146,98		M 22 <sup>1)</sup>		578316	146,98	
	V 22 <sup>1)</sup>			578334	146,98		M 28		578318	146,98	
	V 28			578336	146,98		M 35		578390	178,12	
	V 35			578604	178,12		M 15 S (PR-2B)	Mini Z8	574738 R	124,51	
	V 15 S (PR-2B)		Mini Z8	574752 R	124,51		M 18 S (PR-2B)	Mini Z8	574740 R	124,51	
V 18 S (PR-2B)	Mini Z8		574756 R	124,51	M 22 S (PR-2B)		Mini Z8	574742 R	124,51		
V 22 S (PR-2B)	Mini Z8		574758 R	124,51	M 28 S (PR-2B)		Mini Z8	574744 R	124,51		
V 28 S (PR-2B)	Mini Z8		574760 R	124,51	M 35 S (PR-2B)		Mini Z8	574746 R	136,96		
V 35 S (PR-2B)	Mini Z8		574762 R	136,96	V 15 <sup>1)</sup>			578328	146,98		
				V 18 <sup>1)</sup>		578332	146,98				
				V 22 <sup>1)</sup>		578334	146,98				
				V 28		578336	146,98				
				V 35		578604	178,12				
				V 15 S (PR-2B)	Mini Z8	574752 R	124,51				
				V 18 S (PR-2B)	Mini Z8	574756 R	124,51				
				V 22 S (PR-2B)	Mini Z8	574758 R	124,51				
				V 28 S (PR-2B)	Mini Z8	574760 R	124,51				
				V 35 S (PR-2B)	Mini Z8	574762 R	136,96				

System	Pressing tongs Mini/pressing rings	Drive with adapter tongs	Art.-No.	€	System	Pressing tongs Mini/pressing rings	Drive with adapter tongs	Art.-No.	€
SANHA NiroTherm Industry Serie 98000	SA 15		578514	176,56	SANHA-Press Pressfittings Serie 6000	SA 12		578510	256,39
	SA 18		578518	176,56		SA 14		578512	256,39
	SA 22		578520	176,56		SA 15		578514	176,56
	SA 28		578522	176,56		SA 16		578516	176,56
	M 15 <sup>1)</sup>		578312	146,98		SA 18		578518	176,56
	M 18 <sup>1)</sup>		578314	146,98		SA 22		578520	176,56
	M 22 <sup>1)</sup>		578316	146,98		SA 28		578522	176,56
	M 28		578318	146,98		M 12		578310	146,98
	M 35		578390	178,12		M 15 <sup>1)</sup>		578312	146,98
	M 15 S (PR-2B)	Mini Z8	574738 R	124,51		M 18 <sup>1)</sup>		578314	146,98
	M 18 S (PR-2B)	Mini Z8	574740 R	124,51		M 22 <sup>1)</sup>		578316	146,98
	M 22 S (PR-2B)	Mini Z8	574742 R	124,51		M 28		578318	146,98
	M 28 S (PR-2B)	Mini Z8	574744 R	124,51		M 35		578390	178,12
	M 35 S (PR-2B)	Mini Z8	574746 R	136,96		M 12 S (PR-2B)	Mini Z8	574736 R	124,51
	V 15 <sup>1)</sup>		578328	146,98		M 15 S (PR-2B)	Mini Z8	574738 R	124,51
	V 18 <sup>1)</sup>		578332	146,98		M 18 S (PR-2B)	Mini Z8	574740 R	124,51
	V 22 <sup>1)</sup>		578334	146,98		M 22 S (PR-2B)	Mini Z8	574742 R	124,51
	V 28		578336	146,98		M 28 S (PR-2B)	Mini Z8	574744 R	124,51
	V 35		578604	178,12		M 35 S (PR-2B)	Mini Z8	574746 R	136,96
	V 15 S (PR-2B)	Mini Z8	574752 R	124,51		V 12		578324	146,98
	V 18 S (PR-2B)	Mini Z8	574756 R	124,51		V 15 <sup>1)</sup>		578328	146,98
	V 22 S (PR-2B)	Mini Z8	574758 R	124,51		V 18 <sup>1)</sup>		578332	146,98
	V 28 S (PR-2B)	Mini Z8	574760 R	124,51		V 22 <sup>1)</sup>		578334	146,98
	V 35 S (PR-2B)	Mini Z8	574762 R	136,96		V 28		578336	146,98
				V 35		578604	178,12		
				V 12 S (PR-2B)	Mini Z8	574748 R	124,51		
				V 14 S (PR-2B)	Mini Z8	574750 R	124,51		
				V 16 S (PR-2B)	Mini Z8	574752 R	124,51		
				V 18 S (PR-2B)	Mini Z8	574754 R	124,51		
				V 20 S (PR-2B)	Mini Z8	574756 R	124,51		
				V 22 S (PR-2B)	Mini Z8	574758 R	124,51		
				V 24 S (PR-2B)	Mini Z8	574760 R	124,51		
				V 26 S (PR-2B)	Mini Z8	574762 R	136,96		
				V 28 S (PR-2B)	Mini Z8	574764 R	146,98		
				V 30 S (PR-2B)	Mini Z8	574766 R	146,98		
				V 32 S (PR-2B)	Mini Z8	574768 R	146,98		
				V 34 S (PR-2B)	Mini Z8	574770 R	146,98		
				V 36 S (PR-2B)	Mini Z8	574772 R	146,98		
				V 38 S (PR-2B)	Mini Z8	574774 R	146,98		
				V 40 S (PR-2B)	Mini Z8	574776 R	146,98		
				V 42 S (PR-2B)	Mini Z8	574778 R	146,98		
				V 44 S (PR-2B)	Mini Z8	574780 R	146,98		
				V 46 S (PR-2B)	Mini Z8	574782 R	146,98		
				V 48 S (PR-2B)	Mini Z8	574784 R	146,98		
				V 50 S (PR-2B)	Mini Z8	574786 R	146,98		
				V 52 S (PR-2B)	Mini Z8	574788 R	146,98		
				V 54 S (PR-2B)	Mini Z8	574790 R	146,98		
				V 56 S (PR-2B)	Mini Z8	574792 R	146,98		
				V 58 S (PR-2B)	Mini Z8	574794 R	146,98		
				V 60 S (PR-2B)	Mini Z8	574796 R	146,98		
				V 62 S (PR-2B)	Mini Z8	574798 R	146,98		
				V 64 S (PR-2B)	Mini Z8	574800 R	146,98		
				V 66 S (PR-2B)	Mini Z8	574802 R	146,98		
				V 68 S (PR-2B)	Mini Z8	574804 R	146,98		
				V 70 S (PR-2B)	Mini Z8	574806 R	146,98		
				V 72 S (PR-2B)	Mini Z8	574808 R	146,98		
				V 74 S (PR-2B)	Mini Z8	574810 R	146,98		
				V 76 S (PR-2B)	Mini Z8	574812 R	146,98		
				V 78 S (PR-2B)	Mini Z8	574814 R	146,98		
				V 80 S (PR-2B)	Mini Z8	574816 R	146,98		
				V 82 S (PR-2B)	Mini Z8	574818 R	146,98		
				V 84 S (PR-2B)	Mini Z8	574820 R	146,98		
				V 86 S (PR-2B)	Mini Z8	574822 R	146,98		
				V 88 S (PR-2B)	Mini Z8	574824 R	146,98		
				V 90 S (PR-2B)	Mini Z8	574826 R	146,98		
				V 92 S (PR-2B)	Mini Z8	574828 R	146,98		
				V 94 S (PR-2B)	Mini Z8	574830 R	146,98		
				V 96 S (PR-2B)	Mini Z8	574832 R	146,98		
				V 98 S (PR-2B)	Mini Z8	574834 R	146,98		
				V 100 S (PR-2B)	Mini Z8	574836 R	146,98		
				V 102 S (PR-2B)	Mini Z8	574838 R	146,98		
				V 104 S (PR-2B)	Mini Z8	574840 R	146,98		
				V 106 S (PR-2B)	Mini Z8	574842 R	146,98		
				V 108 S (PR-2B)	Mini Z8	574844 R	146,98		
				V 110 S (PR-2B)	Mini Z8	574846 R	146,98		
				V 112 S (PR-2B)	Mini Z8	574848 R	146,98		
				V 114 S (PR-2B)	Mini Z8	574850 R	146,98		
				V 116 S (PR-2B)	Mini Z8	574852 R	146,98		
				V 118 S (PR-2B)	Mini Z8	574854 R	146,98		
				V 120 S (PR-2B)	Mini Z8	574856 R	146,98		
				V 122 S (PR-2B)	Mini Z8	574858 R	146,98		
				V 124 S (PR-2B)	Mini Z8	574860 R	146,98		
				V 126 S (PR-2B)	Mini Z8	574862 R	146,98		
				V 128 S (PR-2B)	Mini Z8	574864 R	146,98		
				V 130 S (PR-2B)	Mini Z8	574866 R	146,98		
				V 132 S (PR-2B)	Mini Z8	574868 R	146,98		
				V 134 S (PR-2B)	Mini Z8	574870 R	146,98		
				V 136 S (PR-2B)	Mini Z8	574872 R	146,98		
				V 138 S (PR-2B)	Mini Z8	574874 R	146,98		
				V 140 S (PR-2B)	Mini Z8	574876 R	146,98		
				V 142 S (PR-2B)	Mini Z8	574878 R	146,98		
				V 144 S (PR-2B)	Mini Z8	574880 R	146,98		
				V 146 S (PR-2B)	Mini Z8	574882 R	146,98		
				V 148 S (PR-2B)	Mini Z8	574884 R	146,98		
				V 150 S (PR-2B)	Mini Z8	574886 R	146,98		
				V 152 S (PR-2B)	Mini Z8	574888 R	146,98		
				V 154 S (PR-2B)	Mini Z8	574890 R	146,98		
				V 156 S (PR-2B)	Mini Z8	574892 R	146,98		
				V 158 S (PR-2B)	Mini Z8	574894 R	146,98		
				V 160 S (PR-2B)	Mini Z8	574896 R	146,98		
				V 162 S (PR-2B)	Mini Z8	574898 R	146,98		
				V 164 S (PR-2B)	Mini Z8	574900 R	146,98		
				V 166 S (PR-2B)	Mini Z8	574902 R	146,98		
				V 168 S (PR-2B)	Mini Z8	574904 R	146,98		
				V 170 S (PR-2B)	Mini Z8	574906 R	146,98		
				V 172 S (PR-2B)	Mini Z8	574908 R	146,98		
				V 174 S (PR-2B)	Mini Z8	574910 R	146,98		
				V 176 S (PR-2B)	Mini Z8	574912 R	146,98		
				V 178 S (PR-2B)	Mini Z8	574914 R	146,98		
				V 180 S (PR-2B)	Mini Z8	574916 R	146,98		
				V 182 S (PR-2B)	Mini Z8	574918 R	146,98		
				V 184 S (PR-2B)	Mini Z8	574920 R	146,98		
				V 186 S (PR-2B)	Mini Z8	574922 R	146,98		
				V 188 S (PR-2B)	Mini Z8	574924 R	146,98		
				V 190 S (PR-2B)	Mini Z8	574926 R	146,98		
				V 192 S (PR-2B)	Mini Z8	574928 R	146,98		
				V 194 S (PR-2B)	Mini Z8	574930 R	146,98		
				V 196 S (PR-2B)	Mini Z8	574932 R	146,98		
				V 198 S (PR-2B)	Mini Z8	574934 R	146,98		
				V 200 S (PR-2B)	Mini Z8	574936 R	146,98		
				V 202 S (PR-2B)	Mini Z8	574938 R	146,98		
				V 204 S (PR-2B)	Mini Z8	574940 R	146,98		
				V 206 S (PR-2B)	Mini Z8	574942 R	146,98		
				V 208 S (PR-2B)	Mini Z8	574944 R	146,98		
				V 210 S (PR-2B)	Mini Z8	574946 R	146,98		
				V 212 S (PR-2B)	Mini Z8	574948 R	146,98		
				V 214 S (PR-2B)	Mini Z8	574950 R	146,98		
				V 216 S (PR-2B)	Mini Z8	574952 R	146,98		
				V 218 S (PR-2B)	Mini Z8	574954 R	146,98		
				V 220 S (PR-2B)	Mini Z8	574956 R	146,98		
				V 222 S (PR-2B)	Mini Z8	574958 R	146,98		
				V 224 S (PR-2B)	Mini Z8	574960 R	146,98		
				V 226 S (PR-2B)	Mini Z8	574962 R	146,98		
				V 228 S (PR-2B)	Mini Z8	574964 R	146,98		
				V 230 S (PR-2B)	Mini Z8	574966 R	146,98		
				V 232 S (PR-2B)	Mini Z8	574968 R	146,98		
				V 234 S (PR-2B)	Mini Z8	574970 R	146,98		
				V 236 S (PR-2B)	Mini Z8	574972 R	146,98		
				V 238 S (PR-2B)	Mini Z8	574974 R	146,98		
				V 240 S (PR-2B)	Mini Z8	574976 R	146,98		
				V 242 S (PR-2B)	Mini Z8	574978 R	146,98		
				V 244 S (PR-2B)	Mini Z8	574980 R	146,98		
				V 246 S (PR-2B)	Mini Z8	574982 R	146,98		
				V 248 S (PR-2B)	Mini Z8	574984 R	146,98		
				V 250 S (PR-2B)	Mini Z8	574986 R	146,98		
				V 252 S (PR-2B)	Mini Z8	574988 R	146,98		
				V 254 S (PR-2B)	Mini Z8	574990 R	146,98		
				V 256 S (PR-2B)	Mini Z8	574992 R	146,98		
				V 258 S (PR-2B)	Mini Z8	574994 R	146,98		
				V 260 S (PR-2B)	Mini Z8	574996 R	146,98		
				V 262 S (PR-2B)	Mini Z8	574998 R	146,98		
				V 264 S (PR-2B)	Mini Z8	575000 R	146,98		
				V 266 S (PR-2B)	Mini Z8	575002 R	146,98		
		</							

System	Pressing tongs Mini/pressing rings	Drive with adapter tongs	Art.-No.	€	
SANHA PURAPRESS Serie 8000	SA 12		578510	256,39	
	SA 14		578512	256,39	
	SA 15		578514	176,56	
	SA 16		578516	176,56	
	SA 18		578518	176,56	
	SA 22		578520	176,56	
	SA 28		578522	176,56	
	M 12 <sup>1)</sup>		578310	146,98	
	M 15 <sup>1)</sup>		578312	146,98	
	M 18 <sup>1)</sup>		578314	146,98	
	M 22 <sup>1)</sup>		578316	146,98	
	M 28 <sup>1)</sup>		578318	146,98	
	M 35 <sup>1)</sup>		578390	178,12	
	M 12 S (PR-2B)	Mini Z8	574736 R	124,51	
	M 15 S (PR-2B)	Mini Z8	574738 R	124,51	
	M 18 S (PR-2B)	Mini Z8	574740 R	124,51	
	M 22 S (PR-2B)	Mini Z8	574742 R	124,51	
	M 28 S (PR-2B)	Mini Z8	574744 R	124,51	
	M 35 S (PR-2B)	Mini Z8	574746 R	136,96	
	V 12		578324	146,98	
	V 14		578326	146,98	
	VG 14		578338	146,98	
	V 15 <sup>1)</sup>		578328	146,98	
	V 16		578330	146,98	
	VG 16		578340	146,98	
	V 18 <sup>1)</sup>		578332	146,98	
	V 22 <sup>1)</sup>		578334	146,98	
	V 28		578336	146,98	
	V 35		578604	178,12	
	V 12 S (PR-2B)	Mini Z8	574748 R	124,51	
	VG 14 S (PR-2B)	Mini Z8	574750 R	124,51	
	V 15 S (PR-2B)	Mini Z8	574752 R	124,51	
	VG 16 S (PR-2B)	Mini Z8	574754 R	124,51	
	V 18 S (PR-2B)	Mini Z8	574756 R	124,51	
	V 22 S (PR-2B)	Mini Z8	574758 R	124,51	
	V 28 S (PR-2B)	Mini Z8	574760 R	124,51	
	V 35 S (PR-2B)	Mini Z8	574762 R	136,96	
	SANHA-Therm Serie 24000	SA 12		578510	256,39
		SA 15		578514	176,56
		SA 18		578518	176,56
		SA 22		578520	176,56
SA 28			578522	176,56	
M 12			578310	146,98	
M 15 <sup>1)</sup>			578312	146,98	
M 18 <sup>1)</sup>			578314	146,98	
M 22 <sup>1)</sup>			578316	146,98	
M 28			578318	146,98	
M 35			578390	178,12	
M 12 S (PR-2B)		Mini Z8	574736 R	124,51	
M 15 S (PR-2B)		Mini Z8	574738 R	124,51	
M 18 S (PR-2B)		Mini Z8	574740 R	124,51	
M 22 S (PR-2B)		Mini Z8	574742 R	124,51	
M 28 S (PR-2B)		Mini Z8	574744 R	124,51	
M 35 S (PR-2B)		Mini Z8	574746 R	136,96	
V 12			578324	146,98	
V 15 <sup>1)</sup>			578328	146,98	
V 18 <sup>1)</sup>			578332	146,98	
V 22 <sup>1)</sup>			578334	146,98	
V 28			578336	146,98	
V 35			578604	178,12	
V 12 S (PR-2B)		Mini Z8	574748 R	124,51	
V 15 S (PR-2B)		Mini Z8	574752 R	124,51	
V 18 S (PR-2B)	Mini Z8	574756 R	124,51		
V 22 S (PR-2B)	Mini Z8	574758 R	124,51		
V 28 S (PR-2B)	Mini Z8	574760 R	124,51		
V 35 S (PR-2B)	Mini Z8	574762 R	136,96		
SANHA-Therm Industry Serie 28000	SA 12		578510	256,39	
	SA 15		578514	176,56	
	SA 18		578518	176,56	
	SA 22		578520	176,56	
	SA 28		578522	176,56	
	M 12		578310	146,98	
	M 15 <sup>1)</sup>		578312	146,98	
	M 18 <sup>1)</sup>		578314	146,98	
	M 22 <sup>1)</sup>		578316	146,98	
	M 28		578318	146,98	
	M 35		578390	178,12	
	M 12 S (PR-2B)	Mini Z8	574736 R	124,51	
	M 15 S (PR-2B)	Mini Z8	574738 R	124,51	
	M 18 S (PR-2B)	Mini Z8	574740 R	124,51	
	M 22 S (PR-2B)	Mini Z8	574742 R	124,51	
	M 28 S (PR-2B)	Mini Z8	574744 R	124,51	
	M 35 S (PR-2B)	Mini Z8	574746 R	136,96	
	V 12		578324	146,98	
	V 15 <sup>1)</sup>		578328	146,98	
	V 18 <sup>1)</sup>		578332	146,98	
	V 22 <sup>1)</sup>		578334	146,98	
	V 28		578336	146,98	
	V 35		578604	178,12	
	V 12 S (PR-2B)	Mini Z8	574748 R	124,51	
	V 15 S (PR-2B)	Mini Z8	574752 R	124,51	
V 18 S (PR-2B)	Mini Z8	574756 R	124,51		
V 22 S (PR-2B)	Mini Z8	574758 R	124,51		
V 28 S (PR-2B)	Mini Z8	574760 R	124,51		
V 35 S (PR-2B)	Mini Z8	574762 R	136,96		

System	Pressing tongs Mini/pressing rings	Drive with adapter tongs	Art.-No.	€		
SANITOP	M 15		578312	146,98		
	PERMATUBO INOX	M 18		578314	146,98	
		M 22		578316	146,98	
		M 28		578318	146,98	
		M 35		578390	178,12	
		M 15 S (PR-2B)	Mini Z8	574738 R	124,51	
		M 18 S (PR-2B)	Mini Z8	574740 R	124,51	
		M 22 S (PR-2B)	Mini Z8	574742 R	124,51	
		M 28 S (PR-2B)	Mini Z8	574744 R	124,51	
		M 35 S (PR-2B)	Mini Z8	574746 R	136,96	
	SANPRO	TH 16		578352 R	177,08	
		THPRESS	TH 20		578358 R	177,08
			TH 26		578362 R	177,08
		TH 32		578364	177,08	
	TH 16 S (PR-2B)**	Mini Z8	574782 R	124,51		
	TH 20 S (PR-2B)**	Mini Z8	574788 R	124,51		
	TH 26 S (PR-2B)**	Mini Z8	574794 R	124,51		
	TH 32 S (PR-2B)	Mini Z8	574798 R	136,96		
SATEC SK ViTerm	TH 16		578352 R	177,08		
	TH 18		578356	177,08		
	TH 20		578358 R	177,08		
	TH 26		578362 R	177,08		
	TH 32		578364	177,08		
	U 40		578386	236,66		
SAVEUR REFLEX	TH 16		578352 R	177,08		
	PEX Water	TH 20	578358 R	177,08		
	TH 25		578360	177,08		
	TH 32		578364	177,08		
SAVEUR REFLEX	TH 16		578352 R	177,08		
	PEX-AL-PEX	TH 20	578358 R	177,08		
Gas	TH 25		578360	177,08		
	TH 32		578364	177,08		
Schütz	TH 14		578348	177,08		
	duo-flex	TH 16	578352 R	177,08		
tri-o-flex	TH 17		578354	177,08		
	TH 20		578358 R	177,08		
	TH 25		578360	177,08		
	TH 16 S (PR-2B)**	Mini Z8	574782 R	124,51		
	TH 20 S (PR-2B)**	Mini Z8	574788 R	124,51		
Schwer Fittings	M 12		578310	146,98		
	AQUApress	M 15	578312	146,98		
	M 18		578314	146,98		
	M 22		578316	146,98		
	M 28		578318	146,98		
	M 35		578390	178,12		
	M 12 S (PR-2B)	Mini Z8	574736 R	124,51		
	M 15 S (PR-2B)	Mini Z8	574738 R	124,51		
	M 18 S (PR-2B)	Mini Z8	574740 R	124,51		
	M 22 S (PR-2B)	Mini Z8	574742 R	124,51		
	M 28 S (PR-2B)	Mini Z8	574744 R	124,51		
	M 35 S (PR-2B)	Mini Z8	574746 R	136,96		
Seppelfricke	> Aalberts integrated piping systems					
	SESTA	TH 14		578348	177,08	
		SESTA GAS	TH 16	578352 R	177,08	
		TH 20		578358 R	177,08	
		TH 26		578362 R	177,08	
		TH 32		578364	177,08	
	SESTA	H 16		578400	159,75	
	sistema	H 20		578406	159,75	
	multistrato	TH 14		578348	177,08	
		TH 16		578352 R	177,08	
		TH 18		578356	177,08	
		TH 20		578358 R	177,08	
TH 26			578362 R	177,08		
	TH 32		578364	177,08		
	TH 40		578624	234,69		
	U 16		578374	165,66		
	U 20		578378	165,66		
SIGMA LI	TH 16		578352 R	177,08		
	Premium	TH 20	578358 R	177,08		
	TH 25		578360	177,08		
	TH 32		578364	177,08		
		TH 16 S (PR-2B)**	Mini Z8	574782 R	124,51	
		TH 20 S (PR-2B)**	Mini Z8	574788 R	124,51	
		TH 25 S (PR-2B)**	Mini Z8	574792 R	124,51	
		TH 32 S (PR-2B)	Mini Z8	574798 R	136,96	
		U 16		578374	165,66	
		U 20		578378	165,66	
SLOVARM	U 25		578380	165,66		
	U 32		578382	194,31		
	U 16		578374	165,66		
	PEX-THERM	U 20		578378	165,66	
		H 26		578410	159,75	
		U 32		578382	194,31	
		H 16		578400	159,75	
		H 20		578406	159,75	
		H 26		578410	159,75	
	H 32		578412	159,75		

System	Pressing tongs Mini/pressing rings	Drive with adapter tongs	Art.-No.	€	
STANDARD HIDRAULICA MultiStandard	H 16		578400	159,75	
	H 20		578406	159,75	
	H 25		578408	159,75	
	H 32		578412	159,75	
	RFz 16		578492	184,45	
	RFz 20		578494	184,45	
	RFz 25		578496	184,45	
	RFz 32		578498	184,45	
	TH 16		578352 R	177,08	
	TH 20		578358 R	177,08	
	TH 25		578360	177,08	
	TH 32		578364	177,08	
	TH 16 S (PR-2B)**	Mini Z8	574782 R	124,51	
	TH 20 S (PR-2B)**	Mini Z8	574788 R	124,51	
	TH 25 S (PR-2B)**	Mini Z8	574792 R	124,51	
	TH 32 S (PR-2B)**	Mini Z8	574798 R	136,96	
	U 16		578374	165,66	
	U 18		578376	165,66	
	U 20		578378	165,66	
	U 25		578380	165,66	
	U 32		578382	194,31	
	U 40		578386	236,66	
	steeltrade Presssystem Edelstahl Kontur M	M 15		578312	146,98
		M 18 <sup>1)</sup>		578314	146,98
		M 22		578316	146,98
M 28 <sup>1)</sup>			578318	146,98	
M 35			578390	178,12	
M 15 S (PR-2B)		Mini Z8	574738 R	124,51	
M 18 S (PR-2B)		Mini Z8	574740 R	124,51	
M 22 S (PR-2B)		Mini Z8	574742 R	124,51	
M 28 S (PR-2B)		Mini Z8	574744 R	124,51	
M 35 S (PR-2B)		Mini Z8	574746 R	136,96	
STELBI Polikraft	H 16		578400	159,75	
	H 20		578406	159,75	
	H 26		578410	159,75	
	TH 16		578352 R	177,08	
	TH 20		578358 R	177,08	
	TH 26		578362 R	177,08	
	TH 32		578364	177,08	
	TH 40		578624	234,69	
	TH 16 S (PR-2B)**	Mini Z8	574782 R	124,51	
	TH 20 S (PR-2B)**	Mini Z8	574788 R	124,51	
	TH 26 S (PR-2B)**	Mini Z8	574794 R	124,51	
	TH 32 S (PR-2B)	Mini Z8	574798 R	136,96	
	U 16		578374	165,66	
	U 20		578378	165,66	
	U 26 <sup>7)</sup>		578392	194,31	
	STELBI Stelgas	TH 16		578352 R	177,08
		TH 20		578358 R	177,08
TH 26			578362 R	177,08	
TH 16 S (PR-2B)**		Mini Z8	574782 R	124,51	
TH 20 S (PR-2B)**		Mini Z8	574788 R	124,51	
TH 26 S (PR-2B)**	Mini Z8	574794 R	124,51		
STH Westco COPPER PRESS	M 15		578312	146,98	
	M 22		578316	146,98	
	M 28		578318	146,98	
	M 35		578390	178,12	
	M 15 S (PR-2B)	Mini Z8	574738 R	124,51	
	M 22 S (PR-2B)	Mini Z8	574742 R	124,51	
	M 28 S (PR-2B)	Mini Z8	574744 R	124,51	
M 35 S (PR-2B)	Mini Z8	574746 R	136,96		
<b>T</b>					
TDM BRASS Serie 1600	H 16		578400	159,75	
	H 18		578404	159,75	
	H 20		578406	159,75	
	H 25		578408	159,75	
	H 26		578410	159,75	
	H 32		578412	159,75	
	TH 16		578352 R	177,08	
	TH 18		578356	177,08	
	TH 20		578358 R	177,08	
	TH 25		578360	177,08	
	TH 26		578362 R	177,08	
	THL 32		578368	177,08	
	TH 40		578624	234,69	
	TH 16 S (PR-2B)**	Mini Z8	574782 R	124,51	
	TH 18 S (PR-2B)**	Mini Z8	574786 R	124,51	
	TH 20 S (PR-2B)**	Mini Z8	574788 R	124,51	
	TH 25 S (PR-2B)**	Mini Z8	574792 R	124,51	
	TH 26 S (PR-2B)**	Mini Z8	574794 R	124,51	
	U 16		578374	165,66	
	U 18		578376	165,66	
	U 20		578378	165,66	
	U 25		578380	165,66	
	U 26 <sup>7)</sup>		578392	194,31	
	U 32		578382	194,31	

System	Pressing tongs Mini/pressing rings	Drive with adapter tongs	Art.-No.	€	
TDM BRASS Serie 2600	H 16		578400	159,75	
	H 18		578404	159,75	
	H 20		578406	159,75	
	H 25		578408	159,75	
	H 26		578410	159,75	
	H 32		578412	159,75	
	TH 16		578352 R	177,08	
	TH 18		578356	177,08	
	TH 20		578358 R	177,08	
	TH 25		578360	177,08	
	TH 26		578362 R	177,08	
	THL 32		578368	177,08	
	TH 16 S (PR-2B)**	Mini Z8	574782 R	124,51	
	TH 18 S (PR-2B)**	Mini Z8	574786 R	124,51	
	TH 20 S (PR-2B)**	Mini Z8	574788 R	124,51	
	TH 25 S (PR-2B)**	Mini Z8	574792 R	124,51	
	TH 26 S (PR-2B)**	Mini Z8	574794 R	124,51	
	U 16		578374	165,66	
	U 18		578376	165,66	
	U 20		578378	165,66	
	U 25		578380	165,66	
	U 26 <sup>7)</sup>		578392	194,31	
	U 32		578382	194,31	
	TDM BRASS Serie 1700 gas	TH 16		578352 R	177,08
		TH 20		578358 R	177,08
TH 26			578362 R	177,08	
THL 32			578368	177,08	
TH 16 S (PR-2B)**		Mini Z8	574782 R	124,51	
TH 20 S (PR-2B)**		Mini Z8	574788 R	124,51	
TH 26 S (PR-2B)**		Mini Z8	574794 R	124,51	
TermoConcept TC-PRESS	Basic E01 <sup>2)</sup>		578618	305,17	
THERMOLUTZ	H 14		578398	159,75	
	H 16		578400	159,75	
	TH 20		578358 R	177,08	
	TH 20 S (PR-2B)**	Mini Z8	574788 R	124,51	
TE-SA TE-SA press serie 800	TH 14		578348	177,08	
	TH 16		578352 R	177,08	
THERMACOME ACOPEXALU	TH 18		578356	177,08	
	TH 20		578358 R	177,08	
	TH 26		578362 R	177,08	
	TH 32		578364	177,08	
	TH 40		578624	234,69	
	TH 14 S (PR-2B)**	Mini Z8	574778 R	124,51	
	TH 16 S (PR-2B)**	Mini Z8	574782 R	124,51	
	TH 18 S (PR-2B)**	Mini Z8	574786 R	124,51	
	TH 20 S (PR-2B)**	Mini Z8	574788 R	124,51	
	TH 26 S (PR-2B)**	Mini Z8	574794 R	124,51	
	TH 32 S (PR-2B)	Mini Z8	574798 R	136,96	
	H 16		578400	159,75	
	H 20		578406	159,75	
H 26		578410	159,75		
H 32		578412	159,75		
TH 16		578352 R	177,08		
TH 20		578358 R	177,08		
TH 26		578362 R	177,08		
TH 32		578364	177,08		
U 16		578374	165,66		
U 20		578378	165,66		
U 32		578382	194,31		
TIEMME 1650 AL-COBRAPEX	TH 14		578348	177,08	
	TH 16		578352 R	177,08	
	TH 18		578356	177,08	
	TH 20		578358 R	177,08	
	TH 25		578360	177,08	
	TH 26		578362 R	177,08	
	THL 32		578368	177,08	
	TH 40		578624	234,69	
	TH 14 S (PR-2B)**	Mini Z8	574778 R	124,51	
	TH 16 S (PR-2B)**	Mini Z8	574782 R	124,51	
	TH 18 S (PR-2B)**	Mini Z8	574786 R	124,51	
	TH 20 S (PR-2B)**	Mini Z8	574788 R	124,51	
TH 25 S (PR-2B)**	Mini Z8	574792 R	124,51		
TH 26 S (PR-2B)**	Mini Z8	574794 R	124,51		
TIEMME 1700 COBRAPEX	RFz 12		578490	184,45	
	RFz 16		578492	184,45	
	RFz 20		578494	184,45	
	RFz 25		578496	184,45	
	RFz 32		578498	184,45	
	TH 40		578624	234,69	

Pressfitting systems for gas installations may only be pressed with the pressing tongs Mini which are highlighted in yellow in the table.

Observe the national regulations. Read and observe the system provider's/manufacturer's instructions for use and assembly instructions.

\*\* Can also be driven by the ROLLER'S Easy-Press manual radial press using the Z8 adapter tongs, see page 90. Observe the national regulations.

<sup>1)</sup> Only pressing tongs from designation "108" (1<sup>st</sup> quarter of 2008), "208" (2<sup>nd</sup> quarter of 2008) etc. can be used. The designation is stamped on every pressing jaw.

<sup>2)</sup> For accommodating suitable pressing inserts.

<sup>3)</sup> Only pressing tongs from designation "117" (1<sup>st</sup> quarter of 201), "217" (2<sup>nd</sup> quarter of 2017) etc. can be used. The designation is stamped on every pressing jaw.

<sup>4)</sup> For pipes with the EN technical standard. Observe the system provider's/manufacturer's instructions for use.

<sup>5)</sup> Only use Mini pressing tongs identified by "VMP 1/2" G" on the pressing jaws for gas installations.

<sup>7)</sup> Previous designation: Mini C 26 pressing tongs

<sup>9)</sup> For pipes with the ASTM technical standard. Observe the system provider's/manufacturer's instructions for use.

Suitability of the ROLLER'S pressing tools for pressfitting systems: Status 27.10.2023. The current status can be found on the Internet:

www.albert-roller.de → Downloads → Product Catalogues, Brochures → ROLLER Catalogue.

See page 79 for adapter tongs. Pressing tongs/pressing rings for other press fitting systems on request.

System	Pressing tongs Mini/pressing rings	Drive with adapter tongs	Art.-No.	€
TIEMME	TH 16		578352 R	177,08
1650 AL-COBRAPEX	TH 20		578358 R	177,08
GAS	TH 26		578362 R	177,08
	THL 32		578368	177,08
	TH 16 S (PR-2B)**	Mini Z8	574782 R	124,51
	TH 20 S (PR-2B)**	Mini Z8	574788 R	124,51
	TH 26 S (PR-2B)**	Mini Z8	574794 R	124,51
TIGRE	TH 16		578352 R	177,08
ALPEX GAS	TH 20		578358 R	177,08
	TH 26		578362 R	177,08
	TH 32		578364	177,08
TKM	TH 14		578348	177,08
Systemtechnik	TH 16		578352 R	177,08
	TH 20		578358 R	177,08
	TH 26		578362 R	177,08
	TH 32		578364	177,08
	TH 40		578624	234,69
TRA Multi TRA+	H 16		578400	159,75
	H 20		578406	159,75
	H 25		578408	159,75
	H 26		578410	159,75
	H 32		578412	159,75
	TH 16		578352 R	177,08
	TH 20		578358 R	177,08
	TH 25		578360	177,08
	TH 26		578362 R	177,08
	TH 32		578364	177,08
	TH 40		578624	234,69
	TH 16 S (PR-2B)**	Mini Z8	574782 R	124,51
	TH 20 S (PR-2B)**	Mini Z8	574788 R	124,51
	TH 25 S (PR-2B)**	Mini Z8	574792 R	124,51
	TH 26 S (PR-2B)**	Mini Z8	574794 R	124,51
	TH 32 S (PR-2B)	Mini Z8	574798 R	136,96
	U 16		578374	165,66
	U 20		578378	165,66
	U 25		578380	165,66
	U 26 <sup>7)</sup>		578392	194,31
	U 32		578382	194,31
	U 40		578386	236,66
TRAMULTITRAPRESS	U 16		578374	165,66
	U 18		578376	165,66
	U 20		578378	165,66
	U 25		578380	165,66
	U 32		578382	194,31
	U 40		578386	236,66
TRA TRAPRESS	H 12		578396	159,75
	H 16		578400	159,75
	H 20		578406	159,75
	H 25		578408	159,75
	H 32		578412	159,75
	RFz 12		578490	184,45
	RFz 16		578492	184,45
	RFz 20		578494	184,45
	RFz 25		578496	184,45
	RFz 32		578498	184,45
Tradelink	K16/P18		578592	184,45
TradePex Crimp	K20		578594	184,45
Water	K25		578596	184,45
	K32		578598	184,45
	K1/40		578600	184,45
Tradelink	K16/P18		578592	184,45
TradePex Crimp	K20		578594	184,45
Gas	K25		578596	184,45
	K32		578598	184,45
	K1/40		578600	184,45
TUBIPLAST ITALY	H 16		578400	159,75
MULTILAYER PIPE	H 18		578404	159,75
	H 20		578406	159,75
	H 26		578410	159,75
	H 32		578412	159,75
	TH 16		578352 R	177,08
	TH 18		578356	177,08
	TH 20		578358 R	177,08
	TH 26		578362 R	177,08
	TH 32		578364	177,08
	TH 40		578624	234,69
	TH 16 S (PR-2B)**	Mini Z8	574782 R	124,51
	TH 18 S (PR-2B)**	Mini Z8	574786 R	124,51
	TH 20 S (PR-2B)**	Mini Z8	574788 R	124,51
	TH 26 S (PR-2B)**	Mini Z8	574794 R	124,51
	TH 32 S (PR-2B)	Mini Z8	574798 R	136,96
	U 16		578374	165,66
	U 18		578376	165,66
	U 20		578378	165,66
	U 26 <sup>7)</sup>		578392	194,31
	U 32		578382	194,31
TUBIPLAST ITALY	TH 16		578352 R	177,08
MULTILAYER PIPE	TH 18		578356	177,08
GAS SYSTEM	TH 20		578358 R	177,08
	TH 26		578362 R	177,08
	TH 32		578364	177,08
	TH 16 S (PR-2B)**	Mini Z8	574782 R	124,51
	TH 18 S (PR-2B)**	Mini Z8	574786 R	124,51
	TH 20 S (PR-2B)**	Mini Z8	574788 R	124,51
	TH 26 S (PR-2B)**	Mini Z8	574794 R	124,51
	TH 32 S (PR-2B)	Mini Z8	574798 R	136,96

System	Pressing tongs Mini/pressing rings	Drive with adapter tongs	Art.-No.	€
TWEETOP	U 16		578374	165,66
	U 20		578378	165,66
	U 25		578380	165,66
	U 32		578382	194,31
	U 40		578386	236,66
<b>U</b>				
UNICALAG	U 16		578374	165,66
MAX-MULTIPEX	U 20		578378	165,66
	H 26		578410	159,75
	U 26 <sup>7)</sup>		578392	194,31
	U 32		578382	194,31
UNIDELTA	TH 16		578352 R	177,08
DELTAPRESS	TH 20		578358 R	177,08
	TH 26		578362 R	177,08
	TH 32		578364	177,08
	TH 40		578624	234,69
	TH 16 S (PR-2B)**	Mini Z8	574782 R	124,51
	TH 20 S (PR-2B)**	Mini Z8	574788 R	124,51
	TH 26 S (PR-2B)**	Mini Z8	574794 R	124,51
	TH 32 S (PR-2B)	Mini Z8	574798 R	136,96
	H 16		578400	159,75
	H 20		578406	159,75
	H 26		578410	159,75
	H 32		578412	159,75
	U 16		578374	165,66
	U 20		578378	165,66
	U 32		578382	194,31
	U 40		578386	236,66
UNIDELTA	TH 16		578352 R	177,08
DELTAPRESS GAS	TH 20		578358 R	177,08
	TH 26		578362 R	177,08
	TH 32		578364	177,08
	TH 16 S (PR-2B)**	Mini Z8	574782 R	124,51
	TH 20 S (PR-2B)**	Mini Z8	574788 R	124,51
	TH 26 S (PR-2B)**	Mini Z8	574794 R	124,51
	TH 32 S (PR-2B)	Mini Z8	574798 R	136,96
	H 16		578400	159,75
	H 20		578406	159,75
	H 26		578410	159,75
	H 32		578412	159,75
	U 16		578374	165,66
	U 20		578378	165,66
	U 32		578382	194,31
Uponor	UP 14		578576	165,66
	UP 16		578578	165,66
	UP 20		578582	165,66
	UP 25		578584	165,66
	UP 32		578586	194,31
	U 40		578386	236,66
<b>V</b>				
Valsir Bravopress	B 16		578468	193,28
	B 20		578472	193,28
	B 26		578474	213,00
	B 32		578476	213,00
	F 16		578456	168,68
	F 20		578460	168,68
	F 26		578462	182,48
	F 16 S (PR-2B)**	Mini Z8	574728 R	124,51
	F 20 S (PR-2B)**	Mini Z8	574730 R	124,51
	F 26 S (PR-2B)**	Mini Z8	574732 R	124,51
	H 16		578400	159,75
	H 20		578406	159,75
	H 26		578410	159,75
	H 32		578412	159,75
	H 32 V		578602	204,17
	TH 16		578352 R	177,08
	TH 20		578358 R	177,08
	TH 26		578362 R	177,08
	TH 32		578364	177,08
	U 16		578374	165,66
	U 20		578378	165,66
	U 26 <sup>7)</sup>		578392	194,31
	U 32		578382	194,31
Valsir PEXAL	H 14		578398	159,75
	H 16		578400	159,75
	H 20		578406	159,75
	H 26		578410	159,75
	H 32		578412	159,75
	H 32 V		578602	204,17
	TH 16		578352 R	177,08
	TH 20		578358 R	177,08
	TH 26		578362 R	177,08
	TH 32		578364	177,08
	U 16		578374	165,66
	U 20		578378	165,66
	U 26 <sup>7)</sup>		578392	194,31
	U 32		578382	194,31

System	Pressing tongs Mini/pressing rings	Drive with adapter tongs	Art.-No.	€	System	Pressing tongs Mini/pressing rings	Drive with adapter tongs	Art.-No.	€
Van Marcke NV	TH 16		578352 R	177,08	Viega MegaPress 316	VMP ½" G (OD 21,3 mm)		578666 R	204,17
SYSTEMPEX	TH 20		578358 R	177,08	FKM	VMPz ¾" (OD 26,9 mm)		578664	204,17
	TH 26		578362 R	177,08	(ASTM) <sup>9)</sup>				182,50
	TH 32		578364	177,08	Viega MegaPress CuNi	VMP ½" G (OD 21,3 mm)		578666 R	204,17
	TH 40		578624	234,69	(ASTM) <sup>9)</sup>	VMPz ¾" (OD 26,9 mm)		578664	204,17
	TH 16 S (PR-2B)**	Mini Z8	574782 R	124,51	Viega MegaPress FKM	VMP ½" G (OD 21,3 mm)		578666 R	204,17
	TH 20 S (PR-2B)**	Mini Z8	574788 R	124,51	(ASTM) <sup>9)</sup>	VMPz ¾" (OD 26,9 mm)		578664	204,17
	TH 26 S (PR-2B)**	Mini Z8	574794 R	124,51	Viega MegaPresG	VMP ½" G (OD 21,3 mm)		578666 R	204,17
	TH 32 S (PR-2B)	Mini Z8	574798 R	136,96	(ASTM) <sup>9)</sup>	VMPz ¾" (OD 26,9 mm)		578664	204,17
Van Marcke NV	M 12		578310	146,98	Viega Megapress	VMP ¾" (OD 17,2 mm)		578660	204,17
Tubipress	M 15		578312	146,98	(EN) <sup>4)</sup>	VMP ½" G (OD 21,3 mm)		578666 R	204,17
	M 18		578314	146,98	VMPz ¾" (OD 26,9 mm)		578664	204,17	
	M 22		578316	146,98	Viega MegapressS	VMP ¾" (OD 17,2 mm)		578660	204,17
	M 28		578318	146,98	(EN) <sup>4)</sup>	VMP ½" G (OD 21,3 mm)		578666 R	204,17
	M 35		578390	178,12	VMPz ¾" (OD 26,9 mm)		578664	204,17	
	M 12 S (PR-2B)	Mini Z8	574736 R	124,51	Viega Pexfit	VX 16		578552	204,17
	M 15 S (PR-2B)	Mini Z8	574738 R	124,51		VX 20		578554	204,17
	M 18 S (PR-2B)	Mini Z8	574740 R	124,51		VX 25		578556	204,17
	M 22 S (PR-2B)	Mini Z8	574742 R	124,51	Viega Pexfit G	VX 16		578552	204,17
	M 28 S (PR-2B)	Mini Z8	574744 R	124,51		VX 20		578554	204,17
	M 35 S (PR-2B)	Mini Z8	574746 R	136,96		VX 25		578556	204,17
Variotherm	TH 11,6		578344	177,08	Viega Prestabo	V 12		578324	146,98
System TH	TH 16		578352 R	177,08		V 15		578328	146,98
	TH 20		578358 R	177,08		V 18		578332	146,98
	TH 16 S (PR-2B)**	Mini Z8	574782 R	124,51		V 22		578334	146,98
	TH 20 S (PR-2B)**	Mini Z8	574788 R	124,51		V 28		578336	146,98
VESBO	M 15		578312	146,98		V 12 S (PR-2B)	Mini Z8	574748 R	124,51
CARBON	M 18		578314	146,98		V 15 S (PR-2B)	Mini Z8	574752 R	124,51
	M 22		578316	146,98		V 18 S (PR-2B)	Mini Z8	574756 R	124,51
	M 28		578318	146,98		V 22 S (PR-2B)	Mini Z8	574758 R	124,51
	M 35		578390	178,12		V 28 S (PR-2B)	Mini Z8	574760 R	124,51
	M 15 S (PR-2B)	Mini Z8	574738 R	124,51	Viega Profipress	V 12		578324	146,98
	M 18 S (PR-2B)	Mini Z8	574740 R	124,51		VG 14		578338	146,98
	M 22 S (PR-2B)	Mini Z8	574742 R	124,51		V 15		578328	146,98
	M 28 S (PR-2B)	Mini Z8	574744 R	124,51		VG 16		578340	146,98
	M 35 S (PR-2B)	Mini Z8	574746 R	136,96		V 18		578332	146,98
VESBO	M 15		578312	146,98		V 22		578334	146,98
INOX	M 18		578314	146,98		V 28		578336	146,98
	M 22		578316	146,98		V 35		578604	178,12
	M 28		578318	146,98		V 12 S (PR-2B)	Mini Z8	574748 R	124,51
	M 35		578390	178,12		VG 14 S (PR-2B)	Mini Z8	574750 R	124,51
	M 15 S (PR-2B)	Mini Z8	574738 R	124,51		V 15 S (PR-2B)	Mini Z8	574752 R	124,51
	M 18 S (PR-2B)	Mini Z8	574740 R	124,51		VG 16 S (PR-2B)	Mini Z8	574754 R	124,51
	M 22 S (PR-2B)	Mini Z8	574742 R	124,51		V 18 S (PR-2B)	Mini Z8	574756 R	124,51
	M 28 S (PR-2B)	Mini Z8	574744 R	124,51		V 22 S (PR-2B)	Mini Z8	574758 R	124,51
	M 35 S (PR-2B)	Mini Z8	574746 R	136,96		V 28 S (PR-2B)	Mini Z8	574760 R	124,51
VESBO	TH 16		578352 R	177,08		V 35 S (PR-2B)	Mini Z8	574762 R	136,96
MULTIPRESS TH-U	TH 20		578358 R	177,08	Viega Profipress G	V 12		578324	146,98
	TH 26		578362 R	177,08		VG 14		578338	146,98
	TH 32		578364	177,08		V 15		578328	146,98
	TH 16 S (PR-2B)**	Mini Z8	574782 R	124,51		VG 16		578340	146,98
	TH 20 S (PR-2B)**	Mini Z8	574788 R	124,51		V 18		578332	146,98
	TH 26 S (PR-2B)**	Mini Z8	574794 R	124,51		V 22		578334	146,98
	TH 32 S (PR-2B)	Mini Z8	574798 R	136,96		V 28		578336	146,98
	U 16		578374	165,66		V 35		578604	178,12
	U 20		578378	165,66		V 12 S (PR-2B)	Mini Z8	574748 R	124,51
	U 26 <sup>7)</sup>		578392	194,31		VG 14 S (PR-2B)	Mini Z8	574750 R	124,51
	U 32		578382	194,31		V 15 S (PR-2B)	Mini Z8	574752 R	124,51
VESBO	U 16		578374	165,66		VG 16 S (PR-2B)	Mini Z8	574754 R	124,51
VPREMIUM	U 20		578378	165,66		V 18 S (PR-2B)	Mini Z8	574756 R	124,51
	U 25		578380	165,66		V 22 S (PR-2B)	Mini Z8	574758 R	124,51
	U 32		578382	194,31		V 28 S (PR-2B)	Mini Z8	574760 R	124,51
	U 40		578386	236,66		V 35 S (PR-2B)	Mini Z8	574762 R	136,96
Viega Fonterra	VX 12		578550	204,17	Viega Profipress S	V 12		578324	146,98
	VP 14/15		578480	176,56		V 15		578328	146,98
	VP 16/17		578482	176,56		V 18		578332	146,98
	VP 20		578484	176,56		V 22		578334	146,98
	VP 25		578486	176,56		V 28		578336	146,98
Viega MegaPress	VMP ½" G (OD 21,3 mm)		578666 R	204,17		V 35		578604	178,12
(ASTM) <sup>9)</sup>	VMPz ¾" (OD 26,9 mm)		578664	204,17		V 12 S (PR-2B)	Mini Z8	574748 R	124,51
Viega MegaPress 304	VMP ½" G (OD 21,3 mm)		578666 R	204,17		V 15 S (PR-2B)	Mini Z8	574752 R	124,51
FKM	VMPz ¾" (OD 26,9 mm)		578664	204,17		V 18 S (PR-2B)	Mini Z8	574756 R	124,51
(ASTM) <sup>9)</sup>				182,50		V 22 S (PR-2B)	Mini Z8	574758 R	124,51
Viega MegaPress 316	VMP ½" G (OD 21,3 mm)		578666 R	204,17		V 28 S (PR-2B)	Mini Z8	574760 R	124,51
(ASTM) <sup>9)</sup>	VMPz ¾" (OD 26,9 mm)		578664	204,17		V 35 S (PR-2B)	Mini Z8	574762 R	136,96

Pressfitting systems for gas installations may only be pressed with the pressing tongs Mini which are highlighted in yellow in the table.

Observe the national regulations. Read and observe the system provider's/manufacturer's instructions for use and assembly instructions.

\*\* Can also be driven by the ROLLER'S Easy-Press manual radial press using the Z8 adapter tongs, see page 90. Observe the national regulations.

<sup>1)</sup> Only pressing tongs from designation "108" (1<sup>st</sup> quarter of 2008), "208" (2<sup>nd</sup> quarter of 2008) etc. can be used. The designation is stamped on every pressing jaw.

<sup>2)</sup> For accommodating suitable pressing inserts.

<sup>3)</sup> Only pressing tongs from designation "117" (1<sup>st</sup> quarter of 201), "217" (2<sup>nd</sup> quarter of 2017) etc. can be used. The designation is stamped on every pressing jaw.

<sup>4)</sup> For pipes with the EN technical standard. Observe the system provider's/manufacturer's instructions for use.

<sup>5)</sup> Only use Mini pressing tongs identified by "VMP ½" G" on the pressing jaws for gas installations.

<sup>7)</sup> Previous designation: Mini C 26 pressing tongs

<sup>9)</sup> For pipes with the ASTM technical standard. Observe the system provider's/manufacturer's instructions for use.

Suitability of the ROLLER'S pressing tools for pressfitting systems: Status 27.10.2023. The current status can be found on the Internet:

www.albert-roller.de → Downloads → Product Catalogues, Brochures → ROLLER Catalogue.

See page 79 for adapter tongs. Pressing tongs/pressing rings for other press fitting systems on request.

**ROLLER'S pressing tongs Mini / pressing rings**

Accessory for ROLLER'S 22kN radial presses

System	Pressing tongs Mini/pressing rings	Drive with adapter tongs	Art.-No.	€
Viega	V 12		578324	146,98
Profipress Therm	V 15		578328	146,98
	V 18		578332	146,98
	V 22		578334	146,98
	V 12 S (PR-2B)	Mini Z8	574748 R	124,51
	V 15 S (PR-2B)	Mini Z8	574752 R	124,51
	V 18 S (PR-2B)	Mini Z8	574756 R	124,51
	V 22 S (PR-2B)	Mini Z8	574758 R	124,51
Viega ProPress (ASTM) <sup>9)</sup>	VUS ½" (OD 15,9 mm)		578566	177,50
	VUS ¾" (OD 22,2 mm)		578568	177,50
	VUS 1" (OD 28,6 mm)		578570	177,50
	VUS 1½" (OD 34,9 mm)		578606	177,50
	VUS ½" S (PR-2B) (OD 15,9 mm)	Mini Z8	574764 R	124,51
	VUS ¾" S (PR-2B) (OD 22,2 mm)	Mini Z8	574766 R	124,51
	VUS 1" S (PR-2B) (OD 28,6 mm)	Mini Z8	574768 R	124,51
	VUS 1½" S (PR-2B) (OD 34,9 mm)	Mini Z8	574770 R	124,51
Viega ProPress 304 FKM (ASTM) <sup>9)</sup>	VUS ½" (OD 15,9 mm)		578566	177,50
	VUS ¾" (OD 22,2 mm)		578568	177,50
	VUS 1" (OD 28,6 mm)		578570	177,50
	VUS 1½" (OD 34,9 mm)		578606	177,50
Viega ProPress 316 (ASTM) <sup>9)</sup>	VUS ½" (OD 15,9 mm)		578566	177,50
	VUS ¾" (OD 22,2 mm)		578568	177,50
	VUS 1" (OD 28,6 mm)		578570	177,50
	VUS 1½" (OD 34,9 mm)		578606	177,50
Viega Propress WATER System AUS	VAU 15 (OD 12,7 mm)		578630	151,86
	VAU 20 (OD 19,1 mm)		578632	151,86
	VAU 25 (OD 25,4 mm)		578634	151,86
	VAU 32 (OD 31,8 mm)		578636	159,75
	VAU 15 S (PR-2B) (OD 12,7 mm)	Mini Z8	574804 R	124,51
	VAU 20 S (PR-2B)** (OD 19,1 mm)	Mini Z8	574806 R	124,51
	VAU 25 S (PR-2B)** (OD 25,4 mm)	Mini Z8	574808 R	136,96
	VAU 32 S (PR-2B) (OD 31,8 mm)	Mini Z8	574856 R	136,96
Viega PropressG GAS System AUS	VAU 15 (OD 12,7 mm)		578630	151,86
	VAU 20 (OD 19,1 mm)		578632	151,86
	VAU 25 (OD 25,4 mm)		578634	151,86
	VAU 32 (OD 31,8 mm)		578636	159,75
Viega Raxinox	VRX 16		578640	186,42
	VRX 20		578642	186,42
Viega Raxofix	VRX 16		578640	186,42
	VRX 20		578642	186,42
	VRX 25		578644	204,17
	VRX 32		578646	204,17
Viega Sanfix	VP 16/17		578482	176,56
	VP 20		578484	176,56
	VP 25		578486	176,56
	VP 32		578488	195,25
Viega Sanfix Fosta	VP 16/17		578482	176,56
	VP 20		578484	176,56
	VP 25		578486	176,56
	VP 32		578488	195,25
Viega Sanpress	V 12		578324	146,98
	V 15		578328	146,98
	V 18		578332	146,98
	V 22		578334	146,98
	V 28		578336	146,98
	V 35		578604	178,12
	V 12 S (PR-2B)	Mini Z8	574748 R	124,51
	V 15 S (PR-2B)	Mini Z8	574752 R	124,51
	V 18 S (PR-2B)	Mini Z8	574756 R	124,51
	V 22 S (PR-2B)	Mini Z8	574758 R	124,51
	V 28 S (PR-2B)	Mini Z8	574760 R	124,51
	V 35 S (PR-2B)	Mini Z8	574762 R	136,96
Viega Sanpress Inox	V 15		578328	146,98
	V 18		578332	146,98
	V 22		578334	146,98
	V 28		578336	146,98
	V 35		578604	178,12
	V 15 S (PR-2B)	Mini Z8	574752 R	124,51
	V 18 S (PR-2B)	Mini Z8	574756 R	124,51
	V 22 S (PR-2B)	Mini Z8	574758 R	124,51
	V 28 S (PR-2B)	Mini Z8	574760 R	124,51
	V 35 S (PR-2B)	Mini Z8	574762 R	136,96
Viega Sanpress Inox G	V 15		578328	146,98
	V 18		578332	146,98
	V 22		578334	146,98
	V 28		578336	146,98
	V 35		578604	178,12
	V 15 S (PR-2B)	Mini Z8	574752 R	124,51
	V 18 S (PR-2B)	Mini Z8	574756 R	124,51
	V 22 S (PR-2B)	Mini Z8	574758 R	124,51
	V 28 S (PR-2B)	Mini Z8	574760 R	124,51
	V 35 S (PR-2B)	Mini Z8	574762 R	136,96
Viega Smartpress	VX 16		578552	204,17
	VX 20		578554	204,17
	VX 25		578556	204,17
Viega Temponox	V 15		578328	146,98
	V 18		578332	146,98
	V 22		578334	146,98
	V 28		578336	146,98
	V 35		578604	178,12
	V 15 S (PR-2B)	Mini Z8	574752 R	124,51
	V 18 S (PR-2B)	Mini Z8	574756 R	124,51
	V 22 S (PR-2B)	Mini Z8	574758 R	124,51
	V 28 S (PR-2B)	Mini Z8	574760 R	124,51
	V 35 S (PR-2B)	Mini Z8	574762 R	136,96

System	Pressing tongs Mini/pressing rings	Drive with adapter tongs	Art.-No.	€
Viessmann	TH 14		578348	177,08
	TH 16		578352 R	177,08
	TH 20		578358 R	177,08
	TH 26		578362 R	177,08
	TH 32		578364	177,08
Vogel & Noot EASYTEC	TH 16		578352 R	177,08
	TH 20		578358 R	177,08
	TH 26		578362 R	177,08
	TH 32		578364	177,08
	TH 40		578364	177,08
	TH 16 S (PR-2B)**	Mini Z8	574782 R	124,51
	TH 20 S (PR-2B)**	Mini Z8	574788 R	124,51
	TH 26 S (PR-2B)**	Mini Z8	574794 R	124,51
	TH 32 S (PR-2B)	Mini Z8	574798 R	136,96
VSH	> Aalberts integrated piping systems			

**W**

Watts MTR	TH 16		578352 R	177,08
Art press	TH 20		578358 R	177,08
	TH 26		578362 R	177,08
	TH 32		578364	177,08
WATTS	US ¾"		578534	201,16
RADIANT	US ½"		578536	201,16
Watts WaterPEX	US ¾"		578538	201,16
	US 1"		578540	201,16
WATTS	US ¾"		578534	201,16
RADIANT	US ½"		578536	201,16
Watts	US ¾"		578538	201,16
RadiantPEX	US 1"		578540	201,16
WATTS	U 16 (½")		578374	165,66
RADIANT	U 20 (¾")		578378	165,66
Watts	U 25 (¾")		578380	165,66
RadiantPEX-AL	U 32 (1")		578382	194,31
Wavin	B 16		578468	193,28
	B 20		578472	193,28
	B 32		578476	213,00
	H 16		578400	159,75
	H 20		578406	159,75
	H 25		578408	159,75
	H 32		578412	159,75
	TH 16		578352 R	177,08
	TH 20		578358 R	177,08
	TH 25		578360	177,08
	TH 32		578364	177,08
	TH 40		578624	234,69
	TH 16 S (PR-2B)**	Mini Z8	574782 R	124,51
	TH 20 S (PR-2B)**	Mini Z8	574788 R	124,51
	TH 25 S (PR-2B)**	Mini Z8	574792 R	124,51
	TH 32 S (PR-2B)	Mini Z8	574798 R	136,96
	U 16		578374	165,66
	U 20		578378	165,66
	U 25		578380	165,66
	U 32		578382	194,31
	U 40		578386	236,66
	UP 16		578578	165,66
	UP 20		578582	165,66
	UP 25		578584	165,66
	UP 32		578586	194,31
WEECON	M 15		578312	146,98
PRESS-C-Stahl	M 18		578314	146,98
	M 22		578316	146,98
	M 28		578318	146,98
	M 35		578390	178,12
	M 15 S (PR-2B)	Mini Z8	574738 R	124,51
	M 18 S (PR-2B)	Mini Z8	574740 R	124,51
	M 22 S (PR-2B)	Mini Z8	574742 R	124,51
	M 28 S (PR-2B)	Mini Z8	574744 R	124,51
	M 35 S (PR-2B)	Mini Z8	574746 R	136,96
WEECON	M 15		578312	146,98
PRESS-Edelstahl	M 18		578314	146,98
	M 22		578316	146,98
	M 28		578318	146,98
	M 35		578390	178,12
	M 15 S (PR-2B)	Mini Z8	574738 R	124,51
	M 18 S (PR-2B)	Mini Z8	574740 R	124,51
	M 22 S (PR-2B)	Mini Z8	574742 R	124,51
	M 28 S (PR-2B)	Mini Z8	574744 R	124,51
	M 35 S (PR-2B)	Mini Z8	574746 R	136,96
WEECON	V 15		578328	146,98
PRESS-Kupfer	V 18		578332	146,98
	V 22		578334	146,98
	V 28		578336	146,98
	V 35		578604	178,12
	V 15 S (PR-2B)	Mini Z8	574752 R	124,51
	V 18 S (PR-2B)	Mini Z8	574756 R	124,51
	V 22 S (PR-2B)	Mini Z8	574758 R	124,51
	V 28 S (PR-2B)	Mini Z8	574760 R	124,51
	V 35 S (PR-2B)	Mini Z8	574762 R	136,96

System	Pressing tongs Mini/pressing rings	Drive with adapter tongs	Art.-No.	€
WEM	U 16		578374	165,66
WIELAND-WERKE cuprotherm CTX	TH 14		578348	177,08
	TH 16		578352 R	177,08
	TH 14 S (PR-2B)**	Mini Z8	574778 R	124,51
	TH 16 S (PR-2B)**	Mini Z8	574782 R	124,51
WKS-Press	TH 14		578348	177,08
	TH 16		578352 R	177,08
	TH 17		578354	177,08
	TH 20		578358 R	177,08
	TH 26		578362 R	177,08
	TH 32		578364	177,08
	TH 40		578624	234,69
	WÜRTH Würth	TH 16		578352 R
TH 20		578358 R	177,08	
TH 26		578362 R	177,08	
HE 32		578370 R	212,06	

### X

XtraConnect	F 16		578456	168,68
	F 20		578460	168,68
	F 26		578462	182,48
	F 32		578464	182,48
	F 16 S (PR-2B)**	Mini Z8	574728 R	124,51
	F 20 S (PR-2B)**	Mini Z8	574730 R	124,51
	F 26 S (PR-2B)**	Mini Z8	574732 R	124,51
	F 32 S (PR-2B)	Mini Z8	574734 R	136,96
	H 16		578400	159,75
	H 20		578406	159,75
	H 26		578410	159,75
	H 32		578412	159,75
	TH 16		578352 R	177,08
	TH 20		578358 R	177,08
	TH 26		578362 R	177,08
	TH 32		578364	177,08
	TH 16 S (PR-2B)**	Mini Z8	574782 R	124,51
	TH 20 S (PR-2B)**	Mini Z8	574788 R	124,51
	TH 26 S (PR-2B)**	Mini Z8	574794 R	124,51
	TH 32 S (PR-2B)	Mini Z8	574798 R	136,96
	U 16		578374	165,66
	U 20		578378	165,66
	(DN 26) U 25		578380	165,66
	U 32		578382	194,31
	VP 16		578482	176,56
	VP 20		578484	176,56
	VP 32		578488	195,25

### Y

YX COPPER	Yz 16 UNI	578740	184,45
UNIPEX Water & Gas (AUS)	Yz 20 UNI	578742	184,45
	Yz 25 UNI	578744	184,45
	Yz 32 UNI	578746	184,45

System	Pressing tongs Mini/pressing rings	Drive with adapter tongs	Art.-No.	€
<b>Z</b>				
ZEWOTHERM Zewo Press Premium	TH 12		578346	177,08
	TH 16		578352 R	177,08
	TH 17		578354	177,08
	TH 18		578356	177,08
	TH 20		578358 R	177,08
	TH 26		578362 R	177,08
	TH 32		578364	177,08
	TH 40		578624	234,69
	TH 12 S (PR-2B)**	Mini Z8	574776 R	124,51
	TH 16 S (PR-2B)**		574782 R	124,51
	TH 17 S (PR-2B)**	Mini Z8	574784 R	124,51
	TH 18 S (PR-2B)**	Mini Z8	574786 R	124,51
	TH 20 S (PR-2B)**		574788 R	124,51
	TH 26 S (PR-2B)**		574794 R	124,51
TH 32 S (PR-2B)		574798 R	136,96	
ZEWOTHERM Zewo Press PPSU	TH 16		578352 R	177,08
	TH 20		578358 R	177,08
	TH 26		578362 R	177,08
	TH 32		578364	177,08
	TH 16 S (PR-2B)**	Mini Z8	574782 R	124,51
	TH 20 S (PR-2B)**	Mini Z8	574788 R	124,51
	TH 26 S (PR-2B)**	Mini Z8	574794 R	124,51
ZURN INDUSTRIES ZURN PEX	US ¾"		578534	201,16
	US ½"		578536	201,16
	US ¾"		578538	201,16
	US 1"		578540	201,16

Pressfitting systems for gas installations may only be pressed with the pressing tongs Mini which are highlighted in yellow in the table.

Observe the national regulations. Read and observe the system provider's/manufacturer's instructions for use and assembly instructions.

\*\* Can also be driven by the ROLLER'S Easy-Press manual radial press using the Z8 adapter tongs, see page 90. Observe the national regulations.

- <sup>1)</sup> Only pressing tongs from designation "108" (1<sup>st</sup> quarter of 2008), "208" (2<sup>nd</sup> quarter of 2008) etc. can be used. The designation is stamped on every pressing jaw.
- <sup>2)</sup> For accommodating suitable pressing inserts.
- <sup>3)</sup> Only pressing tongs from designation "117" (1<sup>st</sup> quarter of 201), "217" (2<sup>nd</sup> quarter of 2017) etc. can be used. The designation is stamped on every pressing jaw.
- <sup>4)</sup> For pipes with the EN technical standard. Observe the system provider's/manufacturer's instructions for use.
- <sup>6)</sup> Only use Mini pressing tongs identified by "VMP ½" G" on the pressing jaws for gas installations.
- <sup>7)</sup> Previous designation: Mini C 26 pressing tongs
- <sup>8)</sup> For pipes with the ASTM technical standard. Observe the system provider's/manufacturer's instructions for use.

Suitability of the ROLLER'S pressing tools for pressfitting systems: Status 27.10.2023. The current status can be found on the Internet:

[www.albert-roller.de](http://www.albert-roller.de) → Downloads → Product Catalogues, Brochures → ROLLER Catalogue.

See page 79 for adapter tongs. Pressing tongs/pressing rings for other press fitting systems on request.



Accessories	Art.-No.	€
<b>Adaptor tongs Mini Z8</b> for driving the ROLLER'S pressing rings S (PR-2B)	574700 R	144,28
<b>Steel case with inlay for 8 pressing tongs Mini / cropping tongs Mini and shelf for pipe cutter</b> up to Ø 42 mm	578295 A	96,53
<b>Steel case with inlay for Mini Z8 adapter tongs and Z8 adapter tongs as well as 6 ROLLER'S pressing rings S (PR-2B)</b>	574516 A	96,53
<b>L-Boxx system case with inlay for 11 pressing tongs Mini / cropping tongs Mini and 6 pressing rings S (PR-2B)</b>	578659 A	146,36
<b>L-Boxx system case with inlay for Mini Z8 adapter tongs and Z8 adapter tongs as well as 14 ROLLER'S pressing rings S (PR-2B)</b>	574704 A	146,36