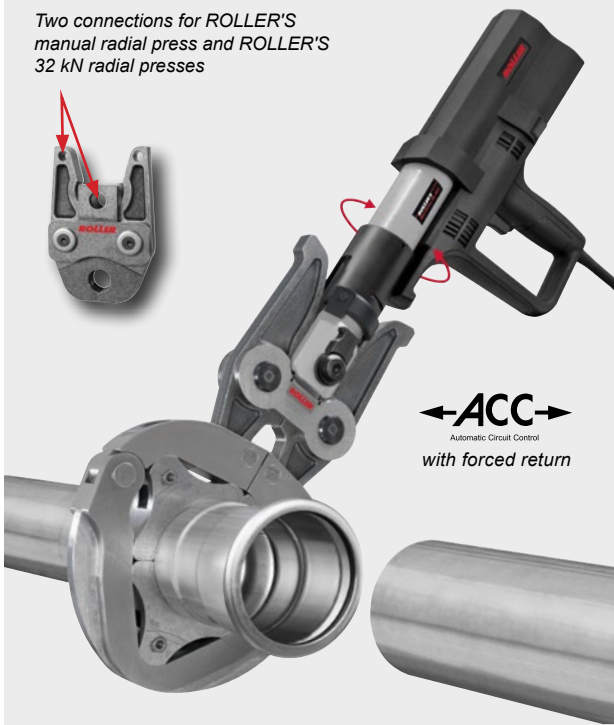


ROLLER'S Uni-Press XL ACC

Two connections for ROLLER'S manual radial press and ROLLER'S 32 kN radial presses



German Top Quality



Powerful, robust, compact electric radial press XL 32 kN with automatic return (forced return). For radial pressing joints Ø 10–108 (110) mm, Ø ¼–4".

- For fast, safe pressing of Ø 10–110 mm in just one action. Ultra-fast, e.g. Geberit Mapress Stainless-steel Ø 108 mm in only 15 s.
- Universal for all ROLLER'S pressing tongs (except ROLLER'S Mini pressing tongs), ROLLER'S pressing rings and ROLLER'S pressing ring XL, as well as for other suitable makes of pressing tongs / pressing rings.
- Compact design, slim form, comfortable weight, drive unit only 5.5 kg.
- Ergonomically designed housing with soft grip and recessed grip.
- Rotatable pressing tongs by housing on rotary bearing.
- Pressing process with ACC – for work safety and operating safety. Automatic return (forced return) after completed pressing.
- Several tons feed and pressing force for perfect, split-second pressing. Thrust 32 kN. Robust, powerful, electrohydraulic drive with eccentric piston pump with robust planetary gear and compact high-performance hydraulic system. Long working stroke for pressings in just one action, ideal for large dimensions.
- Proven, powerful 1~ universal motor 230 V, 50–60 Hz, 450 W, with safety switch.
- Constant shear force for constantly reliable pressing.
- Secure seating of pressing tongs/adaptor tongs by automatic locking. Adjustable protective guard.
- **Complete range of ROLLER'S pressing tongs / pressing rings / pressings XL for all common pressfitting systems, see page 100–140.**
With precisely worked and exactly rounded, system-specific press contour according to the respective pressfitting system. For perfect system-conformant, reliable pressing.
The pressing tongs / pressing rings / pressing rings XL are made from tenacious, specially hardened special steel and they are therefore highly resistant. For maximum quality demands and long life.
ROLLER'S pressing tongs/pressing rings fit all ROLLER'S 32 kN radial presses and suitable drive units of other makes with 32 kN thrust.
All pressing tongs marked by a * have an additional connection for manual driving by the ROLLER'S Easy-Press drive unit.
All pressing rings S (PR-2B) marked with ** can also be driven with the manual radial press ROLLER'S Easy-Press using the adapter tong Z8, see page 140.
- Confirmations of suitability see page 52.
- Liability acceptance agreements see page 53.

Scope of Delivery Art.-No. €

ROLLER'S Uni-Press XL ACC Basic-Pack

32 kN drive unit with forced return, in XL-Boxx system case 579012 A220 **2.344,84**

Accessories

ROLLER'S pressing tongs / pressing rings / pressing rings XL	See page 100–140
Z6 XL adapter tongs for driving the ROLLER'S pressing rings 64.0 – 108.0 XL (PR-3S), 2 ½–4" XL (PR-3S) with ROLLER'S Uni-Press XL ACC	579120 R 373,68
Adapter tongs for other ROLLER'S pressing rings	See page 140
ROLLER'S Uni-Press XL ACC drive unit with forced return	579000 A220 2.096,76
ROLLER'S cropping tongs M for threaded bars	See page 142
ROLLER'S cable shears for electric cables	See page 142
XL-Boxx system case with inlay	579601 A 248,08

