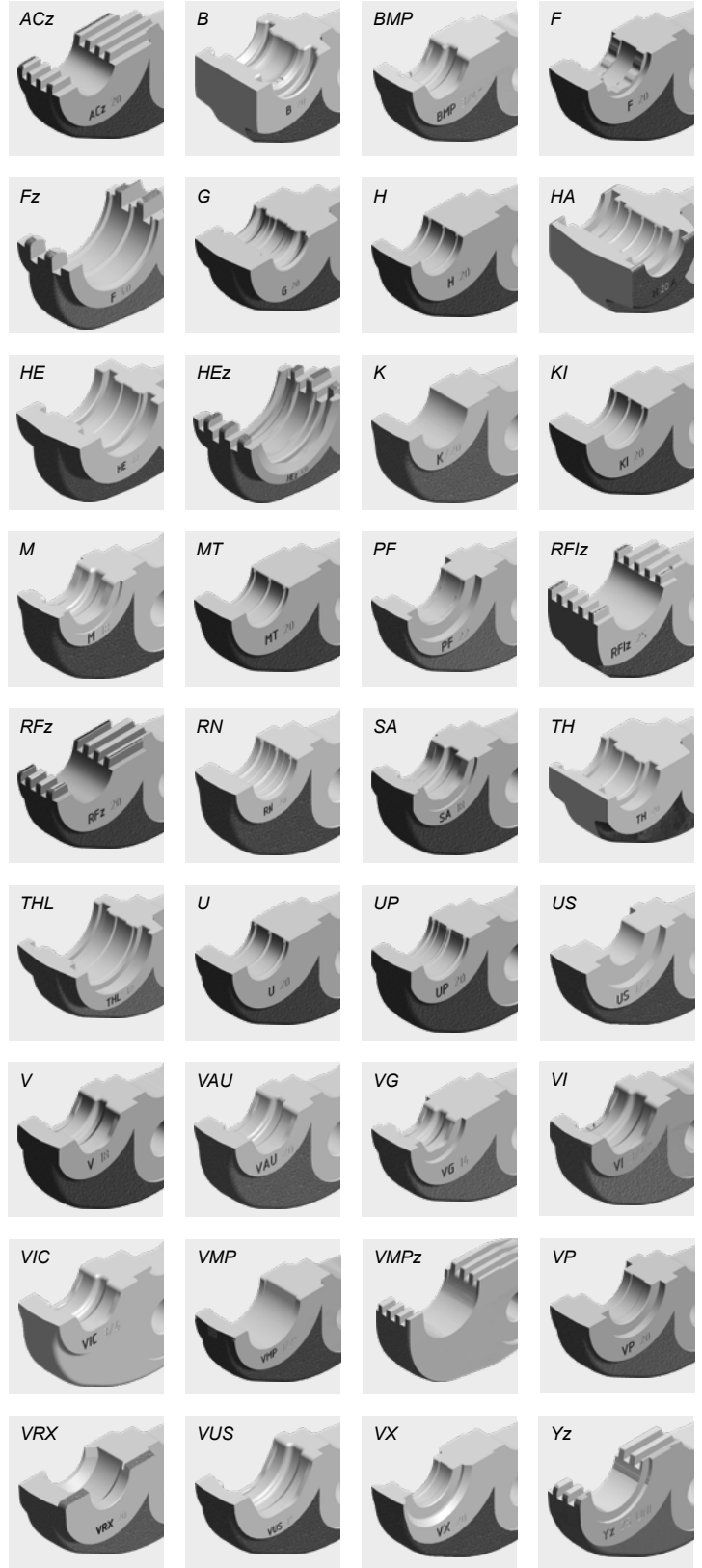


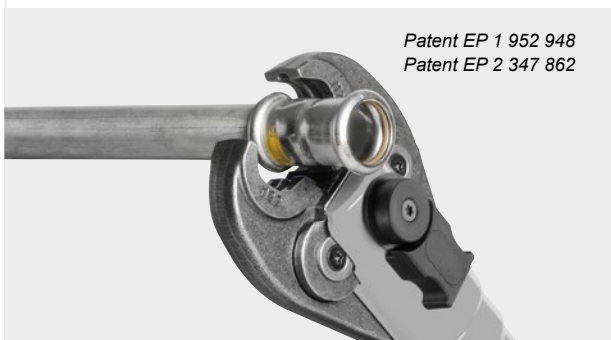
ROLLER'S pressing tongs Mini
ROLLER'S pressing rings



German Top Quality



ROLLER'S Mini pressing tongs (2B)
with 2 tiltable monoblock pressing jaws.



Patent EP 1 952 948
Patent EP 2 347 862

ROLLER'S pressing tongs Mini ACz / Fz / HEz / RFz / RFlz
with teeth prevent burr formation on the pressing segments

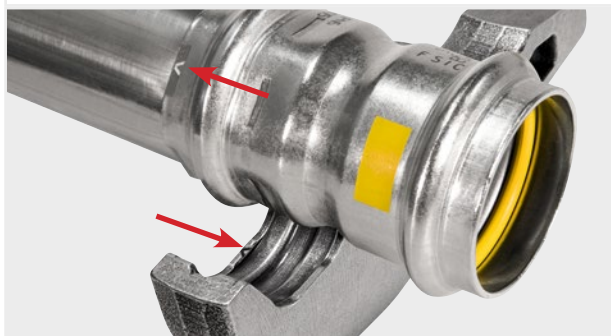


Patent EP 2 027 971

ROLLER'S pressing ring S (PR-2B), continuously swivelable for accurate positioning of the pressing jaws in places with difficult access.



Example: ROLLER'S Mini V pressing tongs: Impression "V"
on pressed fitting for traceability according to EN 1775:2007



Accessory for ROLLER'S 22 kN radial presses:

System-specific pressing tongs Mini / pressing rings for all common press fitting systems.

- Can be driven by all ROLLER'S 22 kN radial presses. Read and follow the instructions for use and assembly instructions of the system provider/ manufacturer.
- **Choose your own pressing tongs Mini / pressing rings!** Just select the desired pressfitting system and pressing tongs size / pressing ring size in the table on pages 60–89. Please note that pressfitting systems for gas installation may only be pressed with the pressing tongs Mini which are highlighted in yellow in the table.
- **ROLLER'S Mini pressing tongs (2B)**
Very compact design and low weight of the ROLLER'S Mini pressing tongs (2B) due to special arrangement of the pressing tongs connection (**Patent EP 1 952 948**).
Recesses in the pressing jaws for safe guidance of the connecting lugs for offset-free pressing (**Patent EP 2 347 862**).
ROLLER'S Mini ACz/Fz/HEz/RFz/RFlz pressing tongs with teeth prevent burr formation on the pressfitting (**Patent EP 2 027 971**).
- **ROLLER'S pressing ring S (PR-2B)**
Pressing ring S (PR-2B), with 2 pressing jaws, continuously swivelable for accurate positioning of the pressing jaws in places with difficult access. Adapter tongs required, see page 89. All pressing rings S (PR-2B) marked with ** can also be driven with the manual radial press ROLLER'S Easy-Press (page 90) using the adapter tong Z8.
- Precisely worked and exactly rounded, system-specific press contour according to the respective pressfitting system for perfectly system-conformant, reliable pressing.
- The pressing tongs / pressing rings are made from tenacious, specially hardened special steel and they are therefore highly resistant. For maximum quality demands and long life.
- Confirmations of suitability see page 52.
- SHK liability acceptance agreements see page 53.

Traceability according to EN 1775:2007.

- ROLLER'S pressing tongs Mini with press contour F, M, V, SA, B, RN and UP have worked a specific marking in the press contour which leaves a lasting impression directly on the pressed fitting after the pressing process. This enables the user to check again whether the most suitable pressing tongs Mini have been used to make the pressfit connection even after the pressing process.
- With this traceability ROLLER fulfils the recommendation of the European standard EN 1775:2007 for the installation of pressfitting systems for gas.

System	Pressing tongs Mini/pressing rings	Drive with adapter tongs	Art.-No.	kr	System	Pressing tongs Mini/pressing rings	Drive with adapter tongs	Art.-No.	kr
AYOR	H 12		578396	1 980,00	Bampi BALPEX	TH 16		578352 R	2 190,00
FIXOCONNECT	H 16		578400	1 980,00	Gas	TH 20		578358 R	2 190,00
Press	H 20		578406	1 980,00		TH 26		578362 R	2 190,00
	H 25		578408	1 980,00		TH 16 S (PR-2B)**	Mini Z8	574782 R	1 540,00
	RFz 12		578490	2 280,00		TH 20 S (PR-2B)**	Mini Z8	574788 R	1 540,00
	RFz 16		578492	2 280,00		TH 26 S (PR-2B)**	Mini Z8	574794 R	1 540,00
	RFz 20		578494	2 280,00	BARBI EASYPRESS	H 12		578396	1 980,00
	RFz 25		578496	2 280,00	(Industrial Blansol)	H 16		578400	1 980,00
	U 16		578374	2 050,00		H 20		578406	1 980,00
	U 20		578378	2 050,00		H 25		578408	1 980,00
	U 25		578380	2 050,00		H 32		578412	1 980,00
AYOR	H 16		578400	1 980,00		RFz 12		578490	2 280,00
FIXOMULTIX	H 20		578406	1 980,00		RFz 16		578492	2 280,00
	H 26		578410	1 980,00		RFz 20		578494	2 280,00
	H 32		578412	1 980,00		RFz 25		578496	2 280,00
	TH 16		578352 R	2 190,00		RFz 32		578498	2 280,00
	TH 20		578358 R	2 190,00		U 16		578374	2 050,00
	TH 26		578362 R	2 190,00		U 20		578378	2 050,00
	TH 32		578364	2 190,00		U 25		578380	2 050,00
	TH 16 S (PR-2B)**	Mini Z8	574782 R	1 540,00		U 32		578382	2 410,00
	TH 20 S (PR-2B)**	Mini Z8	574788 R	1 540,00	BARBI MULTIPLEX	H 14		578398	1 980,00
	TH 26 S (PR-2B)**	Mini Z8	574794 R	1 540,00	(Industrial Blansol)	H 16		578400	1 980,00
	TH 32 S (PR-2B)	Mini Z8	574798 R	1 700,00		H 18		578404	1 980,00
	U 16		578374	2 050,00		H 20		578406	1 980,00
	U 20		578378	2 050,00		H 25		578408	1 980,00
	U 32		578382	2 410,00		H 26		578410	1 980,00
	U 40		578386	2 930,00		H 32		578412	1 980,00
AYOR	H 16		578400	1 980,00		RFz 16		578492	2 280,00
SOMATHERM	H 20		578406	1 980,00		RFz 18		578638	2 280,00
FOR YOU -1	H 26		578410	1 980,00		RFz 20		578494	2 280,00
	TH 16		578352 R	2 190,00		RFz 25		578496	2 280,00
	TH 20		578358 R	2 190,00		RFz 32		578498	2 280,00
	TH 26		578362 R	2 190,00		TH 16		578352 R	2 190,00
	TH 16 S (PR-2B)**	Mini Z8	574782 R	1 540,00		TH 20		578358 R	2 190,00
	TH 20 S (PR-2B)**	Mini Z8	574788 R	1 540,00		TH 26		578362 R	2 190,00
	TH 26 S (PR-2B)**	Mini Z8	574794 R	1 540,00		TH 32		578364	2 190,00
	U 16		578374	2 050,00		TH 16 S (PR-2B)**	Mini Z8	574782 R	1 540,00
	U 20		578378	2 050,00		TH 20 S (PR-2B)**	Mini Z8	574788 R	1 540,00
AYOR	H 12		578396	1 980,00		TH 26 S (PR-2B)**	Mini Z8	574794 R	1 540,00
SOMATHERM	H 16		578400	1 980,00		TH 32 S (PR-2B)	Mini Z8	574798 R	1 700,00
FOR YOU -2	H 20		578406	1 980,00		U 16		578374	2 050,00
	H 25		578408	1 980,00		U 18		578376	2 050,00
	RFz 12		578490	2 280,00		U 20		578378	2 050,00
	RFz 16		578492	2 280,00		U 25		578380	2 050,00
	RFz 20		578494	2 280,00		U 32		578382	2 410,00
	RFz 25		578496	2 280,00		U 40		578386	2 930,00
	U 16		578374	2 050,00	BEGETUBE/	B 14		578466	2 390,00
	U 20		578378	2 050,00	IVAR	B 16		578468	2 390,00
	U 25		578380	2 050,00		B 18		578470	2 390,00
						B 20		578472	2 390,00
						B 26		578474	2 640,00
						B 32		578476	2 640,00
					Béné inox	M 15		578312	1 820,00
					Série 41	M 18		578314	1 820,00
						M 22		578316	1 820,00
						M 28		578318	1 820,00
						M 35		578390	2 210,00
						M 15 S (PR-2B)	Mini Z8	574738 R	1 540,00
						M 18 S (PR-2B)	Mini Z8	574740 R	1 540,00
						M 22 S (PR-2B)	Mini Z8	574742 R	1 540,00
						M 28 S (PR-2B)	Mini Z8	574744 R	1 540,00
						M 35 S (PR-2B)	Mini Z8	574746 R	1 700,00
					Brass Form	H 16		578400	1 980,00
					Master-Al-Pex	H 18		578404	1 980,00
						H 20		578406	1 980,00
						TH 16		578352 R	2 190,00
						TH 18		578356	2 190,00
						TH 20		578358 R	2 190,00
						TH 26		578362 R	2 190,00
						TH 32		578364	2 190,00
						TH 16 S (PR-2B)**	Mini Z8	574782 R	1 540,00
						TH 18 S (PR-2B)**	Mini Z8	574786 R	1 540,00
						TH 20 S (PR-2B)**	Mini Z8	574788 R	1 540,00
						TH 26 S (PR-2B)**	Mini Z8	574794 R	1 540,00
						TH 32 S (PR-2B)	Mini Z8	574798 R	1 700,00
						U 16		578374	2 050,00
						U 18		578376	2 050,00
						U 20		578378	2 050,00

B

Pressfitting systems for gas installations may only be pressed with the pressing tongs Mini which are highlighted in yellow in the table.

Observe the national regulations. Read and observe the system provider's/manufacturer's instructions for use and assembly instructions.

** Can also be driven by the ROLLER'S Easy-Press manual radial press using the Z8 adapter tongs, see page 90. Observe the national regulations.

¹⁾ Only pressing tongs from designation "108" (1st quarter of 2008), "208" (2nd quarter of 2008) etc. can be used. The designation is stamped on every pressing jaw.

²⁾ For accommodating suitable pressing inserts.

³⁾ Only pressing tongs from designation "117" (1st quarter of 201), "217" (2nd quarter of 2017) etc. can be used. The designation is stamped on every pressing jaw.

⁴⁾ For pipes with the EN technical standard. Observe the system provider's/manufacturer's instructions for use.

⁵⁾ Only use Mini pressing tongs identified by "VMP 1/2" G" on the pressing jaws for gas installations.

⁷⁾ Previous designation: Mini C 26 pressing tongs

⁹⁾ For pipes with the ASTM technical standard. Observe the system provider's/manufacturer's instructions for use.

Suitability of the ROLLER'S pressing tools for pressfitting systems: Status 27.10.2023. The current status can be found on the Internet:

www.albert-roller.de → Downloads → Product Catalogues, Brochures → ROLLER Catalogue.

See page 79 for adapter tongs. Pressing tongs/pressing rings for other press fitting systems on request.

System	Pressing tongs Mini/pressing rings	Drive with adapter tongs	Art.-No.	kr	System	Pressing tongs Mini/pressing rings	Drive with adapter tongs	Art.-No.	kr
CONEL	M 15		578312	1 820,00	Conex Bänninger	F 16		578456	2 090,00
CONNECT INOX	M 18		578314	1 820,00	>B< Flex	F 18		578458	2 090,00
	M 22		578316	1 820,00		F 20		578460	2 090,00
	V 15		578328	1 820,00		F 32		578464	2 260,00
	V 18		578332	1 820,00		F 16 S (PR-2B)**	Mini Z8	574728 R	1 540,00
	V 22		578334	1 820,00		F 20 S (PR-2B)**	Mini Z8	574730 R	1 540,00
CONEL	F 16		578456	2 090,00		F 32 S (PR-2B)	Mini Z8	574734 R	1 700,00
CONNECT	F 20		578460	2 090,00		H 16		578400	1 980,00
MULTI	F 26		578462	2 260,00		H 18		578404	1 980,00
	F 32		578464	2 260,00		H 20		578406	1 980,00
	F 16 S (PR-2B)**	Mini Z8	574728 R	1 540,00		H 25		578408	1 980,00
	F 20 S (PR-2B)**	Mini Z8	574730 R	1 540,00		H 32		578412	1 980,00
	F 26 S (PR-2B)**	Mini Z8	574732 R	1 540,00		RFz 16		578492	2 280,00
	F 32 S (PR-2B)**	Mini Z8	574734 R	1 700,00		RFz 18		578638	2 280,00
	H 16		578400	1 980,00		RFz 20		578494	2 280,00
	H 20		578406	1 980,00		RFz 25		578496	2 280,00
	H 26		578410	1 980,00		RFz 32		578498	2 280,00
	H 32		578412	1 980,00		TH 16		578352 R	2 190,00
	TH 16		578352 R	2 190,00		TH 18		578356	2 190,00
	TH 20		578358 R	2 190,00		TH 20		578358 R	2 190,00
	TH 26		578362 R	2 190,00		TH 25		578360	2 190,00
	TH 32		578364	2 190,00		TH 32		578364	2 190,00
	TH 16 S (PR-2B)**	Mini Z8	574782 R	1 540,00		TH 16 S (PR-2B)**	Mini Z8	574782 R	1 540,00
	TH 20 S (PR-2B)**	Mini Z8	574788 R	1 540,00		TH 18 S (PR-2B)**	Mini Z8	574786 R	1 540,00
	TH 26 S (PR-2B)**	Mini Z8	574794 R	1 540,00		TH 20 S (PR-2B)**	Mini Z8	574788 R	1 540,00
	TH 32 S (PR-2B)**	Mini Z8	574798 R	1 700,00		TH 32 S (PR-2B)	Mini Z8	574798 R	1 700,00
	U 16		578374	2 050,00		U 16		578374	2 050,00
	U 20		578378	2 050,00		U 18		578376	2 050,00
(DN 26)	U 25		578380	2 050,00		U 20		578378	2 050,00
	U 32		578382	2 410,00		U 25		578380	2 050,00
	VP 16		578482	2 190,00		U 32		578382	2 410,00
	VP 20		578484	2 190,00		Conex Bänninger	F 16	578456	2 090,00
	VP 32		578488	2 420,00	>B< Flex Gas	F 18		578458	2 090,00
CONEL	F 16		578456	2 090,00		F 20		578460	2 090,00
CONNECT	F 20		578460	2 090,00		F 32		578464	2 260,00
MV2	F 26		578462	2 260,00		F 16 S (PR-2B)**	Mini Z8	574728 R	1 540,00
	F 32		578464	2 260,00		F 20 S (PR-2B)**	Mini Z8	574730 R	1 540,00
	F 16 S (PR-2B)**	Mini Z8	574728 R	1 540,00		F 32 S (PR-2B)	Mini Z8	574734 R	1 700,00
	F 20 S (PR-2B)**	Mini Z8	574730 R	1 540,00		H 16		578400	1 980,00
	F 26 S (PR-2B)**	Mini Z8	574732 R	1 540,00		H 18		578404	1 980,00
	F 32 S (PR-2B)**	Mini Z8	574734 R	1 700,00		H 20		578406	1 980,00
	TH 16		578352 R	2 190,00		H 25		578408	1 980,00
	TH 20		578358 R	2 190,00		H 32		578412	1 980,00
	TH 26		578362 R	2 190,00		RFz 16		578492	2 280,00
	TH 32		578364	2 190,00		RFz 18		578638	2 280,00
	TH 16 S (PR-2B)**	Mini Z8	574782 R	1 540,00		RFz 20		578494	2 280,00
	TH 20 S (PR-2B)**	Mini Z8	574788 R	1 540,00		RFz 25		578496	2 280,00
	TH 26 S (PR-2B)**	Mini Z8	574794 R	1 540,00		RFz 32		578498	2 280,00
	TH 32 S (PR-2B)**	Mini Z8	574798 R	1 700,00		TH 16		578352 R	2 190,00
Conex Bänninger	M 15		578312	1 820,00		TH 18		578356	2 190,00
<A> Press Inox	M 18		578314	1 820,00		TH 20		578358 R	2 190,00
(304)	M 22		578316	1 820,00		TH 25		578360	2 190,00
	M 28		578318	1 820,00		TH 32		578364	2 190,00
	M 35		578390	2 210,00		TH 16 S (PR-2B)**	Mini Z8	574782 R	1 540,00
	M 15 S (PR-2B)	Mini Z8	574738 R	1 540,00		TH 18 S (PR-2B)**	Mini Z8	574786 R	1 540,00
	M 18 S (PR-2B)	Mini Z8	574740 R	1 540,00		TH 20 S (PR-2B)**	Mini Z8	574788 R	1 540,00
	M 22 S (PR-2B)	Mini Z8	574742 R	1 540,00		TH 32 S (PR-2B)	Mini Z8	574798 R	1 700,00
	M 28 S (PR-2B)	Mini Z8	574744 R	1 540,00		U 16		578374	2 050,00
	M 35 S (PR-2B)	Mini Z8	574746 R	1 700,00		U 18		578376	2 050,00
Conex Bänninger	M 15		578312	1 820,00		U 20		578378	2 050,00
<A> Press Inox	M 18		578314	1 820,00		U 25		578380	2 050,00
(316L)	M 22		578316	1 820,00		U 32		578382	2 410,00
	M 28		578318	1 820,00	Conex Bänninger	BMP ¼"		578700	2 170,00
	M 35		578390	2 210,00	>B< MaxiPro	BMP ⅜"		578702	2 170,00
	M 15 S (PR-2B)	Mini Z8	574738 R	1 540,00		BMP ½"		578704	2 170,00
	M 18 S (PR-2B)	Mini Z8	574740 R	1 540,00		BMP ⅝"		578706	2 170,00
	M 22 S (PR-2B)	Mini Z8	574742 R	1 540,00		BMP ¾"		578708	2 170,00
	M 28 S (PR-2B)	Mini Z8	574744 R	1 540,00		BMP 1"		578710	2 170,00
	M 35 S (PR-2B)	Mini Z8	574746 R	1 700,00		BMP 1 ¼"		578712	2 170,00
								578714	2 170,00

Pressfitting systems for gas installations may only be pressed with the pressing tongs Mini which are highlighted in yellow in the table.

Observe the national regulations. Read and observe the system provider's/manufacturer's instructions for use and assembly instructions.

** Can also be driven by the ROLLER'S Easy-Press manual radial press using the Z8 adapter tongs, see page 90. Observe the national regulations.

¹⁾ Only pressing tongs from designation "108" (1st quarter of 2008), "208" (2nd quarter of 2008) etc. can be used. The designation is stamped on every pressing jaw.

²⁾ For accommodating suitable pressing inserts.

³⁾ Only pressing tongs from designation "117" (1st quarter of 201), "217" (2nd quarter of 2017) etc. can be used. The designation is stamped on every pressing jaw.

⁴⁾ For pipes with the EN technical standard. Observe the system provider's/manufacturer's instructions for use.

⁵⁾ Only use Mini pressing tongs identified by "VMP ½" G" on the pressing jaws for gas installations.

⁷⁾ Previous designation: Mini C 26 pressing tongs

⁹⁾ For pipes with the ASTM technical standard. Observe the system provider's/manufacturer's instructions for use.

Suitability of the ROLLER'S pressing tools for pressfitting systems: Status 27.10.2023. The current status can be found on the Internet:

www.albert-roller.de → Downloads → Product Catalogues, Brochures → ROLLER Catalogue.

See page 79 for adapter tongs. Pressing tongs/pressing rings for other press fitting systems on request.

System	Pressing tongs Mini/pressing rings	Drive with adapter tongs	Art.-No.	kr	
Geberit Mapress Edelstahl Gas	M 15		578312	1 820,00	
	M 18		578314	1 820,00	
	M 22		578316	1 820,00	
	M 28		578318	1 820,00	
	M 35		578390	2 210,00	
	M 15 S (PR-2B)	Mini Z8	574738 R	1 540,00	
	M 18 S (PR-2B)	Mini Z8	574740 R	1 540,00	
	M 22 S (PR-2B)	Mini Z8	574742 R	1 540,00	
	M 28 S (PR-2B)	Mini Z8	574744 R	1 540,00	
	M 35 S (PR-2B)	Mini Z8	574746 R	1 700,00	
Geberit Mapress Edelstahl Sprinkler	M 22		578316	1 820,00	
	M 28		578318	1 820,00	
Geberit Mapress Kupfer	M 12		578310	1 820,00	
	M 15		578312	1 820,00	
	M 18		578314	1 820,00	
	M 22		578316	1 820,00	
	M 28		578318	1 820,00	
	M 35		578390	2 210,00	
	M 12 S (PR-2B)	Mini Z8	574736 R	1 540,00	
	M 15 S (PR-2B)	Mini Z8	574738 R	1 540,00	
	M 18 S (PR-2B)	Mini Z8	574740 R	1 540,00	
	M 22 S (PR-2B)	Mini Z8	574742 R	1 540,00	
	M 28 S (PR-2B)	Mini Z8	574744 R	1 540,00	
	M 35 S (PR-2B)	Mini Z8	574746 R	1 700,00	
	Geberit Mapress Kupfer Gas	M 15		578312	1 820,00
		M 18		578314	1 820,00
		M 22		578316	1 820,00
M 28			578318	1 820,00	
M 35			578390	2 210,00	
M 15 S (PR-2B)		Mini Z8	574738 R	1 540,00	
M 18 S (PR-2B)		Mini Z8	574740 R	1 540,00	
M 22 S (PR-2B)		Mini Z8	574742 R	1 540,00	
M 28 S (PR-2B)		Mini Z8	574744 R	1 540,00	
M 35 S (PR-2B)		Mini Z8	574746 R	1 700,00	
Geberit Mepla	G 16		578444	2 200,00	
	G 20		578446	2 200,00	
	G 26		578448	2 330,00	
	G 32		578450	2 490,00	
	G 40		578452	3 220,00	
Geberit Mepla Therm	G 16		578444	2 200,00	
	G 20		578446	2 200,00	
	G 26		578448	2 330,00	
Geberit Volex	TH 16		578352 R	2 190,00	
	TH 20		578358 R	2 190,00	
	TH 26		578362 R	2 190,00	
General Fittings 5T00	H 16		578400	1 980,00	
	H 20		578406	1 980,00	
	H 26		578410	1 980,00	
	H 32		578412	1 980,00	
	TH 16		578352 R	2 190,00	
	TH 20		578358 R	2 190,00	
	TH 26		578362 R	2 190,00	
	TH 32		578364	2 190,00	
	TH 40		578624	2 900,00	
	TH 16 S (PR-2B)**	Mini Z8	574782 R	1 540,00	
	TH 20 S (PR-2B)**	Mini Z8	574788 R	1 540,00	
	TH 26 S (PR-2B)**	Mini Z8	574794 R	1 540,00	
	TH 32 S (PR-2B)	Mini Z8	574798 R	1 700,00	
	U 16		578374	2 050,00	
	U 20		578378	2 050,00	
U 32		578382	2 410,00		
U 40		578386	2 930,00		
General Fittings Ewoprex	H 16		578400	1 980,00	
	H 20		578406	1 980,00	
	H 26		578410	1 980,00	
	H 32		578412	1 980,00	
	TH 16		578352 R	2 190,00	
	TH 20		578358 R	2 190,00	
	TH 26		578362 R	2 190,00	
	TH 32		578364	2 190,00	
	TH 40		578624	2 900,00	
	TH 16 S (PR-2B)**	Mini Z8	574782 R	1 540,00	
	TH 20 S (PR-2B)**	Mini Z8	574788 R	1 540,00	
	TH 26 S (PR-2B)**	Mini Z8	574794 R	1 540,00	
	TH 32 S (PR-2B)	Mini Z8	574798 R	1 700,00	
	U 16		578374	2 050,00	
	U 20		578378	2 050,00	
U 32		578382	2 410,00		
U 40		578386	2 930,00		

System	Pressing tongs Mini/pressing rings	Drive with adapter tongs	Art.-No.	kr
General Fittings Serie 5S00	B 16		578468	2 390,00
	B 18		578470	2 390,00
	B 20		578472	2 390,00
	B 26		578474	2 640,00
	B 32		578476	2 640,00
	F 16		578456	2 090,00
	F 20		578460	2 090,00
	F 26		578462	2 260,00
	F 32		578464	2 260,00
	F 16 S (PR-2B)**	Mini Z8	574728 R	1 540,00
	F 20 S (PR-2B)**	Mini Z8	574730 R	1 540,00
	F 26 S (PR-2B)**	Mini Z8	574732 R	1 540,00
	F 32 S (PR-2B)	Mini Z8	574734 R	1 700,00
	H 16		578400	1 980,00
	H 18		578404	1 980,00
	H 20		578406	1 980,00
	H 25		578408	1 980,00
	H 26		578410	1 980,00
	H 32		578412	1 980,00
	TH 16		578352 R	2 190,00
	TH 18		578356	2 190,00
	TH 20		578358 R	2 190,00
	TH 25		578360	2 190,00
	TH 26		578362 R	2 190,00
	TH 32		578364	2 190,00
	TH 40		578624	2 900,00
	TH 16 S (PR-2B)**	Mini Z8	574782 R	1 540,00
	TH 18 S (PR-2B)**	Mini Z8	574786 R	1 540,00
	TH 20 S (PR-2B)**	Mini Z8	574788 R	1 540,00
	TH 25 S (PR-2B)**	Mini Z8	574792 R	1 540,00
	TH 26 S (PR-2B)**	Mini Z8	574794 R	1 540,00
	TH 32 S (PR-2B)	Mini Z8	574798 R	1 700,00
	U 16		578374	2 050,00
	U 18		578376	2 050,00
	U 20		578378	2 050,00
U 25		578380	2 050,00	
U 32		578382	2 410,00	
U 40		578386	2 930,00	
General Fittings Trident	H 16		578400	1 980,00
	H 20		578406	1 980,00
	H 26		578410	1 980,00
	H 32		578412	1 980,00
	TH 16		578352 R	2 190,00
	TH 20		578358 R	2 190,00
	TH 26		578362 R	2 190,00
	TH 32		578364	2 190,00
	TH 16 S (PR-2B)**	Mini Z8	574782 R	1 540,00
	TH 20 S (PR-2B)**	Mini Z8	574788 R	1 540,00
	TH 26 S (PR-2B)**	Mini Z8	574794 R	1 540,00
	TH 32 S (PR-2B)	Mini Z8	574798 R	1 700,00
	U 16		578374	2 050,00
	U 20		578378	2 050,00
	U 32		578382	2 410,00
General Fittings Trident Gas	H 16		578400	1 980,00
	H 20		578406	1 980,00
	H 26		578410	1 980,00
	TH 16		578352 R	2 190,00
	TH 20		578358 R	2 190,00
	TH 26		578362 R	2 190,00
	TH 32		578364	2 190,00
	TH 16 S (PR-2B)**	Mini Z8	574782 R	1 540,00
	TH 20 S (PR-2B)**	Mini Z8	574788 R	1 540,00
	TH 26 S (PR-2B)**	Mini Z8	574794 R	1 540,00
	TH 32 S (PR-2B)	Mini Z8	574798 R	1 700,00
	U 16		578374	2 050,00
	U 20		578378	2 050,00
	U 32		578382	2 410,00
	Giacomini Raccordi RM Giacomini	H 16		578400
H 20			578406	1 980,00
H 26			578410	1 980,00
H 32			578412	1 980,00
TH 16			578352 R	2 190,00
TH 20			578358 R	2 190,00
TH 26			578362 R	2 190,00
TH 32			578364	2 190,00
TH 40			578624	2 900,00
TH 16 S (PR-2B)**		Mini Z8	574782 R	1 540,00
TH 20 S (PR-2B)**		Mini Z8	574788 R	1 540,00
TH 26 S (PR-2B)**		Mini Z8	574794 R	1 540,00
TH 32 S (PR-2B)		Mini Z8	574798 R	1 700,00
U 16			578374	2 050,00
U 20			578378	2 050,00
U 32		578382	2 410,00	
U 40		578386	2 930,00	

Pressfitting systems for gas installations may only be pressed with the pressing tongs Mini which are highlighted in yellow in the table.

Observe the national regulations. Read and observe the system provider's/manufacture's instructions for use and assembly instructions.

** Can also be driven by the ROLLER'S Easy-Press manual radial press using the Z8 adapter tongs, see page 90. Observe the national regulations.

1) Only pressing tongs from designation "108" (1st quarter of 2008), "208" (2nd quarter of 2008) etc. can be used. The designation is stamped on every pressing jaw.

2) For accommodating suitable pressing inserts.

3) Only pressing tongs from designation "117" (1st quarter of 201), "217" (2nd quarter of 2017) etc. can be used. The designation is stamped on every pressing jaw.

4) For pipes with the EN technical standard. Observe the system provider's/manufacture's instructions for use.

6) Only use Mini pressing tongs identified by "VMP 1/2" G" on the pressing jaws for gas installations.

7) Previous designation: Mini C 26 pressing tongs

9) For pipes with the ASTM technical standard. Observe the system provider's/manufacture's instructions for use.

Suitability of the ROLLER'S pressing tools for pressfitting systems: Status 27.10.2023. The current status can be found on the Internet:

www.albert-roller.de → Downloads → Product Catalogues, Brochures → ROLLER Catalogue.

See page 79 for adapter tongs. Pressing tongs/pressing rings for other press fitting systems on request.

System	Pressing tongs Mini/pressing rings	Drive with adapter tongs	Art.-No.	kr	System	Pressing tongs Mini/pressing rings	Drive with adapter tongs	Art.-No.	kr
HITHERM-ISOTUBI HTpress	M 15		578312	1 820,00	ICMA Sempigas	TH 16		578352 R	2 190,00
	M 18		578314	1 820,00		TH 20		578358 R	2 190,00
	M 22		578316	1 820,00		TH 25		578360	2 190,00
	M 28		578318	1 820,00		TH 26		578362 R	2 190,00
	M 35		578390	2 210,00		TH 32		578364	2 190,00
	M 15 S (PR-2B)	Mini Z8	574738 R	1 540,00		TH 16 S (PR-2B)**	Mini Z8	574782 R	1 540,00
	M 18 S (PR-2B)	Mini Z8	574740 R	1 540,00		TH 20 S (PR-2B)**	Mini Z8	574788 R	1 540,00
	M 22 S (PR-2B)	Mini Z8	574742 R	1 540,00		TH 26 S (PR-2B)**	Mini Z8	574794 R	1 540,00
	M 28 S (PR-2B)	Mini Z8	574744 R	1 540,00		TH 32 S (PR-2B)	Mini Z8	574798 R	1 700,00
	M 35 S (PR-2B)	Mini Z8	574746 R	1 700,00		Idrosanitaria Bonomi Homegas	TH 16		578352 R
HITHERM-ISOTUBI HTfire	M 15		578312	1 820,00	TH 20			578358 R	2 190,00
	M 18		578314	1 820,00	TH 26			578362 R	2 190,00
	M 22		578316	1 820,00	TH 16 S (PR-2B)**		Mini Z8	574782 R	1 540,00
	M 28		578318	1 820,00	TH 20 S (PR-2B)**		Mini Z8	574788 R	1 540,00
	M 35		578390	2 210,00	TH 26 S (PR-2B)**		Mini Z8	574794 R	1 540,00
	M 15 S (PR-2B)	Mini Z8	574738 R	1 540,00	TH 26 S (PR-2B)**	Mini Z8	574794 R	1 540,00	
	M 18 S (PR-2B)	Mini Z8	574740 R	1 540,00	Idrosanitaria Bonomi Idropress	TH 16		578352 R	2 190,00
	M 22 S (PR-2B)	Mini Z8	574742 R	1 540,00		TH 18		578356 R	2 190,00
	M 28 S (PR-2B)	Mini Z8	574744 R	1 540,00		TH 20		578358 R	2 190,00
	M 35 S (PR-2B)	Mini Z8	574746 R	1 700,00		TH 26		578362 R	2 190,00
HITHERM-ISOTUBI HTair	M 15		578312	1 820,00		TH 32		578364	2 190,00
	M 18		578314	1 820,00		TH 40		578624	2 900,00
	M 22		578316	1 820,00		TH 16 S (PR-2B)**	Mini Z8	574782 R	1 540,00
	M 28		578318	1 820,00		TH 20 S (PR-2B)**	Mini Z8	574788 R	1 540,00
	M 35		578390	2 210,00		TH 26 S (PR-2B)**	Mini Z8	574794 R	1 540,00
	M 15 S (PR-2B)	Mini Z8	574738 R	1 540,00		TH 32 S (PR-2B)	Mini Z8	574798 R	1 700,00
	M 18 S (PR-2B)	Mini Z8	574740 R	1 540,00	IDROSISTEMI Ta-Press	TH 16		578352 R	2 190,00
	M 22 S (PR-2B)	Mini Z8	574742 R	1 540,00		TH 20		578358 R	2 190,00
	M 28 S (PR-2B)	Mini Z8	574744 R	1 540,00		TH 26		578362 R	2 190,00
	M 35 S (PR-2B)	Mini Z8	574746 R	1 700,00		TH 32		578364	2 190,00
Hopewell press fit system	M 15		578312	1 820,00		TH 40		578624	2 900,00
	M 18		578314	1 820,00		TH 16 S (PR-2B)**	Mini Z8	574782 R	1 540,00
	M 22		578316	1 820,00		TH 20 S (PR-2B)**	Mini Z8	574788 R	1 540,00
	M 28		578318	1 820,00		TH 26 S (PR-2B)**	Mini Z8	574794 R	1 540,00
	M 35		578390	2 210,00		TH 32 S (PR-2B)	Mini Z8	574798 R	1 700,00
hp praski BAVARIA-press	TH 10		578342	2 190,00		F 16		578456	2 090,00
	TH 12		578346	2 190,00	F 20		578460	2 090,00	
	TH 14		578348	2 190,00	F 26		578462	2 260,00	
	TH 16		578352 R	2 190,00	F 32		578464	2 260,00	
	TH 17		578354	2 190,00	F 16 S (PR-2B)**	Mini Z8	574728 R	1 540,00	
	TH 20		578358 R	2 190,00	F 20 S (PR-2B)**	Mini Z8	574730 R	1 540,00	
	TH 25		578360	2 190,00	F 26 S (PR-2B)**	Mini Z8	574732 R	1 540,00	
	TH 26		578362 R	2 190,00	F 32 S (PR-2B)	Mini Z8	574734 R	1 700,00	
	TH 32		578364	2 190,00	Fz 40		578478	3 060,00	
	TH 40		578624	2 900,00	H 16		578400	1 980,00	
	TH 10 S (PR-2B)**	Mini Z8	574772 R	1 540,00	H 20		578406	1 980,00	
	TH 12 S (PR-2B)**	Mini Z8	574776 R	1 540,00	H 26		578410	1 980,00	
	TH 14 S (PR-2B)**	Mini Z8	574778 R	1 540,00	H 32		578412	1 980,00	
	TH 16 S (PR-2B)**	Mini Z8	574782 R	1 540,00	U 16		578374	2 050,00	
	TH 17 S (PR-2B)**	Mini Z8	574784 R	1 540,00	U 20		578378	2 050,00	
	TH 20 S (PR-2B)**	Mini Z8	574788 R	1 540,00	U 26 ¹⁾		578392	2 410,00	
	TH 25 S (PR-2B)**	Mini Z8	574792 R	1 540,00	U 32		578382	2 410,00	
	TH 26 S (PR-2B)**	Mini Z8	574794 R	1 540,00	U 40		578386	2 930,00	
	TH 32 S (PR-2B)	Mini Z8	574798 R	1 700,00	B 16		578468	2 390,00	
					B 20		578472	2 390,00	
				B 26		578474	2 640,00		
				B 32		578476	2 640,00		
				IDROTRADE Storm Multipinza	H 16		578400	1 980,00	
					H 20		578406	1 980,00	
					H 26		578410	1 980,00	
					H 32		578412	1 980,00	
					TH 16		578352 R	2 190,00	
					TH 20		578358 R	2 190,00	
					TH 26		578362 R	2 190,00	
					TH 32		578364	2 190,00	
					THL 32		578368	2 190,00	
					TH 40		578624	2 900,00	
				TH 16 S (PR-2B)**	Mini Z8	574782 R	1 540,00		
				TH 20 S (PR-2B)**	Mini Z8	574788 R	1 540,00		
				TH 26 S (PR-2B)**	Mini Z8	574794 R	1 540,00		
				TH 32 S (PR-2B)	Mini Z8	574798 R	1 700,00		
				U 16		578374	2 050,00		
				U 20		578378	2 050,00		
				IDROTRADE StormPRES ¹⁾	M 15		578312	1 820,00	
					M 18		578314	1 820,00	
					M 22		578316	1 820,00	
					M 28		578318	1 820,00	
					M 35		578390	2 210,00	
					M 15 S (PR-2B)	Mini Z8	574738 R	1 540,00	
					M 18 S (PR-2B)	Mini Z8	574740 R	1 540,00	
					M 22 S (PR-2B)	Mini Z8	574742 R	1 540,00	
					M 28 S (PR-2B)	Mini Z8	574744 R	1 540,00	
					M 35 S (PR-2B)	Mini Z8	574746 R	1 700,00	

I

Pressfitting systems for gas installations may only be pressed with the pressing tongs Mini which are highlighted in yellow in the table.

Observe the national regulations. Read and observe the system provider's/manufacturer's instructions for use and assembly instructions.

** Can also be driven by the ROLLER'S Easy-Press manual radial press using the Z8 adapter tongs, see page 90. Observe the national regulations.

¹⁾ Only pressing tongs from designation "108" (1st quarter of 2008), "208" (2nd quarter of 2008) etc. can be used. The designation is stamped on every pressing jaw.

²⁾ For accommodating suitable pressing inserts.

³⁾ Only pressing tongs from designation "117" (1st quarter of 201), "217" (2nd quarter of 2017) etc. can be used. The designation is stamped on every pressing jaw.

⁴⁾ For pipes with the EN technical standard. Observe the system provider's/manufacturer's instructions for use.

⁵⁾ Only use Mini pressing tongs identified by "VMP ½" G" on the pressing jaws for gas installations.

⁷⁾ Previous designation: Mini C 26 pressing tongs

⁹⁾ For pipes with the ASTM technical standard. Observe the system provider's/manufacturer's instructions for use.

Suitability of the ROLLER'S pressing tools for pressfitting systems: Status 27.10.2023. The current status can be found on the Internet:

www.albert-roller.de → Downloads → Product Catalogues, Brochures → ROLLER Catalogue.

See page 79 for adapter tongs. Pressing tongs/pressing rings for other press fitting systems on request.

System	Pressing tongs Mini/pressing rings	Drive with adapter tongs	Art.-No.	kr	System	Pressing tongs Mini/pressing rings	Drive with adapter tongs	Art.-No.	kr
IVAR	TH 16		578352 R	2 190,00	<p style="text-align: center;">J</p> <p>Jäger - Aquatec H 14 578398 1 980,00 Aquapress H H 16 578400 1 980,00 H 17 578402 1 980,00 H 18 578404 1 980,00 H 20 578406 1 980,00 H 26 578410 1 980,00 H 32 578412 1 980,00 U 40 578386 2 930,00</p> <hr/> Jäger - Aquatec M 15 578312 1 820,00 C-Stahl M 18 578314 1 820,00 Press Typ M M 22 578316 1 820,00 M 28 578318 1 820,00 M 35 578390 2 210,00 M 15 S (PR-2B) Mini Z8 574738 R 1 540,00 M 18 S (PR-2B) Mini Z8 574740 R 1 540,00 M 22 S (PR-2B) Mini Z8 574742 R 1 540,00 M 28 S (PR-2B) Mini Z8 574744 R 1 540,00 M 35 S (PR-2B) Mini Z8 574746 R 1 700,00 <hr/> Jäger - Aquatec M 15 578312 1 820,00 Edelstahl M 18 578314 1 820,00 Press Typ M M 22 578316 1 820,00 M 28 578318 1 820,00 M 35 578390 2 210,00 M 15 S (PR-2B) Mini Z8 574738 R 1 540,00 M 18 S (PR-2B) Mini Z8 574740 R 1 540,00 M 22 S (PR-2B) Mini Z8 574742 R 1 540,00 M 28 S (PR-2B) Mini Z8 574744 R 1 540,00 M 35 S (PR-2B) Mini Z8 574746 R 1 700,00 <hr/> Jäger - Aquatec V 15 578328 1 820,00 Kupfer V 18 578332 1 820,00 Press Typ V V 22 578334 1 820,00 V 28 578336 1 820,00 V 35 578604 2 210,00 V 15 S (PR-2B) Mini Z8 574752 R 1 540,00 V 18 S (PR-2B) Mini Z8 574756 R 1 540,00 V 22 S (PR-2B) Mini Z8 574758 R 1 540,00 V 28 S (PR-2B) Mini Z8 574760 R 1 540,00 V 35 S (PR-2B) Mini Z8 574762 R 1 700,00 <hr/> Jansen AG TH 14 578348 2 190,00 JANSEN COMISA TH 16 578352 R 2 190,00 TH 20 578358 R 2 190,00 TH 26 578362 R 2 190,00 TH 32 578364 2 190,00 TH 40 578624 2 900,00 TH 14 S (PR-2B)** Mini Z8 574778 R 1 540,00 TH 16 S (PR-2B)** Mini Z8 574782 R 1 540,00 TH 20 S (PR-2B)** Mini Z8 574788 R 1 540,00 TH 26 S (PR-2B)** Mini Z8 574794 R 1 540,00 TH 32 S (PR-2B) Mini Z8 574798 R 1 700,00 <hr/> Jaraflex- TH 14 578348 2 190,00 Presssystem TH 16 578352 R 2 190,00 TH 17 578354 2 190,00 TH 18 578356 2 190,00 TH 20 578358 R 2 190,00 TH 25 578360 2 190,00 TH 26 578362 R 2 190,00 TH 32 578364 2 190,00 TH 40 578624 2 900,00 TH 14 S (PR-2B)** Mini Z8 574778 R 1 540,00 TH 16 S (PR-2B)** Mini Z8 574782 R 1 540,00 TH 17 S (PR-2B)** Mini Z8 574784 R 1 540,00 TH 18 S (PR-2B)** Mini Z8 574786 R 1 540,00 TH 20 S (PR-2B)** Mini Z8 574788 R 1 540,00 TH 25 S (PR-2B)** Mini Z8 574792 R 1 540,00 TH 26 S (PR-2B)** Mini Z8 574794 R 1 540,00 TH 32 S (PR-2B) Mini Z8 574798 R 1 700,00 <hr/> JUNGWOO VUS ½" (OD 15,9 mm) 578566 2 200,00 JWPress VUS ¾" (OD 22,2 mm) 578568 2 200,00 VUS 1" (OD 28,6 mm) 578570 2 200,00 VUS 1¼" (OD 34,9 mm) 578606 2 200,00				
Plastic Multi Press	TH 20		578358 R	2 190,00					
PMP	TH 25		578360	2 190,00					
	TH 26		578362 R	2 190,00					
	TH 32		578364	2 190,00					
	TH 16 S (PR-2B)**	Mini Z8	574782 R	1 540,00					
	TH 20 S (PR-2B)**	Mini Z8	574788 R	1 540,00					
	TH 25 S (PR-2B)**	Mini Z8	574792 R	1 540,00					
	TH 26 S (PR-2B)**	Mini Z8	574794 R	1 540,00					
	TH 32 S (PR-2B)	Mini Z8	574798 R	1 700,00					
	F 16		578456	2 090,00					
	F 20		578460	2 090,00					
	F 26		578462	2 260,00					
	F 32		578464	2 260,00					
	F 16 S (PR-2B)**	Mini Z8	574728 R	1 540,00					
	F 20 S (PR-2B)**	Mini Z8	574730 R	1 540,00					
	F 26 S (PR-2B)**	Mini Z8	574732 R	1 540,00					
	F 32 S (PR-2B)	Mini Z8	574734 R	1 700,00					
	H 16		578400	1 980,00					
	H 20		578406	1 980,00					
	H 25		578408	1 980,00					
	H 26		578410	1 980,00					
	H 32		578412	1 980,00					
	U 16		578374	2 050,00					
	U 20		578378	2 050,00					
	U 25		578380	2 050,00					
	U 26 ⁷⁾		578392	2 410,00					
	U 32		578382	2 410,00					
	B 16		578468	2 390,00					
	B 20		578472	2 390,00					
	B 26		578474	2 640,00					
	B 32		578476	2 640,00					
IVAR	TH 16		578352 R	2 190,00					
Plastic Multi Press	TH 20		578358 R	2 190,00					
Leak (PMPL)	TH 26		578362 R	2 190,00					
	TH 32		578364	2 190,00					
	TH 16 S (PR-2B)**	Mini Z8	574782 R	1 540,00					
	TH 20 S (PR-2B)**	Mini Z8	574788 R	1 540,00					
	TH 26 S (PR-2B)**	Mini Z8	574794 R	1 540,00					
	TH 32 S (PR-2B)	Mini Z8	574798 R	1 700,00					
	F 16		578456	2 090,00					
	F 20		578460	2 090,00					
	F 26		578462	2 260,00					
	F 32		578464	2 260,00					
	F 16 S (PR-2B)**	Mini Z8	574728 R	1 540,00					
	F 20 S (PR-2B)**	Mini Z8	574730 R	1 540,00					
	F 26 S (PR-2B)**	Mini Z8	574732 R	1 540,00					
	F 32 S (PR-2B)	Mini Z8	574734 R	1 700,00					
	H 16		578400	1 980,00					
	H 20		578406	1 980,00					
	H 26		578410	1 980,00					
	H 32		578412	1 980,00					
	U 16		578374	2 050,00					
	U 20		578378	2 050,00					
	U 25		578380	2 050,00					
	U 26 ⁷⁾		578392	2 410,00					
	U 32		578382	2 410,00					
	B 16		578468	2 390,00					
	B 20		578472	2 390,00					
	B 26		578474	2 640,00					
	B 32		578476	2 640,00					
IVT Edelstahl-Presssystem	M 15		578312	1 820,00					
	M 18		578314	1 820,00					
	M 22		578316	1 820,00					
	M 28		578318	1 820,00					
	M 35		578390	2 210,00					
	M 15 S (PR-2B)	Mini Z8	574738 R	1 540,00					
	M 18 S (PR-2B)	Mini Z8	574740 R	1 540,00					
	M 22 S (PR-2B)	Mini Z8	574742 R	1 540,00					
	M 28 S (PR-2B)	Mini Z8	574744 R	1 540,00					
	M 35 S (PR-2B)	Mini Z8	574746 R	1 700,00					
IVT PRIPRESS	TH 16		578352 R	2 190,00					
	TH 20		578358 R	2 190,00					
	TH 26		578362 R	2 190,00					
	TH 32		578364	2 190,00					
	TH 40		578624	2 900,00					
	TH 16 S (PR-2B)**	Mini Z8	574782 R	1 540,00					
	TH 20 S (PR-2B)**	Mini Z8	574788 R	1 540,00					
	TH 26 S (PR-2B)**	Mini Z8	574794 R	1 540,00					
	TH 32 S (PR-2B)	Mini Z8	574798 R	1 700,00					

Pressfitting systems for gas installations may only be pressed with the pressing tongs Mini which are highlighted in yellow in the table.

Observe the national regulations. Read and observe the system provider's/manufacturer's instructions for use and assembly instructions.

** Can also be driven by the ROLLER'S Easy-Press manual radial press using the Z8 adapter tongs, see page 90. Observe the national regulations.

¹⁾ Only pressing tongs from designation "108" (1st quarter of 2008), "208" (2nd quarter of 2008) etc. can be used. The designation is stamped on every pressing jaw.

²⁾ For accommodating suitable pressing inserts.

³⁾ Only pressing tongs from designation "117" (1st quarter of 201), "217" (2nd quarter of 2017) etc. can be used. The designation is stamped on every pressing jaw.

⁴⁾ For pipes with the EN technical standard. Observe the system provider's/manufacturer's instructions for use.

⁵⁾ Only use Mini pressing tongs identified by "VMP ½" G" on the pressing jaws for gas installations.

⁷⁾ Previous designation: Mini C 26 pressing tongs

⁹⁾ For pipes with the ASTM technical standard. Observe the system provider's/manufacturer's instructions for use.

Suitability of the ROLLER'S pressing tools for pressfitting systems: Status 27.10.2023. The current status can be found on the Internet:

www.albert-roller.de → Downloads → Product Catalogues, Brochures → ROLLER Catalogue.

See page 79 for adapter tongs. Pressing tongs/pressing rings for other press fitting systems on request.

ROLLER'S pressing tongs Mini / pressing rings

Accessory for ROLLER'S 22kN radial presses

System	Pressing tongs Mini/pressing rings	Drive with adapter tongs	Art.-No.	Kr	
SANHA 3fit-Press Pb-free Serie 25000	B 16		578468	2 390,00	
	B 20		578472	2 390,00	
	B 26		578474	2 640,00	
	B 32		578476	2 640,00	
	F 16		578456	2 090,00	
	F 20		578460	2 090,00	
	F 26		578462	2 260,00	
	F 32		578464	2 260,00	
	Fz 40		578478	3 060,00	
	F 16 S (PR-2B)**	Mini Z8	574728 R	1 540,00	
	F 20 S (PR-2B)**	Mini Z8	574730 R	1 540,00	
	F 26 S (PR-2B)**	Mini Z8	574732 R	1 540,00	
	F 32 S (PR-2B)	Mini Z8	574734 R	1 700,00	
	H 16		578400	1 980,00	
	H 20		578406	1 980,00	
	H 26		578410	1 980,00	
	H 32		578412	1 980,00	
	TH 16		578352 R	2 190,00	
	TH 20		578358 R	2 190,00	
	TH 26		578362 R	2 190,00	
	TH 32		578364	2 190,00	
	TH 40		578624	2 900,00	
	TH 16 S (PR-2B)**	Mini Z8	574782 R	1 540,00	
	TH 20 S (PR-2B)**	Mini Z8	574788 R	1 540,00	
	TH 26 S (PR-2B)**	Mini Z8	574794 R	1 540,00	
	TH 32 S (PR-2B)	Mini Z8	574798 R	1 700,00	
	U 16		578374	2 050,00	
	U 20		578378	2 050,00	
	U 26 ⁷⁾		578392	2 410,00	
	U 32		578382	2 410,00	
	U 40		578386	2 930,00	
	SANHA 3fit-Press PPSU Serie 35000	B 16		578468	2 390,00
		B 20		578472	2 390,00
		B 26		578474	2 640,00
		B 32		578476	2 640,00
		F 16		578456	2 090,00
		F 20		578460	2 090,00
		F 26		578462	2 260,00
F 32			578464	2 260,00	
F 16 S (PR-2B)**		Mini Z8	574728 R	1 540,00	
F 20 S (PR-2B)**		Mini Z8	574730 R	1 540,00	
F 26 S (PR-2B)**		Mini Z8	574732 R	1 540,00	
F 32 S (PR-2B)		Mini Z8	574734 R	1 700,00	
H 16			578400	1 980,00	
H 20			578406	1 980,00	
H 26			578410	1 980,00	
H 32			578412	1 980,00	
TH 16			578352 R	2 190,00	
TH 20			578358 R	2 190,00	
TH 26			578362 R	2 190,00	
TH 32			578364	2 190,00	
TH 16 S (PR-2B)**		Mini Z8	574782 R	1 540,00	
TH 20 S (PR-2B)**		Mini Z8	574788 R	1 540,00	
TH 26 S (PR-2B)**		Mini Z8	574794 R	1 540,00	
TH 32 S (PR-2B)		Mini Z8	574798 R	1 700,00	
U 16			578374	2 050,00	
U 20			578378	2 050,00	
U 26 ⁷⁾			578392	2 410,00	
U 32			578382	2 410,00	
SANHA Heavy Steel Press		VMP ½" G (OD 21,3 mm)		578666 R	2 530,00
		VMPz ¾" (OD 26,9 mm)		578664	2 530,00
SANHA Heavy Steel Press Gas		VMP ½" G (OD 21,3 mm) ⁶⁾		578666 R	2 530,00
		VMPz ¾" (OD 26,9 mm)		578664	2 530,00
SANHA-NiroSan Gas Presssystem Serie 17000		SA 15		578514	2 190,00
		SA 18		578518	2 190,00
		SA 22		578520	2 190,00
		SA 28		578522	2 190,00
		M 15 ¹⁾		578312	1 820,00
		M 18 ¹⁾		578314	1 820,00
	M 22 ¹⁾		578316	1 820,00	
	M 28		578318	1 820,00	
	M 35		578390	2 210,00	
	M 15 S (PR-2B)	Mini Z8	574738 R	1 540,00	
	M 18 S (PR-2B)	Mini Z8	574740 R	1 540,00	
	M 22 S (PR-2B)	Mini Z8	574742 R	1 540,00	
	M 28 S (PR-2B)	Mini Z8	574744 R	1 540,00	
	M 35 S (PR-2B)	Mini Z8	574746 R	1 700,00	
	V 15 ¹⁾		578328	1 820,00	
	V 18 ¹⁾		578332	1 820,00	
	V 22 ¹⁾		578334	1 820,00	
	V 28		578336	1 820,00	
	V 35		578604	2 210,00	
	V 15 S (PR-2B)	Mini Z8	574752 R	1 540,00	
	V 18 S (PR-2B)	Mini Z8	574756 R	1 540,00	
	V 22 S (PR-2B)	Mini Z8	574758 R	1 540,00	
	V 28 S (PR-2B)	Mini Z8	574760 R	1 540,00	
	V 35 S (PR-2B)	Mini Z8	574762 R	1 700,00	

System	Pressing tongs Mini/pressing rings	Drive with adapter tongs	Art.-No.	Kr	
SANHA-NiroSan Industry Presssystem Serie 18000	SA 15		578514	2 190,00	
	SA 18		578518	2 190,00	
	SA 22		578520	2 190,00	
	SA 28		578522	2 190,00	
	M 15 ¹⁾		578312	1 820,00	
	M 18 ¹⁾		578314	1 820,00	
	M 22 ¹⁾		578316	1 820,00	
	M 28		578318	1 820,00	
	M 35		578390	2 210,00	
	M 15 S (PR-2B)	Mini Z8	574738 R	1 540,00	
	M 18 S (PR-2B)	Mini Z8	574740 R	1 540,00	
	M 22 S (PR-2B)	Mini Z8	574742 R	1 540,00	
	M 28 S (PR-2B)	Mini Z8	574744 R	1 540,00	
	M 35 S (PR-2B)	Mini Z8	574746 R	1 700,00	
	V 15 ¹⁾		578328	1 820,00	
	V 18 ¹⁾		578332	1 820,00	
	V 22 ¹⁾		578334	1 820,00	
	V 28		578336	1 820,00	
	V 35		578604	2 210,00	
	V 15 S (PR-2B)	Mini Z8	574752 R	1 540,00	
	V 18 S (PR-2B)	Mini Z8	574756 R	1 540,00	
	V 22 S (PR-2B)	Mini Z8	574758 R	1 540,00	
	V 28 S (PR-2B)	Mini Z8	574760 R	1 540,00	
	V 35 S (PR-2B)	Mini Z8	574762 R	1 700,00	
	SANHA-NiroSan- Presssystem Serie 9000	SA 15		578514	2 190,00
		SA 18		578518	2 190,00
		SA 22		578520	2 190,00
		SA 28		578522	2 190,00
		M 15 ¹⁾		578312	1 820,00
M 18 ¹⁾			578314	1 820,00	
M 22 ¹⁾			578316	1 820,00	
M 28			578318	1 820,00	
M 35			578390	2 210,00	
M 15 S (PR-2B)		Mini Z8	574738 R	1 540,00	
M 18 S (PR-2B)		Mini Z8	574740 R	1 540,00	
M 22 S (PR-2B)		Mini Z8	574742 R	1 540,00	
M 28 S (PR-2B)		Mini Z8	574744 R	1 540,00	
M 35 S (PR-2B)		Mini Z8	574746 R	1 700,00	
V 15 ¹⁾			578328	1 820,00	
V 18 ¹⁾			578332	1 820,00	
V 22 ¹⁾			578334	1 820,00	
V 28			578336	1 820,00	
V 35			578604	2 210,00	
V 15 S (PR-2B)		Mini Z8	574752 R	1 540,00	
V 18 S (PR-2B)		Mini Z8	574756 R	1 540,00	
V 22 S (PR-2B)		Mini Z8	574758 R	1 540,00	
V 28 S (PR-2B)		Mini Z8	574760 R	1 540,00	
V 35 S (PR-2B)		Mini Z8	574762 R	1 700,00	
SANHA-NiroSan SF Presssystem Serie 19000 (silicone free)		SA 15		578514	2 190,00
		SA 18		578518	2 190,00
		SA 22		578520	2 190,00
		SA 28		578522	2 190,00
		M 15 ¹⁾		578312	1 820,00
	M 18 ¹⁾		578314	1 820,00	
	M 22 ¹⁾		578316	1 820,00	
	M 28		578318	1 820,00	
	M 35		578390	2 210,00	
	M 15 S (PR-2B)	Mini Z8	574738 R	1 540,00	
	M 18 S (PR-2B)	Mini Z8	574740 R	1 540,00	
	M 22 S (PR-2B)	Mini Z8	574742 R	1 540,00	
	M 28 S (PR-2B)	Mini Z8	574744 R	1 540,00	
	M 35 S (PR-2B)	Mini Z8	574746 R	1 700,00	
	V 15 ¹⁾		578328	1 820,00	
	V 18 ¹⁾		578332	1 820,00	
	V 22 ¹⁾		578334	1 820,00	
	V 28		578336	1 820,00	
	V 35		578604	2 210,00	
	V 15 S (PR-2B)	Mini Z8	574752 R	1 540,00	
	V 18 S (PR-2B)	Mini Z8	574756 R	1 540,00	
	V 22 S (PR-2B)	Mini Z8	574758 R	1 540,00	
	V 28 S (PR-2B)	Mini Z8	574760 R	1 540,00	
	V 35 S (PR-2B)	Mini Z8	574762 R	1 700,00	
	SANHA NiroTherm Serie 91000	SA 15		578514	2 190,00
		SA 18		578518	2 190,00
		SA 22		578520	2 190,00
		SA 28		578522	2 190,00
		M 15 ¹⁾		578312	1 820,00
M 18 ¹⁾			578314	1 820,00	
M 22 ¹⁾			578316	1 820,00	
M 28			578318	1 820,00	
M 35			578390	2 210,00	
M 15 S (PR-2B)		Mini Z8	574738 R	1 540,00	
M 18 S (PR-2B)		Mini Z8	574740 R	1 540,00	
M 22 S (PR-2B)		Mini Z8	574742 R	1 540,00	
M 28 S (PR-2B)		Mini Z8	574744 R	1 540,00	
M 35 S (PR-2B)		Mini Z8	574746 R	1 700,00	
V 15 ¹⁾			578328	1 820,00	
V 18 ¹⁾			578332	1 820,00	
V 22 ¹⁾			578334	1 820,00	
V 28			578336	1 820,00	
V 35			578604	2 210,00	
V 15 S (PR-2B)		Mini Z8	574752 R	1 540,00	
V 18 S (PR-2B)		Mini Z8	574756 R	1 540,00	
V 22 S (PR-2B)		Mini Z8	574758 R	1 540,00	
V 28 S (PR-2B)		Mini Z8	574760 R	1 540,00	
V 35 S (PR-2B)		Mini Z8	574762 R	1 700,00	

System	Pressing tongs Mini/pressing rings	Drive with adapter tongs	Art.-No.	kr	System	Pressing tongs Mini/pressing rings	Drive with adapter tongs	Art.-No.	kr
SANHA NiroTherm Industry Serie 98000	SA 15		578514	2 190,00	SANHA-Press Pressfittings Serie 6000	SA 12		578510	3 170,00
	SA 18		578518	2 190,00		SA 14		578512	3 170,00
	SA 22		578520	2 190,00		SA 15		578514	2 190,00
	SA 28		578522	2 190,00		SA 16		578516	2 190,00
	M 15 ¹⁾		578312	1 820,00		SA 18		578518	2 190,00
	M 18 ¹⁾		578314	1 820,00		SA 22		578520	2 190,00
	M 22 ¹⁾		578316	1 820,00		SA 28		578522	2 190,00
	M 28		578318	1 820,00		M 12		578310	1 820,00
	M 35		578390	2 210,00		M 15 ¹⁾		578312	1 820,00
	M 15 S (PR-2B)	Mini Z8	574738 R	1 540,00		M 18 ¹⁾		578314	1 820,00
	M 18 S (PR-2B)	Mini Z8	574740 R	1 540,00		M 22 ¹⁾		578316	1 820,00
	M 22 S (PR-2B)	Mini Z8	574742 R	1 540,00		M 28		578318	1 820,00
	M 28 S (PR-2B)	Mini Z8	574744 R	1 540,00		M 35		578390	2 210,00
	M 35 S (PR-2B)	Mini Z8	574746 R	1 700,00		M 12 S (PR-2B)	Mini Z8	574736 R	1 540,00
	V 15 ¹⁾		578328	1 820,00		M 15 S (PR-2B)	Mini Z8	574738 R	1 540,00
	V 18 ¹⁾		578332	1 820,00		M 18 S (PR-2B)	Mini Z8	574740 R	1 540,00
	V 22 ¹⁾		578334	1 820,00		M 22 S (PR-2B)	Mini Z8	574742 R	1 540,00
	V 28		578336	1 820,00		M 28 S (PR-2B)	Mini Z8	574744 R	1 540,00
	V 35		578604	2 210,00		M 35 S (PR-2B)	Mini Z8	574746 R	1 700,00
	V 15 S (PR-2B)	Mini Z8	574752 R	1 540,00		V 12		578324	1 820,00
	V 18 S (PR-2B)	Mini Z8	574756 R	1 540,00		V 14		578326	1 820,00
	V 22 S (PR-2B)	Mini Z8	574758 R	1 540,00		VG 14		578338	1 820,00
	V 28 S (PR-2B)	Mini Z8	574760 R	1 540,00		V 15 ¹⁾		578328	1 820,00
	V 35 S (PR-2B)	Mini Z8	574762 R	1 700,00		V 16		578330	1 820,00
SA 12		578510	3 170,00	VG 16		578340	1 820,00		
SA 15		578514	2 190,00	V 18 ¹⁾		578332	1 820,00		
SA 18		578518	2 190,00	V 22 ¹⁾		578334	1 820,00		
SA 22		578520	2 190,00	V 28		578336	1 820,00		
SA 28		578522	2 190,00	V 35		578604	2 210,00		
M 12		578310	1 820,00	V 12 S (PR-2B)	Mini Z8	574748 R	1 540,00		
M 15 ¹⁾		578312	1 820,00	VG 14 S (PR-2B)	Mini Z8	574750 R	1 540,00		
M 18 ¹⁾		578314	1 820,00	V 15 S (PR-2B)	Mini Z8	574752 R	1 540,00		
M 22 ¹⁾		578316	1 820,00	VG 16 S (PR-2B)	Mini Z8	574754 R	1 540,00		
M 28		578318	1 820,00	V 18 S (PR-2B)	Mini Z8	574756 R	1 540,00		
M 12 S (PR-2B)	Mini Z8	574736 R	1 540,00	V 22 S (PR-2B)	Mini Z8	574758 R	1 540,00		
M 15 S (PR-2B)	Mini Z8	574738 R	1 540,00	V 28 S (PR-2B)	Mini Z8	574760 R	1 540,00		
M 18 S (PR-2B)	Mini Z8	574740 R	1 540,00	V 35 S (PR-2B)	Mini Z8	574762 R	1 700,00		
M 22 S (PR-2B)	Mini Z8	574742 R	1 540,00	SANHA-Press	SA 12	578510	3 170,00		
M 28 S (PR-2B)	Mini Z8	574744 R	1 540,00	SOLAR	SA 15	578514	2 190,00		
V 12		578324	1 820,00	Pressfittings	SA 18	578518	2 190,00		
V 15 ¹⁾		578328	1 820,00	Serie 12000/	SA 22	578520	2 190,00		
V 18 ¹⁾		578332	1 820,00	Serie 13000	SA 28	578522	2 190,00		
V 22 ¹⁾		578334	1 820,00	M 12		578310	1 820,00		
V 28		578336	1 820,00	M 15 ¹⁾		578312	1 820,00		
V 35		578604	2 210,00	M 18 ¹⁾		578314	1 820,00		
V 12 S (PR-2B)	Mini Z8	574748 R	1 540,00	M 22 ¹⁾		578316	1 820,00		
VG 14 S (PR-2B)	Mini Z8	574750 R	1 540,00	M 28		578318	1 820,00		
V 15 S (PR-2B)	Mini Z8	574752 R	1 540,00	M 35		578390	2 210,00		
VG 16 S (PR-2B)	Mini Z8	574754 R	1 540,00	M 12 S (PR-2B)	Mini Z8	574736 R	1 540,00		
V 18 S (PR-2B)	Mini Z8	574756 R	1 540,00	M 15 S (PR-2B)	Mini Z8	574738 R	1 540,00		
V 22 S (PR-2B)	Mini Z8	574758 R	1 540,00	M 18 S (PR-2B)	Mini Z8	574740 R	1 540,00		
V 28 S (PR-2B)	Mini Z8	574760 R	1 540,00	M 22 S (PR-2B)	Mini Z8	574742 R	1 540,00		
V 35 S (PR-2B)	Mini Z8	574762 R	1 700,00	M 28 S (PR-2B)	Mini Z8	574744 R	1 540,00		
				M 35 S (PR-2B)	Mini Z8	574746 R	1 700,00		
				V 12		578324	1 820,00		
				V 14		578326	1 820,00		
				VG 14		578338	1 820,00		
				V 15 ¹⁾		578328	1 820,00		
				V 16		578330	1 820,00		
				VG 16		578340	1 820,00		
				V 18 ¹⁾		578332	1 820,00		
				V 22 ¹⁾		578334	1 820,00		
				V 28		578336	1 820,00		
				V 35		578604	2 210,00		
				V 12 S (PR-2B)	Mini Z8	574748 R	1 540,00		
				VG 14 S (PR-2B)	Mini Z8	574750 R	1 540,00		
				V 15 S (PR-2B)	Mini Z8	574752 R	1 540,00		
				VG 16 S (PR-2B)	Mini Z8	574754 R	1 540,00		
				V 18 S (PR-2B)	Mini Z8	574756 R	1 540,00		
				V 22 S (PR-2B)	Mini Z8	574758 R	1 540,00		
				V 28 S (PR-2B)	Mini Z8	574760 R	1 540,00		
				V 35 S (PR-2B)	Mini Z8	574762 R	1 700,00		

Pressfitting systems for gas installations may only be pressed with the pressing tongs Mini which are highlighted in yellow in the table.

Observe the national regulations. Read and observe the system provider's/manufacture's instructions for use and assembly instructions.

** Can also be driven by the ROLLER'S Easy-Press manual radial press using the Z8 adapter tongs, see page 90. Observe the national regulations.

¹⁾ Only pressing tongs from designation "108" (1st quarter of 2008), "208" (2nd quarter of 2008) etc. can be used. The designation is stamped on every pressing jaw.

²⁾ For accommodating suitable pressing inserts.

³⁾ Only pressing tongs from designation "117" (1st quarter of 201), "217" (2nd quarter of 2017) etc. can be used. The designation is stamped on every pressing jaw.

⁴⁾ For pipes with the EN technical standard. Observe the system provider's/manufacture's instructions for use.

⁵⁾ Only use Mini pressing tongs identified by "VMP ½" G" on the pressing jaws for gas installations.

⁷⁾ Previous designation: Mini C 26 pressing tongs

⁹⁾ For pipes with the ASTM technical standard. Observe the system provider's/manufacture's instructions for use.

Suitability of the ROLLER'S pressing tools for pressfitting systems: Status 27.10.2023. The current status can be found on the Internet:

www.albert-roller.de → Downloads → Product Catalogues, Brochures → ROLLER Catalogue.

See page 79 for adapter tongs. Pressing tongs/pressing rings for other press fitting systems on request.

System	Pressing tongs Mini/pressing rings	Drive with adapter tongs	Art.-No.	kr	
STANDARD HIDRAULICA MultiStandard	H 16		578400	1 980,00	
	H 20		578406	1 980,00	
	H 25		578408	1 980,00	
	H 32		578412	1 980,00	
	RFz 16		578492	2 280,00	
	RFz 20		578494	2 280,00	
	RFz 25		578496	2 280,00	
	RFz 32		578498	2 280,00	
	TH 16		578352 R	2 190,00	
	TH 20		578358 R	2 190,00	
	TH 25		578360	2 190,00	
	TH 32		578364	2 190,00	
	TH 16 S (PR-2B)**	Mini Z8	574782 R	1 540,00	
	TH 20 S (PR-2B)**	Mini Z8	574788 R	1 540,00	
	TH 25 S (PR-2B)**	Mini Z8	574792 R	1 540,00	
	TH 32 S (PR-2B)**	Mini Z8	574798 R	1 700,00	
	U 16		578374	2 050,00	
	U 18		578376	2 050,00	
	U 20		578378	2 050,00	
	U 25		578380	2 050,00	
	U 32		578382	2 410,00	
	U 40		578386	2 930,00	
	steeltrade Presssystem Edelstahl Kontur M	M 15		578312	1 820,00
M 18 ¹⁾			578314	1 820,00	
M 22			578316	1 820,00	
M 28 ¹⁾			578318	1 820,00	
M 35			578390	2 210,00	
M 15 S (PR-2B)		Mini Z8	574738 R	1 540,00	
M 18 S (PR-2B)		Mini Z8	574740 R	1 540,00	
M 22 S (PR-2B)		Mini Z8	574742 R	1 540,00	
M 28 S (PR-2B)		Mini Z8	574744 R	1 540,00	
M 35 S (PR-2B)		Mini Z8	574746 R	1 700,00	
STELBI Polikraft	H 16		578400	1 980,00	
	H 20		578406	1 980,00	
	H 26		578410	1 980,00	
	TH 16		578352 R	2 190,00	
	TH 20		578358 R	2 190,00	
	TH 26		578362 R	2 190,00	
	TH 32		578364	2 190,00	
	TH 40		578624	2 900,00	
	TH 16 S (PR-2B)**	Mini Z8	574782 R	1 540,00	
	TH 20 S (PR-2B)**	Mini Z8	574788 R	1 540,00	
	TH 26 S (PR-2B)**	Mini Z8	574794 R	1 540,00	
	TH 32 S (PR-2B)	Mini Z8	574798 R	1 700,00	
	U 16		578374	2 050,00	
	U 20		578378	2 050,00	
	U 26 ⁷⁾		578392	2 410,00	
	STELBI Stelgas	TH 16		578352 R	2 190,00
		TH 20		578358 R	2 190,00
TH 26			578362 R	2 190,00	
TH 16 S (PR-2B)**		Mini Z8	574782 R	1 540,00	
TH 20 S (PR-2B)**		Mini Z8	574788 R	1 540,00	
TH 26 S (PR-2B)**	Mini Z8	574794 R	1 540,00		
STH Westco COPPER PRESS	M 15		578312	1 820,00	
	M 22		578316	1 820,00	
	M 28		578318	1 820,00	
	M 35		578390	2 210,00	
	M 15 S (PR-2B)	Mini Z8	574738 R	1 540,00	
	M 22 S (PR-2B)	Mini Z8	574742 R	1 540,00	
	M 28 S (PR-2B)	Mini Z8	574744 R	1 540,00	
M 35 S (PR-2B)	Mini Z8	574746 R	1 700,00		
T					
TDM BRASS Serie 1600	H 16		578400	1 980,00	
	H 18		578404	1 980,00	
	H 20		578406	1 980,00	
	H 25		578408	1 980,00	
	H 26		578410	1 980,00	
	H 32		578412	1 980,00	
	TH 16		578352 R	2 190,00	
	TH 18		578356	2 190,00	
	TH 20		578358 R	2 190,00	
	TH 25		578360	2 190,00	
	TH 26		578362 R	2 190,00	
	THL 32		578368	2 190,00	
	TH 40		578624	2 900,00	
	TH 16 S (PR-2B)**	Mini Z8	574782 R	1 540,00	
	TH 18 S (PR-2B)**	Mini Z8	574786 R	1 540,00	
	TH 20 S (PR-2B)**	Mini Z8	574788 R	1 540,00	
	TH 25 S (PR-2B)**	Mini Z8	574792 R	1 540,00	
	TH 26 S (PR-2B)**	Mini Z8	574794 R	1 540,00	
	U 16		578374	2 050,00	
	U 18		578376	2 050,00	
	U 20		578378	2 050,00	
	U 25		578380	2 050,00	
	U 26 ⁷⁾		578392	2 410,00	
U 32		578382	2 410,00		

System	Pressing tongs Mini/pressing rings	Drive with adapter tongs	Art.-No.	kr	
TDM BRASS Serie 2600	H 16		578400	1 980,00	
	H 18		578404	1 980,00	
	H 20		578406	1 980,00	
	H 25		578408	1 980,00	
	H 26		578410	1 980,00	
	H 32		578412	1 980,00	
	TH 16		578352 R	2 190,00	
	TH 18		578356	2 190,00	
	TH 20		578358 R	2 190,00	
	TH 25		578360	2 190,00	
	TH 26		578362 R	2 190,00	
	THL 32		578368	2 190,00	
	TH 16 S (PR-2B)**	Mini Z8	574782 R	1 540,00	
	TH 18 S (PR-2B)**	Mini Z8	574786 R	1 540,00	
	TH 20 S (PR-2B)**	Mini Z8	574788 R	1 540,00	
	TH 25 S (PR-2B)**	Mini Z8	574792 R	1 540,00	
	TH 26 S (PR-2B)**	Mini Z8	574794 R	1 540,00	
	U 16		578374	2 050,00	
	U 18		578376	2 050,00	
	U 20		578378	2 050,00	
	U 25		578380	2 050,00	
	U 26 ⁷⁾		578392	2 410,00	
	U 32		578382	2 410,00	
	TDM BRASS Serie 1700 gas	TH 16		578352 R	2 190,00
		TH 20		578358 R	2 190,00
TH 26			578362 R	2 190,00	
THL 32			578368	2 190,00	
TH 16 S (PR-2B)**		Mini Z8	574782 R	1 540,00	
TH 20 S (PR-2B)**		Mini Z8	574788 R	1 540,00	
TH 26 S (PR-2B)**		Mini Z8	574794 R	1 540,00	
TermoConcept TC-PRESS	Basic E01 ²⁾		578618	3 780,00	
THERMOLUTZ	H 14		578398	1 980,00	
	H 16		578400	1 980,00	
	TH 20		578358 R	2 190,00	
	TH 20 S (PR-2B)**	Mini Z8	574788 R	1 540,00	
TE-SA TE-SA press serie 800	TH 14		578348	2 190,00	
	TH 16		578352 R	2 190,00	
	TH 18		578356	2 190,00	
	TH 20		578358 R	2 190,00	
	TH 26		578362 R	2 190,00	
	TH 32		578364	2 190,00	
	TH 40		578624	2 900,00	
	TH 14 S (PR-2B)**	Mini Z8	574778 R	1 540,00	
	TH 16 S (PR-2B)**	Mini Z8	574782 R	1 540,00	
	TH 18 S (PR-2B)**	Mini Z8	574786 R	1 540,00	
TH 20 S (PR-2B)**	Mini Z8	574788 R	1 540,00		
TH 26 S (PR-2B)**	Mini Z8	574794 R	1 540,00		
TH 32 S (PR-2B)	Mini Z8	574798 R	1 700,00		
THERMACOME ACOPEXALU	H 16		578400	1 980,00	
	H 20		578406	1 980,00	
	H 26		578410	1 980,00	
	H 32		578412	1 980,00	
	TH 16		578352 R	2 190,00	
	TH 20		578358 R	2 190,00	
	TH 26		578362 R	2 190,00	
	TH 32		578364	2 190,00	
	U 16		578374	2 050,00	
	U 20		578378	2 050,00	
U 32		578382	2 410,00		
TIEMME 1650 AL-COBRAPEX	TH 14		578348	2 190,00	
	TH 16		578352 R	2 190,00	
	TH 18		578356	2 190,00	
	TH 20		578358 R	2 190,00	
	TH 25		578360	2 190,00	
	TH 26		578362 R	2 190,00	
	THL 32		578368	2 190,00	
	TH 40		578624	2 900,00	
	TH 14 S (PR-2B)**	Mini Z8	574778 R	1 540,00	
	TH 16 S (PR-2B)**	Mini Z8	574782 R	1 540,00	
	TH 18 S (PR-2B)**	Mini Z8	574786 R	1 540,00	
	TH 20 S (PR-2B)**	Mini Z8	574788 R	1 540,00	
TH 25 S (PR-2B)**	Mini Z8	574792 R	1 540,00		
TH 26 S (PR-2B)**	Mini Z8	574794 R	1 540,00		
TIEMME 1700 COBRAPEX	RFz 12		578490	2 280,00	
	RFz 16		578492	2 280,00	
	RFz 20		578494	2 280,00	
	RFz 25		578496	2 280,00	
	RFz 32		578498	2 280,00	
	TH 40		578624	2 900,00	

Pressfitting systems for gas installations may only be pressed with the pressing tongs Mini which are highlighted in yellow in the table.

Observe the national regulations. Read and observe the system provider's/manufacturer's instructions for use and assembly instructions.

** Can also be driven by the ROLLER'S Easy-Press manual radial press using the Z8 adapter tongs, see page 90. Observe the national regulations.

¹⁾ Only pressing tongs from designation "108" (1st quarter of 2008), "208" (2nd quarter of 2008) etc. can be used. The designation is stamped on every pressing jaw.

²⁾ For accommodating suitable pressing inserts.

³⁾ Only pressing tongs from designation "117" (1st quarter of 201), "217" (2nd quarter of 2017) etc. can be used. The designation is stamped on every pressing jaw.

⁴⁾ For pipes with the EN technical standard. Observe the system provider's/manufacturer's instructions for use.

⁵⁾ Only use Mini pressing tongs identified by "VMP 1/2" G" on the pressing jaws for gas installations.

⁷⁾ Previous designation: Mini C 26 pressing tongs

⁹⁾ For pipes with the ASTM technical standard. Observe the system provider's/manufacturer's instructions for use.

Suitability of the ROLLER'S pressing tools for pressfitting systems: Status 27.10.2023. The current status can be found on the Internet: www.albert-roller.de → Downloads → Product Catalogues, Brochures → ROLLER Catalogue. See page 79 for adapter tongs. Pressing tongs/pressing rings for other press fitting systems on request.

System	Pressing tongs Mini/pressing rings	Drive with adapter tongs	Art.-No.	kr	System	Pressing tongs Mini/pressing rings	Drive with adapter tongs	Art.-No.	kr	
Van Marcke NV SYSTEMPEX	TH 16		578352 R	2 190,00	Viega MegaPress 316 FKM (ASTM) ⁹⁾	VMP ½" G (OD 21,3 mm)		578666 R	2 530,00	
	TH 20		578358 R	2 190,00		VMPz ¾" (OD 26,9 mm)		578664	2 530,00	
	TH 26		578362 R	2 190,00					182,50	
	TH 32		578364	2 190,00		Viega MegaPress CuNi (ASTM) ⁹⁾	VMP ½" G (OD 21,3 mm)		578666 R	2 530,00
	TH 40		578624	2 900,00		VMPz ¾" (OD 26,9 mm)		578664	2 530,00	
	TH 16 S (PR-2B)**	Mini Z8	574782 R	1 540,00		Viega MegaPress FKM (ASTM) ⁹⁾	VMP ½" G (OD 21,3 mm)		578666 R	2 530,00
	TH 20 S (PR-2B)**	Mini Z8	574788 R	1 540,00		VMPz ¾" (OD 26,9 mm)		578664	2 530,00	
	TH 26 S (PR-2B)**	Mini Z8	574794 R	1 540,00		Viega MegaPress G (ASTM) ⁹⁾	VMP ½" G (OD 21,3 mm)		578666 R	2 530,00
	TH 32 S (PR-2B)	Mini Z8	574798 R	1 700,00		VMPz ¾" (OD 26,9 mm)		578664	2 530,00	
	Van Marcke NV Tubipress	M 12		578310		1 820,00	Viega Megapress (EN) ⁴⁾	VMP ¾" (OD 17,2 mm)		578660
M 15			578312	1 820,00	VMP ½" G (OD 21,3 mm)			578666 R	2 530,00	
M 18			578314	1 820,00	VMPz ¾" (OD 26,9 mm)			578664	2 530,00	
M 22			578316	1 820,00	Viega Megapress S (EN) ⁴⁾	VMP ¾" (OD 17,2 mm)			578660	2 530,00
M 28			578318	1 820,00	VMP ½" G (OD 21,3 mm)			578666 R	2 530,00	
M 35			578390	2 210,00	VMPz ¾" (OD 26,9 mm)			578664	2 530,00	
M 12 S (PR-2B)		Mini Z8	574736 R	1 540,00	Viega Pexfit	VX 16			578552	2 530,00
M 15 S (PR-2B)		Mini Z8	574738 R	1 540,00	VX 20			578554	2 530,00	
M 18 S (PR-2B)		Mini Z8	574740 R	1 540,00	VX 25			578556	2 530,00	
M 22 S (PR-2B)		Mini Z8	574742 R	1 540,00	Viega Pexfit G	VX 16			578552	2 530,00
M 28 S (PR-2B)		Mini Z8	574744 R	1 540,00	VX 20			578554	2 530,00	
M 35 S (PR-2B)		Mini Z8	574746 R	1 700,00	VX 25			578556	2 530,00	
Variotherm System TH		TH 11,6		578344	2 190,00	Viega Prestabo		V 12		578324
	TH 16		578352 R	2 190,00	V 15			578328	1 820,00	
	TH 20		578358 R	2 190,00	V 18			578332	1 820,00	
	TH 16 S (PR-2B)**	Mini Z8	574782 R	1 540,00	V 22			578334	1 820,00	
	TH 20 S (PR-2B)**	Mini Z8	574788 R	1 540,00	V 28			578336	1 820,00	
VESBO CARBON	M 15		578312	1 820,00	Viega Profipress	V 12 S (PR-2B)	Mini Z8	574748 R	1 540,00	
	M 18		578314	1 820,00		V 15 S (PR-2B)	Mini Z8	574752 R	1 540,00	
	M 22		578316	1 820,00		V 18 S (PR-2B)	Mini Z8	574756 R	1 540,00	
	M 28		578318	1 820,00		V 22 S (PR-2B)	Mini Z8	574758 R	1 540,00	
	M 35		578390	2 210,00		V 28 S (PR-2B)	Mini Z8	574760 R	1 540,00	
	M 15 S (PR-2B)	Mini Z8	574738 R	1 540,00		V 12		578324	1 820,00	
	M 18 S (PR-2B)	Mini Z8	574740 R	1 540,00		VG 14		578338	1 820,00	
	M 22 S (PR-2B)	Mini Z8	574742 R	1 540,00		V 15		578328	1 820,00	
	M 28 S (PR-2B)	Mini Z8	574744 R	1 540,00		VG 16		578340	1 820,00	
	M 35 S (PR-2B)	Mini Z8	574746 R	1 700,00		V 18		578332	1 820,00	
VESBO INOX	M 15		578312	1 820,00	Viega Profipress G	V 22		578334	1 820,00	
	M 18		578314	1 820,00		V 28		578336	1 820,00	
	M 22		578316	1 820,00		V 35		578604	2 210,00	
	M 28		578318	1 820,00		V 12 S (PR-2B)	Mini Z8	574748 R	1 540,00	
	M 35		578390	2 210,00		VG 14 S (PR-2B)	Mini Z8	574750 R	1 540,00	
	M 15 S (PR-2B)	Mini Z8	574738 R	1 540,00		V 15 S (PR-2B)	Mini Z8	574752 R	1 540,00	
	M 18 S (PR-2B)	Mini Z8	574740 R	1 540,00		VG 16 S (PR-2B)	Mini Z8	574754 R	1 540,00	
	M 22 S (PR-2B)	Mini Z8	574742 R	1 540,00		V 18 S (PR-2B)	Mini Z8	574756 R	1 540,00	
	M 28 S (PR-2B)	Mini Z8	574744 R	1 540,00		V 22 S (PR-2B)	Mini Z8	574758 R	1 540,00	
	M 35 S (PR-2B)	Mini Z8	574746 R	1 700,00		V 28 S (PR-2B)	Mini Z8	574760 R	1 540,00	
VESBO MULTIPRESS TH-U	TH 16		578352 R	2 190,00	Viega Profipress S	V 35 S (PR-2B)	Mini Z8	574762 R	1 700,00	
	TH 20		578358 R	2 190,00		V 12		578324	1 820,00	
	TH 26		578362 R	2 190,00		V 15		578328	1 820,00	
	TH 32		578364	2 190,00		V 18		578332	1 820,00	
	TH 16 S (PR-2B)**	Mini Z8	574782 R	1 540,00		V 22		578334	1 820,00	
	TH 20 S (PR-2B)**	Mini Z8	574788 R	1 540,00		V 28		578336	1 820,00	
	TH 26 S (PR-2B)**	Mini Z8	574794 R	1 540,00		V 35		578604	2 210,00	
	TH 32 S (PR-2B)	Mini Z8	574798 R	1 700,00		V 12 S (PR-2B)	Mini Z8	574748 R	1 540,00	
	U 16		578374	2 050,00		V 15 S (PR-2B)	Mini Z8	574752 R	1 540,00	
	U 20		578378	2 050,00		VG 16 S (PR-2B)	Mini Z8	574754 R	1 540,00	
	U 26 ⁷⁾		578392	2 410,00		V 18 S (PR-2B)	Mini Z8	574756 R	1 540,00	
	U 32		578382	2 410,00		V 22 S (PR-2B)	Mini Z8	574758 R	1 540,00	
	VESBO VPREMIUM	U 16		578374		2 050,00	V 28 S (PR-2B)	Mini Z8	574760 R	1 540,00
U 20			578378	2 050,00	V 35 S (PR-2B)	Mini Z8	574762 R	1 700,00		
U 25			578380	2 050,00	Viega Profipress G	V 12		578324	1 820,00	
U 32			578382	2 410,00		VG 14		578338	1 820,00	
U 40			578386	2 930,00		V 15		578328	1 820,00	
Viega Fonterra	VX 12		578550	2 530,00		VG 16		578340	1 820,00	
	VP 14/15		578480	2 190,00		V 18		578332	1 820,00	
	VP 16/17		578482	2 190,00		V 22		578334	1 820,00	
	VP 20		578484	2 190,00		V 28		578336	1 820,00	
	VP 25		578486	2 190,00		V 35		578604	2 210,00	
Viega MegaPress (ASTM) ⁹⁾	VMP ½" G (OD 21,3 mm)		578666 R	2 530,00		Viega Profipress S	V 12 S (PR-2B)	Mini Z8	574748 R	1 540,00
	VMPz ¾" (OD 26,9 mm)		578664	2 530,00			V 15 S (PR-2B)	Mini Z8	574752 R	1 540,00
Viega MegaPress 304 FKM (ASTM) ⁹⁾	VMP ½" G (OD 21,3 mm)		578666 R	2 530,00			V 18 S (PR-2B)	Mini Z8	574756 R	1 540,00
	VMPz ¾" (OD 26,9 mm)		578664	2 530,00			V 22 S (PR-2B)	Mini Z8	574758 R	1 540,00
Viega MegaPress 316 (ASTM) ⁹⁾	VMP ½" G (OD 21,3 mm)		578666 R	2 530,00			V 28 S (PR-2B)	Mini Z8	574760 R	1 540,00
	VMPz ¾" (OD 26,9 mm)		578664	2 530,00	V 35 S (PR-2B)		Mini Z8	574762 R	1 700,00	

Pressfitting systems for gas installations may only be pressed with the pressing tongs Mini which are highlighted in yellow in the table.

Observe the national regulations. Read and observe the system provider's/manufacturer's instructions for use and assembly instructions.

** Can also be driven by the ROLLER'S Easy-Press manual radial press using the Z8 adapter tongs, see page 90. Observe the national regulations.

¹⁾ Only pressing tongs from designation "108" (1st quarter of 2008), "208" (2nd quarter of 2008) etc. can be used. The designation is stamped on every pressing jaw.

²⁾ For accommodating suitable pressing inserts.

³⁾ Only pressing tongs from designation "117" (1st quarter of 201), "217" (2nd quarter of 2017) etc. can be used. The designation is stamped on every pressing jaw.

⁴⁾ For pipes with the EN technical standard. Observe the system provider's/manufacturer's instructions for use.

⁵⁾ Only use Mini pressing tongs identified by "VMP ½" G" on the pressing jaws for gas installations.

⁷⁾ Previous designation: Mini C 26 pressing tongs

⁹⁾ For pipes with the ASTM technical standard. Observe the system provider's/manufacturer's instructions for use.

Suitability of the ROLLER'S pressing tools for pressfitting systems: Status 27.10.2023. The current status can be found on the Internet:

www.albert-roller.de → Downloads → Product Catalogues, Brochures → ROLLER Catalogue.

See page 79 for adapter tongs. Pressing tongs/pressing rings for other press fitting systems on request.

System	Pressing tongs Mini/pressing rings	Drive with adapter tongs	Art.-No.	kr
WEM	U 16		578374	2 050,00
WIELAND-WERKE cuprotherm CTX	TH 14		578348	2 190,00
	TH 16		578352 R	2 190,00
	TH 14 S (PR-2B)**	Mini Z8	574778 R	1 540,00
	TH 16 S (PR-2B)**	Mini Z8	574782 R	1 540,00
WKS-Press	TH 14		578348	2 190,00
	TH 16		578352 R	2 190,00
	TH 17		578354	2 190,00
	TH 20		578358 R	2 190,00
	TH 26		578362 R	2 190,00
	TH 32		578364	2 190,00
	TH 40		578624	2 900,00
	TH 16		578352 R	2 190,00
WÜRTH Würth	TH 20		578358 R	2 190,00
	TH 26		578362 R	2 190,00
	HE 32		578370 R	2 630,00

X

XtraConnect	F 16		578456	2 090,00
	F 20		578460	2 090,00
	F 26		578462	2 260,00
	F 32		578464	2 260,00
	F 16 S (PR-2B)**	Mini Z8	574728 R	1 540,00
	F 20 S (PR-2B)**	Mini Z8	574730 R	1 540,00
	F 26 S (PR-2B)**	Mini Z8	574732 R	1 540,00
	F 32 S (PR-2B)	Mini Z8	574734 R	1 700,00
	H 16		578400	1 980,00
	H 20		578406	1 980,00
	H 26		578410	1 980,00
	H 32		578412	1 980,00
	TH 16		578352 R	2 190,00
	TH 20		578358 R	2 190,00
	TH 26		578362 R	2 190,00
	TH 32		578364	2 190,00
	TH 16 S (PR-2B)**	Mini Z8	574782 R	1 540,00
	TH 20 S (PR-2B)**	Mini Z8	574788 R	1 540,00
	TH 26 S (PR-2B)**	Mini Z8	574794 R	1 540,00
	TH 32 S (PR-2B)	Mini Z8	574798 R	1 700,00
	U 16		578374	2 050,00
	U 20		578378	2 050,00
	(DN 26) U 25		578380	2 050,00
	U 32		578382	2 410,00
	VP 16		578482	2 190,00
	VP 20		578484	2 190,00
	VP 32		578488	2 420,00

Y

YX COPPER	Yz 16 UNI	578740	2 280,00
UNIPEX Water & Gas (AUS)	Yz 20 UNI	578742	2 280,00
	Yz 25 UNI	578744	2 280,00
	Yz 32 UNI	578746	2 280,00

System	Pressing tongs Mini/pressing rings	Drive with adapter tongs	Art.-No.	kr
Z				
ZEWOTHERM Zewo Press Premium	TH 12		578346	2 190,00
	TH 16		578352 R	2 190,00
	TH 17		578354	2 190,00
	TH 18		578356	2 190,00
	TH 20		578358 R	2 190,00
	TH 26		578362 R	2 190,00
	TH 32		578364	2 190,00
	TH 40		578624	2 900,00
	TH 12 S (PR-2B)**	Mini Z8	574776 R	1 540,00
	TH 16 S (PR-2B)**	Mini Z8	574782 R	1 540,00
	TH 17 S (PR-2B)**	Mini Z8	574784 R	1 540,00
	TH 18 S (PR-2B)**	Mini Z8	574786 R	1 540,00
	TH 20 S (PR-2B)**	Mini Z8	574788 R	1 540,00
	TH 26 S (PR-2B)**	Mini Z8	574794 R	1 540,00
TH 32 S (PR-2B)	Mini Z8	574798 R	1 700,00	
ZEWOTHERM Zewo Press PPSU	TH 16		578352 R	2 190,00
	TH 20		578358 R	2 190,00
	TH 26		578362 R	2 190,00
	TH 32		578364	2 190,00
	TH 16 S (PR-2B)**	Mini Z8	574782 R	1 540,00
	TH 20 S (PR-2B)**	Mini Z8	574788 R	1 540,00
	TH 26 S (PR-2B)**	Mini Z8	574794 R	1 540,00
	TH 32 S (PR-2B)	Mini Z8	574798 R	1 700,00
ZURN	US ¾"		578534	2 490,00
INDUSTRIES	US ½"		578536	2 490,00
ZURN PEX	US ¾"		578538	2 490,00
	US 1"		578540	2 490,00

Pressfitting systems for gas installations may only be pressed with the pressing tongs Mini which are highlighted in yellow in the table.

Observe the national regulations. Read and observe the system provider's/manufacturer's instructions for use and assembly instructions.

** Can also be driven by the ROLLER'S Easy-Press manual radial press using the Z8 adapter tongs, see page 90. Observe the national regulations.

- ¹⁾ Only pressing tongs from designation "108" (1st quarter of 2008), "208" (2nd quarter of 2008) etc. can be used. The designation is stamped on every pressing jaw.
- ²⁾ For accommodating suitable pressing inserts.
- ³⁾ Only pressing tongs from designation "117" (1st quarter of 201), "217" (2nd quarter of 2017) etc. can be used. The designation is stamped on every pressing jaw.
- ⁴⁾ For pipes with the EN technical standard. Observe the system provider's/manufacturer's instructions for use.
- ⁶⁾ Only use Mini pressing tongs identified by "VMP ½" G" on the pressing jaws for gas installations.
- ⁷⁾ Previous designation: Mini C 26 pressing tongs
- ⁸⁾ For pipes with the ASTM technical standard. Observe the system provider's/manufacturer's instructions for use.

Suitability of the ROLLER'S pressing tools for pressfitting systems: Status 27.10.2023. The current status can be found on the Internet:

www.albert-roller.de → Downloads → Product Catalogues, Brochures → ROLLER Catalogue.

See page 79 for adapter tongs. Pressing tongs/pressing rings for other press fitting systems on request.



Accessories	Art.-No.	kr
Adapter tongs Mini Z8 for driving the ROLLER'S pressing rings S (PR-2B)	574700 R	1 790,00
Steel case with inlay for 8 pressing tongs Mini / cropping tongs Mini and shelf for pipe cutter up to Ø 42 mm	578295 A	1 200,00
Steel case with inlay for Mini Z8 adapter tongs and Z8 adapter tongs as well as 6 ROLLER'S pressing rings S (PR-2B)	574516 A	1 200,00
L-Boxx system case with inlay for 11 pressing tongs Mini / cropping tongs Mini and 6 pressing rings S (PR-2B)	578659 A	1 810,00
L-Boxx system case with inlay for Mini Z8 adapter tongs and Z8 adapter tongs as well as 14 ROLLER'S pressing rings S (PR-2B)	574704 A	1 810,00